



Also available with
DUAL | ZONE
DIMMING CONTROL

MODEL NO: _____
 TYPE: _____
 PROJECT: _____
 COMMENTS: _____

PERFORMANCE

Allows full brightness operation of fixtures on the switched designated 20-amp circuit from the generator or inverter supply regardless of switch position.

DESCRIPTION

The IOTA **ETS20** Emergency Lighting Control Device allows the use of auxiliary generator or inverter power on switched fixtures in power failure situations. The **ETS20** senses the loss of normal AC power and bypasses local control devices such as switches, occupancy sensors, or timers, providing emergency power to the fixtures regardless of the control setting. The **ETS20** allows for operation of the load at full light output until normal power is restored or for as long as the generator or inverter supply is available. The **ETS20** will work in conjunction with any fixture on the designated 20 amp circuit per the rated specifications. Allowing for the use of switched fixtures with a generator or inverter supply eliminates the need for night lights and promotes increased energy savings. Dimming relay model (**ETS20 DR**) available to accommodate dual-zone dimming.

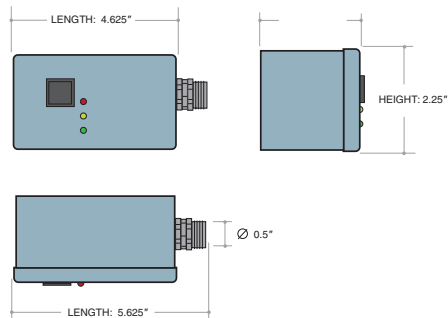
SPECIFICATIONS

Input Voltage	(Dual) 120/277V, 50/60Hz
Maximum Load Ratings:	
LED Driver	8A @120VAC, 50/60Hz per NEMA 410 8A @277VAC, 50/60Hz per NEMA 410
Ballast	20A @ 120/277VAC, 50/60Hz
Incandescent	10A @ 120VAC, 50/60Hz
Emergency Operation	The ETS20 will operate in conjunction with any lighting load as noted in the specifications in the designated 20 amp circuit for the duration of the auxiliary supply
Operating Temp	-20° to 55° C (-4° to 131° F)
Weight	1.0 lb.
Certifications	UL 924 Listed for U.S. and Canada Damp Location Rated UL 2043 Plenum Rated



DIMENSIONS

4.625" x 2.25" x 2.25"



PRODUCT ADVANTAGES

- **Increased Energy Savings**
Promotes energy savings by eliminating the need for always-on fixtures
- **Restore Local Lighting Control**
Occupants can control illumination within their lighting space without compromising emergency performance
- **Full Light Output**
Allows operation of emergency fixtures at full brightness regardless of switched or dimmed settings.
- **Remote Trigger Device Option**
Provided jumper leads allow for optional connection to another trigger device, such as alarm or fire panel

FEATURES

- UL 924 Listed
- Shunts local switch devices in the emergency mode allowing for full lumen output
- LED indicators for determining functional readiness and operation modes
- Galvanized steel case
- Simplified junction box installation
- Unit temperature withstand condition range of -20° to 55° C
- Rated for use in plenum and damp location applications
- Dual-Zone dimming bypass model also available
- Meets or exceeds all NEC, IBC, and Life Safety Code Emergency Lighting Requirements
- RoHS Compliant
- **5-Year Warranty.**

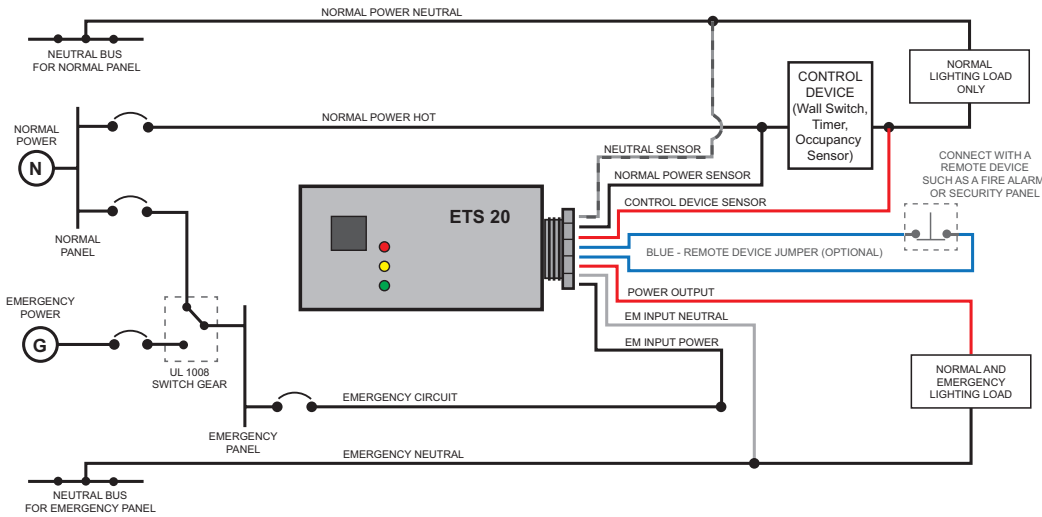


ETS20

Emergency Lighting Control Device for 20-Amp Circuit

WIRING

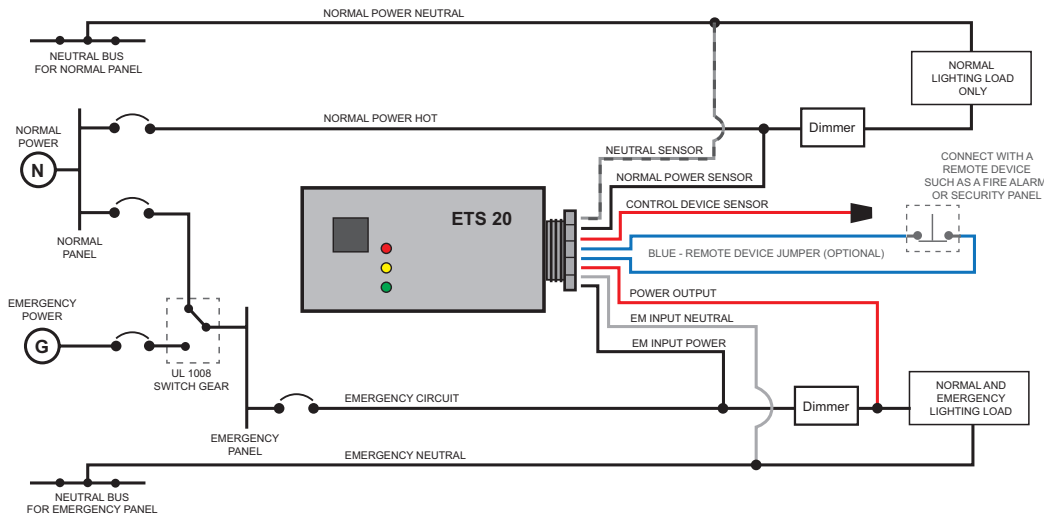
ETS20



Typical Application

During presence of normal power, the ETS20 senses the setting of the 'ON/OFF' control device through the red wire (Control Device Sensor) and operates the Normal/EM mode accordingly. When normal power is lost, the ETS20 allows operation of the Normal/EM load at full output from the auxiliary supply, regardless of control device status.

ETS20 with dimmer controls



Normal/EM Dimmer Control

The ETS20 can be used with dimming applications by adding a second dimmer device to the designated EM circuit. In this scenario, both the EM circuit and ETS20 power output are connected to the load. The red Control Device Sensor of the ETS20 remains disconnected and there is no power output from the ETS20 unless normal AC power is lost. If emergency power is activated, the ETS20 will then route power around the dimmer on the EM circuit.

Warranty: 5-Year Limited Warranty

Complete warranty terms located at www.acuitybrands.com/CustomResources/Terms_and_conditions.aspx

IOTA REV 052620