

QUALIFIED TO
NEMA 410
STANDARDS

IR IN-RUSH
CAPABILITY

DR DIMMING RELAY
OPTION AVAILABLE



MODEL NO: _____
TYPE: _____
PROJECT: _____
COMMENTS: _____

LOAD CAPABILITY

375 Watts

FIXTURE TYPES

LED

PRODUCT ADVANTAGES

- **Inrush accommodation allows operation of multiple LED fixtures with no circuit de-rating**
- **Full light output**
- **Also available with Dimming Relays for 0-10V dimming applications**

FEATURES

- Emergency lighting supplied from one convenient source
- Pure sine wave output
- Includes momentary contact test switch, yellow ready indicator, green inverter-on indicator, and red charging indicator
- Dual voltage 120/277 60Hz
- High efficiency pure sine wave inverter
- Variable-rate, temperature-compensated charger
- Valve Regulated Lead Acid (VRLA) battery provides long life and is maintenance free
- Line voltage allows for remote mounting of emergency fixtures at distances up to 1000 feet
- Resettable output circuit breaker provides protection against circuit overload
- Low Battery Voltage Disconnect and Line Latch Protection
- Allows for emergency operation of switched or unswitched fixtures
- Meets or exceeds all National Electrical Code and Life Safety Code Emergency Lighting Requirements
- Durable 16-gauge steel housing design with white semi-gloss powder-coat paint finish
- 3/7 Pro-Rata Warranty

IIS INVERTERS

DESCRIPTION

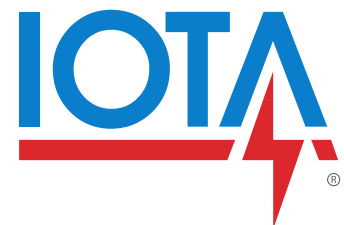
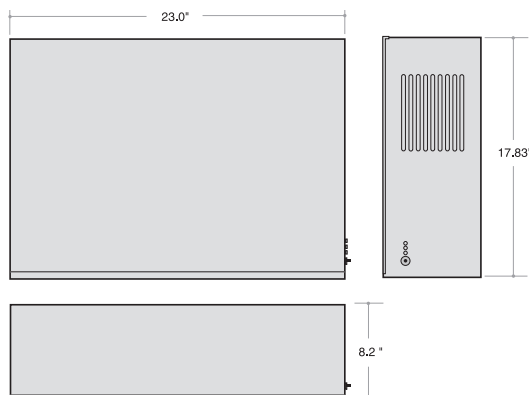
The IOTA **IIS 375 LED** is a UL Listed stand-alone sine wave output inverter designed to provide power to designated emergency lighting fixtures. In a power loss situation, the IOTA **IIS 375 LED** will supply the full **375W** of power from the onboard battery supply. The IOTA **IIS 375 LED** is specifically designed for LED applications and will prevent shutdown caused by inrush currents of LED drivers without de-rating load size from the full rated output. The **IIS 375 LED** is ideal for applications requiring an emergency source for lighting arrangements utilizing multiple LED fixture types, and will automatically run switched, normally-on, or normally-off designated emergency fixtures. The **IIS 375 LED** is available in a surface mount housing and comes with a three-year warranty and seven-year pro-rata battery warranty.

SPECIFICATIONS

Input Voltage	(Dual) 120/277V, 60Hz
Input Rating (bulk).....	500 Watts
Output Voltage	(Dual) 120/277V, 60Hz
Output Power	375 Watts per NEMA 410 (@ .9 leading to .9 lagging PF)
Lamps Operated	LED
Transfer Time	less than 1 second
Emergency Operation	90 minutes
Voltage Regulation (emergency).....	+/- 2% @ 15% to 110% load
Frequency Regulation (emergency).....	+/- .5%
Load Power Factor Range9 leading to .9 lagging
Operating Temp.....	20° to 30° C
Battery.....	Valve Regulated Lead Acid (VRLA)
Weight.....	114 lbs.
Approval.....	UL 924 Listed



DIMENSIONS



IIS 375 LED

375W SURFACE MOUNT UNIT INVERTER SYSTEM

ORDERING GUIDE

IIS 375 LED

DR Dimming Relay
(Optional) See below for application details.

(blank) No Dimming Relay.

COMPONENTS

- High-efficiency pure sine wave inverter
- Variable-rate, temperature-compensated charger
- 12V maintenance-free Valve Regulated Lead Acid (VRLA) battery

CONSTRUCTION

- 16-gauge steel housing

IIS 375 LED SAMPLE SPECIFICATION

Emergency lighting shall be provided by inverter unit equipment designed to operate designated LED fixtures on emergency power at their full nominal lumen rating during the full 90 minute emergency discharge cycle. System output will be rated at full 375 watts for 90 minutes and provided with an output circuit breaker for protection of overload or load fault conditions. The unit shall be able to accommodate cumulative inrush of the LED load without de-rating of the circuit from the full-rated output of the unit. The system's voltage rating shall be field selectable 120 or 277 VAC input/output.

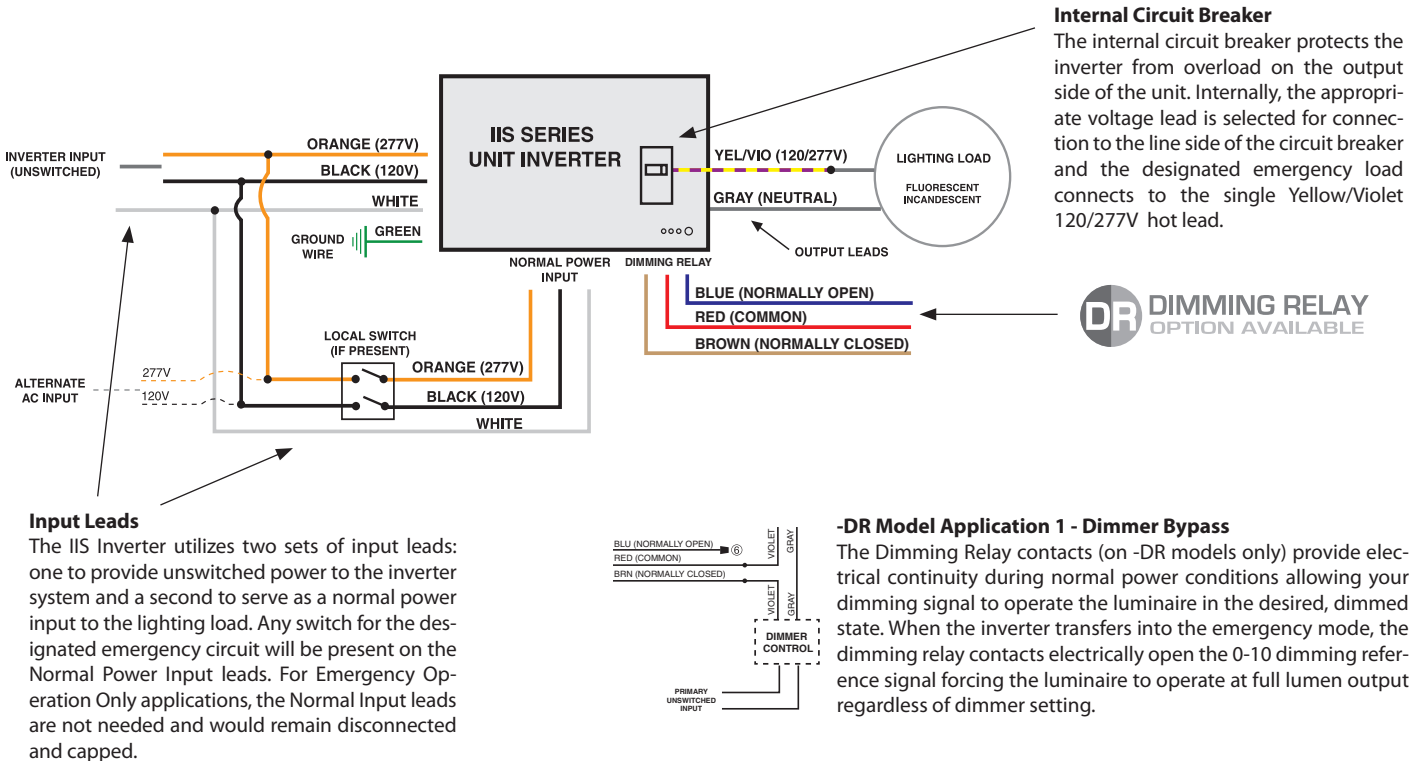
The inverter unit shall allow for connected emergency fixture(s) to be normally on, normally off, switched or dimmed without affecting lamp operation during a power failure. Upon utility power loss, the inverter unit shall operate the load at 100% of its full rated output regardless of the local switch position, and will provide power to emergency fixtures at distances of up to 1000 feet.

The housing shall be designed for surface mount installation requirements and manufactured using 16-gauge steel with a white hammer semi-gloss scratch-resistant baked-on powder coat paint finish.

The unit's electronics shall include a self-contained inverter section with a fully automatic, thermal-compensating variable-rate battery charger, AC lockout feature, low battery voltage disconnect, DC overload, short circuit and brownout protection as standard. The unit shall utilize a sealed lead calcium battery with a 10-year design life. The inverter system shall be UL 924 Listed and labeled. The unit shall be covered under a 3-year warranty on the electronics and battery and a 7-year pro-rata warranty on the battery. It shall meet or exceed the requirements of UL 924, NFPA 101 Life Safety Code, NFPA 70 National Electrical Code, OSHA and State and Local codes.

The inverter unit shall be IOTA model **IIS 375 LED**.

TYPICAL WIRING



Warranty: 3-Year Limited Warranty

Complete warranty terms located at www.acuitybrands.com/CustomerResources/Terms_and_conditions.aspx