

**READ AND FOLLOW ALL SAFETY INSTRUCTIONS!
SAVE THESE INSTRUCTIONS AND DELIVER TO OWNER AFTER INSTALLATION**

- To reduce the risk of death, personal injury or property damage from fire, electric shock, falling parts, cuts/abrasions, and other hazards please read all warnings and instructions included with and on the fixture box and all fixture labels.
- Before installing, servicing, or performing routine maintenance upon this equipment, follow these general precautions.
- Installation and service of luminaires should be performed by a **qualified licensed electrician**.
- Maintenance of the luminaires should be performed by person(s) familiar with the luminaires' construction and operation and any hazards involved. Regular fixture maintenance programs are recommended.
- It will occasionally be necessary to clean the outside of the refractor/lens. Frequency of cleaning will depend on ambient dirt level and minimum light output which is acceptable to user. Refractor/lens should be washed in a solution of warm water and any mild, non-abrasive household detergent, rinsed with clean water and wiped dry. Should optical assembly become dirty on the inside, wipe refractor/lens and clean in above manner, replacing damaged gaskets as necessary.
- **DO NOT INSTALL DAMAGED PRODUCT!** This luminaire has been properly packed so that no parts should have been damaged during transit. Inspect to confirm. Any part damaged or broken during or after assembly should be replaced.
- Recycle: For information on how to recycle LED electronic products, please visit www.epa.gov.
- These instructions do not purport to cover all details or variations in equipment nor to provide every possible contingency to meet in connection with installation, operation, or maintenance. Should further information be desired or should particular problems arise which are not covered sufficiently for the purchaser's or owner's purposes, this matter should be referred to Acuity Brands Lighting, Inc.



**WARNING
RISK OF ELECTRIC SHOCK**

- ✓ Disconnect or turn off power before installation or servicing.
- ✓ Verify that supply voltage is correct by comparing it with the luminaire label information.
- ✓ Make all electrical and grounded connections in accordance with the National Electrical Code (NEC) and any applicable local code requirements.
- ✓ All wiring connections should be capped with UL approved recognized wire connectors.



**WARNING
RISK OF BURN**

- ✓ Allow lamp/fixture to cool before handling. Do not touch enclosure or light source.
- ✓ Do not exceed maximum wattage marked on luminaire label.
- ✓ Follow all manufacturer's warnings, recommendations and restrictions for: driver type, burning position, mounting locations/methods, replacement and recycling.



**CAUTION
RISK OF INJURY**

- ✓ Wear gloves and safety glasses at all times when removing luminaire from carton, installing, servicing or performing maintenance.
- ✓ Avoid direct eye exposure to the light source while it is on.



**CAUTION
RISK OF FIRE**

- ✓ Keep combustible and other materials that can burn, away from lamp/lens.
- ✓ Do not operate in close proximity to persons, combustible materials or substances affected by heat or drying.

- ✓ Never connect components under load.
- ✓ Do not mount or support these fixtures in a manner that can cut the outer jacket or damage wire insulation.
- ✓ Controls for dimming, auto-sensing, or remote control of a luminaire that are not factory-wired to the luminaire must be checked for compatibility with the luminaire prior to installation. LED fixtures must be powered directly off a switched circuit.
- ✓ Unless individual product specifications deem otherwise: Do not restrict fixture ventilation. Allow for some volume of airspace around fixture. Avoid covering LED fixtures with insulation, foam, or other material that will prevent convection or conduction cooling.
- ✓ Unless individual product specifications deem otherwise: Do not exceed fixtures maximum ambient temperature.
- ✓ Only use fixture in its intended location.
- ✓ LED products are Polarity Sensitive. Ensure proper Polarity before installation.
- ✓ Electrostatic Discharge (ESD): ESD can damage LED fixtures. Personal grounding equipment must be worn during all installation or servicing of the unit.
- ✓ Do not touch individual electrical components as this can cause ESD, shorten lamp life, or alter performance.
- ✓ Some components inside the fixture may not be serviceable. In the unlikely event your unit may require service, stop using the unit immediately and contact an ABL representative for assistance.
- ✓ Always read the fixtures complete installation instructions prior to installation for any additional fixture specific warnings.
- ✓ Always ensure that the electrical distribution system is up to NEC (and any applicable local code) requirements.
- ✓ Verify that power distribution system has proper grounding. Lack of proper earth ground can lead to fixture failure and may void warranty.

All luminaires that contain electronic devices that generate frequencies above 9kHz from any component within the luminaire comply with Part 15 of the FCC Rules. Operation is subject to the following two conditions:

- (1) This device may not cause harmful interference
- (2) This device must accept any interference received, including interference that may cause undesired operation

CAN ICES-005 (A) / NMB-005 (A)

Failure to follow any of these instructions could void product warranties. For a complete listing of product Terms and Conditions, please visit www.acuitybrands.com.

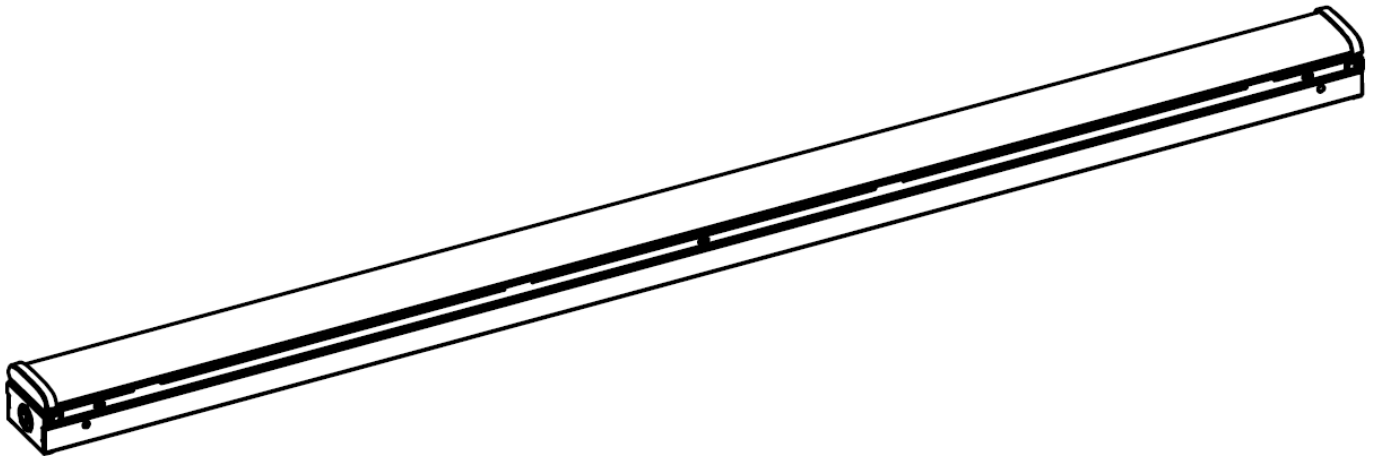
Our Brands	Indoor/Outdoor Lithonia Lighting Carandini Holophane RELOC Light Concepts	Indoor Lighting Gotham Mark Architectural Lighting Peerless Renaissance Lighting Winona Lighting	Outdoor Lighting American Electric Lighting Antique Street Lamps Hydrel Tersen	Controls DARK TO LIGHT LC&D ROAM Sensor Switch Synergy	Daylighting SunOptics
------------	------------------------------------------------------------------------------------------	-----------------------------------------------------------------------------------------------------------------	--------------------------------------------------------------------------------------------	-----------------------------------------------------------------------	--------------------------

Acuity Brands Lighting, Inc. assumes no responsibility for claims arising out of improper or careless installation or handling of its products.
ABL LED General Warnings, Form No. 503.203

© 2010, 2016 Acuity Brands Lighting, Inc. All rights reserved. 12/01/10

CSS

Contractor Single Strip LED Luminaire Installation Instructions



When handling the fixture during unpacking and installation take precautions of the plastic Lens and plastic end caps. Dropping the fixture or excess force on the end caps or lens can cause damage.

Removing the lens from the Wireway Cover Assembly during installation exposes the LED's and puts them at risk for damage. Damage to the LEDs caused during installation will not be covered under the warranty.

When handling a fixture that includes the Vertex sensor during unpacking and installation, take precautions with the sensor. The sensor must be protected from damage during installation.

INSTALLATION FIGURES

REQUIRED TOOLS
HERRAMIENTAS REQUERIDAS
OUTILS REQUIS



FIXTURE PACKING LIST

Description	Quantity
1) Housing Assembly.....	1
2) Wireway Cover Assembly.....	1
2) Wireway Cover Assembly (L96)	2
3) LED Driver.....	1
4) Alignment Bracket*	1
5) Bracket Screw*	2

*Contained in Part Packs

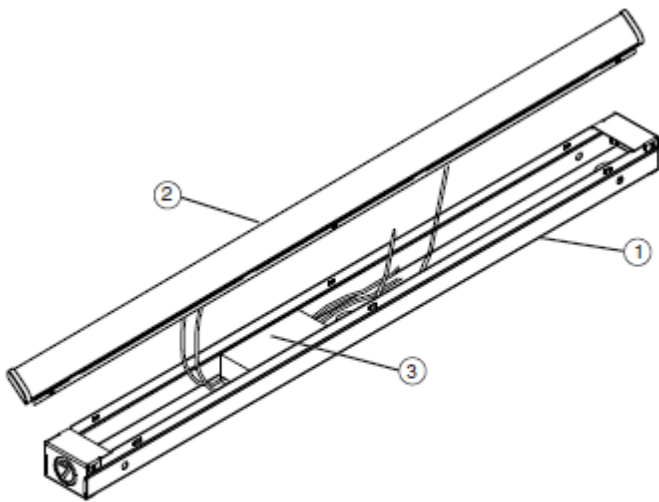


Figure 1

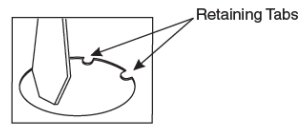


Figure 2

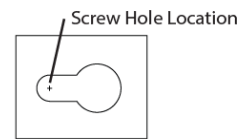


Figure 3

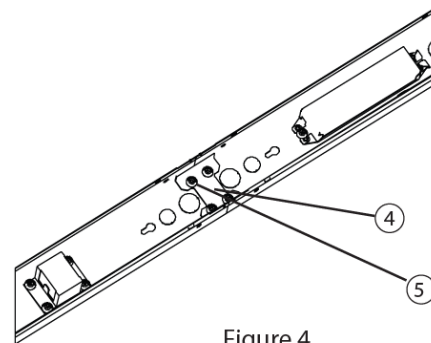


Figure 4

STEP-BY-STEP GUIDE

1. Remove fixture components and parts pack(s). Check that all parts are included. **See Fig. 1.**

Note: Turn off power at circuit breaker box!

2. **Remove Wireway Cover Assembly (2) by lifting upward** on exposed edges of part. Start in the middle and work outward. Disconnect Wireway Cover Assembly from Housing Assembly.

NOTE - For switchable configurations, LED boards are specific to the generation of switching module located in the channel. If multiple generations of the switching module are present, do NOT mix cover assemblies during installation. Failure to do so will result in incorrect color temperature outputs. See page 6.

3. **Disconnect Wireway Cover Assembly from Fixture Housing** by pinching Orange or Red connector on Wiring Harness.
4. **Determine appropriate knockout** on Housing assembly (1) for removal in relationship to incoming power supply. (Knockouts are located on each end and back of the fixture.)

To remove knockouts:

Place standard screwdriver on edge of circle (on opposite side from retaining tabs) and gently strike with hammer. Grip edge with pliers and flex back and forth until removed. **See Fig. 2.**

5. **If using romex strain relief bushing**, install the bushing into the open hole.
6. **Insert house power supply cable** through open hole or strain relief bushing.
7. **Position the Fixture Housing (1) against** the mounting surface and with a pencil, mark the screw hole locations to be located at the narrow section of the keyholes. **See Fig. 3.**
8. **Using a drill with a 1/16" drill bit**, make two small pilot holes at the marked screw hole locations. If drill bit does not encounter a stud or wood surface, use toggle bolts or suitable fastener depending on structural conditions. If drill bit does encounter wood surface, use #10 wood screw.
9. **Partially install the Mounting Screws.** Position the Fixture Housing against the mounting surface with the screw heads through the keyhole mounting holes. Slide the fixture until the screw heads are through the narrow section of the key holes. Finish tightening the screws to secure the fixture against the mounting surface.

CONTINUOUS ROW MOUNTING

10. **Remove wireway cover** and end caps. Ensure the ends of the continuous row fixture have end caps replaced.
11. **Attach continuous row bracket (9)** as seen in Figure 4.
12. **Ensure all electrical connections are made** and replace wireway covers.

WIRING AND FIXTURE OPERATION CAUTION:

Connect fixture to supply wires rated for at least 90°C (194°F).

Do not use fixture on line-voltage dimming circuits.

13. **Cut supply cable to desired length.** Strip black and white wire leads with wire strippers to expose 3/8"-7/16" of bare metal.
14. **Using wirenuts/connectors (not supplied), connect supply** (house) wires to fixture wires - white to white, black to black, and green to green or bare copper ground wire.
15. **Bundle wires in tight grouping to be** out of the way and reinstall Wireway Cover assembly (2)

Trouble Shooting Guide

If this fixture fails to operate properly, use the guide below to diagnose and correct the problem.

- Verify that fixture is wired properly.
- Verify that fixture is grounded correctly.
- The line voltage at the fixture is correct.

If further assistance is required, contact:

Technical Support at: (800) 705-7378

If servicing fixture:

- For driver replacement see steps 2 and 11.
- For LED replacement see step 2 and note that entire Wireway Cover Assembly will be replaced.

Switchable Settings

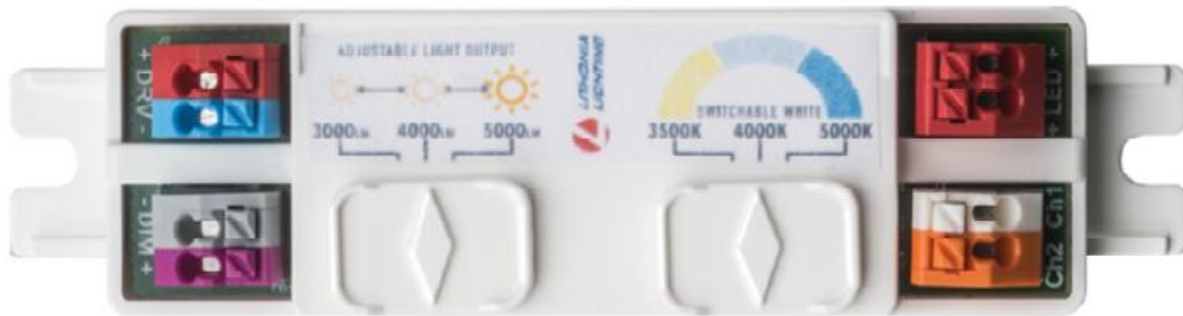


WARNING: RISK OF ELECTRIC SHOCK

- ✓ Disconnect power before adjusting color temperature or intensity switches.

Switchable Option

GEN1 SWITCHING MODULE:



Matching LED Board Part #: 501-01225-005

GEN2 SWITCHING MODULE:



Matching LED Board Part #: 501-01225-009

If cover assemblies are mixed during installation, remove the lens to view the LED board part number and match it to the appropriate switch located in fixture channel as shown above.

Switchable Setting – Cont.

Fixtures ship with both switches in the center positions: L24 = 2000LM & 4000K, L48 = 4000LM & 4000K, L96 = 8000LM & 4000K.



Moving Left Switch
changes Lumen
Output/Intensity

Moving Right Switch
changes CCT (Color
Temperature)

Switch Positions



TOP



CENTER



BOTTOM

Switchable Settings – Cont.



WARNING: RISK OF ELECTRIC SHOCK

- ✓ Disconnect power before adjusting color temperature or intensity switches.

Switch Settings

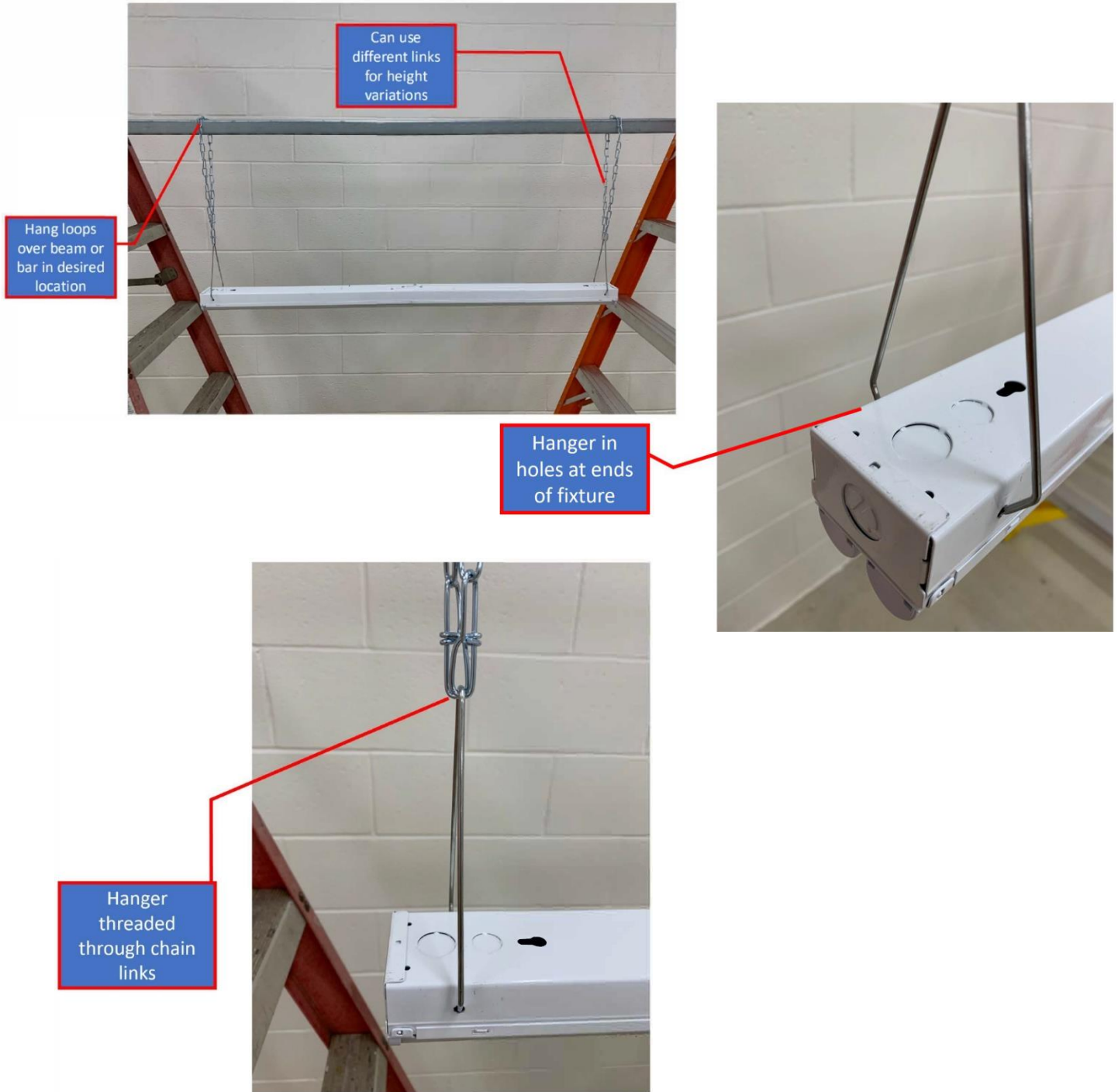
Example: If 4000LM and 4000K is desired then both switches would be moved to the Center positions.

For all possible settings and combinations see the table below.

2ft Lumens	4ft Lumens	8ft Lumens	Left Switch	Right Switch	CCT
1500LM	3000LM	6000LM	Bottom	Bottom	3500K
2000LM	4000LM	8000LM	Center	Bottom	3500K
2500LM	5000LM	10000LM	Top	Bottom	3500K
1500LM	3000LM	6000LM	Bottom	Center	4000K
2000LM	4000LM	8000LM	Center	Center	4000K
2500LM	5000LM	10000LM	Top	Center	4000K
1500LM	3000LM	6000LM	Bottom	Top	5000K
2000LM	4000LM	8000LM	Center	Top	5000K
2500LM	5000LM	10000LM	Top	Top	5000K

CHAIN HANGER INSTALLATION VISUAL

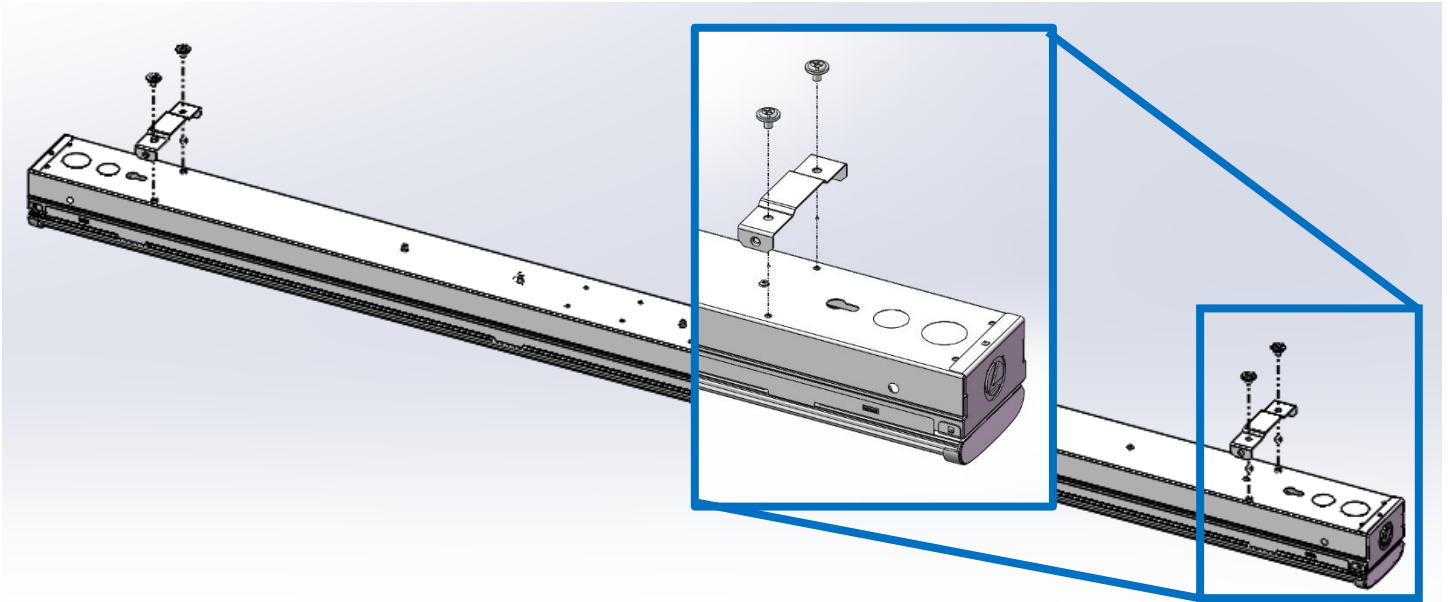
For Optional HC36 Hanger Chain



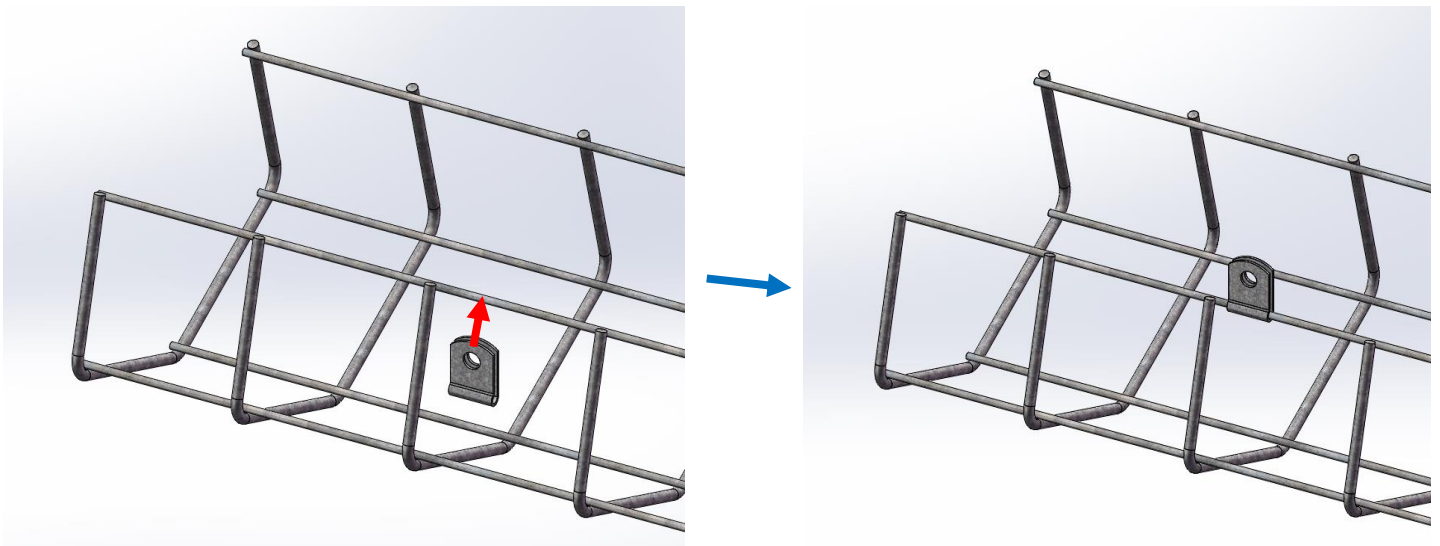
WIRE GUARD INSTALLATION

For Optional Wire Guard

1. Attach Wire Guard Mounting Brackets (2 per 4ft fixture or 4 per 8ft fixture) using provided screws to fixture housing as shown (4ft fixture shown).

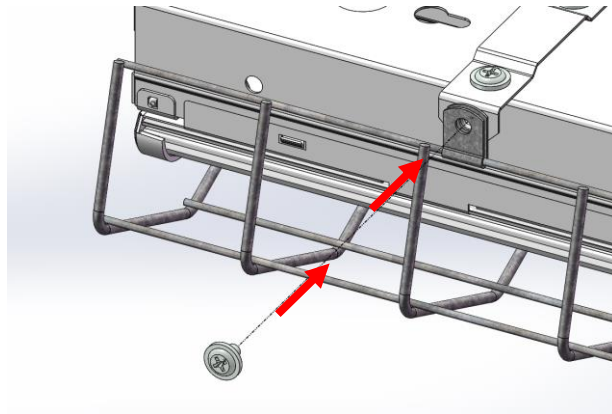


2. Slide Wire Guard Mounting Clip onto Wire Guard as shown.

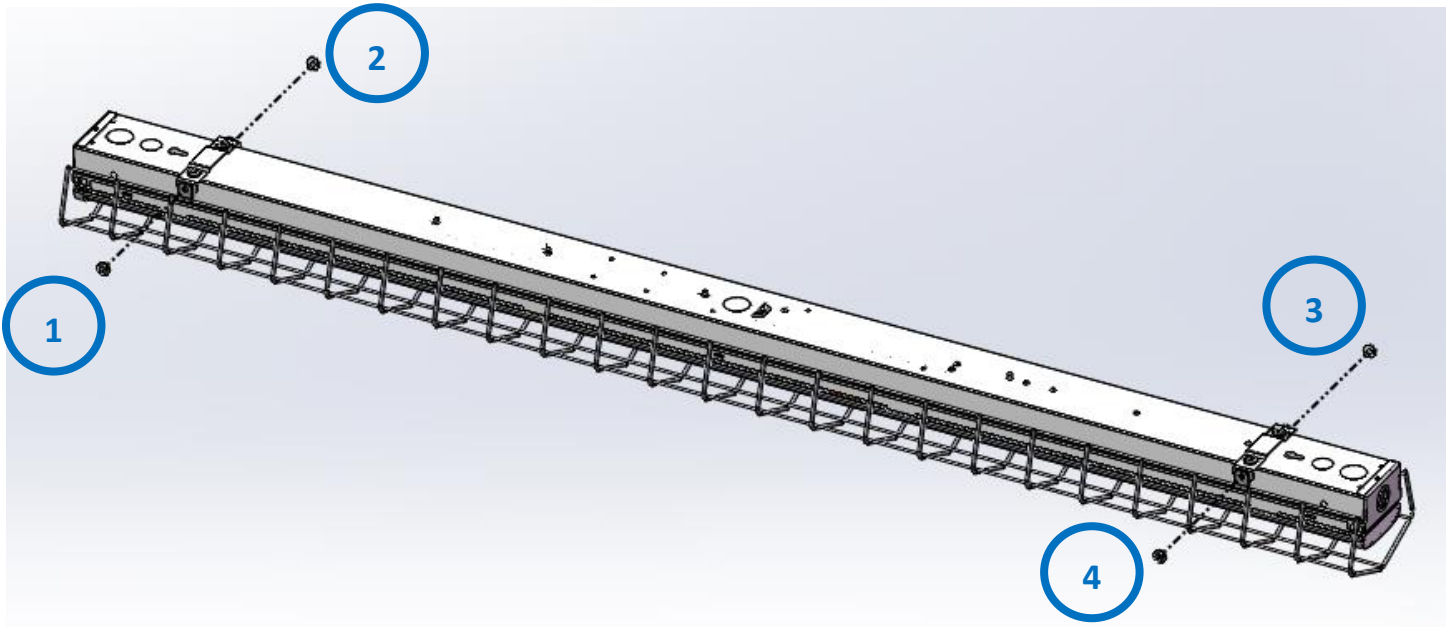


WIRE GUARD INSTALLATION – Cont.

3. Insert provided Screw through Mounting Clip into Mounting Bracket as shown and secure.



4. Repeat steps 2 and 3 to attach all provided Clips to Wire Guard and Brackets (4 clips per 4ft fixture or 8 per 8ft fixture).



SENSOR INSTALLATION



WARNING: RISK OF ELECTRIC SHOCK

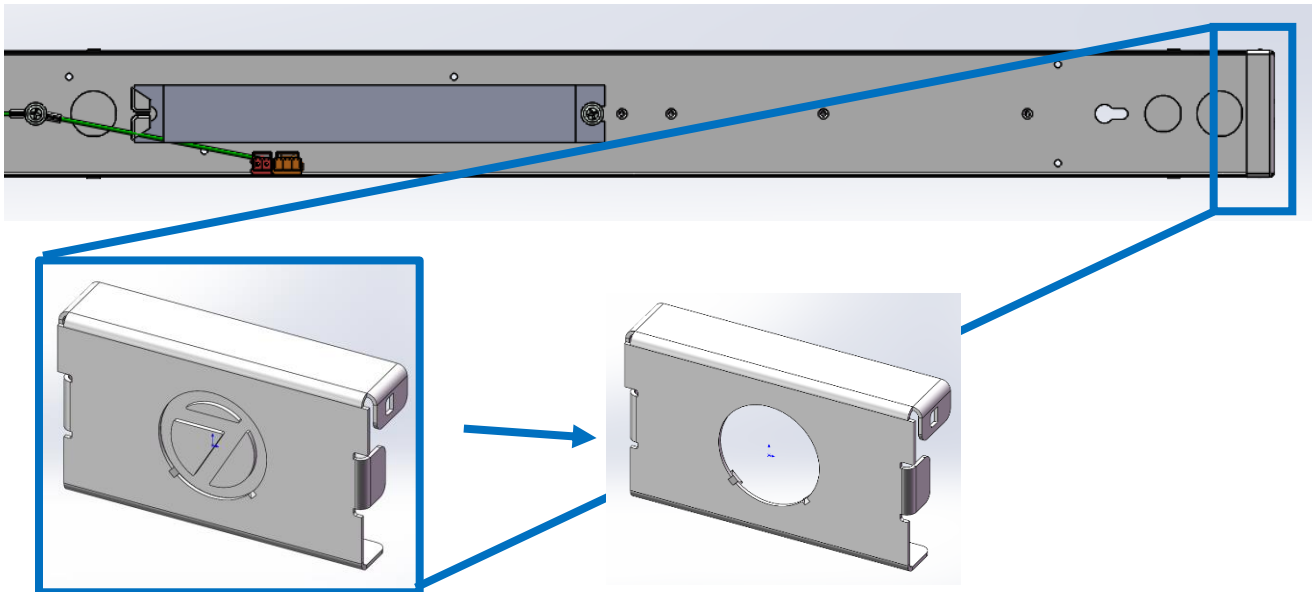
- ✓ Disconnect or turn off power before installation or servicing.

For Optional SFR and RPP Sensors

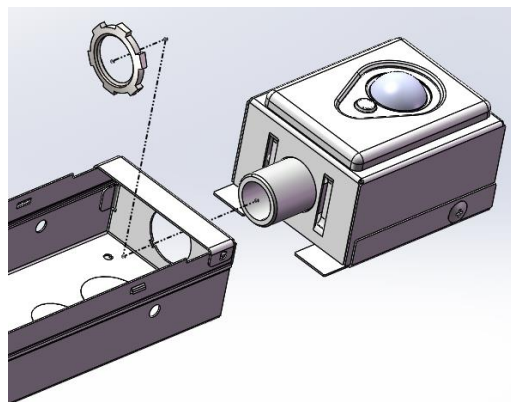
Note: Input power for continuous row must come through end-of-row fixture with sensor. SFR sensor operates On/Off only.

For UVOLT options, only input 120-277V into SFR Sensor. SFR sensor is rated only for 120-277V.

1. Remove Knock Out (KO) from Housing End Plate closest to Driver.
 - To remove KO place standard screwdriver on edge of circle (on opposite side from retaining tabs) and gently strike with hammer. Grip edge with pliers and flex back and forth until removed. See Fig. 2 above.



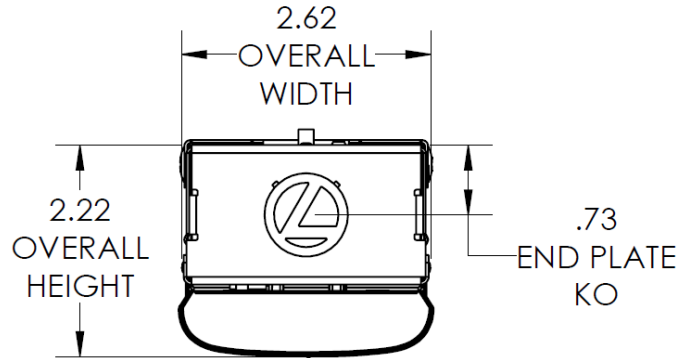
2. Remove the Conduit Nut from Sensor Assembly and insert Conduit Fitting through the open KO in the Housing End Plate.



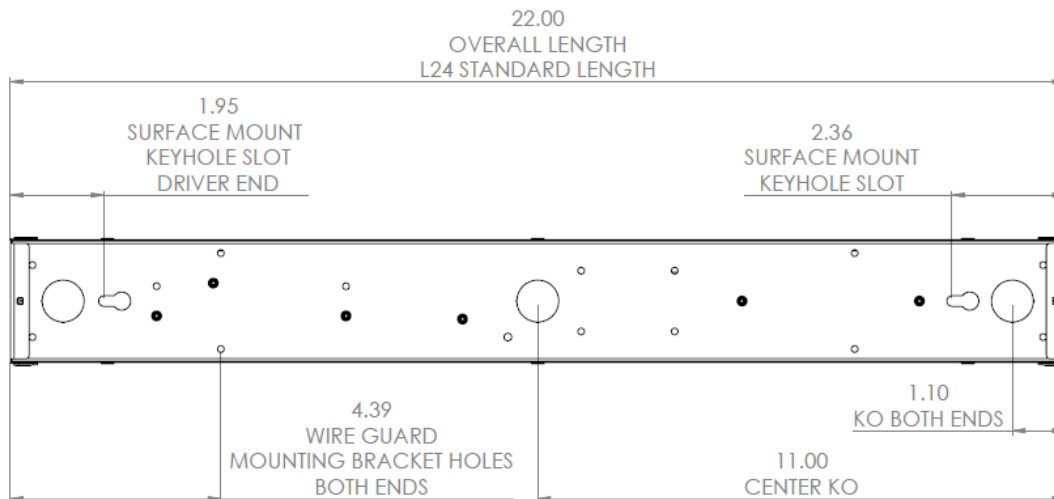
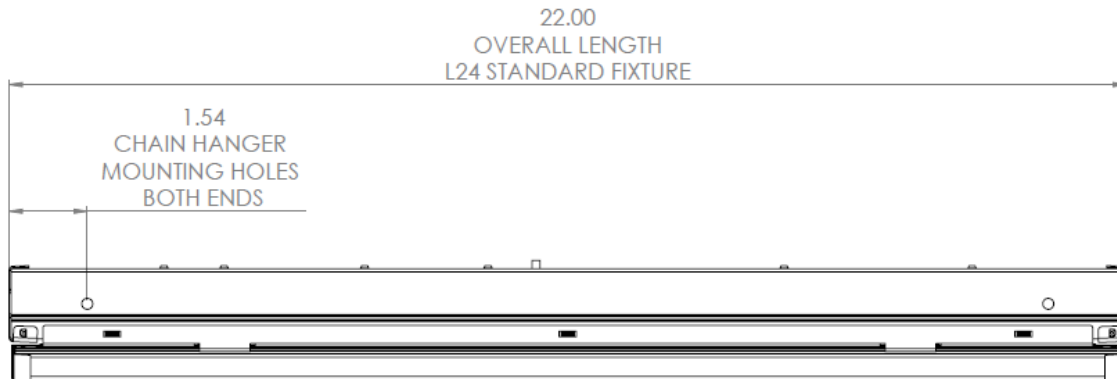
3. Re-attach the Conduit Nut to the Sensor Assembly inside the Fixture Housing as shown below.

DIMENSIONS

All fixtures:

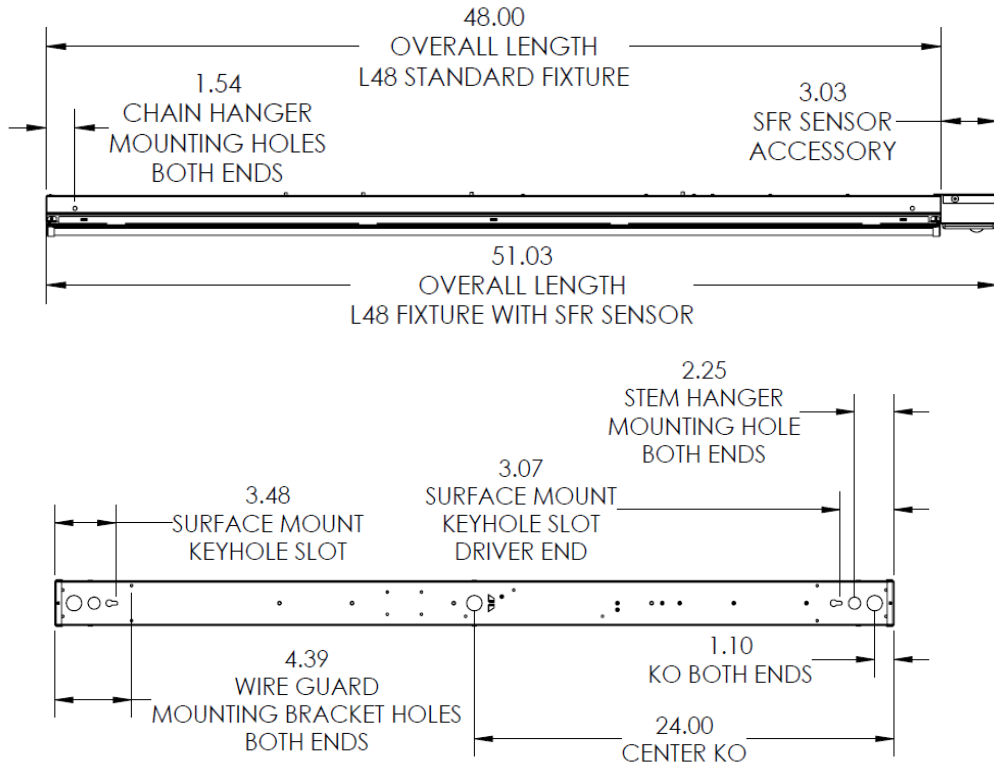


L24 fixture:

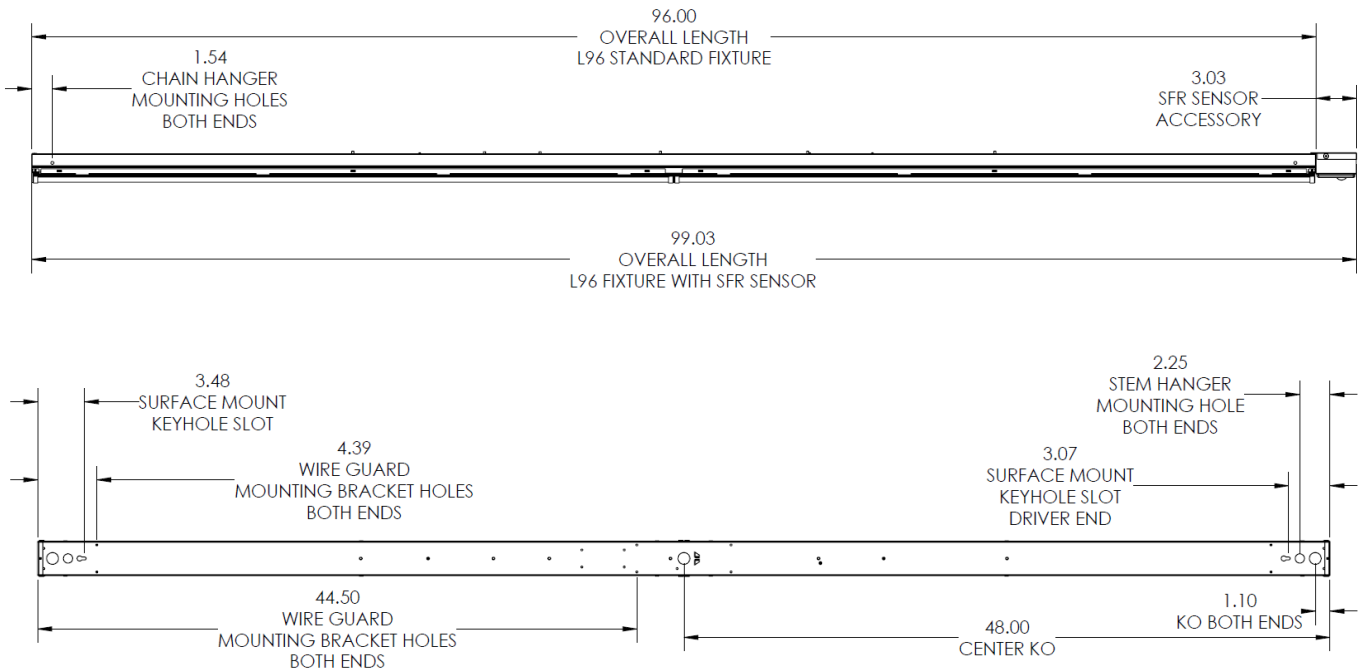


DIMENSIONS – Cont.

L48 fixture:



L96 fixture:



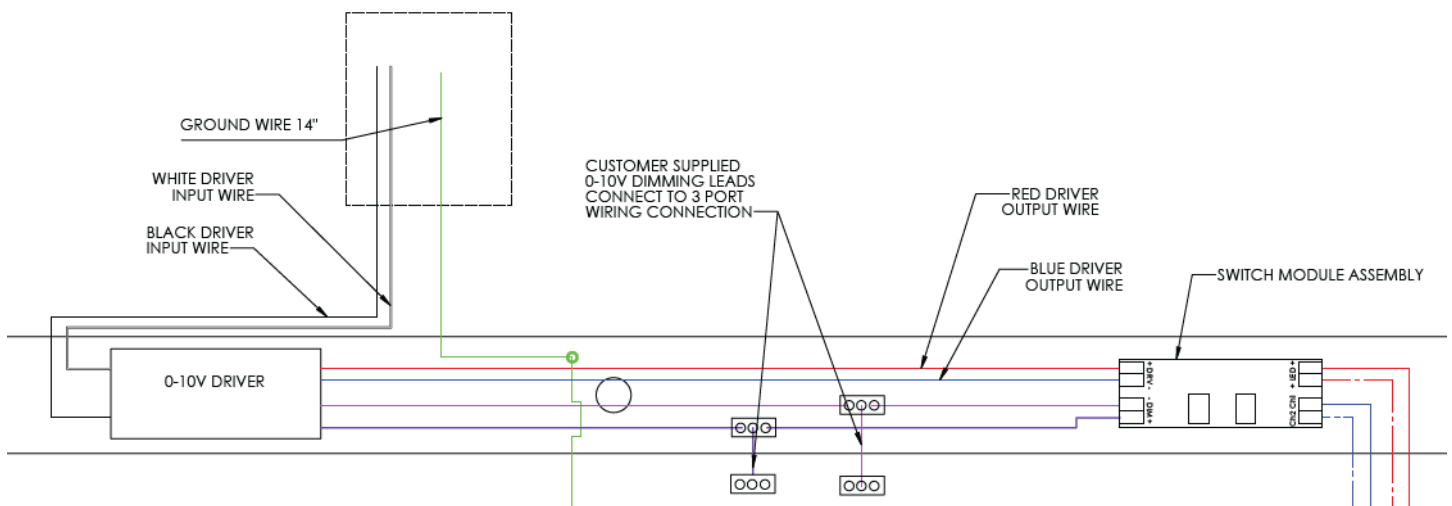
DIMMING

All fixtures: Dimmable

Switchable fixtures:

Maximum light level for switchable luminaires is controlled by the lumen setting on the switch. These products are capable of being dimmed down to 10% when used with 0-10V dimming controls. The fixture with the lowest switch setting on a circuit sets the maximum output for all other switchable fixtures on that same dimming circuit.

Switching luminaires are optimized for use with “sinking” dimming controls (most common in residential and commercial applications). If utilizing switchable luminaires in combination with “sourcing” dimming controls (most common in theatre applications), please ensure that no more than 5 dimming devices totaling more than 10mA source current (typical device is under 2mA) are used on a single dimming circuit.



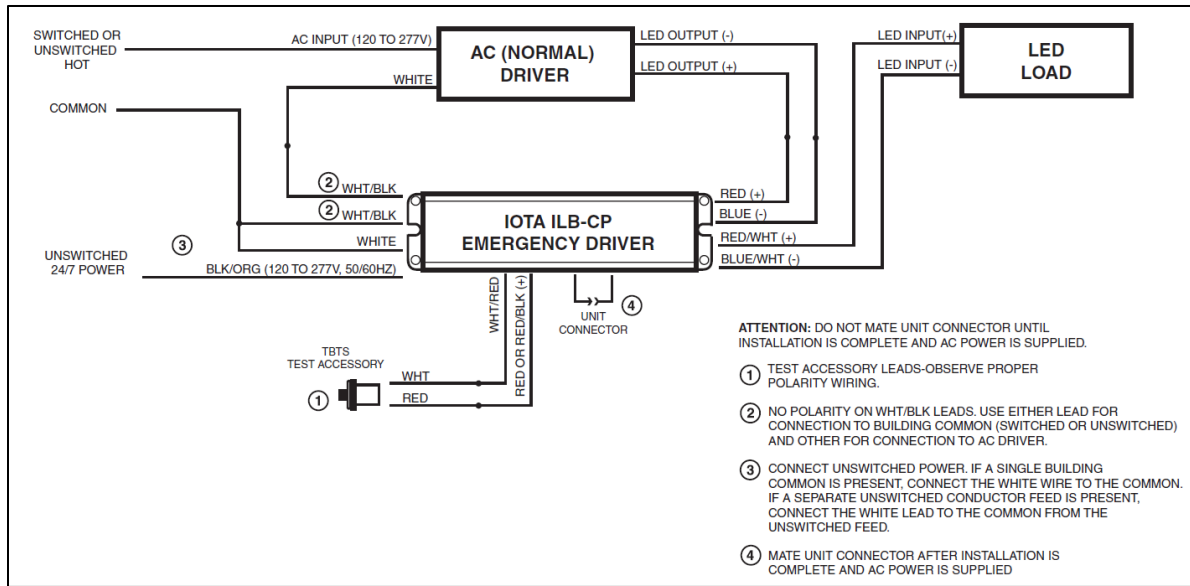
EMERGENCY OPTION (IE7WCP or IE10WCPHE)

Installation and wiring:

1. Install fixture per Step-by-Step guide but do not wire.
2. Connect unswitched power to the unswitched wire (orange/black). Connect switched power to the black wire, white wire to neutral/common, and green to the ground. Refer to the wiring diagram below for reference. Supply wires must meet applicable electrical codes and be rated for a minimum of 90°C.

Note: The Emergency Battery and Driver MUST be on the same branch circuit. The Emergency Battery requires an unswitched A.C. power source of 120 to 277 VAC, 50/60Hz. When used with switched fixtures, the Emergency Battery input must be wired ahead of the switch.

3. Join the Emergency Battery unit connector and reinstall the Wireway Cover Assembly.
4. When the installation is complete, switch the A.C. power on



Operation:

Normal Mode – A.C. power is present. The Diver operates the LED load as intended. The Emergency Battery is in the standby charging mode. The Test Switch will be lit providing a visual indication that the battery is being charged.

Emergency Mode – The A.C. power fails. The Emergency Battery senses the A.C. power failure and automatically switches to the Emergency Mode. One or multiple LEDs are illuminated, for a minimum of 90 minutes. When the A.C. power is restored, the Emergency Battery switches the system back to the Normal Mode and resumes battery charging.

Testing and Maintenance:

Pressing the Test Switch turns off the light on the Test Switch and forces the unit into emergency mode, interrupting power to the designated Driver. The LED load is now being lit by Emergency Battery. After releasing the Test Switch, the fixture returns to normal operation after a momentary delay. To simulate a “BLACK OUT” use the circuit breaker to turn off A.C. power.

Initial Testing – Allow the unit to charge approximately 1 hour, then conduct a short discharge test. Allow a 24 hour charge before conducting a one hour test.

Warranty and Technical Support

Warranty terms are located at the link below:
<http://www.acuitybrands.com/resources/terms-and-conditions>

For Technical Support:
Email techsupport-commercialindoor@acuitybrands.com or
Phone 1-800-705-SERV (7378)

CONTRACTOR RESOURCES

Check out helpful programs, tools, installation videos and more!

