

4426 SERIES

LED Wet Niche Low Voltage LED Fountain Monochromatic

HIGHLIGHTS

- Up to 1640 lumens
- CCTs: 30K, 41K, 53K, Blue, Green, Red & Limited Wavelength Amber
- Cast bronze fixture housing with stainless steel fasteners
- Stainless steel niche with cast bronze mounting ring
- Twist and lock mounting for ease of installation
- 12 volt fixture. Remote magnetic transformer required
- Fixture can be dimmed to 40% using standard reverse phase magnetic dimmer

5
YEAR
warranty



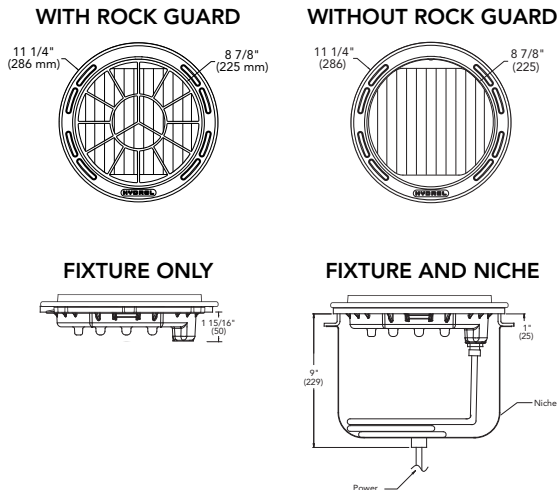
IP68



Specifications

Length:	11-1/4" 286 mm
Width:	11-1/4" 286 mm
Height:	9" 229 mm
Weight:	30lbs

DIMENSIONS



LUMEN PACKAGES

	FL	WFL
Watts	24	24
Delivered Lumens	783	1640
LPW	32.63	68.33
Peak Candela	2391	723

Note: Information based on 4X6LED WHT53K

ORDERING INFORMATION

EXAMPLE: 4426 SS 4X6LED WHT53K 12 FL CLS NM CSL50

Model	Material	LED type	LED Color	Voltage	Distribution
4426	B Bronze	3X6LED 18 watts	WHT30K 3000K white	12 Note: Remote magnetic transformer required. Fixture can be dimmed to 40% using standard reverse phase magnetic dimmers. Hydrel offers the T1900 series	FL Flood WFL Wide flood
	SWB Saltwater bronze	4X6LED 24 watts	WHT41K 4100K white		
	SS Stainless steel		WHT53K 5300K white		
	Note: SWB and SS material are not available with RG		AMBLW Limited Wavelength Amber		
			BLU Blue		
		GRN Green			
		RED Red			

Lens	Mounting	Accessories	Cord Set Length	Listing
CLS Convex linear spread lens	NM Niche mount	RG Rock guard Note: RG is optional on wall mounted fixtures, but it is required on floor mounted fixtures.	CSL 35'-120' of cord available in 5' increments	CSA Optional Canadian listing (for sale in Canada only)

ELECTRICAL LOAD

Light Engines	System Watts	Current (A)
		12V
3X6LED	18W	1.5
4X6LED	24W	2.0

LUMEN AMBIENT TEMPERATURE (LAT) MULTIPLIERS

Use these factors to determine relative lumen output for average ambient temperatures from 0-40°C (32-104°F).

Ambient	Lumen Multiplier
0°C	1.02
10°C	1.01
20°C	1.00
25°C	1.00
30°C	0.99
40°C	0.98

PROJECTED LED LUMEN MAINTENANCE

Data references the extrapolated performance projections for the **Fixture** platform in a **25°C ambient**, based on 10,000 hours of LED testing (tested per IESNA LM-80-08 and projected per IESNA TM-21-11).

To calculate LLF, use the lumen maintenance factor that corresponds to the desired number of operating hours below. For other lumen maintenance values, contact factory.

Operating Hours	0	25,000	50,000	100,000
Lumen Maintenance Factor	1.00	0.98	0.97	0.95

PERFORMANCE DATA

LUMEN OUTPUT

Lumen values are from photometric tests performed in accordance with IESNA LM-79-08. Data is considered to be representative of the configurations shown, within the tolerances allowed by Lighting Facts. Actual performance may differ as a result of end-user environment and application. Contact factory for performance data on any configurations not shown here.

Performance Package	System Watts	Distribution Type	Field Angle		Beam Angle (50%)		WHT30K (3000 CCT, 70CRI)			WHT41K (4100 CCT, 70CRI)			WHT53K (5300 CCT, 70CRI)		
			°H	°V	°H	°V	Max Cd	Lumens	LPW	Max Cd	Lumens	LPW	Max Cd	Lumens	LPW
3X6LED	18W	FL	68°	42°	46°	18°	1078	354	19.64	1793	588	32.67	1793	588	32.67
		WFL	161°	135°	102°	85°	326	740	41.09	542	1230	68.33	542	1230	68.33
4X6LED	24W	FL	68°	42°	46°	18°	1438	471	19.62	2391	783	32.63	2391	783	32.63
		WFL	161°	135°	102°	85°	435	986	41.09	723	1640	68.33	723	1640	68.33

SPECIFICATIONS AND FEATURES

FIXTURE HOUSING & DOOR: Heavy wall cast bronze construction. Natural cast bronze finish or stainless steel finish.

NICHE: Stainless steel with cast bronze mounting ring which locks the fixture into position. Niche has four ears to tie to forms or steel structural rods. Pressure grounding lugs on interior and exterior surfaces. Niche conduit entrances are 3/4" NPT.

LED: 3X6LED is 18 watts and 4X6LED is 24 watts LED array available in 3000K CCT, 4100K CCT, 5300K CCT white or monochromatic amber, red, blue or green. (LED board included)

VOLTAGE: 12 Volt AC 50/60Hz. Remote transformer required.

LENS: 8-5/8" (219mm) diameter convex linear spread tempered glass.

GASKET: Single piece molded U-shaped silicone gasket.

CORD: Minimum of 35' of #16/3ST submersible rated cord for standard 120VAC line. 14/3 submersible rated cord for CSA. Cord entrance is epoxy encapsulated. Cord length must be specified. **NOTE:** Sufficient cord should be coiled in the niche to allow for the fixture to be removed and brought above water level for maintenance.

FACTORY LEAK TESTED: Fixtures are tested at 10 PSI (0.70kg/cm²) internal pressure while totally submerged in water.

ELECTRICAL: Fixture requires a step down isolated transformers rated for use with underwater fixtures. See Hydrel's [T1900](#) series of transformers for a suitable option. Fixture may be dimmed using magnetic reverse phase dimming system.

FASTENERS: Stainless Steel.

ACCESSORIES: Rock Guard: Cast bronze rock guard is required for floor mounted fixtures.

LISTING: cCSAus, submersible luminaire suitable for fountains, laboratory tests conducted by CSA to UL Standard UL-676 and UL-8750.

US PATENT: 7,680,816

GOVERNMENT PROCUREMENT

BAA – Buy America(n) Act: Product qualifies as a domestic end product under the Buy American Act as implemented in the FAR and DFARS. Product also qualifies as manufactured in the United States under DOT Buy America regulations.

BABA – Build America Buy America: Product qualifies as produced in the United States under the definitions of the Build America, Buy America Act.

Please refer to www.acuitybrands.com/resources/buy-american for additional information.

WARRANTY: 5-year limited warranty. This is the only warranty provided and no other statements in this specification sheet create any warranty of any kind. All other express and implied warranties are disclaimed. Complete warranty terms located at: www.acuitybrands.com/support/warranty/terms-and-conditions

NOTE: Actual performance may differ as a result of end-user environment and application. All values are design or typical values, measured under laboratory conditions at 25 °C. Specifications subject to change without notice.