

Catalog Number	
Notes	Type

Petrolux® LED High Bay

Hazardous Location for Demanding Environments

PXHH



Description

- For demanding environments with higher mounting heights where dust, dirt and moisture are a concern.
- Certain airborne contaminants may adversely affect the functioning of LEDs and other electronic components, depending on various factors such as concentrations of the contaminants, ventilation, and temperature at the end-user location. [Click here for a list of substances that may not be suitable for interaction with LEDs and other electronic components.](#)**

Optics

- Prismatic borosilicate glass directs light where needed and reduces harsh glare.
- Silicone rubber lens available that will not brown, chip, shatter or break.
- Six distributions (Type 5 low angle, Type 5 high angle, type 4 forward throw and Type 1 long and narrow) available to maximize versatility.
- Highly engineered LED system ensures superior uniformity and maximizes spacing.
- Lens assembly secured by stainless steel tamper-resistant Torx® T-20 screws.

Electrical

- Luminaire Surge Protection Level: Designed to withstand up to 10kV/5kA per ANSI C82.77-5-2015.
- 0-10V dimming driver is standard.
- 3000K, 4000K or 5000K CCT available.
- Fault-tolerant LED light engine continues to provide light even in the failure of one LED.
- Field Adjustable Output (AO) module - Onboard device that adjusts the light output and input wattage to meet site specific requirements. The AO module is preset at the factory to position number 8 (see chart).

Mechanical

- Super durable TGIC thermoset powder coat. Corrosion resistant finish is a five-stage pre-treating and painting process that yields over 5,000 hours salt rating per ASTM B117.
- Robust cast aluminum housing with low copper content (0.6% CU content) withstands harsh or hostile environments.
- Universal mount high profile top cover (ceiling/pendant). Optional universal arm available for wall/stanchion. Other mountings include, high profile yoke mount.
- Precise number of fins dissipate maximum amount of heat and achieve up to 149°F (65°C) ambient rating.
- Universal mount can be wall, stanchion, and angle mounted to accommodate a variety of arms.

Listings

- UL 844 Class I, Division 2 Groups A, B, C, D
- IP65 and IP66 rated. IP67 rated except when used with wall, stanchion, sensor, sub-station or hooks.
- Luminaire is 1G vibration rated.
- NEMA 4X
- Marine Rated
- IK rated (see chart on page 5)
- DesignLights Consortium® (DLC) Premium qualified product and DLC qualified product. Not all versions of this product may be DLC Premium qualified or DLC qualified. Please check the DLC Qualified Products List at www.designlights.org/QPL to confirm which versions are qualified.

Warranty

5-year limited warranty. Complete warranty terms located at: www.acuitybrands.com/support/customer-support/terms-and-conditions

Note: Actual performance may differ as a result of end-user environment and application.

All values are design or typical values, measured under laboratory conditions at 25 °C.



Typical Applications

- Petroleum refineries
- Ethanol facilities
- Chemical plants
- Power plants
- Textile mills
- Water and wastewater treatment facilities
- Parking Garages

Dimensions: Inches (millimeters) unless otherwise noted.

Universal Mount
 Diameter: 13.11 (332.99)
 Height: 13.25 (336.55)
 Weight: Approx. 36 - 39lbs. (16 - 18 kg) models with multiple options and accessories can weight up to 57lbs.
 Pallet quantity: 12 fixtures
 EPA: 1.36 sq. ft. wind loading

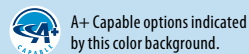
A+ Capable Luminaire

This item is an A+ capable luminaire, which has been designed and tested to provide consistent color appearance and out-of-the-box control compatibility with simple commissioning.

- All configurations of this luminaire meet the Acuity Brands' specification for chromatic consistency
- This luminaire is part of an A+ Certified solution for nLight® or XPoint™ Wireless control networks marked by a **shaded background***

To learn more about A+, visit www.acuitybrands.com/aplus.

*See ordering tree for details



ORDERING INFORMATION

Example: PXHH 18000LM MDU5 MVOLT 30K 80CRI UNM DNXD

Series	Lumens	Optics	Voltage	Color Temperature	Color Rendering Index	Mounting Options
PXHH	12000LM 12,000 lumens	FWD Forward throw distribution MDO Medium distribution, Minimal uplight, glass lens	MVOLT (120V-277V) HVOLT (347-480V)	30K 3000K CCT 40K 4000K CCT	70CRI 70CRI 80CRI 80CRI	UNM Universal Mount, high profile top cap ¹
	15000LM 15,000 lumens	MDU Medium distribution, glass lens, Type 5, uplight	120 120V	50K 5000K CCT	90CRI 90CRI	PM Pendant Mount, low profile top cap ²
	18000LM 18,000 lumens	MDUGLF Medium distribution, frosted glass lens	208 208V			YK90 Yoke Mount 0-90 Degree, high profile top cap ^{1,2}
	24000LM 24,000 lumens	ND Long and Narrow distribution, glass lens	240 240V			
	24000LM 24,000 lumens	WD Wide Distribution, glass lens	277 277V			
	28000LM 28,000 lumens	WDU Wide distribution, uplight	347 347V			
		SO Medium, silicone optic with minimal uplight	480 480V			
		SOND Long and Narrow, silicone optic				

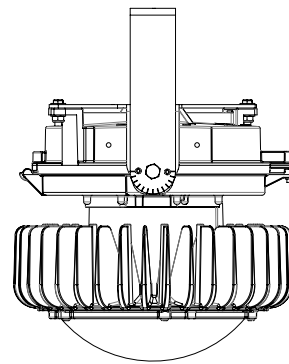
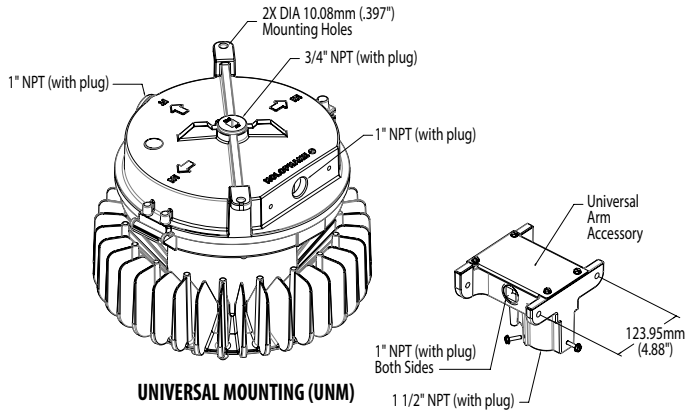
Options	Finish
<p><u>Wet Cordsets:</u>^{1,3}</p> <p>CDW-3 3-ft. cord, 3 conductor, wet location, white</p> <p>CD4K-3 3-ft. cord, 4 conductor, black</p> <p>CD4W-3 3-ft. cord, 4 Conductor, white</p> <p>CD5K-3 5-wire cord for use with external low voltage dimming controls, black</p> <p>CD5W-3 5-wire cord for use with external low voltage dimming controls, white</p> <p><u>Other Options:</u></p> <p>WGX Wire guard, factory installed</p> <p>UPS Uplight Shield</p> <p>NSG Non-silicone gasket</p> <p>EMD Ingress/Egress Marker decal</p> <p>BP Button style photo control</p>	<p>DGXD Gray super durable</p> <p>DWHXD White super durable</p> <p>DBXD Black super durable</p>
<p><u>Bluetooth Sensors:</u></p> <p>SBGR6BTP 360° Low Mount Occ Sensor, pre-wired; Bluetooth®</p> <p>SBGR6BTP HL 360° Low Mount Occ Sensor w/HL Default, pre-wired; Bluetooth®</p> <p>SBGR6BTP ADC 360° Low Mount Occ Sensor w/ADC Default, pre-wired; Bluetooth®</p> <p>SBGR6BTP ANL 360° High Mount Occ Sensor w/ANL Default, pre-wired; Bluetooth®</p>	

Accessories: Order as separate catalog number.	
07233-1-XX	Substation Arm for Single Luminaire, XX denotes color ⁴
07233-1-CTL-XX	Substation Arm for Single Luminaire with controls, XX denotes color ⁴
SCK36	36" safety chain kit
WGPXHW	Wire guard
UPSPXHW-XX	Uplight shield, XX denotes color
P3US-35-XX	35 degree universal mount arm, XX denotes color ⁵
P3US-XX	Universal Mount Arm, XX denotes color ⁵
PCPXHW CRXXX	Pendant Cone ⁶

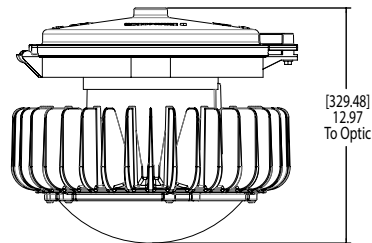
Notes

- 1 Not for use with PCPXHW accessory.
- 2 Not for use with P3US or P3US35 accessories.
- 3 Available with YK90 mounting option only.
- 4 Fixture must be mounted in down orientation only.
- 5 Requires UNM option.
- 6 Requires PM option. XX denotes color.

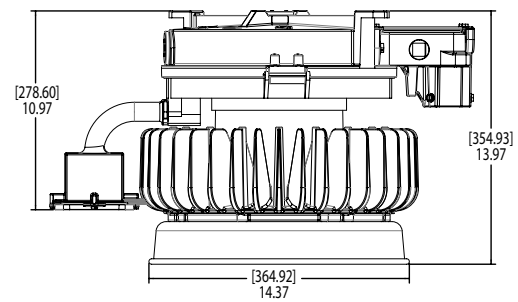
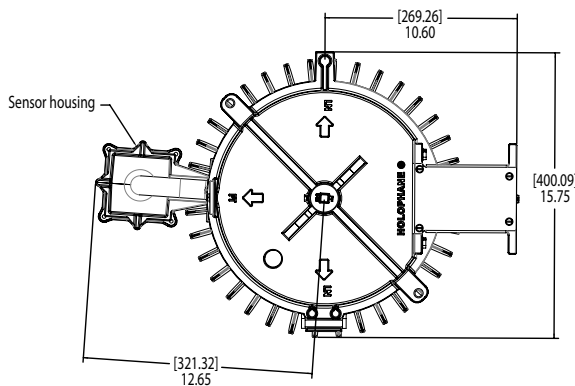
DIMENSIONAL DATA



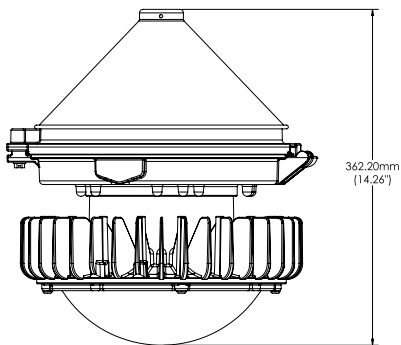
YOKE MOUNT 0-90 DEGREE (YK90)



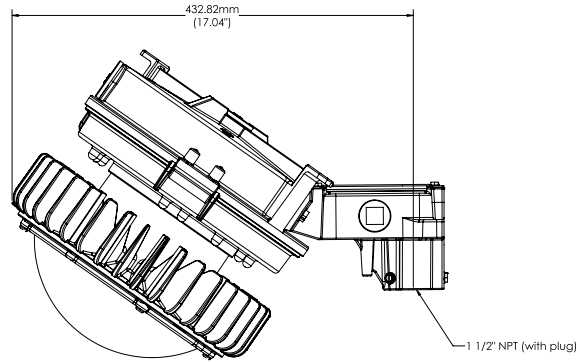
PENDANT MOUNTING (PM)



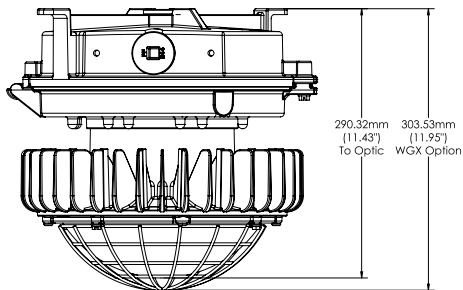
DIMENSIONAL DATA (continued)



PENDANT CONE ACCESSORY



ANGLED WALL MOUNT, 35°



WIRE GUARD OPTION (WGX)

OPERATIONAL DATA

Projected Lumen Maintenance (TM-21)

25°C Ambient						
Lumen Package	0 hours	15000 hours	30000 hours	45000 hours	60000 hours	100000 hours
12000LM	1	0.98	0.96	0.94	0.92	0.87
15000LM	1	0.98	0.96	0.94	0.92	0.87
18000LM	1	0.98	0.96	0.94	0.92	0.87
24000LM	1	0.98	0.96	0.94	0.92	0.87
28000LM	1	0.97	0.95	0.93	0.91	0.85

55°C Ambient						
Lumen Package	0 hours	15000 hours	30000 hours	45000 hours	60000 hours	100000 hours
12000L	1	0.97	0.95	0.92	0.9	0.84
15000L	1	0.97	0.94	0.92	0.89	0.83
18000L	1	0.97	0.94	0.91	0.88	0.81
24000L	1	0.97	0.94	0.91	0.88	0.81
28000L	1	0.96	0.93	0.89	0.86	0.78

Impact Resistance (IK Ratings)

Lens Material	Rating
Glass	IK06
Acrylic	IK07

Operating Characteristics

Package	Distribution	Delivered lumens at 3000K CCT 70CRI @ 25C	Delivered lumens at 3000K CCT 80CRI @ 25C	Delivered lumens at 3000K CCT 90CRI @ 25C	Delivered lumens at 4000K CCT 70CRI @ 25C	Delivered lumens at 4000K CCT 80CRI @ 25C	Delivered lumens at 4000K CCT 90CRI @ 25C	Delivered lumens at 5000K CCT 70CRI @ 25C	Delivered lumens at 5000K CCT 80CRI @ 25C	Delivered lumens at 5000K CCT 90CRI @ 25C	Wattage	LPW @ 4000K 80CRI
12000LM	FWD	10678	9957	8319	11595	10613	8581	11595	10678	9040	83	128
	MD	11896	11093	9269	12918	11823	9561	12918	11896	10072	83	142
	MDU5	11582	10800	9024	12577	11511	9308	12577	11582	9805	83	138
	MDUSGLF	10207	9518	7953	11083	10144	8203	11083	10207	8641	83	123
	ND	10308	9613	8032	11494	10245	8285	11194	10309	8728	83	123
	WD	11429	10658	8905	12411	11359	9185	12411	11429	9676	83	137
	WDU	11707	10917	9121	12712	11635	9409	12712	11707	9911	83	140
	SO	11719	10929	9131	12726	11648	9419	12726	11719	9922	83	140
	SOND	10721	9997	8353	11642	10655	10478	11642	10721	9077	83	128
15000LM	FWD	13517	12605	10532	14678	13434	10864	14678	13517	11444	106	127
	MD	15060	14043	11734	16353	14967	12103	16353	15060	12750	106	141
	MDU5	14661	13672	11423	15921	14571	11783	15921	14661	12413	106	138
	MDUSGLF	12921	12049	10067	14030	12841	10384	14030	12921	10939	106	121
	ND	13050	12169	10168	14171	12970	10488	14171	13050	11048	106	122
	WD	14468	13492	11273	15711	14379	11628	15711	14468	12249	106	136
	WDU	14820	13820	11547	16093	14729	11910	16093	14920	12547	106	140
	SO	14836	13834	11559	16110	14745	11923	16110	14836	12560	106	139
	SOND	13571	12656	10574	14737	13488	10907	14737	13571	11490	106	127
18000LM	FWD	15503	14457	12079	16834	15408	12459	16834	15503	13125	119	129
	MD	17272	16106	13457	18755	17166	13881	18755	17272	14623	119	144
	MDU5	16815	15680	13101	18259	16712	13514	18259	16815	14236	119	140
	MDUSGLF	14819	13819	11546	16091	14728	11909	16091	14819	12546	119	124
	ND	14967	13957	11661	16252	14875	12028	16252	14967	12671	119	125
	WD	16593	15473	12928	18018	16491	13336	18018	16593	14048	119	139
	WDU	16997	15850	13243	18456	16892	13660	18456	16997	14390	119	142
	SO	17015	15866	13257	18476	16910	13674	18476	17015	14405	119	142
	SOND	15565	14515	12127	16902	15469	12509	16902	15565	13178	119	130
24000LM	FWD	21115	19690	16451	22928	20985	16969	22928	21115	17876	163	129
	MD	23524	21936	18328	25544	23379	18906	25544	23524	19916	163	143
	MDU5	22902	21356	17844	24869	22761	18406	24869	22902	19389	163	140
	MDUSGLF	20183	18821	15725	21916	20059	16220	21916	20183	17087	163	123
	ND	20384	19009	15882	22135	20259	16383	22135	20385	17258	163	124
	WD	22560	21075	17608	24541	22461	18163	24541	22600	19134	163	138
	WDU	23149	21587	18036	25137	23007	18604	25137	23149	19599	163	141
	SO	23174	21610	18056	25164	23032	18624	25164	23174	19649	163	141
	SOND	21199	19769	16517	23020	21069	17037	23020	21119	17948	163	129
28000LM	FWD	24434	22785	19038	26533	24284	19637	26533	24434	20686	210	116
	MD	27222	25385	21210	29560	27055	21878	29560	27222	23047	210	129
	MDU5	26502	24714	20649	28778	26339	21299	28778	26502	22437	210	125
	MDUSGLF	23356	21779	18197	25362	23212	18770	25362	23356	19773	210	111
	ND	23589	21997	18379	25615	23444	18958	25615	23589	19971	210	112
	WD	26153	24388	20377	28399	25992	21018	28399	26153	22141	210	124
	WDU	26788	24980	20872	29089	26624	21529	29089	26788	22680	210	127
	SO	26817	25007	20894	29120	26652	21552	29120	26817	220704	210	127
	SOND	24532	22876	19114	26639	24381	19716	26639	24532	20769	210	116

Petrolux® LED

Hazardous Location for Demanding Environments



T codes

	40c	50c	60c	65c
12000LM	T4A	T4	T4	T3C
15000LM	T4A	T4A	T4	T4
18000LM	T3C	T3A	T3A	T3
24000LM	T2D	T2C	T2C	T2B
28000LM	T2A	T2	T2	X

Number of boards and drivers

Lumen package	Number of boards	Number of drivers	Number of drivers with bluetooth sensor option
12000LM	1	1	1
15000LM	1	1	1
18000LM	1	1	1
24000LM	1	1	2
28000LM	1	2	2