

DIGITAL NAVIGATION

[Ordering Tree](#) [nLight Platform](#) [Controls](#) [Photometrics](#) [Performance Data](#)

FEATURES & SPECIFICATIONS

INTENDED USE — ENVX is a high-performance recessed ambient solution suitable for all application types. Designed to improve quality of light, ENVX provides performance, configurability, delivery, value and style. All designs (Hourglass, Hourglass with Center Spine, and Hourglass Louvers), are created to elevate the space with a unique, unobtrusive, calm and soothing illumination. Its 5-day lead time and entire North American manufacturing permit for all consumers of ENVX to have the quality, delivery and reliability they deserve. **Certain airborne contaminants can diminish the integrity of acrylic and/or polycarbonate. [Click here for Acrylic-Polycarbonate Compatibility table for suitable uses.](#)**

ENVX Tunable White is perfect in educational and healthcare settings as it allows the light color temperature to be adjusted to the optimal light level for the intended mood. The ENVX Tuneable White fixture utilizes our Acuity nLight Controls system by way of the nTUNE (Hyperlink "nTune") device, which requires power over ethernet (PoE). Because of this, the ENVX Tuneable White fixture requires an nLight PoE device, such as the nPS80 EZ (Hyperlink) or the nPP16D EFP (Hyperlink) in order for the nTUNE device to be functional.

CONSTRUCTION — ENVX is engineered to have a **curved luminous surface** to reduce glare while increasing its volumetric class. Its smooth acrylic lens, and direct-lit over optic technology, allow for **no individual LED images to be visible** to the occupants in the space. ENVX seamless transition zones permit for the **uniform illumination across the lens** to be visually comfortable to look into. Built with non-exposed corners and seamless flanges within the T-Grid, ENVX is a single, self-contained fixture with a steel housing and plastic end caps **not requiring onsite assembly** for installation outside of additional accessories. The power supply and circuit board of the luminaire is integral to the unit. ENVX allows for design flexibility by incorporating a center element, if chosen, without compromising its fully luminous aperture.

ENVX has **IP5X rated** sealed optics to prevent dust and bugs from protruding inside of the fixture. All the painted components within the luminaire have **paint particles of 31um or larger, painted to a thickness of no less than 3 mils** for even coverage. Before delivery, ENVX undergoes component verification by means of visual scanning equipment to ensure proper CCT, Lumens, and CRI; in addition to the optical scanning to detect visual defects for the most optimal quality assurance.

ELECTRICAL — ENVX delivers performance superiority with long-life LEDs and unique over optics that when coupled with high-efficiency drivers, provide superior quantity of illumination for extended service life. ENVX offers **80% LED lumen maintenance at 60,000 hours** and color variation within **3-step MacAdam ellipse ranging from 3000K-5000K**.

ENVX offers 6 different lumen packages ranging from 1500 to 6000 lumens.

This fixture offers flicker free dimming with capability to dim to either 10%, 1% or .1%.

Driver disconnect provided where required to comply with US and Canadian codes.

SENSOR — ENVX features multiple integral sensor types without compromising the range and aesthetic of the fixture. Integrated nLight™ controls make each luminaire addressable — allowing it to digitally communicate with other nLight enabled controls such as dimmers, switches, occupancy sensors and photocontrols. Simply connect all the nLight enabled control devices and the BLT luminaires using standard Cat-5 cabling. Unique plug-and-play convenience as devices and luminaires automatically discover each other and self-commission.

Mainstream Dynamic Tunable White with nTune Technology: Tunable white nTune™ is an all digital light color temperature control within an nLight enabled luminaire. This brings tunable white lighting control into the mainstream with repeatable, consistent results in an economical luminaire form and system already familiar to schools. Designers and facility operators are granted the freedom to tie scenes to specific activities or to complement colors or materials within a visual environment. nTune™ allows color temperature settings through the Productivity Range of 3000K-5000K and the Rhythm Range of 2700K to 6500K. Refer to the Programming User's Guide for instructions on customizing to your application with SensorView.

Integrated Sensor (nLight Wired Networking): This sensor is nLight-enabled, meaning it has the ability to communicate over an nLight network. When wired, using CAT-5 cabling, with other nLight-enabled sensors, power packs, or WallPods, an nLight control zone is created. Once linked to a Gateway, directly or via a Bridge, the zone becomes capable of remote status monitoring and control via SensorView software.

INSTALLATION — ENVX fits into standard 15/16" and narrow 9/16" T-grid ceiling systems. Suitable for damp location. For recessed mounting in hard ceiling applications, Drywall Grid Adapters (DGA) are available as an accessory. See Accessories section.

LISTINGS — CSA certified to meet US and Canadian standards. Damp location listed. IC rated. IP5X rated. Tested in accordance with ISO 14644-1; suitable for use in ISO Class 5-9 positive and negative pressure clean rooms.

GOVERNMENT PROCUREMENT — BAA – Product with the BAA option qualifies as a domestic end product under the Buy American Act as implemented in the FAR and DFARS. Product with the BAA option also qualifies as manufactured in the United States under DOT Buy America regulations.

BABA – Build America Buy America: Product with the BAA option also qualifies as produced in the United States under the definitions of the Build America, Buy America Act.

Please refer to www.acuitybrands.com/buy-american for additional information.

WARRANTY — 5-year limited warranty. This is the only warranty provided and no other statements in this specification sheet create any warranty of any kind. All other express and implied warranties are disclaimed. Complete warranty terms located at: www.acuitybrands.com/support/warranty/terms-and-conditions

NOTE: Actual Performance may differ as a result of end-user environment and application.

All values are design or typical values, measured under laboratory conditions at 25 °C.

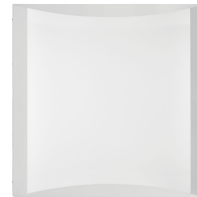
Specifications subject to change without notice.

Catalog Number
Notes
Type

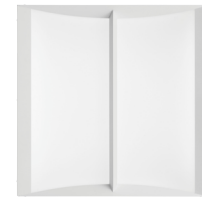
ENVX Series LED

ENVX™ Tunable White

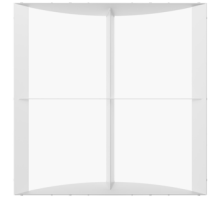
1'x4' LED, 2'x2' LED and 2'x4' LED



HRG



HRGC



HRGL



Specifications

Weights

Length: 23-3/4 (60.3), 47-3/4 (121.4), 47-3/4 (121.4)

2X2: 15 lbs

Width: 23-3/4 (60.3), 23-3/4 (60.3), 11-3/4 (29.7)

2X4: 22 lbs

Depth: 3-5/8 (9.6), 3-5/8 (9.6), 3-1/8 (7.8)

1X4: 17 lbs

All dimensions are inches (centimeters) unless otherwise specified.

Embed nLight controls today. Prepare for tomorrow.

Now

Tomorrow



User-friendly install



Scalability



Enhanced energy savings



Space configuration



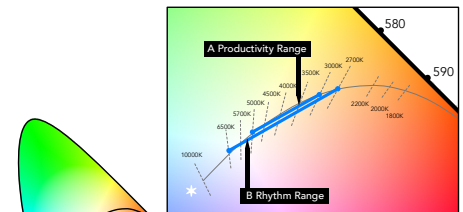
Code compliance



Future-ready

Tunable White GPHD

- **Gamut:** One dimensional Warm-Cool
- **Path:** Direct 3000K to 5000K (Productivity Range) or 2700K to 6500K (Rhythm Range)
- **Handle:** Two Natural Language Handles: Intensity and CCT
- **Data:** nLight with nTune technology for both handles of control



A Productivity Range 3000K to 5000K

B Rhythm Range 2700K to 6500K

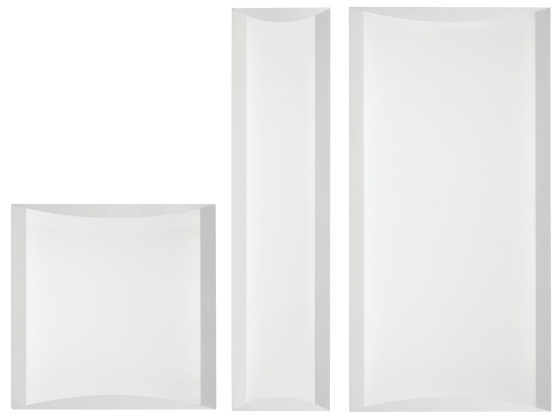
ENVX Spec Ambient

ENVX™ elegantly integrates with every ceiling type to allow structure and style to take the lead. The seamless transition zones from both of the hourglass designs, combined with low lumen density, create the high quality of light only ENVX™ can provide.

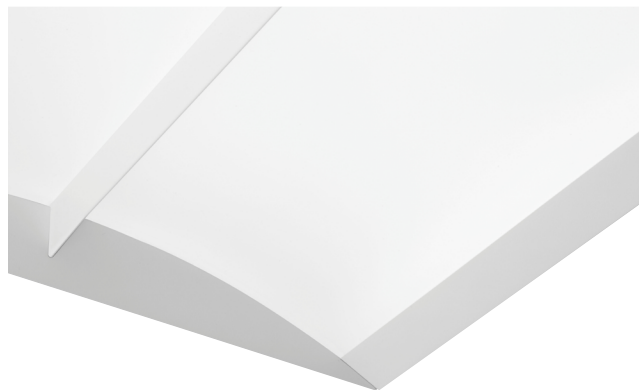
HRG: Hourglass Design



- Clean appearance in the ceiling plane provides design flexibility.
- Low lumen density delivers visually comfortable experience.
- Seamless transition zones & uniform illumination enables universal application.



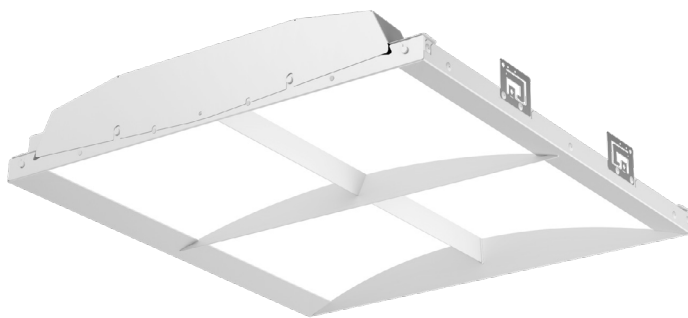
HRGC: Hourglass with Center Spine Design



- Center Spine design allows for further design optimization on a fully luminous surface.
- Spine's geometrically perfected angle preserves uniformity across the fixture surface.
- Unified transition zones on spine and side bezels grant ease of transition between lighter and darker areas.



HRGL: Hourglass Louver



- Parabolic louver design allows for further design optimization on a fully luminous surface.
- Four-cell (2x2) and Eight-cell (2x4) perfected angles preserves uniformity across the fixture.
- Unified transition zones on center and cross vanes grant ease of transition between lighter and darker areas.



A+ Capable Luminaire

This item is an A+ capable luminaire, which has been designed and tested to provide consistent color appearance and out-of-the-box control compatibility with simple commissioning.

- All configurations of this luminaire meet the Acuity Brands' specification for chromatic consistency
- This luminaire is part of an A+ Certified solution for nLight® control networks when ordered with drivers marked by a shaded background*
- This luminaire is part of an A+ Certified solution for nLight control networks, providing advanced control functionality at the luminaire level, when selection includes driver and control options marked by a shaded background*

To learn more about A+, visit www.acuitybrands.com/aplus.

*See ordering tree for details



A+ Capable options indicated by this color background.

ORDERING INFORMATION

Example: ENVX 2X2 HRG TUWH RHYP 3300LM 90CRI MVOLT NLT

Series	Fixture Dimension	Fixture Style	Dynamic Feature	Dynamic Range	Lumens Output
ENVX Spec Ambient LED Troffer	1x4 1'x4'	HRG Hourglass	TUWH Tunable White	PROR Productivity range (3000-5000K) RHYP Rhythm range (2700-6500K)	1500LM Nominal 1500 lumens
		HRGC Hourglass with Center Spine			2000LM Nominal 2000 lumens
		HRGL Hourglass with Blade Louver ‡			3000LM Nominal 3000 lumens
	2x2 2'x2'				4000LM Nominal 4000 lumens
					4800LM Nominal 4800 lumens
					2000LM Nominal 2000 lumens
	2x4 2'x4'				3300LM Nominal 3300 lumens
					4000LM Nominal 4000 lumens
					4800LM Nominal 4800 lumens
					3000LM Nominal 3000 lumens
					4000LM Nominal 4000 lumens
					4800LM Nominal 4800 lumens
					6000LM Nominal 6000 lumens

CRI	Voltage	Emergency Option	Control Interface Type
90CRI 90 CRI	MVOLT MVOLT, 120-277V 120 120V 277 277V 347 347V ‡	E7W Emergency Battery Pack, 7W, CA Title 20 Noncompliant ‡ E10WLCP EM Self-Diagnostic battery pack, 10W Constant Power, Certified in CA Title 20 MAEDBS ‡ E15WLCP EM Self-Diagnostic battery pack, 15W Constant Power, Certified in CA Title 20 MAEDBS ‡	NLT nLight no constant lumen management NLTEMG nLight no constant lumen management. For use with generator supply EM power.

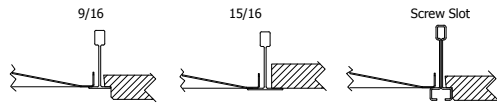
Networked Controls	Options
(blank) No sensor	GLR Fast-blowing fuse ‡
PIR Occ sensing with passive infrared - on/off functionality	GMF Slow-blowing fuse ‡
PDT Occ sensor dual tech (passive infrared & microphonics)	PWS1836 6' pre-wire, 18 gauge, 3/8" dia., 3 wire - 1 circuit
APIR Occ sensing with passive infrared - on/off functionality and auto dimming photocell	PWS1846 6' pre-wire, 18 gauge, 3/8" dia., 4 wire - 2 circuit
APDT Occ sensor dual tech (passive infrared & microphonics) and auto dimming photocell	RRLA RELOC®-Ready Luminaire (RRL) connectors. Driver wired to pin position #1 (120V, 277V, 347V - Phase A)
	RRLAB RELOC®-Ready Luminaire (RRL) connectors. Driver wired to pin position #2 (120V, 277V, 347V - Phase A)
	RRLAE RELOC®-Ready Luminaire (RRL) connectors. Driver wired to pin position #1 (120V, 277V, 347V - Phase A). Emergency driver wired to pin position #2 (120V, 277V, 347V - Phase B)
	DWAM Anti-microbial paint
	LATC T-bar clips
	BAA Buy America(n) Act Compliant

NOTE: ‡ indicates option value has ordering restrictions. Please reference the Option Value Ordering Restrictions chart below. HRGL Not Available with 1x4.

Option Value Ordering Restrictions ‡	
Option Value	Restriction
347	Not available with: E7W, E10WLCP, E15WLCP, GLR, GMF
E7W, E10WLCP	Not available with 347V or PWS1836
E15WLCP	Not available with: 2X2, 347 or PWS1836
GLR, GMF	Must select 120 or 277
NLT	Requires power from nLight network bridge or nPS 80
PS105SLCP	Field installable only on the 1X4 and 2X4 version of the ENVX
NLTEMG	Only available with the following: 1X4 (3000LM), 2X2 (3300LM, 4000LM, & 4800LM), and 2X4 (3000LM & 4000LM)
BAA	Not available with ECO, DALI, SLD, RVTX8FOCC, NVTX8FOCC, VT8FOCC, VTX8FADC, VTX15FOCC or VTX15FADC

nLight® Control Accessories: Order as separate catalog number. Visit www.acuitybrands.com/products/controls/nlight .			
WallPod stations	Model number	Occupancy sensors	Model number
On/Off	nPODM	Small motion 360°, ceiling (PIR / dual tech)	nCM 9 RJB / nCM PDT 9 RJB
On/Off & raise/lower	nPODM DX	Large motion 360°, ceiling (PIR / dual tech)	nCM10 RJB / nCM PDT 10 RJB
		Wall switch with raise/lower	nWSX PDT LV DX [color]
Photocell controls	Model number	Cat-5 cable (plenum rated)	Model number
Full range dimming	nCM ADCX RJB	10' cable	CAT5 10FT J1
		30' cable	CAT5 30FT J1
Power Supply			
nLight Power Supply	nPS 80		

nLight® Wired Control Accessories: Order as separate catalog number. Visit www.acuitybrands.com/products/controls/nlight .			
WallPod stations	Model number		
On/Off	nPODMA [Color]		
On/Off & raise/lower	nPODMA DX [Color]		
Graphic touchscreen	nPOD TOUCH [Color]		
		Cat-5 cable	Model number
		10' cable	CAT5 10FT J1
		30' cable	CAT5 30FT J1
nLight Power Supply	nPS 80 EZ		



*DGA accessory available to provide ceiling trim flange and fixture support for plaster or plasterboard ceiling. Recommended rough-in dimensions for DGA installation is 24-3/4" x 24-3/4" (Tolerance is +1/8", -0").

UL924 Sequence of Operation

The below information applies to all nLight AIR devices with an EM option.

- EM devices will remain at their high-end trim and ignore wireless lighting control commands, unless a normal-power-sensed (NPS) broadcast is received at least every 8 seconds.
- Using the CLAIRITY+ mobile app, EM devices must be associated with a group that includes a normal power sensing device to receive NPS broadcasts
- Only non-emergency rPP20, rLSXR, rSBOR, rSDGR, and nLight AIR luminaires with version 3.4 or later firmware can provide normal power sensing for EM devices. See specification sheets for control devices and luminaires for more information on options that support normal power sensing.

Accessories

Accessories: Order as separate catalog number.	
DGA14	Drywall grid adapter for 1x4 recessed fixture.
DGA22	Drywall grid adapter for 2x2 recessed fixture.
DGA24	Drywall grid adapter for 2x4 recessed fixture.
ENVX TGRID CLIP J4	Pack of 4 grid clips for 9/16" T grid compatibility.
ENVX TGRID CLIP J50	Pack of 50 grid clips for 9/16" T grid compatibility.
PS1055LCP M5	Field installable, not available with 347V. See restriction note above. ‡
1X4SMKSH PAF	Multi-Use Surface Mount Kit 1X4 Post-Paint
2X2SMKSH PAF	Multi-Use Surface Mount Kit 2x2 Post-Paint
2x4SMKSH PAF	Multi-Use Surface Mount Kit 2x4 Post-Paint

Emergency Battery Pack Options - Field Installable

Battery Model Number	Wattage	Runtime (Minutes)	Lumen Output* @ 120 Lumens/Watt	Other
ILB CP07 2H A	7W	120	840	Storm Shelter/ 2-hour Runtime
ILB CP10 A	10W	90	1200	
ILBLP CP10 HE SD A	10W	90	1200	Title 20, Self Diagnostic
ILBLP CP15 HE SD A	15W	90	1800	Title 20, Self Diagnostic
ILB CP20 HE A	20W	90	2400	Title 20
ILB CP20 HE SD A	20W	90	2400	Title 20, Self Diagnostic

All the above are UL 924 Listed products that are certified for field install external/remote to the fixture.

*Minimum delivered lumen output to assist in product selection for increased fixture mounting height.

Delivered emergency illumination of CP10 models outperforms legacy 1400 lumen fluorescent emergency ballasts.

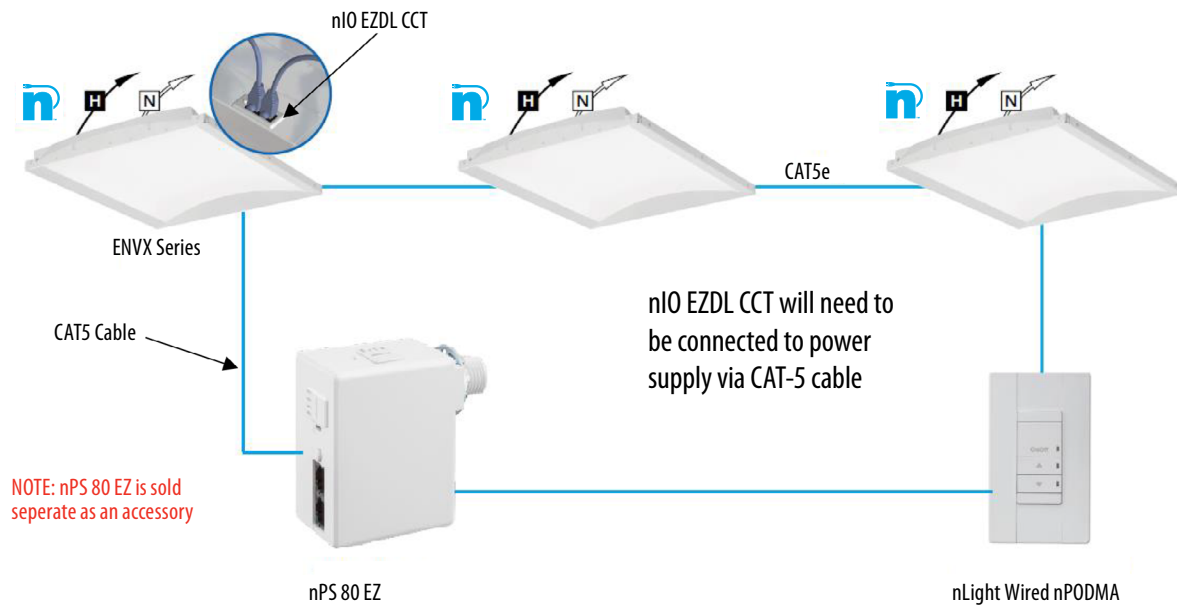
Please contact us at techsupport@iotaengineering.com for any Emergency Battery related questions.

nLight Platform

nLight embedded fixtures offer:	Customers get:
Manual Dimming	Convenience and visual comfort for occupants
Motion Sensing and/or Daylight Harvesting	Energy savings and code compliance
Fixture or Group Level Control	Ability to configure lighting to the space requirements
Flexibility	Ease of fixture moves, adds and changes
Astronomical and Time of Day Scheduling	Energy savings and building security
Scalable Solution	nLight controls to grow with your business
Future-Ready	nLight platform to set foundation for future upgrades and capabilities

nLight Wired Networking

Tunable White Option (CAT5 wiring to n10 EZDL CCT & nPS 80 EZ)

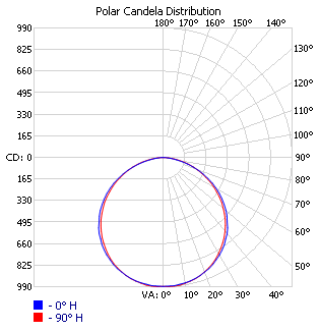


Simple as 1, 2, 3

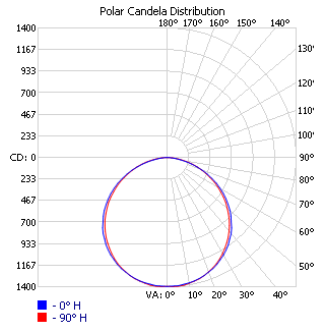
1. Install the nLight® Wired fixtures with embedded control
2. Install the nLight Wired wall switch
3. Connect the fixtures using standard CAT5e cables and the devices will automatically discover each other and work (plug and play)

PHOTOMETRICS

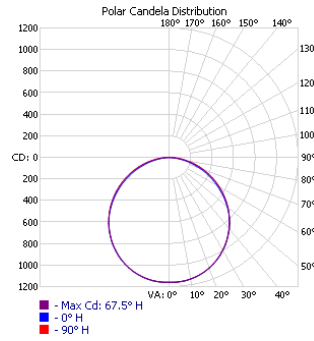
ENVX 1X4 HRG 3000LM 80CRI 35K



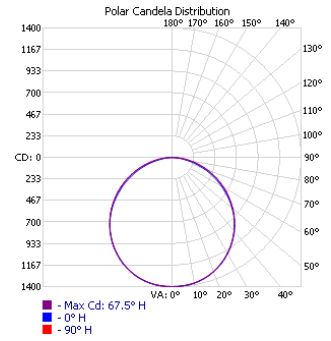
ENVX 1X4 HRG 4000LM 80CRI 35K



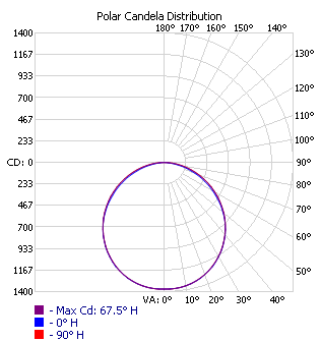
ENVX 2X2 HRG 3300LM 80CRI 35K



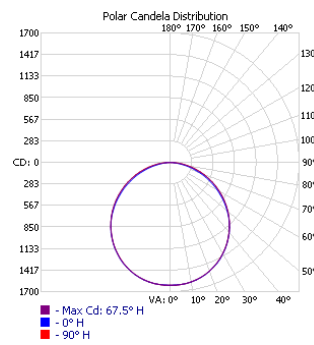
ENVX 2X2 HRG 4000LM 80CRI 35K



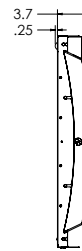
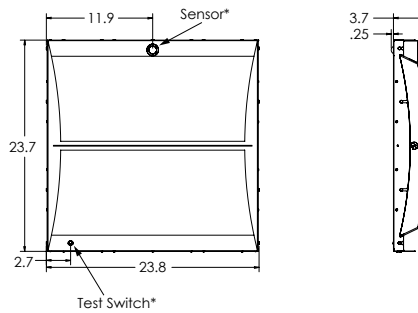
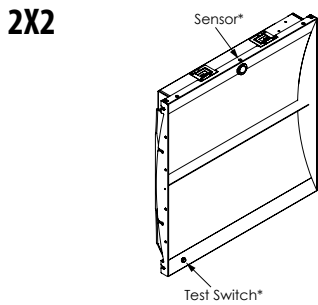
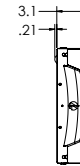
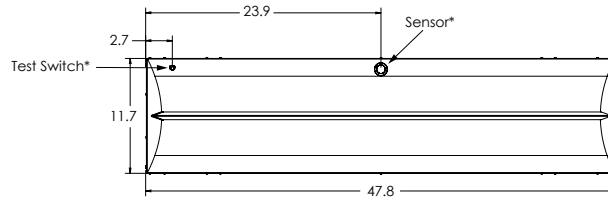
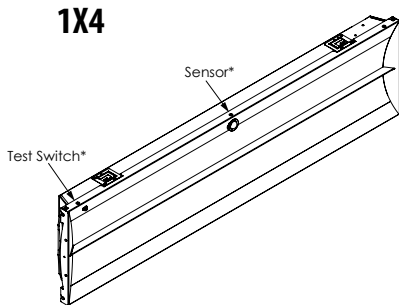
ENVX 2X4 HRG 4000LM 80CRI 35K



ENVX 2X4 HRG 4800LM 80CRI 35K

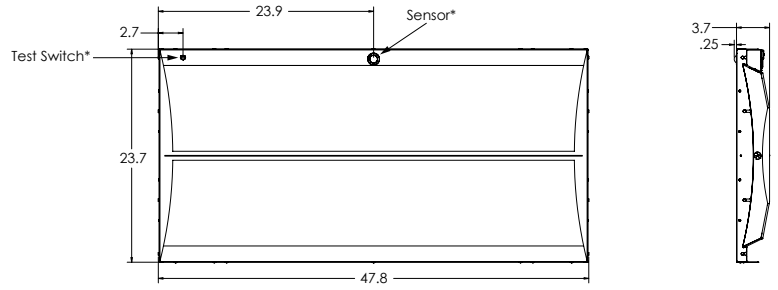
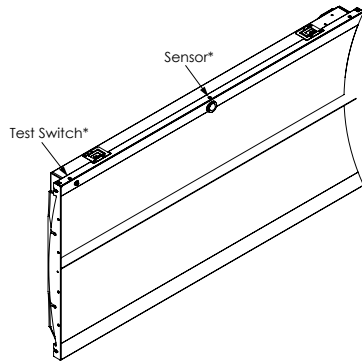


DIMENSIONS

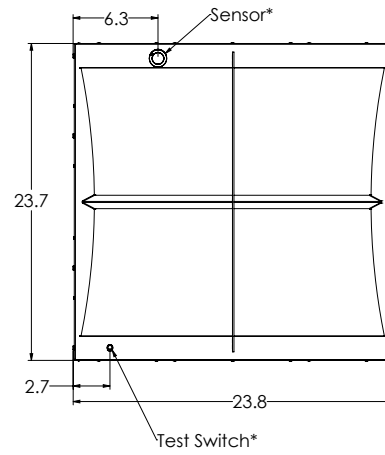
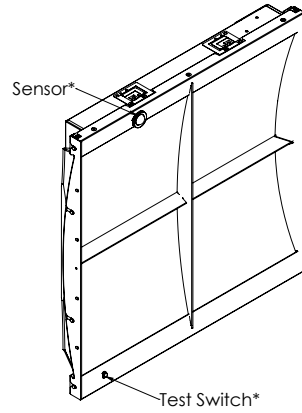


DIMENSIONS

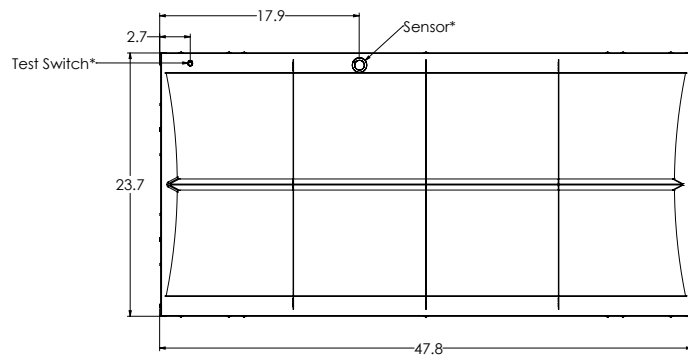
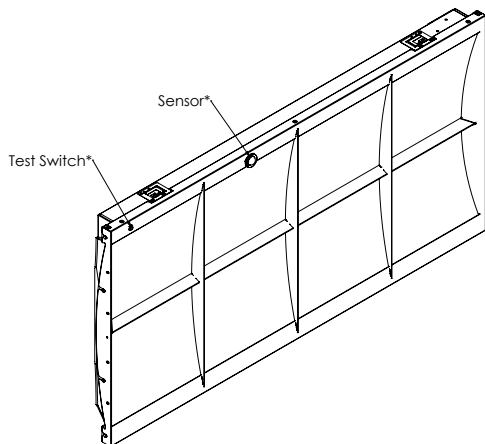
2X4



2X2



2X4



PERFORMANCE DATA

Fixture Size	Lumen Package	(RHYR) LUMEN OUTPUT PER SCALING PROCEDURE, PER CCT							
		2700K	3000K	3500K	4000K	4500K	5000K	5700K	6500K
1X4	1500LM	1499	1483	1473	1463	1470	1480	1494	1543
	2000LM	1986	1965	1951	1937	1947	1960	1979	2044
	3000LM	3347	3311	3288	3265	3281	3304	3336	3445
	4000LM	4083	4040	4012	3984	4003	4031	4070	4203
	4800LM	4995	4941	4907	4873	4897	4931	4978	5141
2X2	2000LM	1964	1956	1942	1929	1938	1951	1970	2017
	3300LM	3572	3557	3533	3508	3525	3550	3584	3670
	4000LM	4128	4111	4083	4054	4074	4102	4142	4241
	4800LM	4897	4877	4843	4810	4833	4867	4914	5031
2X4	3000LM	3014	2997	2976	2955	2970	2990	3019	3136
	4000LM	4174	4149	4121	4092	4112	4141	4181	4342
	4800LM	4956	4927	4893	4859	4883	4917	4964	5156
	6000LM	6062	6026	5985	5943	5972	6014	6072	6307

Fixture Size	Lumen Package	(RHYR) POWER OUTPUT PER SCALING PROCEDURE, PER CCT							
		2700K	3000K	3500K	4000K	4500K	5000K	5700K	6500K
1X4	1500LM	18.3	17.9	16.8	15.8	15.8	16.5	17.1	17.5
	2000LM	24.3	23.8	22.3	21.1	21.1	22	22.8	23.3
	3000LM	40.4	39.5	37.1	35	35	36.5	37.8	38.6
	4000LM	49.8	48.7	45.7	43.1	43.1	44.9	46.6	47.6
	4800LM	61.5	60.1	56.5	53.2	53.2	55.5	57.6	58.8
2X2	2000LM	22.9	21.6	20.3	19.1	19.1	19.9	20.7	21.5
	3300LM	41.7	39.3	37	34.8	34.8	36.3	37.7	39.3
	4000LM	48.5	45.7	42.9	40.5	40.5	42.2	43.7	45.6
	4800LM	58.5	55.2	51.8	48.9	48.9	51	52.8	55.1
2X4	3000LM	31.6	31.4	29.4	27.8	27.8	29	30	30.8
	4000LM	44.1	43.7	41	38.6	38.6	40.3	41.8	42.8
	4800LM	53.1	52.6	49.4	46.6	46.6	48.6	50.4	51.6
	6000LM	66.1	65.5	61.5	58	58	60.5	62.7	64.2

Fixture Size	Lumen Package	(RHYR) LPW OUTPUT PER SCALING PROCEDURE, PER CCT							
		2700K	3000K	3500K	4000K	4500K	5000K	5700K	6500K
1X4	1500LM	81.9	82.9	87.6	92.3	92.8	89.5	87.2	88.2
	2000LM	81.6	82.6	87.3	92	92.4	89.2	86.9	87.9
	3000LM	82.9	83.8	88.6	93.4	93.8	90.6	88.2	89.2
	4000LM	82.1	83	87.8	92.5	92.9	89.7	87.4	88.4
	4800LM	81.2	82.2	86.9	91.5	92	88.8	86.5	87.5
2X2	2000LM	85.8	90.6	95.8	100.9	101.4	97.9	95.4	93.7
	3300LM	85.6	90.4	95.6	100.7	101.2	97.7	95.2	93.5
	4000LM	85.2	90	95.1	100.2	100.7	97.2	94.7	93
	4800LM	83.7	88.4	93.4	98.4	98.9	95.5	93	91.4
2X4	3000LM	95.3	95.6	101.1	106.5	107	103.3	100.6	102
	4000LM	94.7	95.1	100.5	105.9	106.4	102.7	100	101.4
	4800LM	93.3	93.6	99	104.3	104.8	101.1	98.5	99.8
	6000LM	91.7	92	97.3	102.5	103	99.4	96.9	98.2

Emergency Battery Estimated Lumens
Use the formula below to estimate the delivered lumens in emergency mode
Estimated Lumens = 1.25 x P x LPW
P = Output power of emergency driver (10W for PS1055CP)
LPW = Lumen per watt rating of the luminaire.

DLC information is subject to change, for the most up-to-date information please refer to www.designlights.org