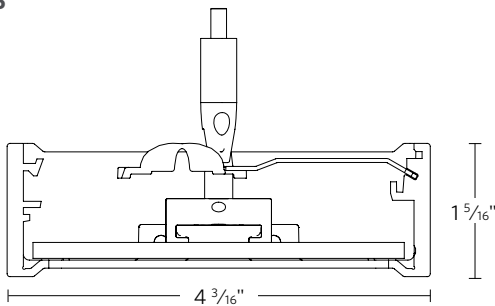
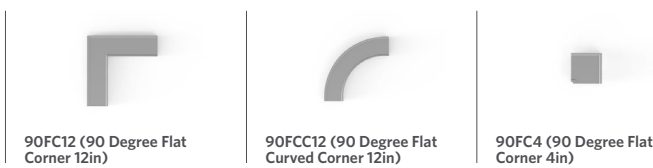


DIMENSIONS

□ RNNAIDP



DETAILS



COMPANION LUMINAIRE(S)



CUSTOMIZATION

Ask us about the following possibilities: Transitions, additional distributions, additional mounting options, custom colors, and other modifications.

HIGHLIGHTS

- Total System Integration features 5-year limited warranty by Acuity Brands covering all components and construction
- 4' and 8' sections. Four base direct and indirect distributions available
- Standard configurations for Rectangle and Square Flat Patterns
- Up to 134 lm/W
- High performance batwing distribution using injection molded optic.
- Optional dual circuit switching for independent dimming of indirect and direct light outputs.
- Softshine[®] engineered comfort optics
- Flicker free dimming to dark (0.1%) powered by Modulus power and control architecture with integrated digital nLight[®] module for system networking
- Available with 3 different flat transitions
- White, black, painted aluminum or custom color



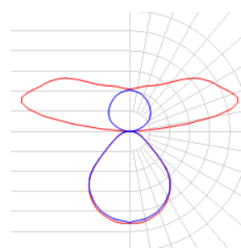
LUMEN PACKAGES

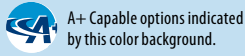
Based on 3500K. Additional color temperatures available.

| Indirect LED Output / Direct LED Output | I300LMF / 300LMF | I600 LMF / 500LMF | I900LMF / 700LMF | I1200LMF / 900LMF |
|---|------------------|-------------------|------------------|-------------------|
| Indirect Delivered Lumens Per Foot / Direct Delivered Lumens Per Foot | 300 / 300 | 600 / 500 | 900 / 700 | 1200 / 900 |
| Total Delivered Lumens Per Foot | 600 | 1100 | 1600 | 2100 |
| Input Watts Per Foot | 5.6 | 9.5 | 13.9 | 17.7 |
| Direct Lumens Per Watt | 93 | 98 | 99 | 102 |
| Indirect Lumens Per Watt | 125 | 132 | 134 | 131 |

STANDARD DISTRIBUTION

60% Up | 40% Down





MODEL NUMBER Example: RNNAIDP FRPP 8FTABCD 90FC4 90CRI 40K I600LMF 900LMF SSH DARK ZT MVOLT SCT F1/48A C210

| Luminaire | Pattern Plan | Primary Sides A & C | Secondary Sides B & D | Flat Corner Transition |
|-----------|---|--|--|--|
| RNNAIDP | FSPP Flat Square pattern FRPP Flat Rectangle pattern | Rectangle 4FTAC 4 Foot Section 8FTAC 8 Foot Section 12FTAC 12 Foot Section 16FTAC 16 Foot Section 24FTAC 24 Foot Section Square 4FTABCD 4 Foot Section 8FTABCD 8 Foot Section 12FTABCD 12 Foot Section 16FTABCD 16 Foot Section 24FTABCD 24 Foot Section If not shown above indicate luminaire row length in 4' increments. Ex: 28FT | Rectangle 4FTBD 4 Foot Section 8FTBD 8 Foot Section 12FTBD 12 Foot Section 16FTBD 16 Foot Section 24FTBD 24 Foot Section If not shown above indicate luminaire row length in 4' increments. Ex: 28FT | 90FC4* 90 deg flat corner, 4" 90FC12 90 deg flat corner, 12" 90FCC12 90 deg flat curved corner, 12" *If F2 mounting is chosen need to also select OJB option |

| LED Color Rendering | LED Color Temperature | Indirect LED Output | Direct LED Output | Direct Lens (Light Guide Plate) |
|----------------------|--|--|--|---------------------------------|
| 90CRI 90+ CRI | 27K 2700K 30K 3000K 35K 3500K 40K 4000K 50K 5000K | I300LMF 300 Nominal lumens per foot I600LMF 600 Nominal lumens per foot I900LMF 900 Nominal lumens per foot I1200LMF 1200 Nominal lumens per foot *Available in 100 lumen increments between min & max LMF | 300LMF 300 Nominal lumens per foot 500LMF 500 Nominal lumens per foot 700LMF 700 Nominal lumens per foot 900LMF 900 Nominal lumens per foot *Available in 100 lumen increments between min & max LMF | SSH SoftShine |

| Minimum Dimming Level | Control Input | Voltage | Wiring Option | Emergency Options |
|---|---|--|--|--|
| DARK Constant current, dimming to < 1% MIN1 Constant Current dimming to 1% | ZT* 0-10V NLIGHT** nLight enabled DALI*** DALI enabled NLTAIR2 nLight AIR enabled ECOI Lutron Ecosystem Interface *0-10V will use linear dimming curve ** Will use logarithmic dimming curve ***Not available with sensors ***Will use logarithmic dimming curve | 120 120V 277 277V 347* 347V MVOLT 120V-277V *347V not available with ECOI, EC, E35INV or WEC | SCT Single circuit DCT* Dual circuit *Not available with NLTAIR2 | (Blank) None _EC Emergency circuit module E35INV* 35W Emergency Micro Inverter WEC Whole run on EC circuit *Not available with 27K, 50K, 347V, MVOLT or CP Only available on runs of 8ft or greater |

| Mounting Type/ | Overall Suspension | Color | Options |
|--|---|---|---|
| F1/* T-bar ceiling (universal mounting bracket) F1A/* T-bar ceiling (universal mounting bracket) with integrated J-box F2/** Hard ceiling (horizontal J-box) *F1 & F1A Mount uses standard 3 1/2" canopy on feed and 2" canopy on support **F2 Mount uses standard 5" canopy on feed and 2" canopy on support ***All feed cords, cord managers and canopies are standard white. They are not painted to match fixture color. | 24A 24" adjustable 48A 48" adjustable 96A 96" adjustable 144A 144" adjustable Measured from ceiling to bottom of luminaire. | C210 Textured White C202 Textured Black C110 Painted Aluminum C099 Custom color RALTBD* RAL Paint Finishes *RALTBD for pricing only, replace with applicable RAL call out when ready to order. See the RAL BROCHURE for available options | BLK Black cord, cord manager and canopy CP Chicago Plenum MCS Matching Canopy at support for aesthetics OJB Offset J-box at feed SLP* Slope Ceiling *When SLP is chosen need to choose F2 mount and OJB |

SPECIFICATIONS

Housing

Extruded outer and inner aluminum housing for light weight rigidity and support.

Corner Transitions

Die-cast aluminum transitions are mechanically attached to the end of the luminaire. We offer a 12 inch 90-degree corner and a 12inch 90-degree curved corner. We also offer a 4 inch 90-degree corner to complete your flat pattern.

Color

Standard colors are textured white, textured black, and painted aluminum. Consult factory for customer colors and RAL color options.

Luminaire Configuration

Primary and Secondary length based off of 2', 4', and 8' sections. For square primary and secondary lengths must be equal. Please see transition details on page XYZ to calculate overall side length.

Source

8 standard lumen packages available with 2700K, 3000K, 3500K, 4000K, 5000K CCT all within a 2.5 step MacAdam Ellipse.

Optics

Direct optical system consists of Softshine high performance acrylic lens and microstructure film. Injection-molded indirect optic for optimized batwing distribution.

Modulus Remote Power and Control System

Remote power source provides "natural dimming" with smooth, continuous and flicker-free dimming to dark (0.1%). Syncing for controls: 2mA max.

THD: <10%. Insignificant inrush current at 120 and 277VAC. FCC Class A and B tested for EMI and RFI. When NLIGHT or DALI is specified driver will be set for logarithmic dimming curve. If control Input of 0-10V is specified driver will be set for linear dimming curve.

Integrated digital nLight® module enables up to 16 Modulus zones via CAT-5e, when nLight® is selected. The Modulus™ head unit outputs a maximum of 10mA into the nLight® bus. For daylight dimming and/or dual technology detection, see Controls page for external sensor options.

Each modulus head unit utilizes 22 device addresses. Tunable White head units consume 14 device addresses.

Electrical

LED light engine — consisting of modular LED boards and eldoLED® dimming driver — is rated for 60,000 hours (L80) at 25° C ambient temperature. Pre-wired with 18AWG fixture wire. Plug in electrical connectors included in fixtures sections, hard wire connections to be made at canopies and head units.

Environment

Suitable for damp location.

Validation

cULus listed. Tested to UL2108 Standards. LM-79 tested. Individual sections meet FCC Part 15 requirements.

Packaging

Recycled cardboard box and inserts. Biodegradable, protective luminaire bag. Recycled kraft paper tape.

Warranty

5-year limited warranty. Complete warranty terms located at www.acuitybrands.com/support/customer-support/terms-and-conditions

Note: Actual performance may differ as a result of end-user environment and application.

All values are design or typical values, measured under laboratory conditions at 25 °C.

The product images shown are for illustration purposes only and may not be an exact representation of the product.

A+ Capable Luminaire

This item is an A+ capable luminaire, which has been designed and tested to provide consistent color appearance and out-of-the-box control compatibility with simple commissioning.

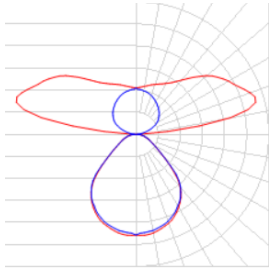
- All configurations of this luminaire meet the Acuity Brands' specification for chromatic consistency
- This luminaire is part of an A+ Certified solution for nLight® control networks when ordered with drivers marked by a shaded background*
- This luminaire is part of an A+ Certified solution for nLight control networks, providing advanced control functionality at the luminaire level, when selection includes driver and control options marked by a shaded background*

To learn more about A+, visit www.acuitybrands.com/aplus.

*See ordering tree for details

The product images shown are for illustration purposes only and may not be an exact representation of the product.

FIXTURE PERFORMANCE DATA



35K I1200LMF/900LMF
Indirect: 131 lm/w
Direct: 102 lm/w
2100 delivered lumens

EXPECTED LIFE: L80@60,000 HOURS

CCT SCALING CHART

| CCT | CRI | MULTIPLIER |
|-----|-------|------------|
| 27K | 90CRI | .84 |
| 30K | 90CRI | 1.01 |
| 35K | 90CRI | 1 |
| 40K | 90CRI | 1.01 |
| 50K | 90CRI | .84 |

HEAD UNIT RUN LENGTH CHART

| Direct Lumen Output | Indirect Lumen Output | | | | | |
|---------------------|-----------------------|------|------|------|------|-------|
| | Lumens/ft | 0 | 1300 | 1600 | 1900 | 11200 |
| 0 | | 32ft | 32ft | 32ft | 32ft | 28ft |
| 300 | | 32ft | 32ft | 32ft | 28ft | 24ft |
| 500 | | 32ft | 32ft | 32ft | 24ft | 20ft |
| 700 | | 32ft | 32ft | 24ft | 20ft | 16ft |
| 900 | | 32ft | 24ft | 20ft | 16ft | 16ft |

*This table indicates 1 Head Unit required for the identified run length *Lumen values based on 3500K color temperature

MOST COMMON MOUNTING TYPES AND OPTIONS Options available for this specific luminaire are checked in the boxes below.

Mounting Type

- F1/** For use with most T-Bar and screw slot grid ceilings. Designed for on-grid and off-grid applications.
- F2/** For use with recessed or surface mount horizontal J-box applications.
- F1A/** For use with most T-Bar and screw slot grid ceilings. Designed for on-grid and off-grid applications. Comes complete with vertical J-box with built-in wire way. See also CP.

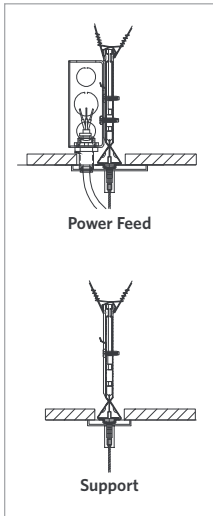
To see more, see the [Hanging Hardware Selection Guide](#).

Mounting Options

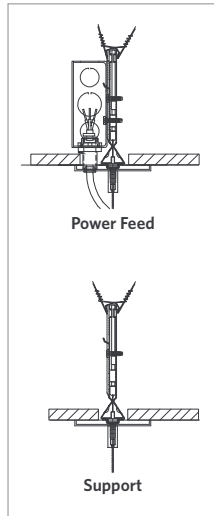
- MCS** Matching canopy at support for aesthetics.
- OJB** Offset J-box at feed.
- SLP OJB** Sloped ceiling couplers and offset J-box option at feed.

Indicates mounting options available with this luminaire.

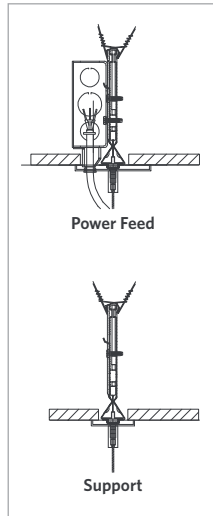
F1/



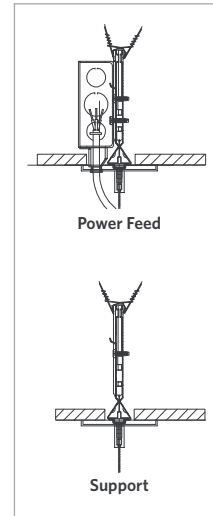
F1/MCS



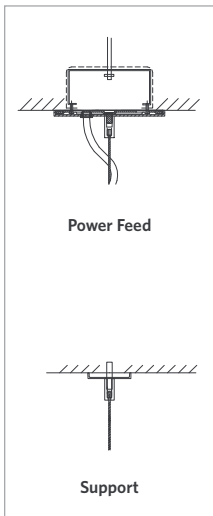
F1A/



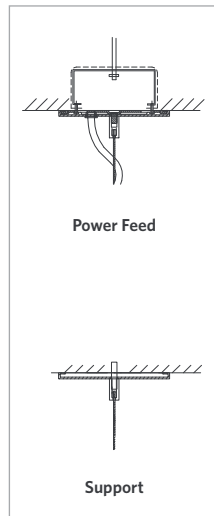
F1A/MCS



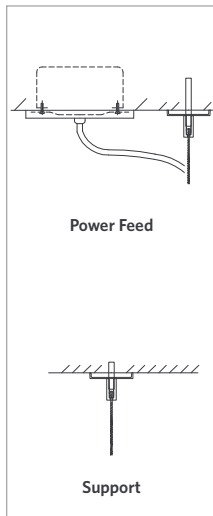
F2/



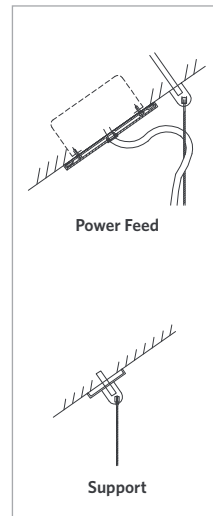
F2/MCS



F2/OJB

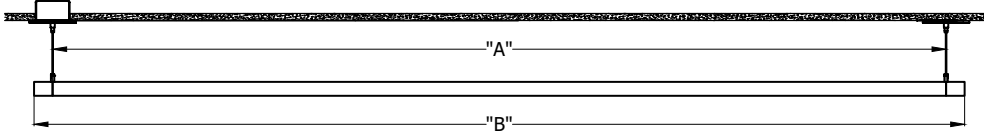


F2/SLP OJB

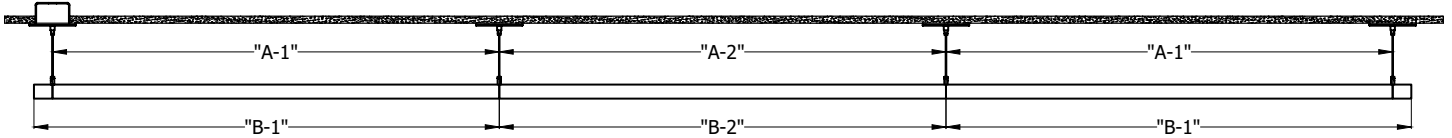


WEIGHTS & SUPPORT SPACING

Suspension spacing equals section length. Default location shown.



| INDIVIDUAL FIXTURES | | | | | |
|---------------------|----------|------------------|------------------|-----------------|----------------|
| ORDERED LENGTH | "A" O.C. | "B" SQEP OVERALL | "B" SCEP OVERALL | "B" REP OVERALL | APPROX. WEIGHT |
| 2FT | 2'-0" | 2'-4" | 2'-6" | 2'-6" | 4LB |
| 4FT | 4'-0" | 4'-4" | 4'-6" | 4'-6" | 8LB |
| 8FT | 8'-0" | 8'-4" | 8'-6" | 8'-6" | 16LB |



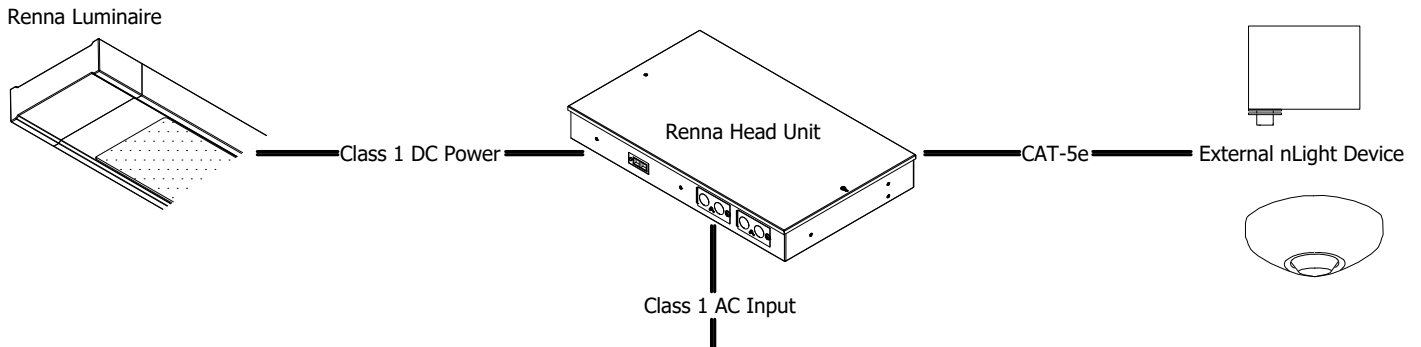
| RUN LAYOUT | | | | | | | |
|----------------|------------|------------|--------------------|--------------------|-------------------|---------------|----------------|
| ORDERED LENGTH | "A-1" O.C. | "A-2" O.C. | "B-1" SQEP OVERALL | "B-1" SCEP OVERALL | "B-1" REP OVERALL | "B-2" OVERALL | APPROX. WEIGHT |
| 2FT | 2'-0" | 2'-0" | 2'-2" | 2'-3" | 2'-3" | 2'-0" | 4LB |
| 4FT | 4'-0" | 4'-0" | 4'-2" | 4'-3" | 4'-3" | 4'-0" | 8LB |
| 8FT | 8'-0" | 8'-0" | 8'-2" | 8'-3" | 8'-3" | 8'-0" | 16LB |

INTELLIGENT LUMINAIRE CHARTS

| | | Choose nomenclature from these columns | | | | |
|-----------------------|-----------------------|--|----------|-------------------------------------|-------------|--|
| Driver Configurations | Minimum Dimming Level | Control Input | Driver | Dimming Range | Notes | |
| | MIN1 | + | DALI | = eldoLED DCDC DUALdrive | 100 to 1% | Logarithmic Dimming, DALI controls and power supply supplied by others |
| | MIN1 | + | ZT | = eldoLED DCDC DUALdrive | 100 to 1% | Linear Dimming, supplied with leads for two independent zones of 0-10V |
| | MIN1 | + | NLIGHT | = eldoLED DCDC DUALdrive | 100 to 1% | Logarithmic Dimming, nIO EZDCA 16Z in head unit |
| | MIN1 | + | NLTAIR2 | = eldoLED DCDC DUALdrive | 100 to 1% | Logarithmic Dimming, rIO EZDL in head unit with external antenna |
| | MIN1 | + | TUWH NLT | = eldoLED DCDC DUALdrive | 100 to 1% | Logarithmic Dimming, nIO EZDCA CCT in head unit |
| | DARK | + | DALI | = eldoLED DCDC DUALdrive | 100 to 0.1% | Logarithmic Dimming, DALI controls and power supply supplied by others |
| | DARK | + | ZT | = eldoLED DCDC DUALdrive | 100 to 0.1% | Linear Dimming, supplied with leads for two independent zones of 0-10V |
| | DARK | + | NLIGHT | = eldoLED DCDC DUALdrive | 100 to 0.1% | Logarithmic Dimming, nIO EZDCA 16Z in head unit |
| | DARK | + | NLTAIR2 | = eldoLED DCDC DUALdrive | 100 to 0.1% | Logarithmic Dimming, rIO EZDL in head unit with external antenna |
| | DARK | + | TUWH NLT | = eldoLED DCDC DUALdrive | 100 to 0.1% | Logarithmic Dimming, nIO EZDCA CCT in head unit |
| | DARK | + | DMX | = DMX compatible eldoLED POWERdrive | 100 to 0.1% | "Compatible with DMX / Remote Device Management. Formerly (EXB & EDXB) nomenclature." Linear dimming |

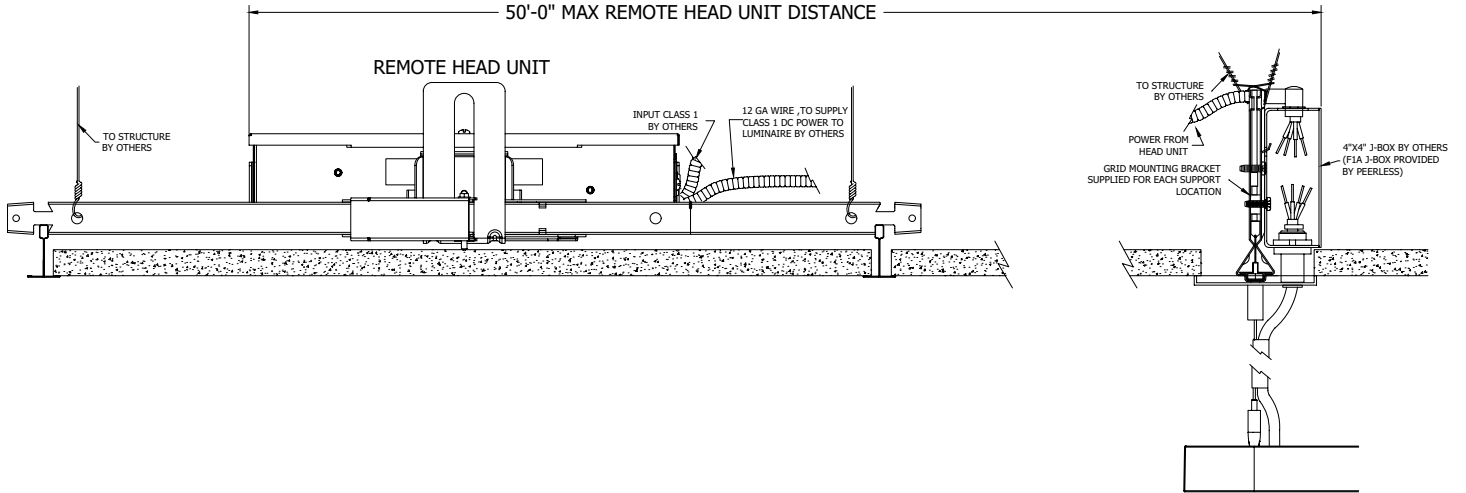
CONTROLS

FOR EXTERNAL CONTROLS

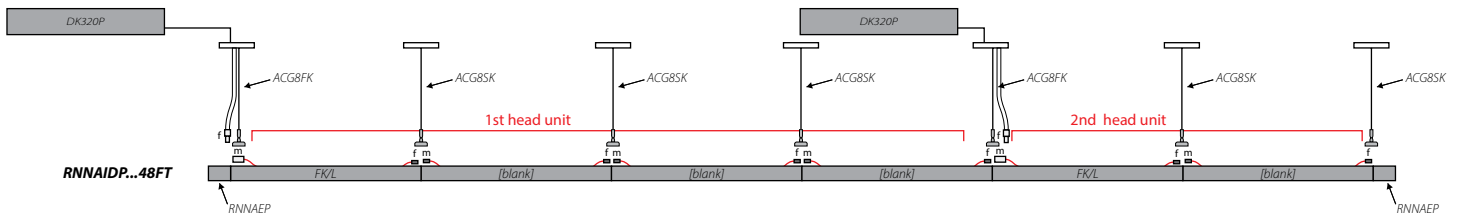
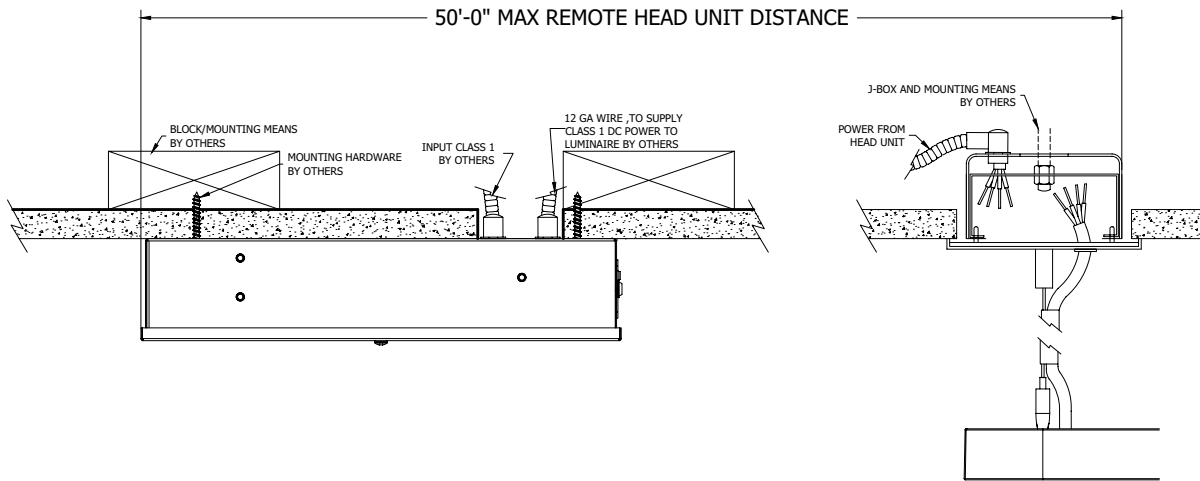


REMOTE HEAD UNITS

F1 CEILING DETAILS



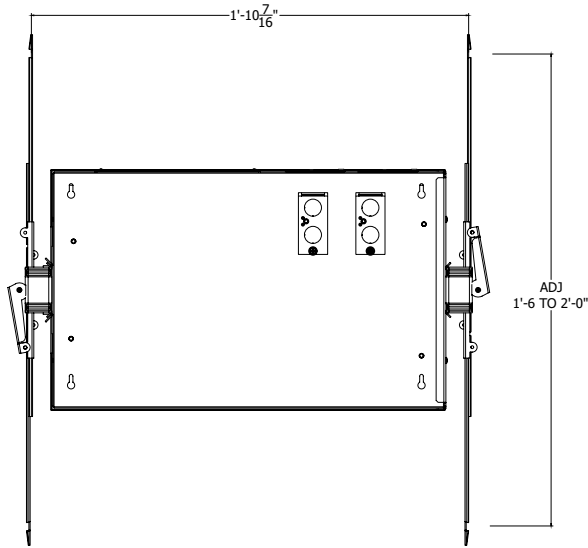
F2 CEILING DETAILS



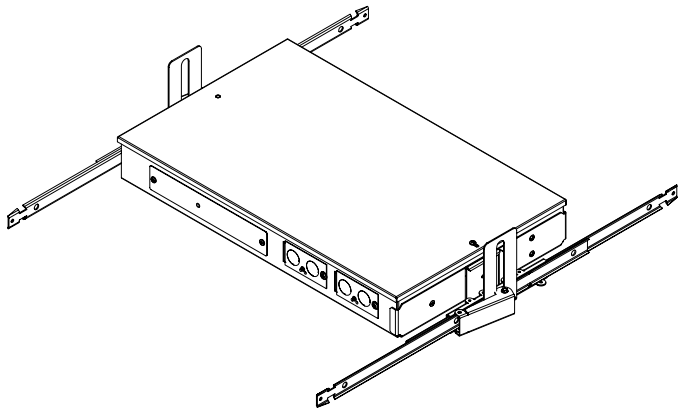
REMOTE HEAD UNITS

F1 HEAD UNIT DETAILS

MOUNTING LOCATIONS

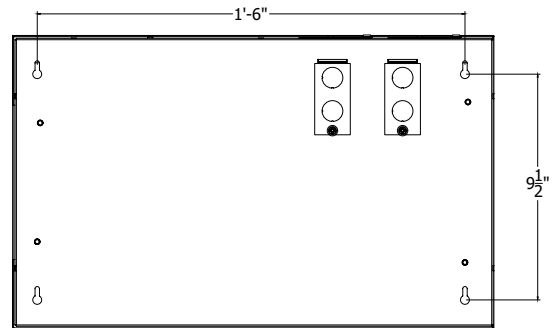


OVERALL DIMENSIONS
2'-2 3/4" x 2'-3/4" x 4 3/4"

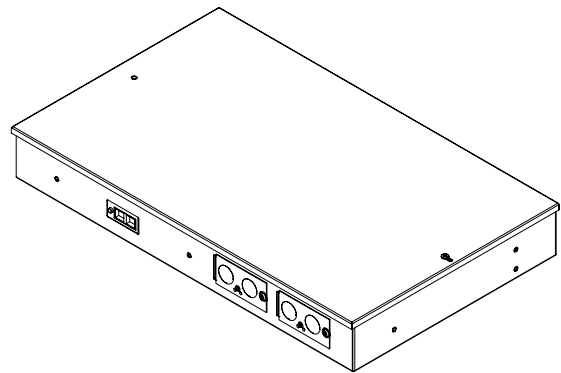


F2 HEAD UNIT DETAILS

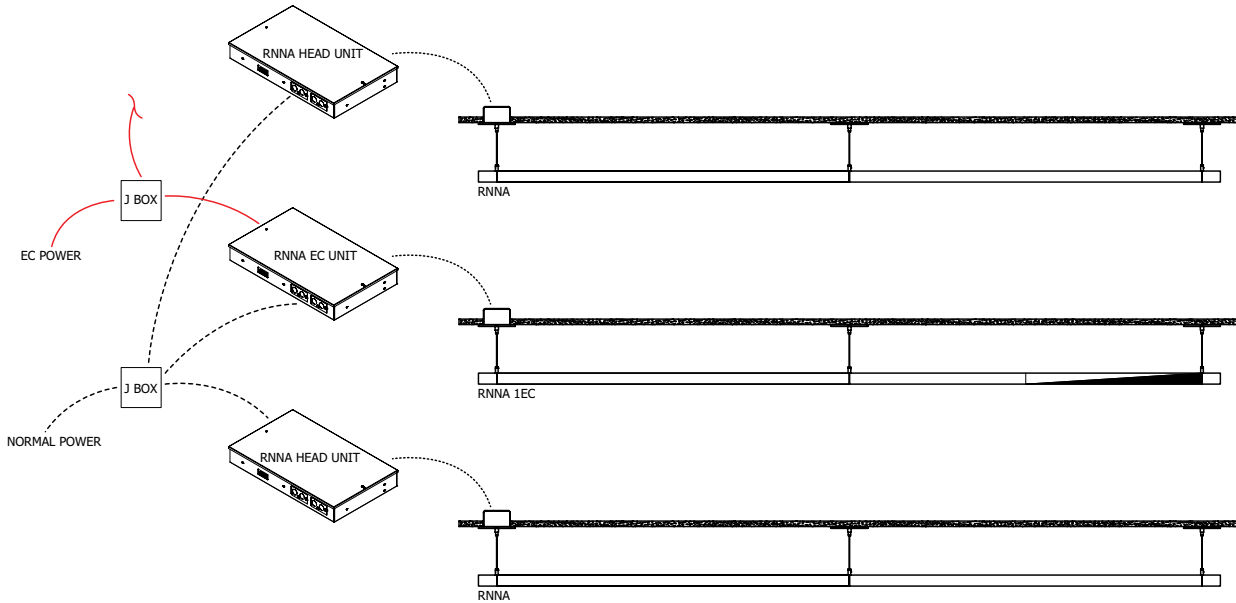
MOUNTING LOCATIONS



OVERALL DIMENSIONS
1'-8 3/4" x 1'-3/8" x 2 5/8"



TYPICAL BUILDING LAYOUT



*Emergency power for the Head Unit is not supposed to be daisy chained from another head unit.

EMERGENCY OPTIONS

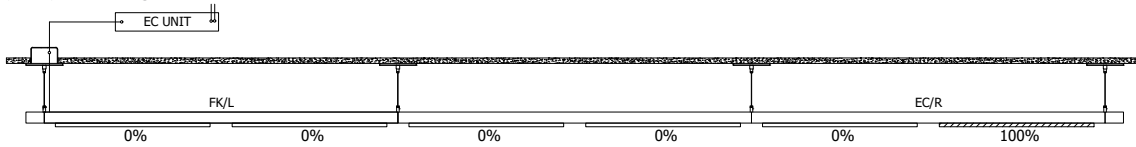
RNNAIDP

Emergency Options:

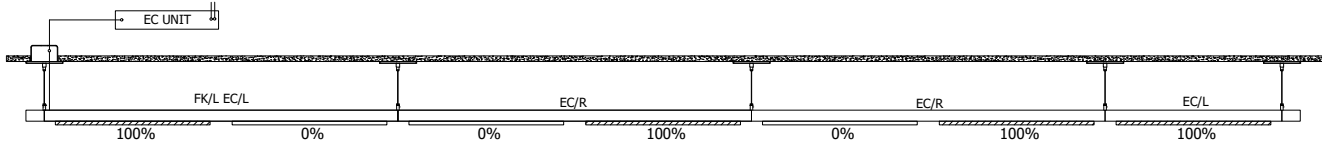
EC circuits default to the right side 4' section, of an 8' fixture (EC/R) and the complete section of a 4' fixture (EC/L). Single EC circuit defaults to the last 4' of the run. Dual EC circuits default to the last 4' of the run and the first 4' of the run. Additional circuits will be added from the end of the run using the last 4' of an 8' fixture or complete 4' fixtures. If the final fixture is a 2' fixture, the EC circuit will be placed at the next available 4' or 8' fixture section from the end of the run.

EXAMPLES OF TYPICAL EMERGENCY LAYOUTS.

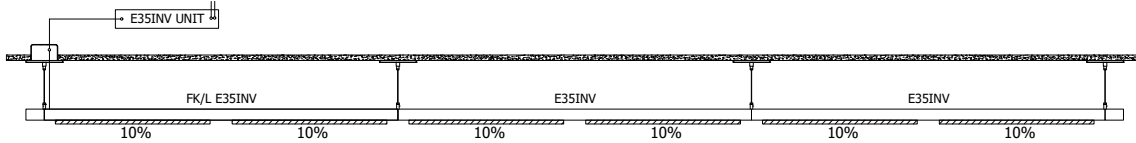
RNNAID LLP...IEC



RNNAID LLP...4EC



RNNAID LLP...E35INV

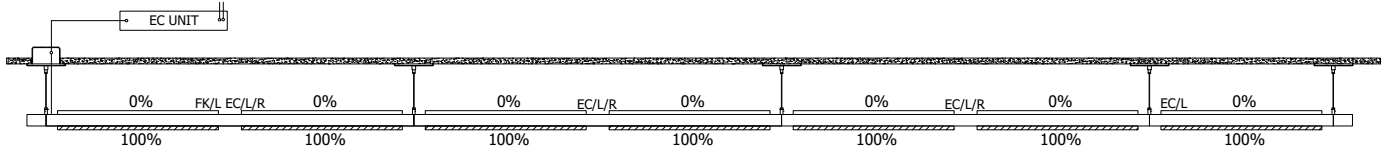


*During Emergency modes the indirect portion of the luminaire will be disabled.

** Representative of Linear runs only

EMERGENCY OPTIONS

RNN AID LLP ...WEC



PATTERNS



90FC12IN



90FCC12IN



90FC4IN

