



Fixture Type	Date
Job Name	Approved By
Catalog Number	

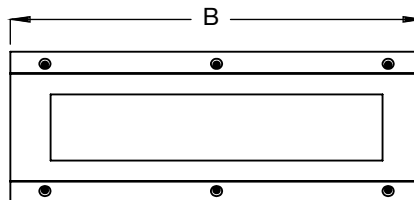
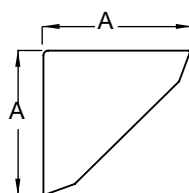
## SPECIFICATIONS



<b>Description</b>	The Super Max CMP Confinement Corner Mount Luminaire is ideally suited for behavioral institutions and correctional facilities. Available options provide suitability for minimum to maximum security locations. A ligature resistant design is standard for all variations of the Corner Mount series. Various materials and lumen outputs are available to satisfy nearly any conceivable institutional requirement.
<b>Housing</b>	One piece die formed housing, available in stainless or cold rolled steels. All corners and seams continuously welded smooth. Hinge design protects from unauthorized fixture entry.
<b>Mounting Plate</b>	Die formed from same material as housing. Integral mounting bosses provide for entrapment of concealed contraband. Provisions for heavy duty hardware for direct mounting to building surface. Integral side locks align housing to mounting plate via locking tabs.
<b>Gear Tray</b>	Field replaceable integral unit containing LED circuit board, driver, reflector, and modular wiring. Optional dimmable driver available. Designed for quick replacement within the cell environment. LED smart board design provides auto-compensate feature to ensure fail safe operation in the event of multiple LED chip failures. High efficacy, long-life mid-power board featuring Samsung 561B+ LED's mounted directly to integral heat sink for maximum thermal dissipation. Available with optional field adjustable LED night lights.
<b>Hinge</b>	Internal welded piano-type hinge (1/4" knuckle/ 1/8" diameter pin) standard. Optional full length hinge available. (CM12 - 12" length; CM13 & CM14 - 24" length).
<b>Lens</b>	Maximum combined thickness of 0.75" and a minimum thickness of 0.25". Clear lens combinations include high efficacy LED diffusion material.
<b>Lens Retention</b>	Vertically adjustable "Z" brackets secure lens to housing via internally welded stainless steel studs and heavy duty hardware.
<b>Fasteners</b>	Hardened tamper resistant security screws with cage nuts. Fully recessed.
<b>Finish</b>	Brushed stainless steel or electrostatically applied white polyester powder coating.
<b>LED</b>	Samsung LM561B+ series @ 2700K, 3000K, 3500K, 4000K, or 5000K and 82 CRI wired in parallel-series. L 70 projected life of over 130,000 hours at 50° C.
<b>UL Listing</b>	U.L., C.U.L. Damp Location Listing standard, Wet Location Listing optional.
<b>Government Procurement</b>	<b>BAA – Buy America(n) Act:</b> Product qualifies as a domestic end product under the Buy American Act as implemented in the FAR and DFARS. Product also qualifies as manufactured in the United States under DOT Buy America regulations. <b>BABA – Build America Buy America:</b> Product qualifies as produced in the United States under the definitions of the Build America, Buy America Act. Please refer to <a href="http://www.acuitybrands.com/buy-american">www.acuitybrands.com/buy-american</a> for additional information.
<b>Warranty</b>	<b>10-year</b> warranty on LED boards against operational defects. Tested in accordance with LM-80. Driver covered by manufacturer's warranty.
<b>Note</b>	Actual performance may differ as a result of end-user environment and application. All values are design or typical values, measured under laboratory conditions at 25 °C. Specifications subject to change without notice.

## DIMENSIONAL DATA

	A	B
CMP C12	9"	21"
CMP C13	9"	35"
CMP C14	9"	49"



## ORDERING INFORMATION

Example: CMP C12 H12CRSP MIN1 50W 27K 120 ALS 10ES BLK

Series*		Size (Nominal)*		Housing*		Drivers*		Wattage (Nominal)	Lumens (For PRD Only)
CMP	Corner Mount Luminaire for Correctional and Behavioral Health Spaces	C12	9" by 21"	H12CRSP	12ga Cold Rolled Steel Painted Housing	MIN1	Dimming to 1%	25W - C12 only	700LM - 6400LM - Lumens available in 100LM increments <i>Lumens required if PRD driver chosen</i>
		C13	9" by 35"	H12SSB	12ga Stainless Steel Housing	MIN10 <sup>1</sup>	Dimming to 10%	50W - C13 only	
		C14	9" by 49"	H14CRSP	14ga Cold rolled Steel Painted Housing	NODIM	Non-Dimming Driver	80W - C14 only	
				H14SSB	14ga Stainless Steel Housing	PRD	Driver Programmed to Specific Lumen Output. To specify lumens, see size and lumen chart, Consult Factory	<i>Required for all drivers except PRD driver</i>	
				H16CRSP	16ga Cold rolled Steel Painted Housing				
				H16SSB	16ga Stainless Steel Housing				

*PRD not available with Wattage  
PRD standard 0-10V dimming to 1%*

CCT*		Voltage*		Lamp Side Lens*		Environmental Side Lens*		Finish*	
27K	2700K	120	120 Volt	ALS	.125" DR Prismatic Acrylic Lamp Side	1ES	.125" Clear Polycarbonate Environmental Side	BLK	Black
30K	3000K	277	277 Volt	BLS	.125" Prismatic Polycarbonate Lamp Side	2ES	.187" Clear Polycarbonate Environmental Side	WHT	White
35K	3500K	MVOLT	120-277 Volt	CLS	.125" Clear Polycarbonate Lamp Side	3ES	.187" Clear Tempered Glass Environmental Side	BRZ	Bronze
40K	4000K	347	347 Volt	DLS	.156" Prismatic Polycarbonate Lamp Side	4ES	.250" Clear Acrylic Environmental Side	GRY	Gray
50K	5000K			D1LS	.187" Prismatic Polycarbonate Lamp Side	5ES	.250" Clear Polycarbonate Environmental Side	SIL	Silver
				ELS	.250" Clear Polycarbonate Lamp Side	6ES	.250" Clear Tempered Glass Environmental Side	BRSS	Brushed
				FLS	.250" Clear Tempered Glass Lamp Side	7ES	.375" Clear Polycarbonate Environmental Side	RALTBD	Ral Paint finishes
				GLS	.375" Clear Polycarbonate Lamp Side	8ES	.375" Clear Tempered Glass Environmental Side		<i>RALTBD for pricing only. Replace with applicable RAL call out when ready to order. See the RAL BROCHURE for available options BRSS only available with Stainless Steel</i>
				HLS	.375" Clear Tempered Glass Lamp Side	9ES	.500" Clear Polycarbonate Environmental Side		
				ILS	.500" Clear Polycarbonate Lamp Side	10ES	.500" Clear Tempered Glass Environmental Side		
				JLS	.500" Clear Tempered Glass Lamp Side	NOES	No Environmental Side Lens		
				NOLS	No Lamp Side Lens				

\*Required

## OPTIONS

Emergency	Environment	Fusing
EMB10ST <sup>1,2,3</sup> Self-testing, self contained, 90 minute emergency battery pack. 0°C (32°F) to 55°C (131°F) Meets CA Title 20 Standards. 1000 lumens	WL Wet Location	GLR <sup>4</sup> Fuse and Fuse Holder

Nightlight <sup>5,6</sup>	Hinge
AMBNL Amber LED Night Light with field adjustable levels with peak wavelengths at 593 nm. Requires separately controlled circuit.	FLH Full length hinge
LEDNL LED Night Light with field adjustable levels matched to CCT of main source. Requires separately controlled circuit.	
REDNL Red LED Night Light with field adjustable levels with peak wavelength at 621 nm. Requires separately controlled circuit.	

### Ordering Notes

- Not available with 347V.
- Not available in C12.
- Not available in C13 with MIN1.
- Not available with MVOLT or 347.
- Not available in C12 with 347V or C13 with 347V or EMB10ST.
- Not available in C12 with MIN1.

### Accessories: Order as separate catalog number

CTX TORX® Head Bit for High Security Confinement  
Initial shipment includes one (1) CTX per fixture.

## SIZE & LUMEN CHART (For PRD)

Size	Lumen Range
C12	700LM - 1900LM
C13	1600LM - 4400LM
C14	2300LM - 6400LM

## PHOTOMETRIC DATA

Model	Watts	Input Watts	Delivered Lumens				
			2700K	3000K	3500K	4000K	5000K
CMP C12	25W	27.1	1753	1753	1790	1846	1901
CMP C13	50W	54.6	4026	4069	4155	4284	4413
CMP C14	80W	81.7	5802	5864	5987	6173	6358
CMPxxx	PRD		Programmable Driver. Specify Delivered Lumens in Ordering Information, see Chart on page 2.				

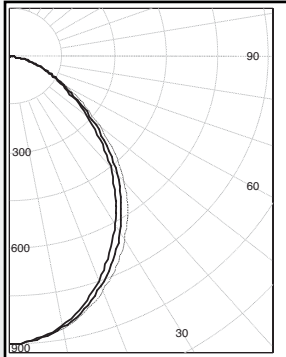
## PHOTOMETRIC DATA

### MODEL CMP C12 H16CRSP 25W ALS 4ES

Delivered Lumens: 1,710 Lumens

Total Power: 27.1W

Testing was performed in accordance with IES LM-79-08



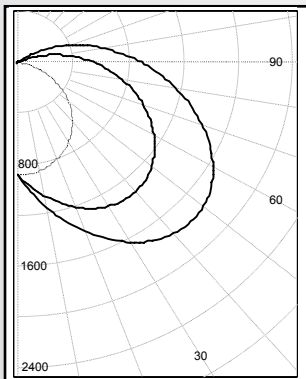
Zone	Lumens	% Lamps
0 - 30	637	37.3
0 - 40	987	57.7
0 - 60	1505	88.0
60 - 90	205	12.0
0 - 90	1710	100.0
90 -180	0	0.0
0 - 180	1710	100.0

### MODEL CMP C13 H16CRSP 50W ALS 4ES

Delivered Lumens: 3,967 Lumens

Total Power: 54.6W

Testing was performed in accordance with IES LM-79-08



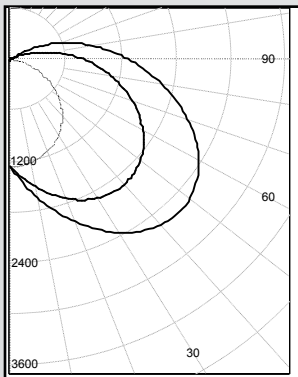
Zone	Lumens	% Lamps
0 - 30	717	18.1
0 - 40	1203	30.3
0 - 60	2293	57.8
60 - 90	1264	31.9
0 - 90	3557	89.7
90 -180	410	10.3
0 - 180	3967	100.0

### MODEL CMP C14 H16CRSP 80W ALS 4ES

Delivered Lumens: 5,716 Lumens

Total Power: 54.6W

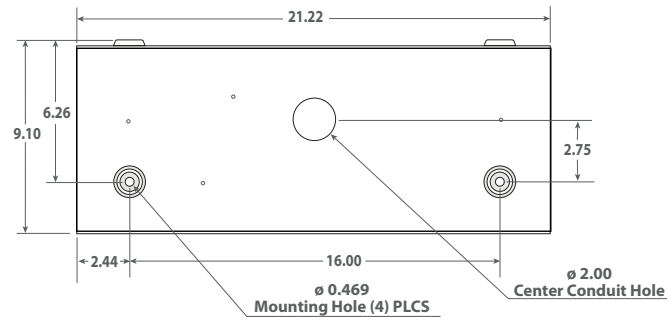
Testing was performed in accordance with IES LM-79-08



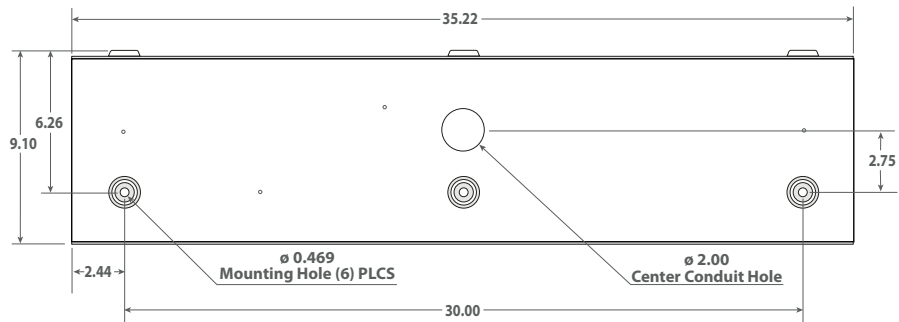
Zone	Lumens	% Lamps
0 - 30	1023	17.9
0 - 40	1720	30.1
0 - 60	3299	57.7
60 - 90	1834	32.1
0 - 90	5133	89.8
90 -180	583	10.2
0 - 180	5716	100.0

## MOUNTING PLATE DETAILS

### CMP C12



### CMP C13



### CMP C14

