



Fixture Type	Date
Job Name	Approved By
Catalog Number	

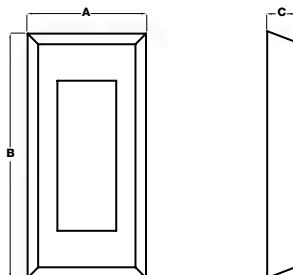
## SPECIFICATIONS



<b>Description</b>	The Super Max SMP Confinement Surface Mount Luminaire is ideally suited for behavioral institutions and correctional facilities. Available options provide suitability for minimum to maximum security locations. A ligature resistant design is standard for all variations of the Surface Mount series. Various materials and lumen outputs are available to satisfy nearly any conceivable institutional requirement.
<b>Housing</b>	One piece die formed housing, available in stainless or cold rolled steel. All corners and seams continuously welded smooth. Hinge design protects from unauthorized fixture entry.
<b>Mounting Plate</b>	Die formed from same material as housing. Integral mounting bosses provide for entrapment of concealed contraband. Provisions for heavy duty hardware for direct mounting to building surface. Integral side locks align housing to mounting plate via locking tabs.
<b>Gear Tray</b>	Field replaceable integral unit containing LED circuit board, driver, reflector, and modular wiring. Optional dimmable driver available. Designed for quick replacement within the cell environment. LED smart board design provides auto-compensate feature to ensure fail safe operation in the event of multiple LED chip failures. High efficacy Nichia LED's mounted directly to integral heat sink for maximum thermal dissipation. Available with optional field adjustable LED night lights.
<b>Hinge</b>	Internal welded and continuous piano-type hinge (1/4" knuckle/ 1/8" diameter pin) standard. Optional full length hinge available (SM12 & SM22 - 12" length; SM13 & SM23 - 23" length).
<b>Lens</b>	Maximum combined thickness of 0.75" and a minimum thickness of 0.25". Clear lens combinations include high efficacy LED diffusion material.
<b>Lens Retention</b>	Vertically adjustable "Z" brackets secure lens to housing via internally welded stainless steel studs and heavy duty hardware.
<b>Fasteners</b>	Hardened tamper resistant security screws with cage nuts. Fully recessed.
<b>Finish</b>	Brushed stainless steel or electrostatically applied white polyester powder coating.
<b>LED</b>	Nichia 3030 LED's @ 2700K, 3000K, 3500K, 4000K, or 5000K in 80 CRI. L70 projected life of >60,000 hours at 50° C.
<b>Government Procurement</b>	<b>BAA – Buy America(n) Act:</b> Product qualifies as a domestic end product under the Buy American Act as implemented in the FAR and DFARS. Product also qualifies as manufactured in the United States under DOT Buy America regulations. <b>BABA – Build America Buy America:</b> Product qualifies as produced in the United States under the definitions of the Build America, Buy America Act. Please refer to <a href="http://www.acuitybrands.com/buy-american">www.acuitybrands.com/buy-american</a> for additional information.
<b>UL Listing</b>	U.L., C.UL. Damp Location Listing standard, Wet Location Listing optional.
<b>Warranty</b>	<b>10-year warranty</b> on LED boards against operational defects. Tested in accordance with LM-80.
<b>Note</b>	Actual performance may differ as a result of end-user environment and application. All values are design or typical values, measured under laboratory conditions at 25 °C. Specifications subject to change without notice.

## DIMENSIONAL DATA

	A	B	C
SMP S12	11"	23"	2.75"
SMP S13	11"	37"	2.75"
SMP S22	17"	23"	2.75"
SMP S23	17"	37"	2.75"



## ORDERING INFORMATION

Example: SMP S12 H14CRSP MIN1 25W 27K 120 ALS 10ES WHT

Series*	Size (Nominal)* <sup>1</sup>	Housing*	Drivers*	Wattage (Nominal) <sup>1</sup>	Lumens (For PRD Only)
SMP Surface Mount Luminaire for Correctional and Behavioral Health Spaces	S12 <sup>2</sup> 11" by 23"	H12CRSP 12ga Cold Rolled Steel Painted Housing	MIN1 Dimming to 1%	15W	400LM - 10800LM - Lumens Available in 100LM Increments <i>Lumens required if PRD driver chosen</i>
	S13 <sup>3</sup> 11" by 37"	H12SSB 12ga Stainless Steel Housing	MIN10 Dimming to 10%	25W	
	S22 17" by 23"	H14CRSP 14ga Cold Rolled Steel Painted Housing	NODIM Non-Dimming Driver	50W	
	S23 17" by 37"	H14SSB 14ga Stainless Steel Housing	PRD Driver Programmed to Specific Lumen Output. To specify lumens, see size and lumen chart, Consult Factory	100W	
		H16CRSP 16ga Cold Rolled Steel Painted Housing	<i>PRD not available with Wattage PRD standard 0-10V dimming to 1%</i>	<i>Required for all drivers except PRD driver To specify wattage, see size and wattage chart</i>	
		H16SSB 16ga Stainless Steel Housing			

CCT*	Voltage*	Lamp Side Lens*	Environmental Side Lens*	Finish*
27K 2700K	120 120 Volt	ALS .125" DR Prismatic Acrylic Lamp Side	1ES .125" Clear Polycarbonate Environmental Side	BLK Black
30K 3000K	277 277 Volt	BLS .125" Prismatic Polycarbonate Lamp Side	2ES .187" Clear Polycarbonate Environmental Side	WHT White
35K 3500K	MVOLT 120-277 Volt	CLS .125" Clear Polycarbonate Lamp Side	3ES .187" Clear Tempered Glass Environmental Side	BRZ Bronze
40K 4000K		DLS .156" Prismatic Polycarbonate Lamp Side	4ES .250" Clear Acrylic Environmental Side	GRY Gray
50K 5000K		D1LS .187" Prismatic Polycarbonate Lamp Side	5ES .250" Clear Polycarbonate Environmental Side	SIL Silver
		ELS .250" Clear Polycarbonate Lamp Side	6ES .250" Clear Tempered Glass Environmental Side	BRSS Brushed
		FLS .250" Clear Tempered Glass Lamp Side	7ES .375" Clear Polycarbonate Environmental Side	RALTBD RAL Paint Finishes
		GLS .375" Clear Polycarbonate Lamp Side	8ES .375" Clear Tempered Glass Environmental Side	<i>RALTBD for pricing only. Replace with applicable RAL call out when ready to order. See the RAL BROCHURE for available options</i>
		HLS .375" Clear Tempered Glass Lamp Side	9ES .500" Clear Polycarbonate Environmental Side	
		ILS .500" Clear Polycarbonate Lamp Side	10ES .500" Clear Tempered Glass Environmental Side	<i>BRSS only available with Stainless Steel</i>
		JLS .500" Clear Tempered Glass Lamp Side	NOES <sup>7</sup> No Environmental Side Lens	
		NOLS <sup>7</sup> No Lamp Side Lens		

\*Required

## OPTIONS

Emergency	Environment	Fusing
EMB10ST <sup>4</sup> Self-testing, self contained, 90 minute emergency battery pack. 0°C (32°F) to 55°C (131°F). Meets CA Title 20 Standards. 1000 lumens	WL Wet Location	GLR <sup>5</sup> Fuse and Fuse Holder

Nightlight <sup>6</sup>	Hinge
AMBNL Amber LED Night Light with field adjustable levels with peak wavelengths at 593 nm. Requires separately controlled circuit. Consult factory for availability	FLH Full Length Hinge
LEDNL LED Night Light with field adjustable levels matched to CCT of main source. Requires separately controlled circuit	
REDNL Red LED Night Light with field adjustable levels with peak wavelength at 621 nm. Requires separately controlled circuit. Consult factory for availability	

### Ordering Notes

- See Size and Wattage Chart.
- Not available with MIN1 and Nightlight
- Not available with MIN1 and EMB10ST
- Not available in S12 or S22
- Not available with MVOLT
- Not available in S13 with EMB10ST
- Not available with NOLS and NOES together

Accessories: Order as separate catalog number
CTX TORX® Head Bit for High Security Confinement <i>Initial shipment includes one (1) CTX per fixture.</i>

## SIZE & WATTAGE CHART

Size	Wattage
SMP S12	15W   25W
SMP S13	25W   50W
SMP S22	25W   50W
SMP S23	50W   100W

## SIZE & LUMEN CHART (For PRD)

Size	Lumen Range
S12	400LM - 2400LM
S13	900LM - 5100LM
S22	900LM - 5400LM
S23	1900LM - 10800LM

## PHOTOMETRIC DATA

Model	Watts	Input Watts	Delivered Lumens				
			2700K	3000K	3500K	4000K	5000K
SMP S12	15W	14.6W	1483	1499	1530	1577	1625
SMP S12	25W	27.1W	2165	2188	2234	2303	2372
SMP S13	25W	27.0W	2489	2515	2568	2648	2727
SMP S13	50W	54W	4696	4746	4846	4995	5145
SMP S22	25W	27.4W	2627	2655	2711	2795	2879
SMP S22	50W	55W	4957	5010	5115	5273	5431
SMP S23	50W	55W	5261	5317	5429	5597	5765
SMP S23	100W	109W	9838	9943	10152	10466	10780
SMPxxx	PRD		Programmable Driver. Specify Delivered Lumens in Ordering Information, see Chart above.				

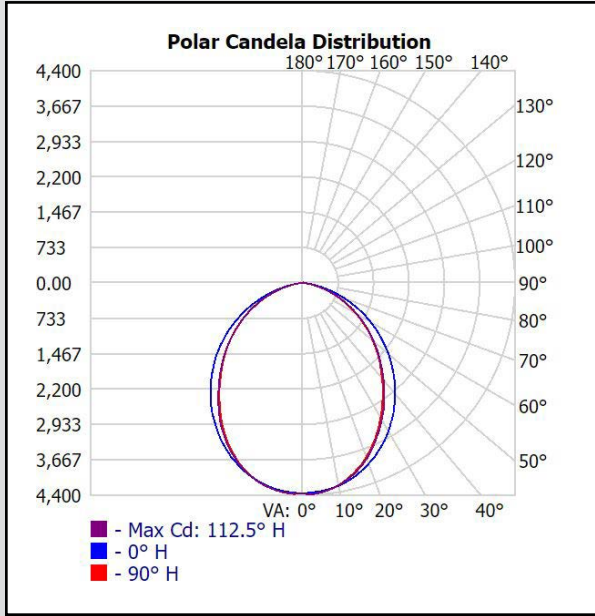
Performance data based upon SMP S23 H16CRSP 100W 40K CLS 1ES photometry file  
 (The CLS 1ES lens configuration represents .125" Clear Polycarbonate Lamp Side & .125" Clear Polycarbonate Environmental Side)

## PHOTOMETRIC DATA

Lumen values are from photometric tests from an accredited laboratory. Data is considered to be representative of the configurations shown, within generally accepted industry tolerances.

### MODEL SMP S23 H16CRSP 100W 40K CLS 1ES

Delivered Lumens: 10,466 Lumens



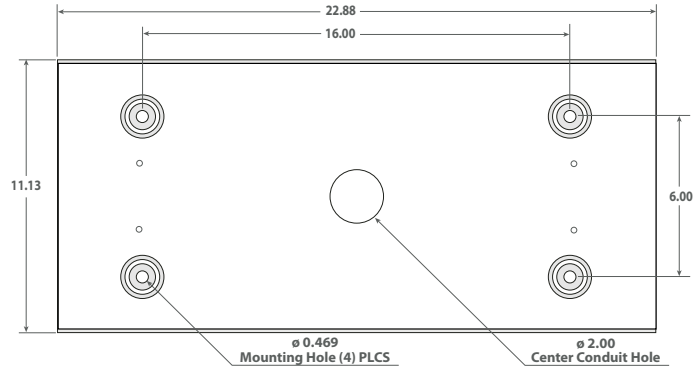
Total Power: 110W

Zone	Lumens	% Lamps
0 - 30	3282	31.4
0 - 40	5225	49.9
0 - 60	8711	83.2
60 - 90	1722	16.5
0 - 90	10433	99.7
90 -180	33	0.3
0 - 180	10466	100.0

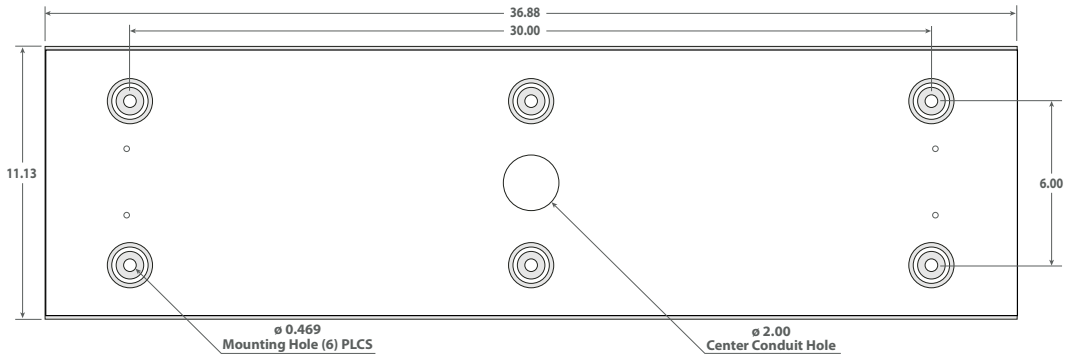
Testing was performed in accordance with IES LM-79-08

## MOUNTING PLATE DETAILS

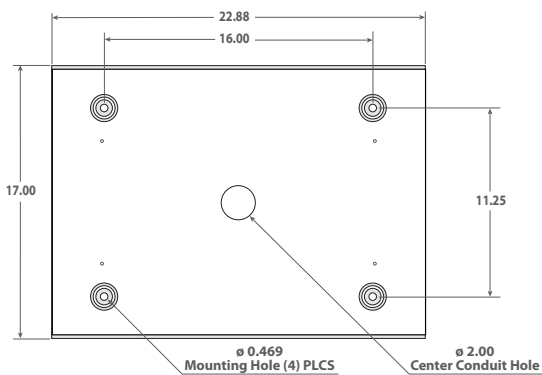
**SMP S12**



**SMP S13**



**SMP S22**



**SMP S23**

