



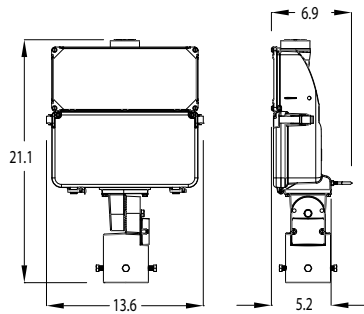
75LED Series UltraFlood™ Series 75LED Floodlight

PRODUCT OVERVIEW

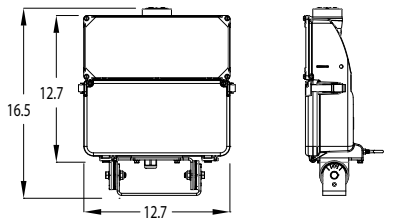


Applications:

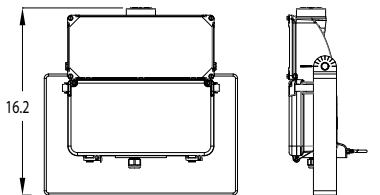
- Auto dealerships
- Schools
- Churches
- Industrial sites
- Shopping centers
- Parking lots
- Substations
- Building facades



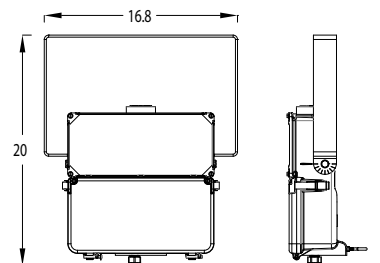
**TENON
SLIPFITTER**
Weight: 18.5 lbs
EPA: 1.32 sqft



TRUNNION
Weight: 17.35 lbs
EPA: 1.22 sqft



**YOKE
(DOWN)**
Weight: 19.35 lbs
EPA: 1.22 sqft



**YOKE
(UP)**
Weight: 19.35 lbs
EPA: 1.22 sqft

Features:

Mechanical

Low copper content die cast aluminum housings has integral heat sink fins to optimize thermal management through conductive and convective cooling. Bolted or optional stainless steel latch disengages top electrical cover for easy access to LED driver, surge protection, and terminal block. Four mounting options including trunnion, yoke and two variants on tenon slip-fitter. Tenon may be ordered with leads exiting the bottom or side of knuckle joint. All mounting variants can optionally be ordered either corded or individually jacketed wires.

Luminaire is vibration rated to 3G per ANSI C136.31-2018 and rated IP66 per IEC60068-2-3.

Rigorous five-stage pre-treating and painting process yields a finish that achieves a scribe creepage rating of 8 (per ASTM D1654) after over 5,000 hours exposure to salt fog chamber per ASTM B117.

The yoke is provided in either painted or galvanized steel. Knuckle mount is easily adjustable to fit 2-3/8 inch to 2-7/8 inch tenon.

Electrical

LED light engine is rated minimum 100,000 hours at 25C, L70. Electronic driver has an expected life of 100,000 hours at a 25C ambient.

MOV pack surge protection meets ANSI 10kV/5kA "Enhanced Level".

Driver power factor is 90% minimum. Driver meets maximum total harmonic distortion (THD) of 20% and is ROHS compliant.

Optical

PCB mounted LED technology comprised of multi-cluster LEDs on single metal core board. Segmented Miro internal reflectors are designed for superior field to beam ratios, uniformity, and spacing.

NEMA optical pattern choice of flood (5x5) and wide flood (6x6). The luminaire is available with 3000K, 4000K, and 5000K CCT with minimum CRI of 70.

Optional shielding available to control light trespass and uplight. Optical enclosure is flat glass lens.

Controls

3 pin and 7 pin rotatable NEMA photocontrol receptacles available.

Optional premium solid state locking- style photocontrol – DSS (10 year rated life).

Optional extreme long life solid state locking –style photocontrol – DLL (20 year rated life).

Optional onboard adjustable output module (AO) allows the light output and input wattage to be modified to meet site specific requirements.

0-10V continuous dimming is standard and supported with the AO and RSBOR options. DALI dimming control is optionally available as well. Both dimming types can be accomplished via a compatible control installed on the P7 receptacle as well.

Standards

Suitable for ambient temperatures from -40C to 40C.

CSA Certified to U.S. and Canadian standards.

DesignLights Consortium® (DLC) qualified product. Not all versions of this product may be DLC qualified. Please check the DLC Qualified Products List at www.designlights.org/QPL to confirm which versions are qualified.

75LED Series

UltraFlood™ Series 75LED

ORDERING INFORMATION

Series	LED Performance Package	Voltage	Optics	Color Temperature	Mounting Method
75LED	P10 6,000 Lumens P20 7,800 Lumens P30 12,000 Lumens P40 15,000 Lumens P50 19,000 Lumens P60 25,000 Lumens P70 27,000 Lumens	MVOLT Multi-volt (120V - 277V) 347 347V 480 480V	55 5x5 (flat glass) 66 6x6 (flat glass)	Blank 4000K CCT, 70 CRI Min 3K 3000K CCT, 70 CRI Min 5K 5000K CCT, 70 CRI Min	TM Tenon Slipfitter - knuckle (cord exit bottom slipfitter) KO Tenon Slipfitter - knuckle (cord exit side OR nLight Air mounting) TN Trunnion, painted steel TG Trunnion, galvanized YK Yoke, painted steel YG Yoke, galvanized steel

Color	Cord Length	Cord Type	Miscellaneous	Options / Controls
Blank Gray Paint BK Black Paint BZ Bronze Paint GI Graphite Paint WH White Paint	04 4 ft cord length 05 5 ft cord length 06 6 ft cord length 08 8 ft cord length 10 10 ft cord length	23 12 gage, 3 conductor 43 14 gage, 3 conductor 63 16 gage, 3 conductor	CS CSA Certified to US and Canadian Safety Stds. IBC Eye Bolt NL Nema Label TB Terminal block TL Tool-less entry with latches	Blank 3 Pin rotatable NEMA receptacle P7 7 Pin rotatable NEMA receptacle NR No NEMA Receptacle AO Field Adjustable Output DALI DALI Driver - Consult Factory PCLL Solid State Long Life Photocontrol PCSS Solid State Lighting Photocontrol LRSBOR nLight Air Occ. and daylight sensor (8-15 ft) HRSBOR nLight Air Occ. and daylight sensor (15-30 ft) SH Shorting Cap

Accessories (Shipped Separately)

75LED1FVBZ	UltraFlood™ 75LED Full Visor with with Bronze Paint
75LED1FVBK	UltraFlood™ 75LED Full Visor with Black Paint
75LED1FVGY	UltraFlood™ 75LED Full Visor with Gray Paint
75LED1FVWH	UltraFlood™ 75LED Full Visor with White Paint
75LED1FVGI	UltraFlood™ 75LED Full Visor with Graphite Paint
75LED1UBVBZ	UltraFlood™ 75LED Upper/Bottom Visor with Bronze Paint
75LED1UBVBK	UltraFlood™ 75LED Upper/Bottom Visor with Black Paint
75LED1UBVGY	UltraFlood™ 75LED Upper/Bottom Visor with Gray Paint
75LED1UBVWH	UltraFlood™ 75LED Upper/Bottom Visor with White Paint
75LED1UBVGI	UltraFlood™ 75LED Upper/Bottom Visor with Graphite Paint
75LED1VG	UltraFlood™ 75LED Vandal Guard
75LED1WG	UltraFlood™ 75LED Wire Guard



AEL Headquarters, One Lithonia Way, Conyers Georgia 30012
 www.americanelectricalighting.com Phone: 1-866-HOLOPHANE
 Email: TechSupportINF@AcuityBrands.com

© 2016-2023 Acuity Brands Lighting, Inc. All Rights Reserved. 75LED Rev. 01/05/23

Warranty Five-year limited warranty. This is the only warranty provided and no other statements in this specification sheet create any warranty of any kind. All other express and implied warranties are disclaimed. Complete warranty terms located at: www.acuitybrands.com/support/warranty/terms-and-conditions

Note: Actual performance may differ as a result of end-user environment and application. All values are design or typical values, measured under laboratory conditions at 25 °C. Specifications subject to change without notice.

Please contact your sales representative for the latest product information.

75LED Series

UltraFlood™ Series 75LED

OPTIONS MATRIX

75LED		LED Packages						Voltage			Options										Misc					
		P10	P20	P3	P40	P50	P60	P70	MVOLT	347	480	P7	P3	NR	PCLL	PCSS	HRSBOR	LRSBOR	SH	AO	DALI	TL	IBC	TB	NL	CS
LED Packages	P10							Y	Y	Y	Y	Y	Y	Y	Y	Y	Y	Y	Y	Y	Y	Y	Y	Y	Y	Y
	P20							Y	Y	Y	Y	Y	Y	Y	Y	Y	Y	Y	Y	Y	Y	Y	Y	Y	Y	Y
	P30							Y	Y	Y	Y	Y	Y	Y	Y	Y	Y	Y	Y	Y	Y	Y	Y	Y	Y	Y
	P40							Y	Y	Y	Y	Y	Y	Y	Y	Y	Y	Y	Y	Y	Y	Y	Y	Y	Y	Y
	P50							Y	Y	Y	Y	Y	Y	Y	Y	Y	Y	Y	Y	Y	Y	Y	Y	Y	Y	Y
	P60							Y	Y	Y	Y	Y	Y	Y	Y	Y	Y	Y	Y	Y	Y	Y	Y	Y	Y	Y
	P70							Y	Y	Y	Y	Y	Y	Y	Y	Y	Y	Y	Y	Y	Y	Y	Y	Y	Y	Y
Voltage	MVOLT	Y	Y	Y	Y	Y	Y				Y	Y	Y	Y	Y	Y	Y	Y	Y	Y	Y	Y	Y	Y	Y	
	347	Y	Y	Y	Y	Y	Y				Y	Y	Y	Y	N	Y	Y	Y	Y	Y	Y	Y	Y	Y	Y	
	480	Y	Y	Y	Y	Y	Y				Y	Y	Y	Y	N	Y	Y	Y	Y	Y	Y	Y	Y	Y	Y	
Options	P7	Y	Y	Y	Y	Y	Y	Y	Y	Y		N	N	Y	Y	N	N	Y	Y	Y	Y	Y	Y	Y	Y	
	P3	Y	Y	Y	Y	Y	Y	Y	Y	Y	N		N	Y	Y	N	N	Y	Y	Y	Y	Y	Y	Y	Y	
	NR	Y	Y	Y	Y	Y	Y	Y	Y	Y	N	N		N	N	Y	Y	N	Y	Y	Y	Y	Y	Y	Y	
	PCLL	Y	Y	Y	Y	Y	Y	Y	Y	Y	Y	Y	N		N	N	N	N	Y	N	N	Y	Y	Y	Y	
	PCSS	Y	Y	Y	Y	Y	Y	Y	Y	N	N	Y	Y	N	N				N	Y	N	Y	Y	Y	Y	
	HRSBOR	Y	Y	Y	Y	Y	Y	Y	Y	Y	Y	N	N	Y	N				N	N	N	Y	Y	Y	Y	
	LRSBOR	Y	Y	Y	Y	Y	Y	Y	Y	Y	Y	N	N	Y	N				N	N	N	Y	Y	Y	Y	
	SH	Y	Y	Y	Y	Y	Y	Y	Y	Y	Y	Y	Y	N	N	N	N	N		Y	Y	Y	Y	Y	Y	
	AO	Y	Y	Y	Y	Y	Y	Y	Y	Y	Y	Y	Y	Y	Y	Y	N	N	Y		N	Y	Y	Y	Y	
	DALI	Y	Y	Y	Y	Y	Y	Y	Y	Y	Y	Y	Y	N	N	N	N	Y	N			Y	Y	Y	Y	
Misc	TL	Y	Y	Y	Y	Y	Y	Y	Y	Y	Y	Y	Y	Y	Y	Y	Y	Y	Y	Y	Y		Y	Y	Y	
	IBC	Y	Y	Y	Y	Y	Y	Y	Y	Y	Y	Y	Y	Y	Y	Y	Y	Y	Y	Y	Y	Y		Y	Y	
	TB	Y	Y	Y	Y	Y	Y	Y	Y	Y	Y	Y	Y	Y	Y	Y	Y	Y	Y	Y	Y	Y		Y	Y	
	NL	Y	Y	Y	Y	Y	Y	Y	Y	Y	Y	Y	Y	Y	Y	Y	Y	Y	Y	Y	Y	Y	Y		Y	
	CS	Y	Y	Y	Y	Y	Y	Y	Y	Y	Y	Y	Y	Y	Y	Y	Y	Y	Y	Y	Y	Y	Y	Y		



AEL Headquarters, One Lithonia Way, Conyers Georgia 30012
 www.americanelectriclighting.com Phone: 1-866-HOLOPHANE
 Email: TechSupportINF@AcuityBrands.com

© 2016-2023 Acuity Brands Lighting, Inc. All Rights Reserved. 75LED Rev. 01/05/23

Warranty Five-year limited warranty. This is the only warranty provided and no other statements in this specification sheet create any warranty of any kind. All other express and implied warranties are disclaimed. Complete warranty terms located at: www.acuitybrands.com/support/warranty/terms-and-conditions

Note: Actual performance may differ as a result of end-user environment and application. All values are design or typical values, measured under laboratory conditions at 25 °C. Specifications subject to change without notice.

Please contact your sales representative for the latest product information.

75LED Series

UltraFlood™ Series 75LED

PERFORMANCE PACKAGES

75LED	Distribution	Input Watts	3000K		4000K		5000K		LDD @ 25°C		
			Lumens	LPW	Lumens	LPW	Lumens	LPW	50k hours	75k hours	100k hours
P10	55	39	6,120	158	6,241	161	6,354	164	0.92	0.89	0.85
	66		6,315	163	6,439	167	6,556	170			
P20	55	49	7,815	158	7,969	161	8,114	164	0.92	0.89	0.85
	66		8,064	163	8,222	166	8,371	169			
P30	55	75	11,950	159	12,185	162	12,406	165	0.92	0.89	0.85
	66		12,329	164	12,572	167	12,800	170			
P40	55	99	15,012	152	15,308	155	15,585	158	0.92	0.89	0.85
	66		15,489	157	15,794	160	16,079	163			
P50	55	129	19,358	150	19,740	153	20,097	156	0.92	0.89	0.85
	66		19,973	155	20,367	158	20,735	161			
P60	55	176	24,749	140	25,236	143	25,693	146	0.91	0.87	0.83
	66		25,534	145	26,038	148	26,508	150			
P70	55	192	25,983	135	26,495	138	26,975	141	0.88	0.83	0.78
	66		26,808	140	27,337	142	27,831	145			

Performance Package	Watts	Current (A)					
		120V	208V	240V	277V	347V	480V
P10	39	0.33	0.19	0.16	0.14	0.11	0.08
P20	49	0.41	0.24	0.20	0.18	0.14	0.10
P30	75	0.63	0.36	0.31	0.27	0.22	0.16
P40	99	0.83	0.48	0.41	0.36	0.29	0.21
P50	129	1.08	0.62	0.54	0.47	0.37	0.27
P60	176	1.47	0.85	0.73	0.64	0.51	0.37
P70	192	1.60	0.92	0.80	0.69	0.55	0.40

Ambient Temperature Factor				
0°C	15°C	25°C	35°C	40°C
1.03	1.01	1.00	0.99	0.98



AEL Headquarters, One Lithonia Way, Conyers Georgia 30012
 www.americanelectricalighting.com Phone: 1-866-HOLOPHANE
 Email: TechSupportINF@AcuityBrands.com

© 2016-2023 Acuity Brands Lighting, Inc. All Rights Reserved. 75LED Rev. 01/05/23

Warranty Five-year limited warranty. This is the only warranty provided and no other statements in this specification sheet create any warranty of any kind. All other express and implied warranties are disclaimed. Complete warranty terms located at: www.acuitybrands.com/support/warranty/terms-and-conditions

Note: Actual performance may differ as a result of end-user environment and application. All values are design or typical values, measured under laboratory conditions at 25 °C. Specifications subject to change without notice.

Please contact your sales representative for the latest product information.