

SLOT 1

RECESSED WALL
INTEGRAL DRIVER

HIGHLIGHTS

- 200 to 1000 nominal lumens per foot
- Flush, regressed, or edge view direct lens options
- Trimless or flange sheet rock options
- Flicker free dimming to 1%
- Total System Integration features 5-year limited warranty by Acuity Brands, covers all components and construction



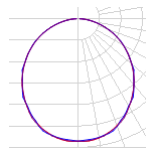
FIXTURE PERFORMANCE

Nominal Lumens/Foot	200LMF	400LMF	600LMF	800LMF	1000LMF
Delivered Lumens/Foot	211	387	568	777	976
Input Watts/Foot	1.76	3.28	4.94	7.00	8.97
Lumens/Watt	120	118	115	111	109

Based on a 4FT 90CRI 35K fixture with standard lambertian distribution and Flush Lens (FLL)



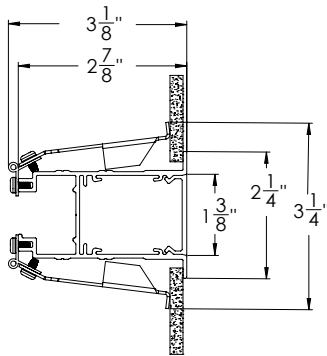
DIRECT DISTRIBUTION



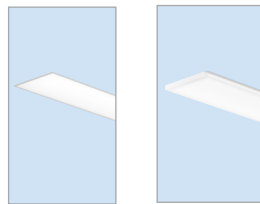
Lambertian (no optic)

DIMENSIONS

Section View



DIFFUSERS/SHIELDING



Flush Lens (FLL)

Edge View Lens
(EGLD)

ORDERING

Example: SIRWD LOP 15FT7 FL 90CRI 30K 200LMF SCT MIN1 FLL MVOLT FL/BLKT ZT

--	--	--	--	--	--	--

Series	Plan	Total Run Length	Ceiling Trim	Direct Light Source Color Rendering	Direct LED Color Temp	Direct LED Light Output
SIRWD Slot 1 Recessed Wall	LOP Linear optimized plan	_FT_ Specify continuous run length (in whole feet and inches, i.e. 24FT6 = 24' 6" (2' minimum) Unit length may affect available options. 2' & 3' only available as individual units For runs longer than 8FT: ALWAYS order the run by the TOTAL RUNLENGTH. Ordering the sections individually will not provide the correct joining hardware to allow connection in the field.	FL 3/8" Flange (sheetrock) GB Trimless (sheetrock) *For other ceiling types like wood slate, metal or large form factor tiles, consult factory.	90CRI 90 CRI	27K 2700K 30K 3000K 35K 3500K 40K 4000K 50K 5000K	200LMF 200 lumens per FT 400LMF 400 lumens per FT 600LMF 600 lumens per FT 800LMF 800 lumens per FT 1000LMF 1000 lumens per FT _LMF # lumens per FT Limited to 200LMF - 1000LMF in 50LMF increments

--	--	--	--	--	--	--

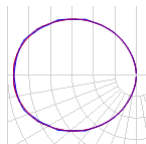
Switching	Minimum Dimming Level	Direct Shielding	Voltage	Trim Finish	Emergency Options
SCT Single Circuit	MINI Constant current, dimming to 1% MIN10 Constant current, dimming to 10%	FLL Flush lens RL Regressed lens EGLD Edge View direct lens	MVOLT Multi-volt, 120-277 120 120V 277 277V	(blank) White (satin) XXX/BLKT Black (satin) XXX/SLVT Silver (satin) XXX/AMF Anti-Microbial White (satin) XXX/RALTBD RAL paint finishes XXX = Ceiling Trim. Only trims are painted (FL/BLKT). RALTBD is for pricing only. Replace with applicable RAL number & finish when placing order.	(blank) No Emergency Option _E10WLCP¹ Total Number of 10W Battery Packs, Constant Power. Self Diagnostic, T20 Compliant _EC² Total Number of Emergency Circuits WEC EC Circuit for Entire Run GTD³ Generator Transfer Device (Remote) 1. Battery packs are remote. 2. EC is on entire section. 3. GTD is remote and on entire section. Requires 120 or 277 voltage selection.

--	--	--	--	--	--

Control Input	Primary Sensor	Secondary Zone	Tertiary Zone	Option
ZT 0-10V control	(blank) Select if single zone NS_ No Sensor. Main Zone (Specify zone length in feet.) Each zone needs it's own feed. (Single drop per zone) If indicating zones, minimum primary & secondary zones are required.	(blank) Select if single zone SNS_ No Sensor. Secondary Zone (Specify zone length in feet.) Each zone needs it's own feed. (Single drop per zone)	(blank) Select if single zone TNS_ No Sensor. Tertiary Zone (Specify zone length in feet.) Each zone needs it's own feed. (Single drop per zone)	(blank) No Option BAA Buy America(n) Act and/or Build America Buy America Qualified

Note: Unit length and lumen outputs may affect available options.

PHOTOMETRICS



Test Report: ISF 201609P11126
IES LM79-08
Catalog #: S1RWD 4FT 90CRI 35K 1000LMF FLL
Lumens: 3906
Wattage: 35.86
Efficacy: 108.90

PROJECT LED LUMEN MAINTENANCE

Data references the extrapolated performance projections for the platforms noted in a 25°C ambient, based on 10,000 hours of LED testing (tested per IESNA LM-80-08 and projected per IESNA TM-21-11). To calculate LLF, use the lumen maintenance factor that corresponds to the desired number of operating hours below. For other lumen maintenance values, contact factory.

Operating Hours	0	10,000	60,000	100,000
Lumen Maintenance Factor	1	0.98	0.84	0.75

CCT SCALING CHART

CCT	CRI	MULTIPLIER	R9
27K	90CRI	0.94	56.13
30K	90CRI	0.98	61.85
35K	90CRI	1.00	85.39
40K	90CRI	1.01	87.03
50K	90CRI	1.01	80.34

Lumen scaling charts can be used to approximate the lumen values at different Kelvin temperatures, color rendering indices, optics, or shielding.
Example: Calculating the lumen change from 90CRI 35K to 90CRI 40K = Lumen output for S1RWD 4FT 90CRI 35K 1000LMF FLL (3906) x 1.01 multiplier = 3948 lumen

OPTICAL SCALING CHARTS

SHIELDING	MULTIPLIER
RL	0.80
FLL	1.00
EGLD	1.08

*Base fixture with Lambertian distribution and flush lens (FLL)

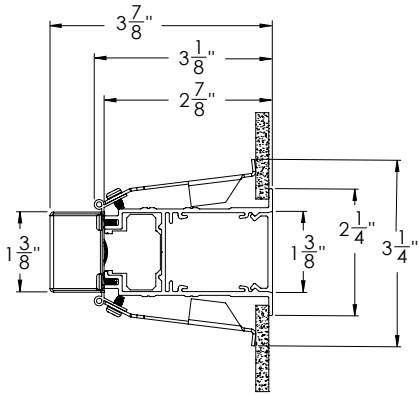
50LMF INCREMENT SCALING CHART

NOMINAL LMF	LUMEN	WATTAGE
	MULTIPLIER	MULTIPLIER
200LMF	0.37	0.36
250LMF	0.45	0.44
300LMF	0.53	0.52
350LMF	0.60	0.59
400LMF	0.68	0.67
450LMF	0.76	0.75
500LMF	0.84	0.83
550LMF	0.92	0.92
600LMF	1.00	1.00
650LMF	1.09	1.11
700LMF	1.18	1.21
750LMF	1.28	1.32
800LMF	1.37	1.42
850LMF	1.46	1.52
900LMF	1.54	1.62
950LMF	1.63	1.72
1000LMF	1.72	1.82

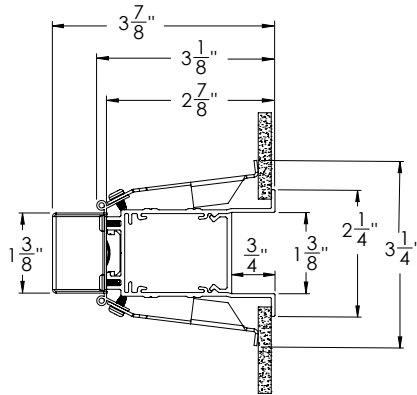
*Base fixture with Lambertian distribution, flush lens (FLL), and 600LMF

MOST COMMON MOUNTING TYPES AND OPTIONS

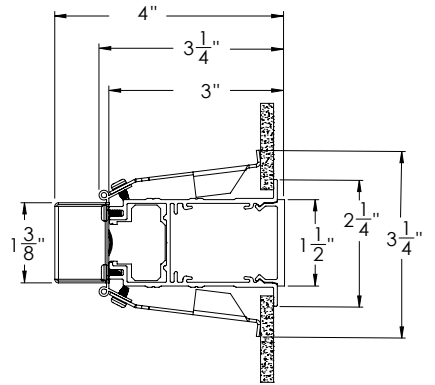
*Recommend installation into 1/2" thick drywall. Workable range is minimum 3/8" to maximum 5/8" thick drywall.
*Accepts 3/8" conduit only
*Junction box (by others) and conduit (by others) must be within 6-feet of fixture feed end and within 50-feet of Modulus head unit.



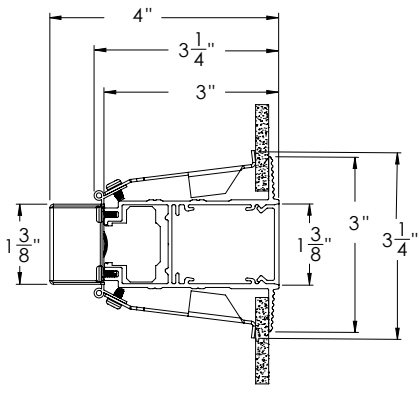
FL Flush Lens
(Sheetrock, flanged)



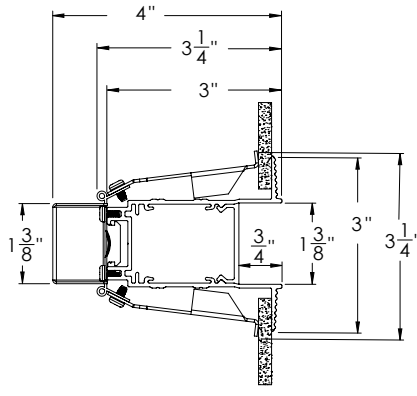
FL Regressed Lens
(Sheetrock, flanged)



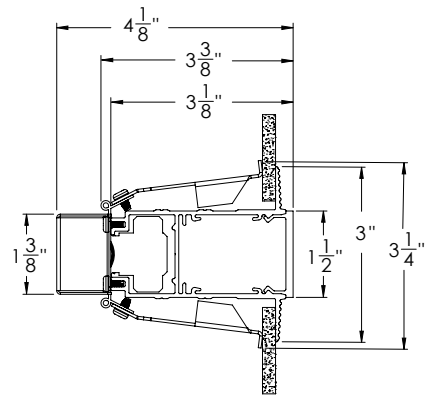
FL Edge View Direct Lens
(Sheetrock, flanged)



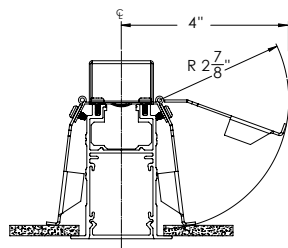
GB Flush Lens
(Sheetrock, trimless)



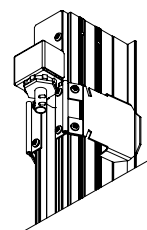
GB Regressed Lens
(Sheetrock, trimless)



GB Edge View Direct Lens
(Sheetrock, trimless)



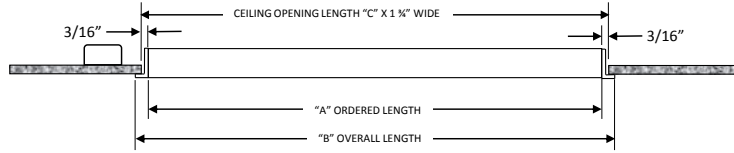
Required Mount Clearance
(Same for Sheetrock, flanged or trimless)



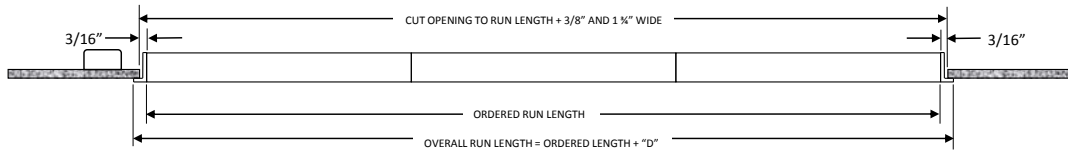
Isometric View Conduit Connector & Bracket
(Same for Sheetrock, flanged or trimless)

LINEAR PLAN

Mark Lighting offers the ability to provide a continuous run plan to suit your requirements by optionally offering three different methods of configuration.

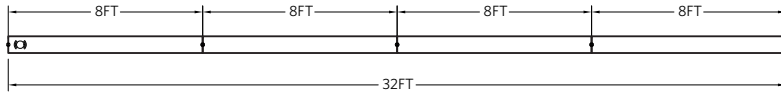


"A" ORDERED LENGTH	FL & GB MOUNTING					APPROX. WEIGHT
	B FL	B GB	C FL/GB	D FL	D GB	
2FT	2'- 3/4"	2'- 13/4"	2'- 3/8"	3/4"	13/4"	3LBS
3FT	3'- 3/4"	3'- 13/4"	3'- 3/8"	3/4"	13/4"	5LBS
4FT	4'- 3/4"	4'- 13/4"	4'- 3/8"	3/4"	13/4"	7LBS
5FT	5'- 3/4"	5'- 13/4"	5'- 3/8"	3/4"	13/4"	8LBS
6FT	6'- 3/4"	6'- 13/4"	6'- 3/8"	3/4"	13/4"	10LBS
7FT	7'- 3/4"	7'- 13/4"	7'- 3/8"	3/4"	13/4"	11LBS
8FT	8'- 3/4"	8'- 13/4"	8'- 3/8"	3/4"	13/4"	13LBS

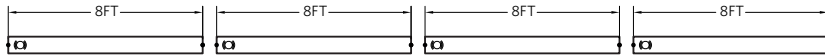


Total Run Length

This system is not modular. Runs longer than 8FT will be automatically configured with left, intermediate and right sections, based on the TOTAL RUN LENGTH. Always order the total run length, not the individual sections.



Example: This run must be ordered as 1 pc "S1RWD LOP 32FT..."



Example: If you order as 4pcs "S1RWD LOP 8FT..." you will receive these INDIVIDUAL sections that cannot be joined together.

Patterns

Slot 1 LED patterns can be configured in 1' increments with illuminated 90° standard 2' corners, Xs & Ts. For custom angles, corner or junction lengths, consult factory. See pattern spec sheet for more details.

INTELLIGENT LUMINAIRE CHARTS

Choose nomenclature from these columns					
Driver Configurations	Minimum Dimming Level	Control Input	Driver	Dimming Range	Notes
	MINIO	ZT	Acuity Low Profile Driver	100 to 10%	Linear Dimming, supplied with lead for 0-10v control
	MINI	ZT	Acuity Low Profile Driver	100 to 1%	Linear Dimming, supplied with lead for 0-10v control

EMERGENCY OPTIONS

SIRWD

Single EC circuit defaults to the last section of the run.
Two EC circuits default to the last 2 sections of the run.
Battery pack & GTD are remote, see detail below.

EXAMPLES

WEC
(WHOLE RUN ON EMERGENCY CIRCUIT)



EC



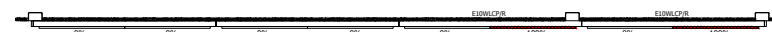
MULTIPLE EC



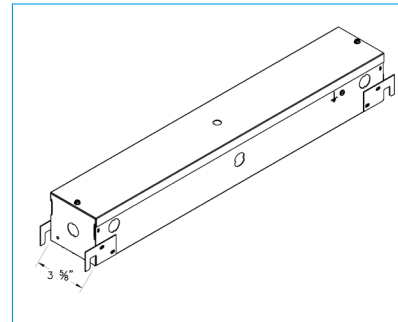
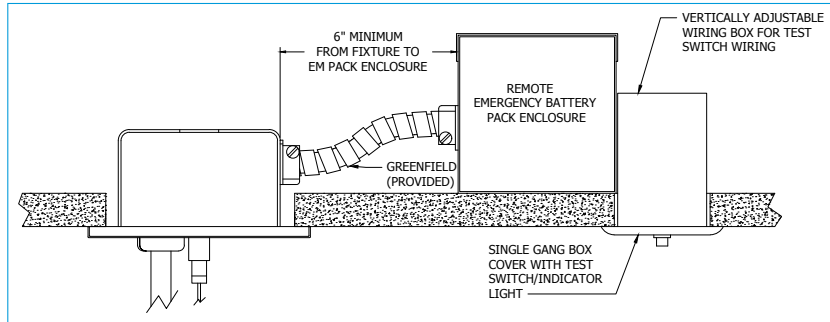
E10WLCP
(REMOTE BATTERY)



MULTIPLE E10WLCP
(REMOTE BATTERY)

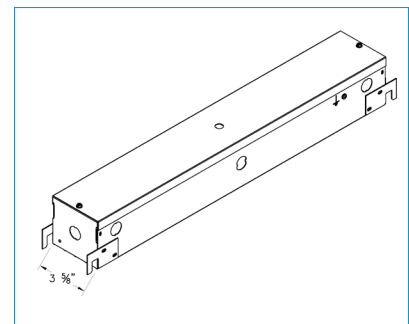
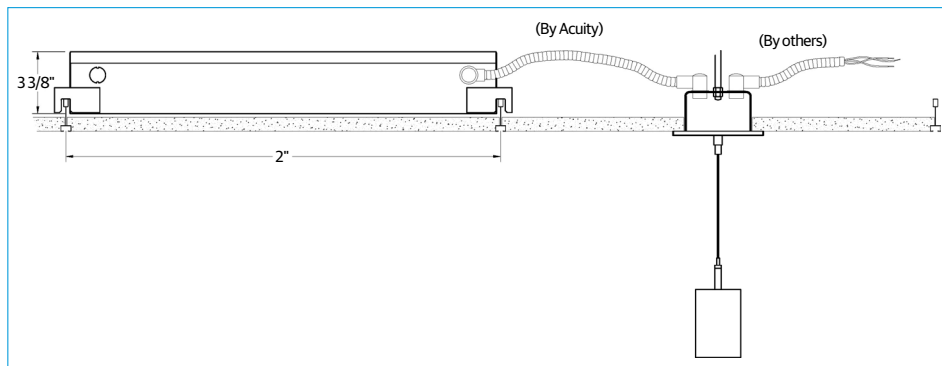


Remote Battery Pack Mounting



Remote GTD Mounting Option

Recessed in ceiling. Consult factory for other ceiling types or canopy options.
6 foot flexible conduit included, GTD option should be mounted within 6 feet of junction box above fixture.



Accessible Ceiling

SPECIFICATIONS

Housing

Nominal 2" x 2', 3', 4', 5', 6', 7', 8' and continuous rows in 1" increments as standard, upper housing fabricated from cold-rolled steel with extruded aluminum wall trim.

Finish

White, black, silver, or anti-microbial white powdercoat.

Reflector

Precision-formed steel; high reflectance matte white powder coat; 93% reflectivity.

Shielding

Direct flush lens (FLL), regressed lens (RL), and edge view (EGLD) shielding options available.

LED Components

Linear: Nichia®- 757 series LED chips (>80 CRI)

Electrical

Long-life LEDs, coupled with high-efficiency drivers, provide superior quantity and quality of illumination for extended service life. 90% LED lumen maintenance at 60,000 hours (L90/60,000).

Color Consistency

The Acuity Brands circuit boards for the linear LED components use a precise binning algorithm which creates a consistent color temperature from board to board. The color a variation of no greater than a 2.5 Step MacAdam (2.5SDCM) along the black body locus from board to board.

Driver

Acuity Low Profile Driver provides natural dimming with smooth, continuous and flicker-free deep dimming. Supports operation between 120 VAC and 277 VAC, with low inrush current (NEMA 410) and THD < 20%. Meets FCC Title 47 C.F.R. 15 Class A or Class B requirements. Lutron high performance driver options also available.

Acuity luminaires incorporating this driver performs within the recommended operating areas for flicker as a function of frequency and modulation (%) outlined in IEEE Standard 1789-2015 (IEEE Recommended Practices for Modulating Current in High-Brightness LEDs for Mitigating Health Risks to Viewers), in typical operating conditions at representative dimming levels.

Certification

UL Certified to meet U.S. and Canadian standards (UL1598). This product is IC rated.

DesignLights Consortium® (DLC) Premium qualified product and DLC qualified product. Not all versions of this product may be DLC Premium qualified or DLC qualified. Please check the DLC Qualified Products List at www.designlights.org/QPL to confirm which versions are qualified.

Environment

Suitable for damp location. Indoor use only.

Government Procurement

BAA - Buy America(n) Act: Product with the BAA option qualifies as a domestic end product under the Buy American Act as implemented in the FAR and DFARS. Product with the BAA option also qualifies as manufactured in the United States under DOT Buy America regulations.

BABA - Build America Buy America: Product with the BAA option also qualifies as produced in the United States under the definitions of the Build America, Buy America Act.

Please refer to www.acuitybrands.com/buy-american for additional information.

Warranty

5-year limited warranty. This is the only warranty provided and no other statements in this specification sheet create any warranty of any kind. All other express and implied warranties are disclaimed. Complete warranty terms located at: www.acuitybrands.com/support/warranty/terms-and-conditions

Note: Actual performance may differ as a result of end-user environment and application.

All values are design or typical values, measured under laboratory conditions at 25 °C.

Specifications subject to change without notice.