

FEATURES & SPECIFICATIONS

INTENDED USE — Built on the classic C-Strip chassis, HRTC is an extremely efficient high output strip light. HRTC is ideal for new construction or retrofit and can be used in industrial, commercial, manufacturing, warehouse or display applications. **Certain airborne contaminants can diminish the integrity of acrylic and/or polycarbonate.** [Click here for Acrylic-Polycarbonate Compatibility table for suitable uses.](#)

CONSTRUCTION — Cold rolled steel housing and cover, gloss finish, is easy to install and maintain. 4.5" wide acrylic lens provides uniform light distribution without creating a glare.

OPTICS — L70>100k hrs.

Multiple lumen packages are available to match the application.

LEDs provide nominal 80CRI and 4000K or 5000K lumens.

ELECTRICAL — Utilizes high output LEDs integrated into a cool running LED board. Multivolt drivers and 0-10V analog dimming comes standard. Meets commercial standard ANSI surge protection of 2.5kV at 0.75kA.

INSTALLATION — Tool-less channel cover for easy installation. Fixture may be surface mounted or suspended using the included Y hanger with 36" chain.

LISTINGS — UL listed for use in damp locations. Refer to ambient temperature rating table for surface and suspended mounting listing.

Please check the DLC Qualified Products List at www.designlights.org to confirm which versions are qualified.

WARRANTY — 5-year limited warranty. Complete warranty terms located at: www.acuitybrands.com/support/customer-support/terms-and-conditions

NOTE: Actual performance may differ as a result of end-user environment and application. All values are design or typical values, measured under laboratory conditions at 25 °C. Specifications subject to change without notice.

Catalog Number
Notes
Type

LED Striplight

HRTC

48" and 96" Lengths



ORDERING INFORMATION

Example: HRTC L48 5000LM MVOLT GZ10 40K 80CRI WH

Series	Length	Nominal lumens	Voltage	Driver	CCT	CRI	Options	Finish
HRTC	L48 48"	5000LM 5,000 lumens 8000LM 8,000 lumens	MVOLT 120- 277V 120 120V 277 277V	GZ10 0-10V dimming	40K 4000 K 50K 5000 K	80CRI 80 CRI	CNPW Cord no plug, 15 amp, 18 gauge, 3 conductor, white, damp location, 6 feet CPTLW Cord plug, locking type, 15 amp, 18 gauge, 3 conductor, white, damp location, 6 feet ¹ CPSBW Cord w/ Straight Blade Plug, 15 amp, 18 gauge, 3 conductor, white, damp location, 6 feet ¹ CPTL20W Cord plug, locking type, 20 amp, 18 gauge, 3 conductor, white, damp location, 6 feet ²	WH White
	L96 96"	10000LM 10,000 lumens 16000LM 16,000 lumens						

UL LISTED AMBIENT RATING*			
		Surface	Suspended
L48	5000LM	55°C	55°C
	8000LM	45°C	50°C
L96	10000LM	55°C	55°C
	16000LM	45°C	50°C

*Minimum Ambient is -20°C unless noted

Notes

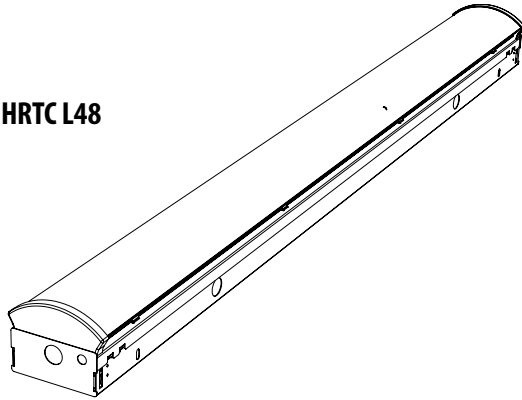
- 1 Must specify voltage. Not available with MVOLT.
- 2 CPTL20W only available with 277V.

OPERATIONAL DATA				
Length	Nominal Lumens	Input Wattage	CCT	Lumens (LPW)
L48	5000LM	27.4	40K	4700 (172)
			50K	4784 (174)
	8000LM	46.0	40K	7847 (170)
			50K	7987 (174)
L96	10000LM	64.3	40K	10658 (166)
			50K	10848 (169)
	16000LM	92.0	40K	16000 (174)
			50K	16285 (177)

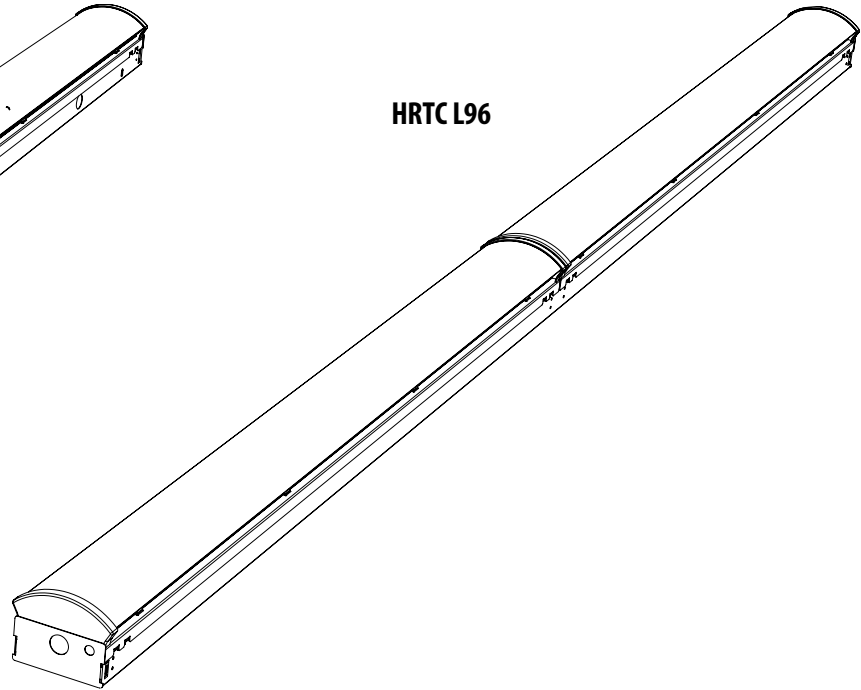
LUMEN MAINTENANCE*							
		Operating Hours					
		0	15,000	30,000	45,000	60,000	100,000
L48	5000LM	100.0%	97.0%	94.0%	91.0%	89.0%	83.0%
	8000LM	100.0%	97.0%	94.0%	91.0%	89.0%	83.0%
L96	10000LM	100.0%	97.0%	94.0%	91.0%	89.0%	83.0%
	16000LM	100.0%	97.0%	94.0%	91.0%	89.0%	83.0%

*Data projected for 25°C ambient

HRTC L48



HRTC L96



All dimensions are inches (centimeters) unless otherwise indicated.

	Length	Width	Height	Max Weight*
HRTC L48	48	4.71	3.65	8 lbs.
HRTC L96	96	4.71	3.65	16 lbs.

*adding options, weight will vary