

VISION VPF8

Vandal Resistant

VPF8 Series LED



WALL / CEILING/
PENDANT MOUNT
LED

Fixture Type	Date
Job Name	Approved By
Catalog Number	

SPECIFICATIONS

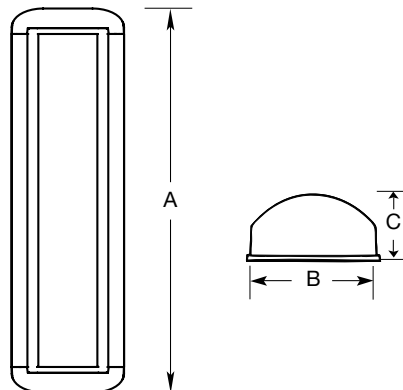
ADA
ADA Compliant



Description	The Vision VPF8 series features an all aluminum, ligature resistant construction which allows it to be used in nearly any environmental condition. Designed in conjunction with an ophthalmologist, the polycarbonate lens provides complete control of glare and LED image while maintaining the high efficiency of clear optical material. The Vision VPF8 series can be row mounted to any length. Natatorium finish is standard for all versions of this fixture.
Housing	Marine grade heat treated extruded aluminum. Finished with Super Durable Corrosion Resistant powder coat (SDCR) that meets AAMA 2605 high performance specification, providing superior UV durability and corrosion resistance. Salt spray test: 4,000 hours.
Lens	Extruded UV stabilized polycarbonate with integral prisms. Maximum wall thickness 0.160". Secured to housing with die cast aluminum clamps and stainless steel TORX® head screws.
End Caps	Die cast marine grade aluminum with conduit knockouts that are visible from interior of end cap.
Drivers	Dimming to 1%, 10% or Programmable Lumen Output driver options. Non-Dimming Driver is also available.
LED	2700K, 3000K, 3500K, 4000K, or 5000K and 82 CRI. L ₇₀ projected life of over 130,000 hours at 50°C.
UL Listing	U.L., C.U.L. Damp Location Listing standard, Wet Location Listing optional. IK10 standard.
Controls and System Networking Options	Optional integrated nLight® controls make each fixture addressable - allowing it to digitally communicate with other nLight enabled controls such as dimmers, switches, occupancy sensors, and photocontrols. Connection to nLight is simple. It can be accomplished with remote nLight AIR wireless or through standard Cat-5 cabling. (cabling "by others") nLight offers unique plug-and-play convenience as devices and luminaires automatically discover each other, while nLight AIR is commissioned easily through an intuitive mobile app.
Government Procurement	BAA – Buy America(n) Act: Product qualifies as a domestic end product under the Buy American Act as implemented in the FAR and DFARS. Product also qualifies as manufactured in the United States under DOT Buy America regulations. BABA – Build America Buy America: Product qualifies as produced in the United States under the definitions of the Build America, Buy America Act. Please refer to www.acuitybrands.com/buy-american for additional information.
Warranty	Lifetime warranty against vandalism. Luminaire LED will repair or replace any fixture damaged due to vandalism for the lifetime of the installation. 10-year warranty on LED boards against operational defects. Tested in accordance with LM-80. This is the only warranty provided and no other statements in this specification sheet create any warranty of any kind. All other express and implied warranties are disclaimed.
Note	Actual performance may differ as a result of end-user environment and application. All values are design or typical values, measured under laboratory conditions at 25 °C. Specifications subject to change without notice.

DIMENSIONAL DATA

	A	B	C
VPF8 2FT	27.64	8.75	3.96
VPF8 3FT	37.87	8.75	3.96
VPF8 4FT	49.68	8.75	3.96



ORDERING INFORMATION

Example: VPF8 4FT MIN1 2DRV 40W 27K 120 CLP WHT

Series*	Size (Nominal)**	Drivers*	Dual Driver (Optional)	Control Input	Wattage (Nominal)**	Lumens (For PRD Only)
VPF8 Vandal Resistant 8" Wide Wraparound Luminaire	2FT ^{1,2} 3FT 4FT	MIN1 Dimming to 1% MIN10 ⁵ Dimming to 10% NODIM Non-Dimming Driver PRD Driver programmed to specific lumen output, Consult Factory <i>PRD not available with Wattage. PRD standard 0-10V dimming to 1%</i>	2DRV ³ Two LED drivers for independent LED board operations	NLIGHT nLight NLTAIR2 nLight Air 2 Wireless Enabled	15W 50W 20W 70W 25W 100W 40W <i>Required for all drivers except PRD driver</i>	500LM - 11300LM - Lumens available in 100LM increments <i>Lumens required if PRD driver chosen</i>

CCT*	Voltage*	Lens*	Finish*
27K 2700K	120 120 Volt	CLP Clear Prismatic	BLK Black
30K 3000K	277 277 Volt	OP Opal	BRZ Bronze
35K 3500K	MVOLT 120-277 Volt		WHT White
40K 4000K	347 347 Volt		GRY Gray
50K 5000K			SIL Silver CUST Custom Color, Consult Factory RALTBD Ral Paint finishes <i>RALTBD for pricing only. Replace with applicable RAL call out when ready to order. See the RAL BROCHURE for available options</i>

*Required

OPTIONS

Emergency ⁵	
E10W ⁷ Self contained, 90 minute emergency battery pack. Meets CA Title 20 standards.	EMB20R ^{6,8} Remote mounted micro inverter that will operate a 25W maximum load for 90 min. 0°C (32°F) to 45°C (113°F). EMB125R ⁶ Remote inverter that will operate a maximum 125W load for 90 min. 20°C (68°F) to 30°C (86°F) EMB250R ⁶ Remote inverter that will operate a 250W maximum load for 90 min. 20°C (68°F) to 30°C (86°F) EMB375R ⁶ Remote inverter that will operate a 375W maximum load for 90 min. 20°C (68°F) to 30°C (86°F)

Pendant Type/Length	Back Box	Environment	Fusing	Photocell	Sensors ^{12,13}
Rigid Stems RG _{__} ^{9,10} (12" - 96") <i>Order in 12" increments up to 96".</i>	COR Corner mounted back box	WL ^{9,10} Wet Location	GLR ¹¹ Fuse and Fuse Holder	PC ^{11,12} Photoelectric Switch	OCC Microwave occupancy sensor mounted behind the lens. On/Off operation only. OCC50 ^{3,14} Microwave occupancy sensor. 50% of LED's constantly on and 50% sensed on/off. OCCBT Bluetooth connected microwave occupancy sensor mounted behind the lens. All LED board sensed to dim to 50%, 40%, 30%, 20%, or 10%, field selectable low levels. OCCFA Microwave occupancy sensor mounted behind the lens. All LED board sensed to dim to 50%, 40%, 30%, 20%, or 10%, field selectable low levels. Factory standard preset of 50% dimming level and 20 minute time out

Nightlight (Consult Factory)	Mounting Hardware	Hardware
AMBNL Amber LED Night Light with peak wavelengths at 593nm. Requires separately controlled circuit LEDNL LED Night Light with field adjustable levels matched to CCT of main source. Requires separately controlled circuit REDNL Red LED Night Light with field adjustable levels with peak wavelength at 621 nm. Requires separately controlled circuit. Consult factory for availability	DRPCP ^{9,10} Aluminum drip cap finished with white polyester powder coat to be used when pendant mounted	PHSC Phillips Head instead of TORX® head

Ordering Notes

- Not available with E10W and 2DRV or OCC50
- Not available with 15W and 2DRV or OCC50
- Not available in 3FT
- See Size and Wattage Chart
- Not available with 347V
- Not available with MVOLT
- Not available in 2FT
- Not available with Lumens over 2200 LM or Wattage over 25W
- Not available with COR
- WL and DRPCP is required with Rigid Stems (RG_)
- Not available with MVOLT or 347
- Not available with NLIGHT and NLTAIR2
- Not available with EMB20R, EMB125R, EMB250R, EMB375R
- Not available with 2DRV

Accessories: Order as separate catalog number.	
TXSD	TORX® Screwdriver Bit
<i>Initial shipment includes one (1) TXSD per fixture</i>	

SIZE & WATTAGE CHART

Size	Wattage
2FT	15W 25W 50W
3FT	20W 40W
4FT	25W 50W 70W 100W

SIZE & LUMEN CHART (FOR PRD)

Size	Lumen Range
2FT	500LM - 5500LM
3FT	700LM - 4300LM
4FT	1100LM - 11300LM

PHOTOMETRIC DATA

Model	Watts	Input Watts	Delivered Lumens		Delivered Lumens		Delivered Lumens		Delivered Lumens		Delivered Lumens	
			Clear	Opal	Clear	Opal	Clear	Opal	Clear	Opal	Clear	Opal
			2700K		3000K		3500K		4000K		5000K	
VPF8 2FT	15W	13.0W	1325	1227	1339	1240	1367	1266	1410	1306	1452	1345
VPF8 2FT	25W	26.6W	2879	2668	2910	2697	2971	2754	3063	2839	3155	2924
VPF8 2FT	50W	56.0W	5059	4689	5115	4742	5220	4839	5382	4989	5543	5138
VPF8 3FT	20W	19.5W	1988	1842	2010	1864	2052	1901	2115	1960	2178	2018
VPF8 3FT	40W	38.9W	3967	3677	4012	3718	4094	3795	4221	3912	4348	4030
VPF8 4FT	25W	26.6W	2879	2668	2910	2697	2971	2754	3063	2839	3155	2924
VPF8 4FT	50W	53.3W	5560	5154	5621	5211	5736	5317	5915	5483	6092	5647
VPF8 4FT	70W	74.0W	7783	7214	7869	7295	8030	7444	8280	7675	8528	7905
VPF8 4FT	100W	114.6W	10357	9601	10473	9709	10687	9906	11019	10214	11349	10520
VPF8 xFT	PRD		Programmable Driver. Specify Delivered Lumens in Ordering Information, see Chart above.									

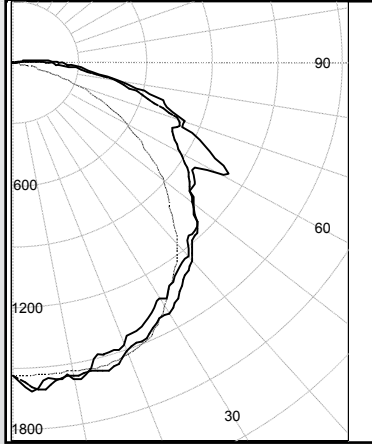
PHOTOMETRIC DATA

MODEL VPF8 4FT 50W 40K CLP

Delivered Lumens: 5,477 Lumens

Total Power: 54.0W

Testing was performed in accordance with IES LM-79-08



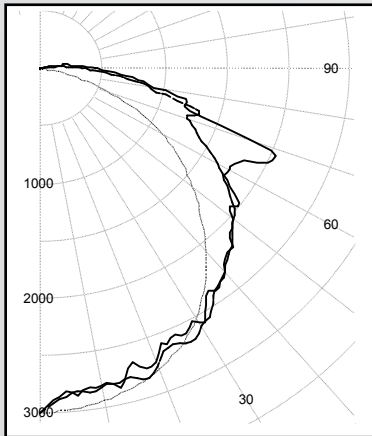
Zone	Lumens	% Lamps
0 - 30	1256	22.9
0 - 40	2072	37.8
0 - 60	3781	69.0
60 - 90	1557	28.4
0 - 90	5339	97.5
90 - 180	138	2.5
0 - 180	5477	100.0

MODEL VPF8 4FT 100W 40K CLP

Delivered Lumens: 10,203 Lumens

Total Power: 114.6W

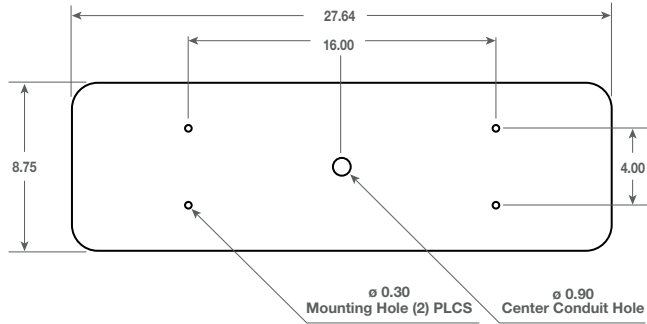
Testing was performed in accordance with IES LM-79-08



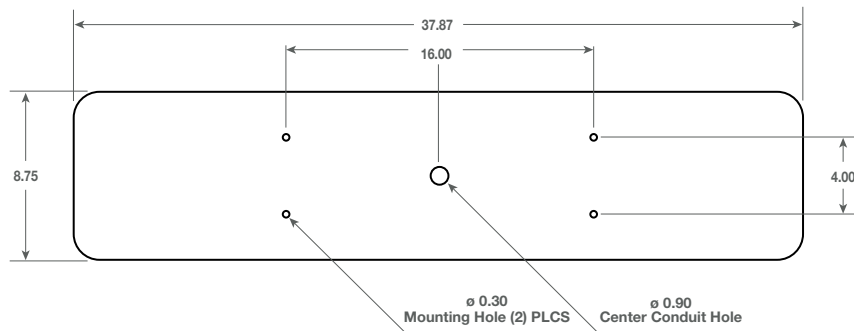
Zone	Lumens	% Lamps
0 - 30	2290	22.4
0 - 40	3796	37.2
0 - 60	6958	68.2
60 - 90	2963	29.0
0 - 90	9922	97.2
90 - 180	281	2.8
0 - 180	10203	100.0

MOUNTING PLATE DETAILS

VPF8 2FT



VPF8 3FT



VPF8 4FT

