

# VERTEX CLF7

Vandal Resistant

CLF7 Series LED



Fixture Type	Date
Job Name	Approved By
Catalog Number	

## SPECIFICATIONS

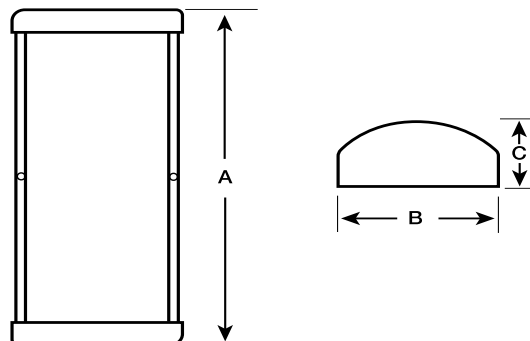
ADA  
ADA Compliant



<b>Description</b>	The Vertex CLF7 series combines sophisticated optical performance with an economical durable, steel construction that is typically used in applications where durability and price are both equally considered. Successful applications have included public schools, airports, industrial facilities and public rest areas. The Vertex CLF7 series is also available with energy saving occupancy sensors and can be continuous row mounted as needed.
<b>Housing</b>	Die formed 18 gauge cold rolled zinc coated steel. Aluminum housing is also available. Finished with electrostatically applied polyester powder coat.
<b>Lens</b>	Extruded UV stabilized polycarbonate with integral prisms. Maximum wall thickness 0.160". Secured to housing with injection molded end caps and 2 captive stainless steel TORX® head screws.
<b>End Caps</b>	Injection molded UV stabilized polycarbonate with minimum wall thickness 0.140". Secured to housing with 2 captive stainless steel TORX® head screws per side. Provisions for surface conduit entry.
<b>Drivers</b>	Dimming to 1%, 10% or Programmable Lumen Output driver options. Non-Dimming Driver is also available.
<b>LED</b>	Samsung LM561B+ series @ 2700K, 3000K, 3500K, 4000K, or 5000K and 82 CRI wired in parallel-series. L <sub>70</sub> projected life of over 130,000 hours at 50°C.
<b>Government Procurement</b>	<b>BAA – Buy America(n) Act:</b> Product qualifies as a domestic end product under the Buy American Act as implemented in the FAR and DFARS. Product also qualifies as manufactured in the United States under DOT Buy America regulations. <b>BABA – Build America Buy America:</b> Product qualifies as produced in the United States under the definitions of the Build America, Buy America Act. Please refer to <a href="http://www.acuitybrands.com/buy-american">www.acuitybrands.com/buy-american</a> for additional information.
<b>UL Listing</b>	U.L., C.UL. Damp Location Listing standard.
<b>Warranty</b>	Lifetime warranty, Luminaire LED incorporated will repair or replace any fixture damaged due to vandalism for the lifetime of the installation. 10-year warranty on LED boards against operational defects. Tested in accordance with LM-80.
<b>Note</b>	Actual performance may differ as a result of end-user environment and application. All values are design or typical values, measured under laboratory conditions at 25 °C. Specifications subject to change without notice.

## DIMENSIONAL DATA

	A	B	C
CLF7 1FT	16.11	7.35	3.16
CLF7 2FT	25.38	7.35	3.16
CLF7 3FT	35.73	7.35	3.16
CLF7 4FT	47.58	7.35	3.16



## ORDERING INFORMATION

Example: CLF7 4FT MIN1 2DRV 40W 27K 120 CLP WHT

Series*	Size (Nominal)* <sup>1</sup>	Housing	Drivers*	Dual-Driver (Optional)	Wattage (Nominal) <sup>1</sup>
CLF7 Industrial vandal resistant 7" Wide Wraparound Luminaire	1FT	(Blank)	MIN1 <sup>2</sup> Dimming to 1%	2DRV <sup>4</sup> Two LED drivers for independent LED board operations	5W 25W
	2FT	AL Aluminum Housing	MIN10 <sup>3</sup> Dimming to 10%		15W 40W
	3FT		NODIM Non-Dimming Driver		20W 50W
	4FT		PRD <sup>2</sup> Driver programmed to specific lumen output, Consult Factory		Required for all drivers except PRD driver
			PRD not available with Wattage. PRD standard 0-10V dimming to 1%		

Lumens (For PRD Only)	CCT*	Voltage*	Lens*	Finish*
300LM - 6000LM - Lumens available in 100LM increments Lumens required if PRD driver chosen	27K 2700K	120 120 Volt	CLP Clear Prismatic	BLK Black
	30K 3000K	277 277 Volt	OP Opal	WHT White
	35K 3500K	MVOLT 120-277 Volt		BRZ Bronze
	40K 4000K	347 347 Volt		GRY Gray
	50K 5000K			CUST Custom Color, Consult Factory RALTBD RAL Paint finishes RALTBD for pricing only. Replace with applicable RAL call out when ready to order. See the <a href="#">RAL BROCHURE</a> for available options

\*Required

## OPTIONS

Emergency <sup>5</sup>			
EMB310	Self contained, 90 minute emergency battery pack. 0°C (32°F) to 55°C (131°F) 1200 lumens	EMB20R <sup>7,8</sup>	Remote mounted micro inverter that will operate a 25W maximum load for 90 min. 0°C (32°F) to 45°C (113°F).
EMB310T20	Self contained, 90 minute emergency battery pack. 0°C (32°F) to 55°C (131°F). Meets CA Title 20 standards. 1200 lumens	EMB125R <sup>7</sup>	Remote inverter that will operate a maximum 125W load for 90 min. 20°C (68°F) to 30°C (86°F)
EMB722 <sup>6</sup>	Self contained, 90 minute emergency battery pack for 25W operation only. 0°C (32°F) to 60°C (140°F). 2600 lumens	EMB250R <sup>7</sup>	Remote inverter that will operate a 250W maximum load for 90 min. 20°C (68°F) to 30°C (86°F)
		EMB375R <sup>7</sup>	Remote inverter that will operate a 375W maximum load for 90 min. 20°C (68°F) to 30°C (86°F)

Back Box	Fusing	Photocell	Sensors <sup>11</sup>	Hardware
COR Corner mounted back box	GLR <sup>9</sup> Fuse and Fuse Holder	PC <sup>9,10</sup> Photoelectric Switch	OCC Microwave occupancy sensor mounted behind the lens. On/Off operation only. OCC50 <sup>4,12</sup> Microwave occupancy sensor. 50% of LED's constantly on and 50% sensed on/off. OCCBT Bluetooth connected microwave occupancy sensor mounted behind the lens. All LED board sensed to dim to 50%, 40%, 30%, 20%, or 10%, field selectable low levels. OCCFA Microwave occupancy sensor mounted behind the lens. All LED board sensed to dim to 50%, 30%, 20%, or 10%, field selectable low levels. Factory standard preset of 50% dimming level and 20 minute time out	PHSC Phillips Head instead of TORX <sup>®</sup> head

### Ordering Notes

- See Size and Wattage Chart
- Not available in 1 FT with PC, OCC, OCCBT or OCCFA
- Not available with 347
- Not available with 1FT
- Not available with 347V or 1FT
- Not available in 1FT, 2FT or in 3FT with EMB722 and OCCBT
- Not available with MVOLT
- Not available with Lumens over 2100 LM or Wattage over 25W
- Not available with MVOLT or 347
- Not available with OCCBT
- Not available with EMB20R, EMB125R, EMB250R
- Not available with 2DRV

**Accessories:** Order as separate catalog number.

TXSD TORX<sup>®</sup> Screwdriver Bit

Initial shipment includes one (1) TXSD per fixture

## SIZE & WATTAGE CHART

Size	Wattage
1FT	5W   15W
2FT	15W   25W
3FT	20W   40W
4FT	25W   50W

## SIZE & LUMEN CHART (FOR PRD)

Size	Lumen Range
1FT	300LM - 1600LM
2FT	500LM - 3200LM
3FT	700LM - 4700LM
4FT	1100LM - 6000LM

Reference lower chart for valid lumen ranges based on CCT & Lens options

## PHOTOMETRIC DATA

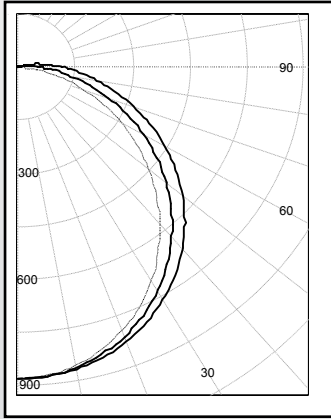
Model	Watts	Input Watts	Delivered Lumens		Delivered Lumens		Delivered Lumens		Delivered Lumens		Delivered Lumens	
			Clear	Opal	Clear	Opal	Clear	Opal	Clear	Opal	Clear	Opal
			2700K		3000K		3500K		4000K		5000K	
CLF7 1FT	5W	6.75W	722	670	730	677	745	691	769	713	792	733
CLF7 1FT	15W	13.5W	1445	1340	1461	1355	1491	1383	1538	1426	1583	1468
CLF7 2FT	15W	13.5W	1445	1340	1461	1355	1491	1383	1538	1426	1583	1468
CLF7 2FT	25W	26.6W	2879	2668	2912	2698	2971	2754	3063	2839	3155	2924
CLF7 3FT	20W	20.0W	1983	1837	2005	1858	2046	1896	2110	1955	2173	2013
CLF7 3FT	40W	42.9W	3765	3489	3842	3561	4408	4086	4545	4213	4681	4339
CLF7 4FT	25W	26.9W	2879	2668	2912	2698	2971	2754	3063	2839	3155	2924
CLF7 4FT	50W	54.0W	5519	5116	5581	5173	5695	5279	5872	5443	6048	5606
CLFx xFT	PRD		Programmable Driver. Must Specify Lumens in Ordering Information, see Chart below.									

Model	Driver Programmed	Available Lumen Range		Available Lumen Range		Available Lumen Range		Available Lumen Range		Available Lumen Range	
		Clear	Opal	Clear	Opal	Clear	Opal	Clear	Opal	Clear	Opal
		2700K		3000K		3500K		4000K		5000K	
CLF7 1FT	PRD	300LM to 1400LM	300LM to 1300LM	300LM to 1500LM	300LM to 1400LM	300LM to 1500LM	300LM to 1400LM	300LM to 1500LM	300LM to 1400LM	300LM to 1600LM	300LM to 1500LM
CLF7 2FT		500LM to 2900LM	500LM to 2700LM	500LM to 2900LM	300LM to 1400LM	500LM to 3000LM	500LM to 2800LM	500LM to 3100LM	500LM to 2800LM	500LM to 3200LM	500LM to 2900LM
CLF7 3FT		700LM to 3800LM	700LM to 3800LM	700LM to 3800LM	700LM to 3600LM	700LM to 4400LM	700LM to 4100LM	700LM to 4500LM	700LM to 4200LM	700LM to 4700LM	700LM to 4300LM
CLF7 4FT		1100LM to 5500LM	1100LM to 5100LM	1100LM to 5600LM	1100LM to 5200LM	1100LM to 5700LM	1100LM to 5300LM	1100LM to 5900LM	1100LM to 5400LM	1100LM to 6000LM	1100LM to 5600LM

## PHOTOMETRIC DATA

### MODEL CLF7 2FT 25W 40K OP

Delivered Lumens: 2,629 Lumens



### IES FILE: CLF7 2FT 25W 40K OP

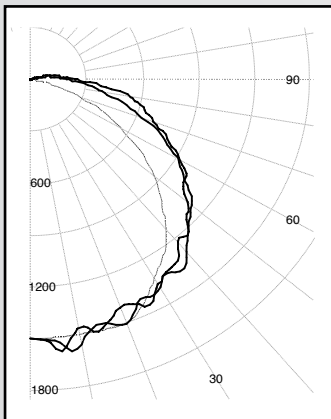
Total Power: 29.8W

Testing was performed in accordance with IES LM-79-08

Zone	Lumens	% Lamps
0 - 30	677	25.7
0 - 40	1102	41.9
0 - 60	1934	73.6
60 - 90	621	23.6
0 - 90	2555	97.2
90 -180	75	2.8
0 - 180	2629	100.0

### MODEL CLF7 4FT 50W 40K CLP

Delivered Lumens: 5,437 Lumens



### IES FILE: CLF7 4FT 50W 40K CLP

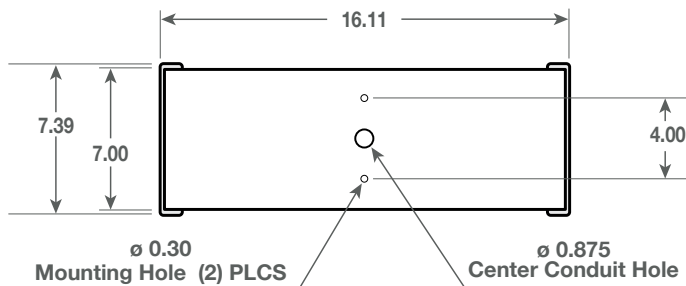
Total Power: 55.3W

Testing was performed in accordance with IES LM-79-08

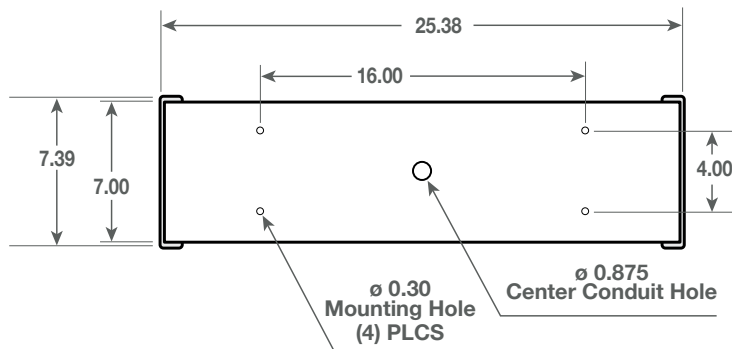
Zone	Lumens	% Lamps
0 - 30	1229	22.6
0 - 40	2056	37.8
0 - 60	3785	69.6
60 - 90	5217	26.3
0 - 90	3161	96.0
90 -180	220	4.0
0 - 180	5437	100.0

## MOUNTING PLATE DETAILS

### CLF7 1FT



### CLF7 2FT



### CLF7 4FT

