



WALL / CEILING
MOUNT LED

ANYX ARV17

Vandal Resistant

ARV17 Series LED

Fixture Type	Date
Job Name	Approved By
Catalog Number	

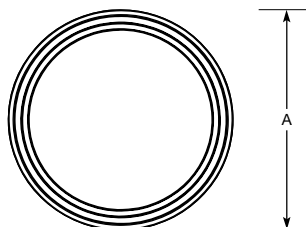
SPECIFICATIONS



Description	The Anyx ARV17 series features a durable, color-impregnated polycarbonate housing supported by a marine grade, die cast aluminum base plate to provide a lighting fixture that will survive in the harshest environments. The fixture has been installed successfully in large scale projects such as dorm rooms, unsecured hallways, transportation stations and public schools.
Trim	One piece injection molded UV stabilized polycarbonate mechanically interlocked to base plate and sealed against moisture and contaminants with two high temperature silicone O-rings. Color is molded through entire part for scratch resistant finish. Locked in place with one concealed tamper resistant set screw.
Lens	One piece injection molded prismatic polycarbonate with minimum 0.130" wall thickness. Available in Clear or Opal and secured to base plate by trim and silicone O-rings.
Reflector	Heavy gauge formed aluminum primed and finished with electrostatically applied power coat.
Base Plate	Pressure die cast marine grade aluminum. Chemically primed and finished with electrostatically applied polyester powder coat.
Gaskets	Closed cell die cut neoprene gasket provided between fixture mounting plate and mounting surface. High temperature silicone O-ring between the trim and lens, between the lens and base plate, and between the mounting plate and base plate.
Drivers	Dimming to 1%, 10% or Programable Lumen Output driver options. Non-Dimming Driver is also available.
LED	2700K, 3000K, 3500K, 4000K, or 5000K and 82 CRI. L ₇₀ projected life of over 130,000 hours at 50°C.
UL Listing	U.L., C.U.L. Wet Location Listing and IP66 standard in compliance with IEC 60598, certain exclusions may apply. Please refer to Ordering Information for details.
Government Procurement	BAA – Buy America(n) Act: Product qualifies as a domestic end product under the Buy American Act as implemented in the FAR and DFARS. Product also qualifies as manufactured in the United States under DOT Buy America regulations. BABA – Build America Buy America: Product qualifies as produced in the United States under the definitions of the Build America, Buy America Act. Please refer to www.acuitybrands.com/buy-american for additional information.
Warranty	Lifetime warranty, Luminaire LED incorporated will repair or replace any fixture damaged due to vandalism for the lifetime of the installation. 10-year warranty on LED boards against operational defects. Tested in accordance with LM-80. This is the only warranty provided and no other statements in this specification sheet create any warranty of any kind. All other express and implied warranties are disclaimed.
Note	Actual performance may differ as a result of end-user environment and application. All values are design or typical values, measured under laboratory conditions at 25 °C. Specifications subject to change without notice.

DIMENSIONAL DATA

	A	B
ARV17 no Trim	17.00	5.05
ARV17 with Trim	17.00	5.05



ORDERING INFORMATION

Example: ARV17 MIN10 40W 27K 120 CLP WHT

Series*	Trim (Optional)	Drivers*	Wattage (Nominal)	Lumens (For PRD Only)	CCT*
ARV17 Vandal Resistant Wallpack 17" Round Luminaire	BRV Single Bar Trim	MIN1 Dimming to 1%	25W	900LM - 5600LM - Lumens available in 100LM increments <i>Lumens required if PRD driver chosen</i>	27K 2700K
	XRV Cross Trim	MIN10 ¹ Dimming to 10%	40W		30K 3000K
	YRV Eyelid Trim	NODIM Non-Dimming Driver	50W ¹		35K 3500K
		PRD Driver Programmed to Specific Lumen Output, Consult Factory	<i>Required for all drivers except PRD driver</i>		40K 4000K
		<i>PRD not available with Wattage PRD standard 0-10V dimming to 1%</i>			50K 5000K

Voltage*	Lens*	Finish*
120 120 Volt	CLP Clear Prismatic	BLK Black
277 277 Volt	OP Opal	WHT White
MVOLT 120-277 Volt		BRZ Bronze
347 347 Volt		GRY Gray

*Required

OPTIONS

Emergency ¹		
EMB310	Self contained, 90 minute emergency battery pack. 0°C (32°F) to 55°C (131°F). 800 lumens	EMB125R ^{2,7} Remote inverter that will operate a maximum 125W load for 90 minutes. 20°C (68°F) to 30°C (86°F)
EMB310T20	Self contained, 90 minute emergency battery pack. 0°C (32°F) to 55°C (131°F). Meets CA Title 20 standards. 800 lumens	EMB250R ^{2,7} Remote inverter that will operate a 250W maximum load for 90 minutes. 20°C (68°F) to 30°C (86°F)
		EMB375R ^{2,7} Remote inverter that will operate a 375W maximum load for 90 minutes. 20°C (68°F) to 30°C (86°F)

Back Box	Fusing	Photocell	Sensors ⁹
CAB ^{3,8} Pressure die cast marine grade aluminum back box. <i>See mounting plate details for back box dimensions</i>	GLR ⁵ Fuse and Fuse Holder	PC ^{4,5} Photoelectric Switch <i>IP66 excluded, Wet Listed Standard</i>	OCC ⁶ Microwave occupancy sensor mounted behind the lens. On/Off operation only. OCCFA ⁶ Microwave occupancy sensor mounted behind the lens. All LED board sensed to dim to 50%, 30%, 20%, or 10%, field selectable low levels. Factory standard preset of 50% dimming level and 20 minute time out

Nightlight (Consult Factory)	Safety
AMBNLR Ring of Avago PLCC-4 Amber Series measured at 593nm, wired in parallel-series. Requires separately controlled circuit REDNLR Ring of Avago PLCC-4 RED Series measured at 621nm, wired in parallel-series. Requires separately controlled circuit	ALMR ^{8,9} Accessory metal ring that completely seals gap between mounting base and mounting surface. Ligature-resistant for ceiling mount applications only

Ordering Notes

- Not available with 347V.
- Not available with MVOLT.
- For Knockouts, order CAB.
- PC Requires CAB.
- Not available with MVOLT or 347.
- OCC and OCCFA not available with Nightlight options AMBNLR or REDNLR.
- Not available with Sensor options OCC or OCCFA.
- ALMR not Available CAB.
- Not available with YRV Trim.

Accessories: Order as separate catalog number	
TXSD	TORX® Screwdriver Bit
<i>Initial shipment includes one (1) TXSD per fixture.</i>	

TRIM OPTIONS



PHOTOMETRIC DATA

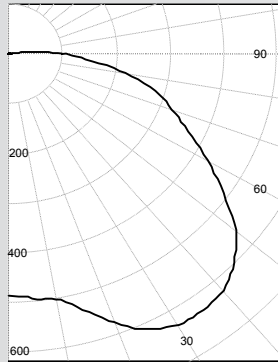
Model	Watts	Input Watts	Lens	Delivered Lumens				
				2700K	3000K	3500K	4000K	5000K
ARV17	25W	25.7W	OP	2156	2180	2225	2294	2362
ARV17	25W	25.7W	CP	2736	2766	2823	2911	2998
ARV17	40W	42.9W	OP	2873	2906	2965	3057	3146
ARV17	40W	42.9W	CP	3647	3688	3763	3880	3996
ARV17	50W	55.5W	OP	4031	4076	4160	4289	4417
ARV17	50W	55.5W	CP	5116	5173	5279	5443	5606
ARV17	PRD			Programmable Driver. Specify Delivered Lumens in Ordering Information.				

MODEL ARV17 25W 40K CLP

Delivered Lumens: 2,696 Lumens

Total Power: 25.7W

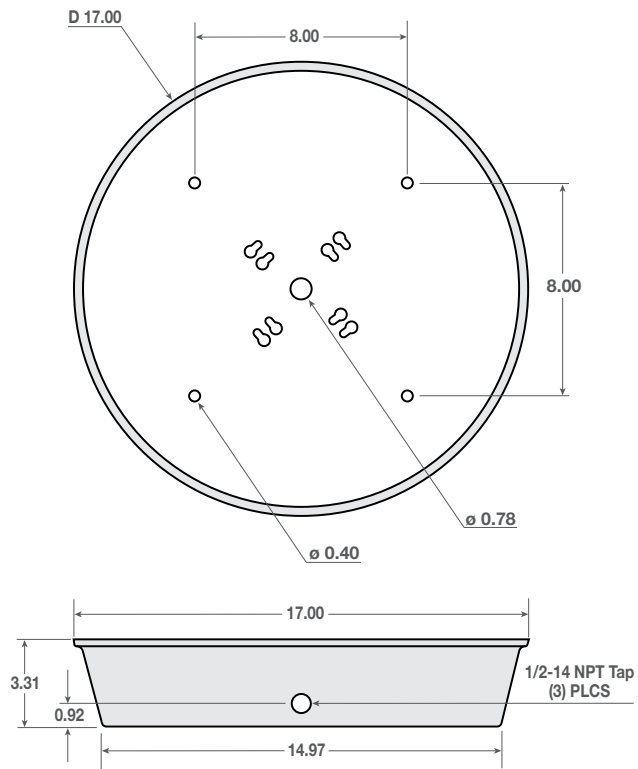
Testing was performed in accordance with IES LM-79-08



Zone	Lumens	% Lamps
0 - 30	482	17.9
0 - 40	877	32.5
0 - 60	1772	65.7
60 - 90	835	31.0
0 - 90	2607	96.7
90 - 180	89	3.3
0 - 180	2696	100.0

MOUNTING PLATE DETAILS

ARV17 Back Box with Knockout



MOUNTING PLATE DETAILS

Base Plate

