





IMPORTANT SAFETY INSTRUCTIONS

READ AND FOLLOW ALL SAFETY INSTRUCTIONS!
SAVE THESE INSTRUCTIONS AND DELIVER TO OWNER AFTER INSTALLATION

- To reduce the risk of death, personal injury or property damage from fire, electric shock, falling parts, cuts/abrasions, and other hazards please read all warnings and instructions included with and on the fixture box and all fixture labels.
- Before installing, servicing, or performing routine maintenance upon this equipment, follow these general precautions.
- Installation and service of luminaires should be performed by a **qualified licensed electrician**.
- Maintenance of the luminaires should be performed by person(s) familiar with the luminaires' construction and operation and any hazards involved. Regular fixture maintenance programs are recommended.
- It will occasionally be necessary to clean the outside of the refractor/lens. Frequency of cleaning will depend on ambient dirt level and minimum light output which is acceptable to user. Refractor/lens should be washed in a solution of warm water and any mild, non-abrasive household detergent, rinsed with clean water and wiped dry. Should optical assembly become dirty on the inside, wipe refractor/lens and clean in above manner, replacing damaged gaskets as necessary.
- DO NOT INSTALL DAMAGED PRODUCT!** This luminaire has been properly packed so that no parts should have been damaged during transit. Inspect to confirm. Any part damaged or broken during or after assembly should be replaced.
- If the lamp is marked (Hg) it contains Mercury. Follow all disposal laws. See www.lamprecycle.org.
- These instructions do not purport to cover all details or variations in equipment nor to provide every possible contingency to meet in connection with installation, operation, or maintenance. Should further information be desired or should particular problems arise which are not covered sufficiently for the purchaser's or owner's purposes, this matter should be referred to Acuity Brands Lighting, Inc.

<div style="text-align: center; border: 1px solid black; padding: 5px; margin-bottom: 5px;">  WARNING RISK OF ELECTRIC SHOCK </div> <ul style="list-style-type: none"> ✓ Disconnect or turn off power before installation or servicing. ✓ Verify that supply voltage is correct by comparing it with the luminaire label information. ✓ Make all electrical and grounded connections in accordance with the National Electrical Code (NEC) and any applicable local code requirements. ✓ All wiring connections should be capped with UL approved recognized wire connectors. 	<div style="text-align: center; border: 1px solid black; padding: 5px; margin-bottom: 5px;">  WARNING RISK OF BURN </div> <ul style="list-style-type: none"> ✓ Allow lamp/fixture to cool before handling. Do not touch hot lens, lamp, guard, or enclosure. ✓ Do not exceed maximum wattage marked on luminaire label. ✓ Follow all lamp manufacturer's warnings, recommendations and restrictions on lamp operation including but not limited to: ballast type, burning position, replacement, and recycling. ✓ Use only lamps that comply with ANSI standards.
<div style="text-align: center; border: 1px solid black; padding: 5px; margin-bottom: 5px;">  CAUTION RISK OF INJURY </div> <ul style="list-style-type: none"> ✓ Wear gloves and safety glasses at all times when removing luminaire from carton, installing, servicing or performing maintenance. ✓ Avoid direct eye exposure to the light source while it is on. 	<div style="text-align: center; border: 1px solid black; padding: 5px; margin-bottom: 5px;">  CAUTION RISK OF FIRE </div> <ul style="list-style-type: none"> ✓ Keep combustible and other materials that can burn away from lamp/lens. ✓ Do not operate in close proximity to persons, combustible materials or substances affected by heat or drying.

Please see product specific installation instructions for additional warnings or any applicable FCC or other regulatory statements.


Failure to follow any of these instructions could void product warranties.

For a complete listing of product Terms and Conditions, please visit www.acuitybrands.com.

Our Brands	Indoor/Outdoor Lithonia Lighting Carandini Holophane RELOC Light Concepts	Indoor Lighting Gotham Mark Architectural Lighting Peerless Renaissance Lighting Winona Lighting	Outdoor Lighting American Electric Lighting Antique Street Lamps Hydrel Tersen	Controls DARK TO LIGHT LC&D ROAM Sensor Switch Synergy	Daylighting SunOptics
-------------------	--	---	--	---	--------------------------

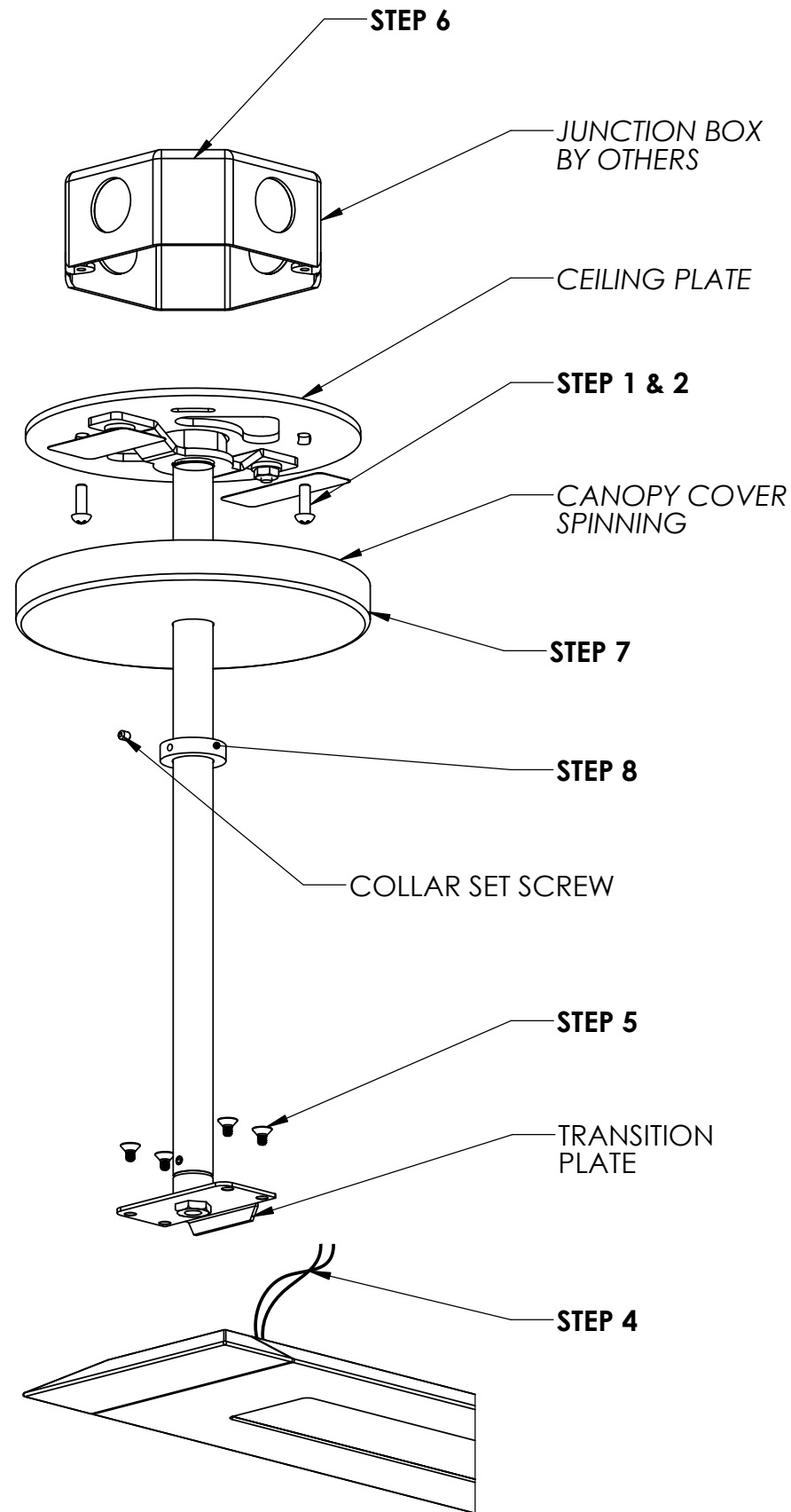
Acuity Brands Lighting, Inc. assumes no responsibility for claims arising out of improper or careless installation or handling of its products.

© 2010 Acuity Brands Lighting, Inc. All rights reserved. 12/01/10 ABL General Warnings, Form No. 503.204

 3760 West Fourth Street PO Box 1205 Winona, MN 55987 PH: (800) 328-5291 FAX: (507) 452-8528 www.winonalighting.com	DESCRIPTION: F3 INSTALLATION INSTRUCTIONS		PROJECT:		
	PART #: 2402861		SOLD TO:		FINISH:
	DEPT:		ORDER #:		QTY:
	MATERIAL:		CLASS:		REV:
	METHOD:		AUTHOR:		DATE:
TOLERANCE UNLESS OTHERWISE SPECIFIED $.X \pm$ $.XX \pm$ $.XXX \pm$ ANGLES \pm			<small>ALL DIMENSIONS ARE IN INCHES UNLESS SPECIFIED OTHERWISE</small>		SHEET # 1 OF 12

INSTALLATION INSTRUCTIONS

F3 MOUNTING

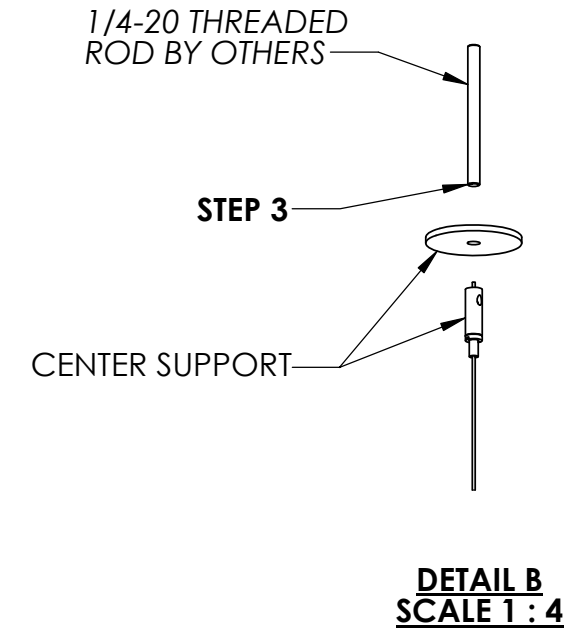


DETAIL A
SCALE 3 : 8

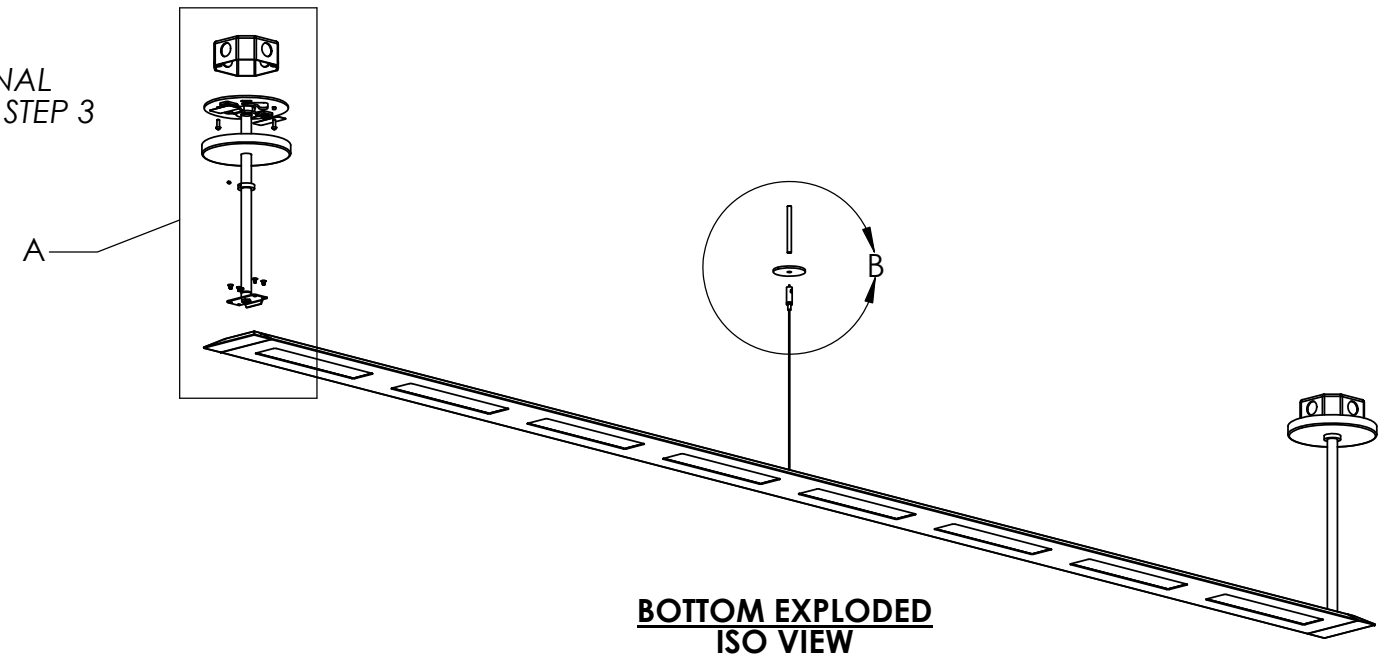
INSTALLATION STEPS:

1. MOUNT CEILING PLATE TO JUNCTION BOX USING 2X SCREWS (SUPPLIED BY OTHERS).
2. REPEAT STEP 1 FOR SECOND CEILING PLATE.
3. MOUNT CENTER SUPPORT TO 1/4-20 THREADED ROD (BY CONTRACTOR) PROTRUDING 3/8" FROM CEILING.
4. MAKE WIRE CONNECTIONS AT FIXTURE AND FEED WIRES UP THROUGH STEM TO CEILING PLATE.
5. USE 5/64" HEX DRIVER TO MOUNT FIXTURE TO STEM TRANSITION PLATE USING 4X SCREWS PROVIDED.
6. MAKE WIRE CONNECTIONS TO REMOTE DRIVER BOXES.
7. RAISE CANOPY COVER SPINNING'S.
8. USE 5/64" HEX DRIVER TO SECURE COVER SPINNING'S IN PLACE WITH COLLAR & SET SCREW.

PLEASE NOTE: IF FIXTURE IS 4FT OR LESS NOMINAL LENGTH, THERE IS NO CENTER SUPPORT. SKIP STEP 3




DETAIL B
SCALE 1 : 4

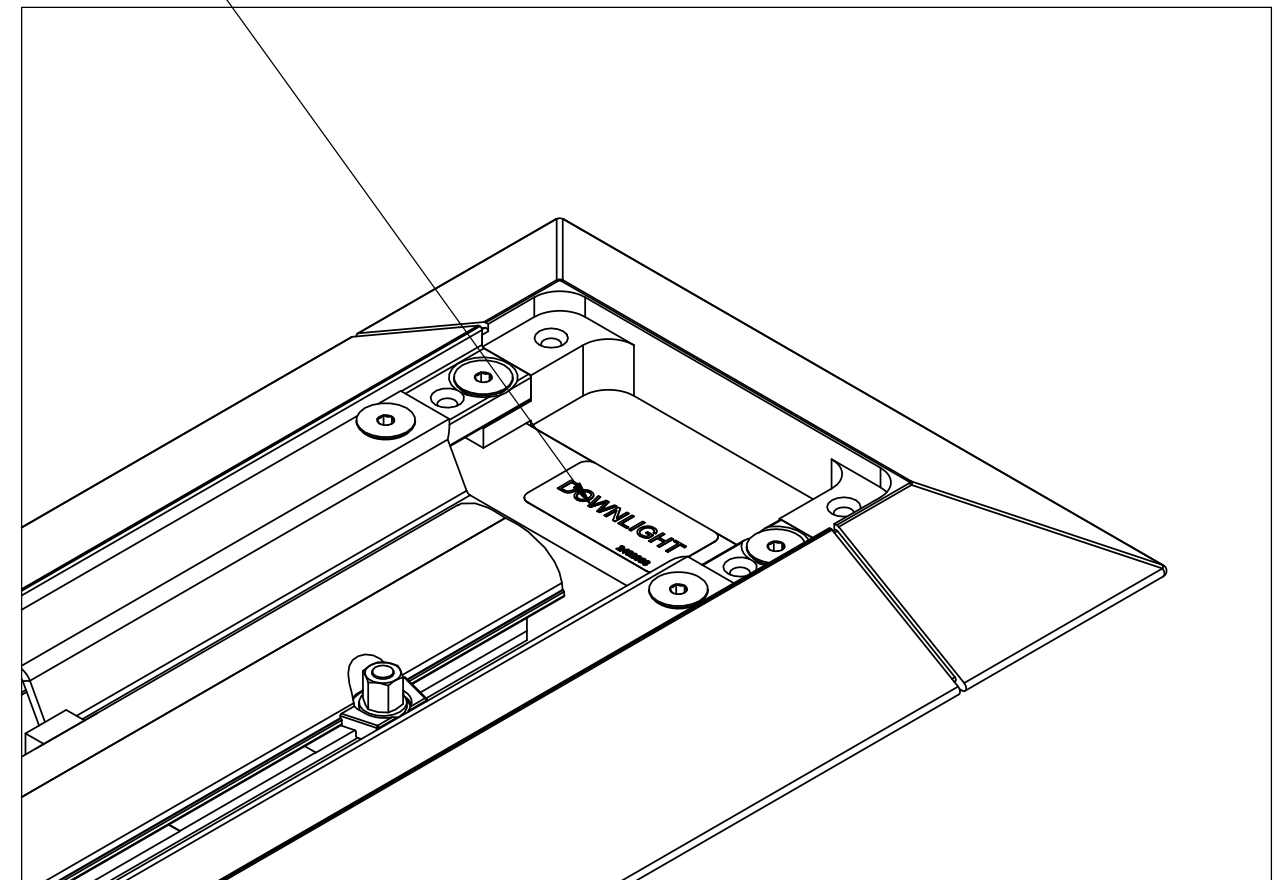
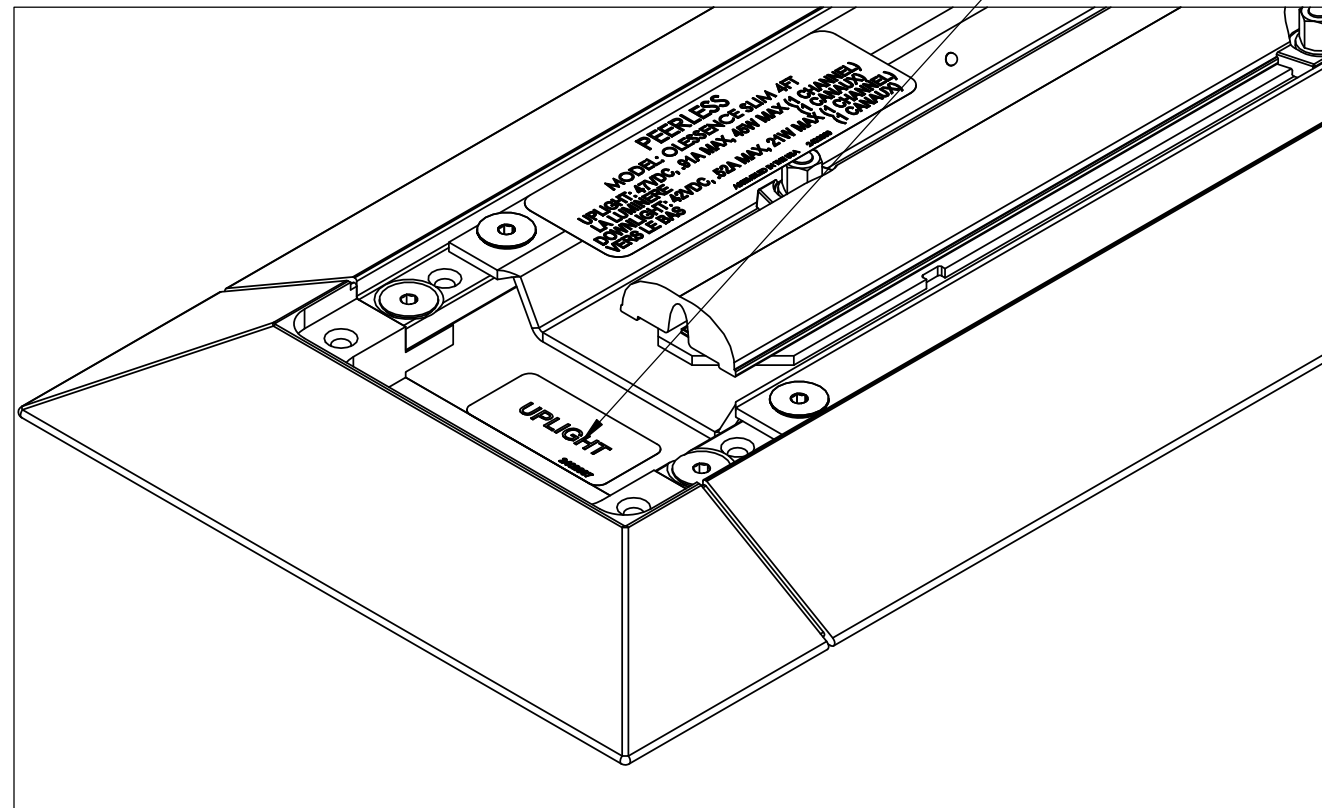



BOTTOM EXPLODED
ISO VIEW

TOOLS REQUIRED:
1) 5/64" HEX DRIVER
2) PHILIP'S #2 DRIVER

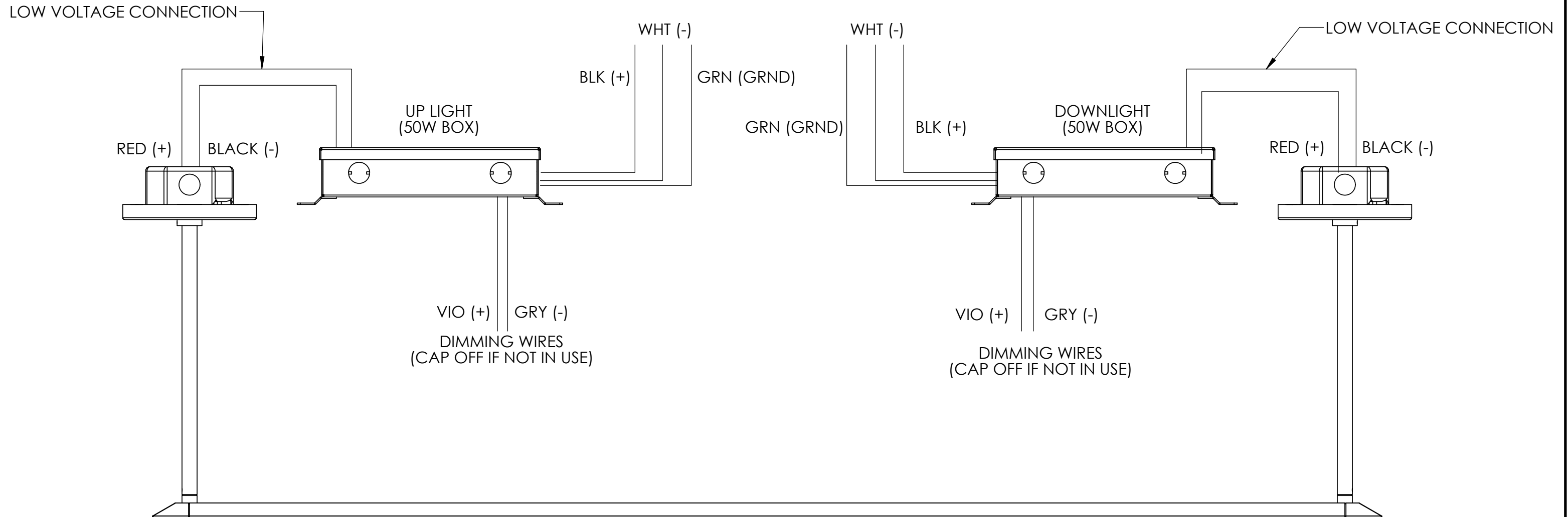
 3760 West Fourth Street PO Box 1205 Winona, MN 55987 PH: (800) 328-5291 FAX: (507) 452-8528 www.winonalighting.com	DESCRIPTION: F3 INSTALLATION INSTRUCTIONS		PROJECT:	
	PART #: 2402861		SOLD TO:	
	DEPT:	ORDER #:	QTY:	FINISH:
	MATERIAL:	CLASS:	REV:	SCALE: 1:12
METHOD:	AUTHOR:	DATE:		
TOLERANCE UNLESS OTHERWISE SPECIFIED .X ± .XX ± .XXX ±		ANGLES ±		ALL DIMENSIONS ARE IN INCHES UNLESS SPECIFIED OTHERWISE
			SHEET #	2 OF 12

LABELS PLACED IN CAVITY'S
TO INDICATE UP LIGHT &
DOWNLIGHT.




 3760 West Fourth Street PO Box 1205 Winona, MN 55987 PH: (800) 328-5291 FAX: (507) 452-8528 www.winonalighting.com	DESCRIPTION: F3 INSTALLATION INSTRUCTIONS		PROJECT:	
	PART #: 2402861		SOLD TO:	
	DEPT:	ORDER #:	QTY:	FINISH:
	MATERIAL:	CLASS:	REV:	SCALE: 1:1
METHOD:	AUTHOR:	DATE:		
TOLERANCE UNLESS OTHERWISE SPECIFIED .X ± .XX ± .XXX ±			ANGLES ±	ALL DIMENSIONS ARE IN INCHES UNLESS SPECIFIED OTHERWISE
				SHEET # 3 OF 12

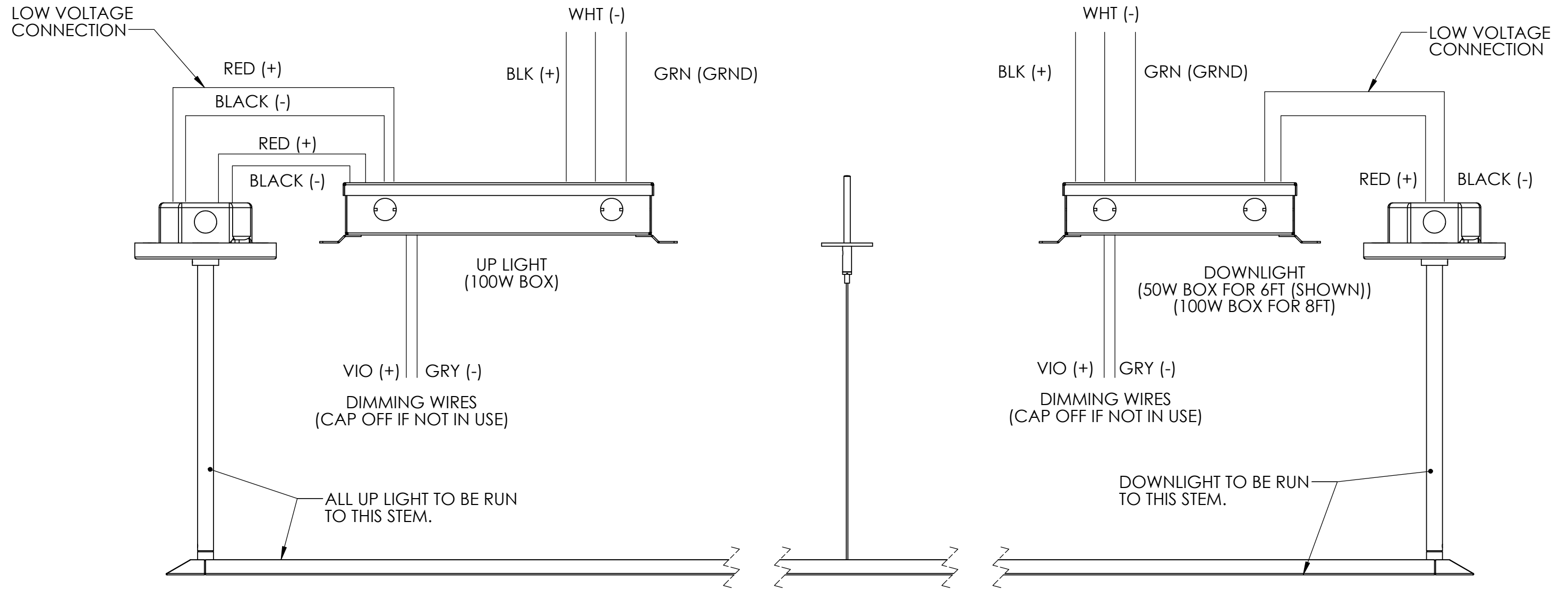
WHEN WIRING FIXTURE TO REMOTE BOXES, MAKE SURE NOT TO WIRE UP LIGHT BOX WITH DOWNLIGHT ON FIXTURE. IF THIS HAPPENS & THE FIXTURE IS POWERED ON IT WILL SHORT OUT THE OLED PANELS & THEY WILL NEED TO BE REPLACED.




4FT INDIVIDUAL FIXTURE

 3760 West Fourth Street PO Box 1205 Winona, MN 55987 PH: (800) 328-5291 FAX: (507) 452-8528 www.winonalighting.com	DESCRIPTION: F3 INSTALLATION INSTRUCTIONS		PROJECT:	
	PART #: 2402861		SOLD TO:	
	DEPT:	ORDER #:	QTY:	FINISH:
	MATERIAL:	CLASS:	REV:	SCALE: 1:4
	METHOD:	AUTHOR:	DATE:	
TOLERANCE UNLESS OTHERWISE SPECIFIED .X ± .XX ± .XXX ±		ANGLES ±		ALL DIMENSIONS ARE IN INCHES UNLESS SPECIFIED OTHERWISE SHEET # 4 OF 12

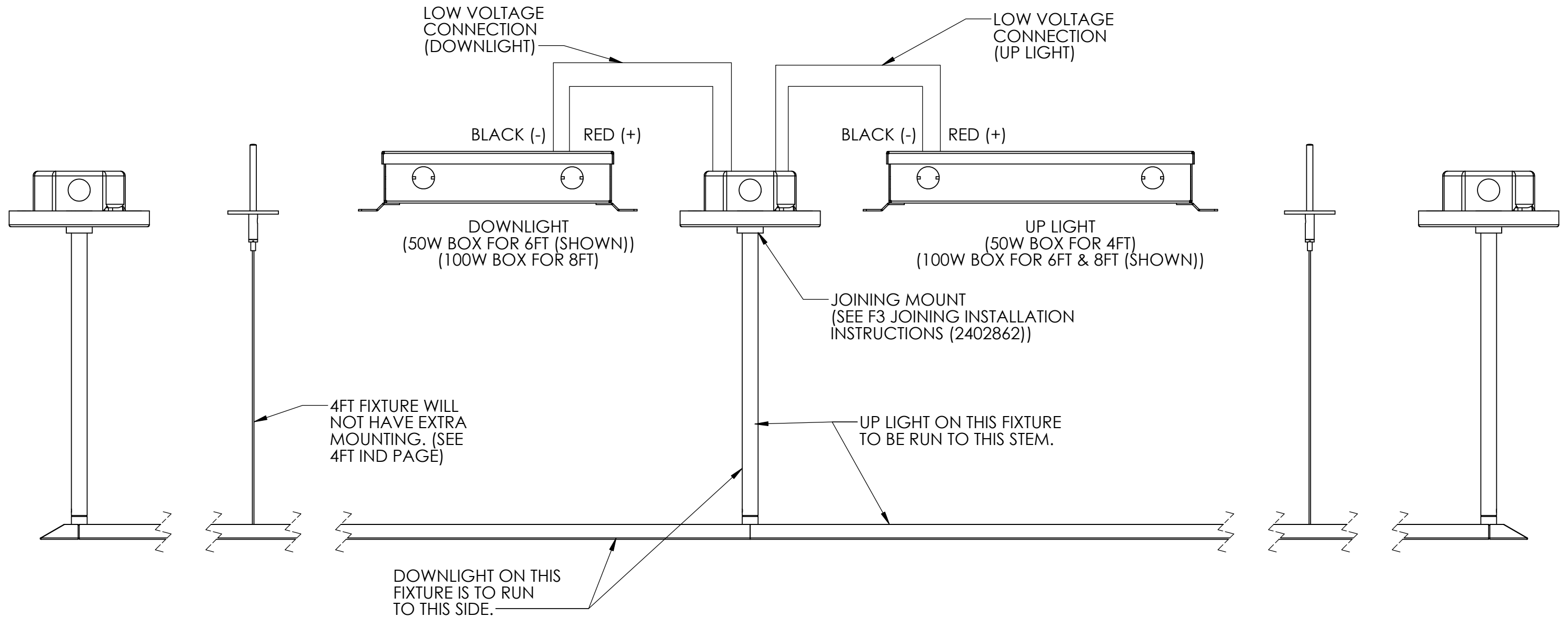
WHEN WIRING FIXTURE TO REMOTE BOXES, MAKE SURE NOT TO WIRE UP LIGHT BOX WITH DOWNLIGHT ON FIXTURE. IF THIS HAPPENS & THE FIXTURE IS POWERED ON IT WILL SHORT OUT THE OLED PANELS & THEY WILL NEED TO BE REPLACED.




6FT OR 8FT INDIVIDUAL FIXTURE

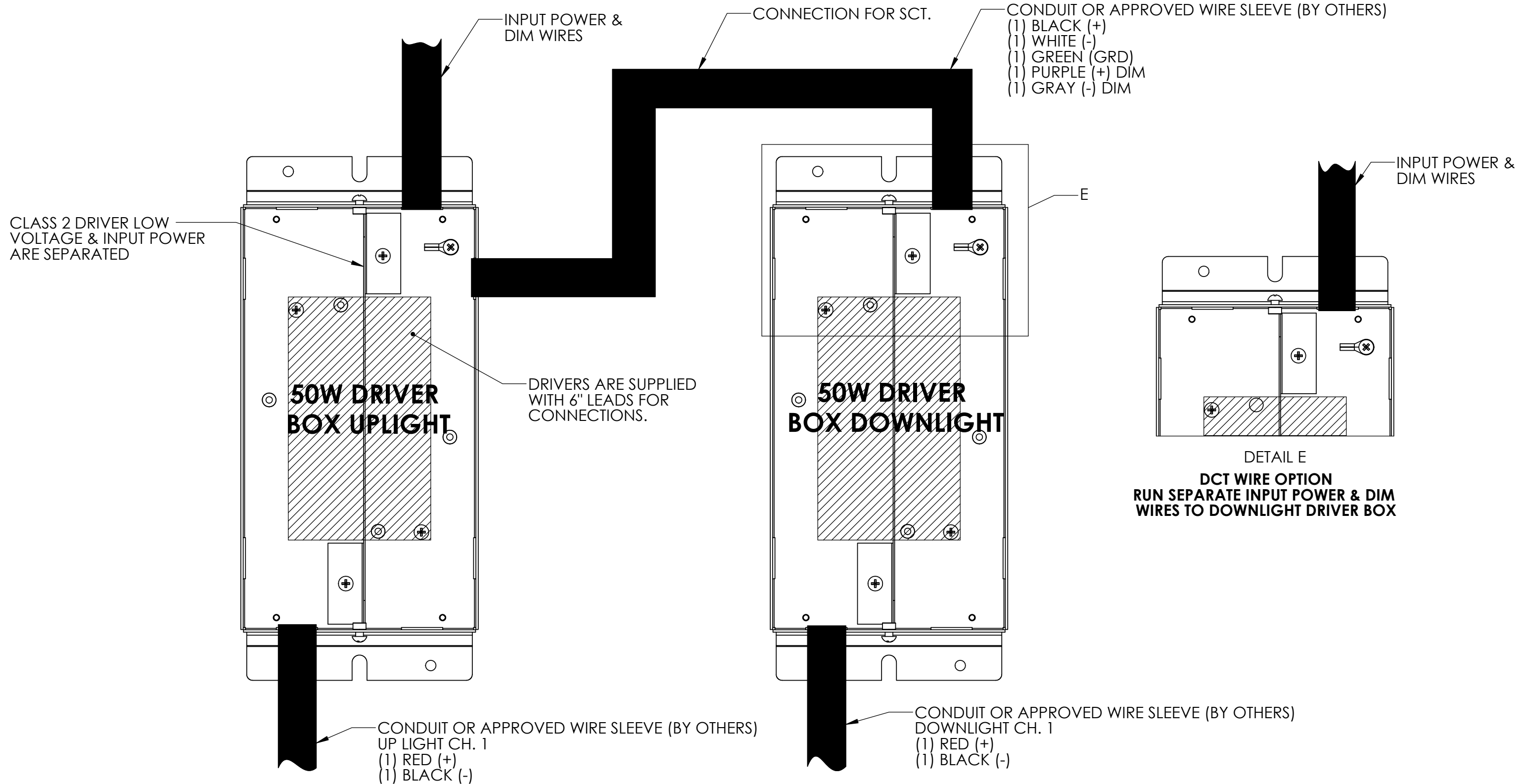
 3760 West Fourth Street PO Box 1205 Winona, MN 55987 PH: (800) 328-5291 FAX: (507) 452-8528 www.winonalighting.com	DESCRIPTION: F3 INSTALLATION INSTRUCTIONS		PROJECT:		
	PART #: 2402861		SOLD TO:		
	DEPT:		ORDER #:	QTY:	FINISH:
	MATERIAL:		CLASS:	REV:	SCALE: 1:4
	METHOD:		AUTHOR:	DATE:	
TOLERANCE UNLESS OTHERWISE SPECIFIED .X ± .XX ± .XXX ±			ANGLES ±	ALL DIMENSIONS ARE IN INCHES UNLESS SPECIFIED OTHERWISE	
				SHEET # 5 OF 12	

WHEN WIRING FIXTURE TO REMOTE BOXES, MAKE SURE NOT TO WIRE UP LIGHT BOX WITH DOWNLIGHT ON FIXTURE. IF THIS HAPPENS & THE FIXTURE IS POWERED ON IT WILL SHORT OUT THE OLED PANELS & THEY WILL NEED TO BE REPLACED.



SEE NEXT FEW PAGES FOR A FIXTURE REPRESENTATION LAYOUT FOR JOINING

 3760 West Fourth Street PO Box 1205 Winona, MN 55987 PH: (800) 328-5291 FAX: (507) 452-8528 www.winonalighting.com	DESCRIPTION: F3 INSTALLATION INSTRUCTIONS		PROJECT:	
	PART #: 2402861		SOLD TO:	
	DEPT:	ORDER #:	QTY:	FINISH:
	MATERIAL:	CLASS:	REV:	SCALE: 1:4
	METHOD:	AUTHOR:	DATE:	
TOLERANCE UNLESS OTHERWISE SPECIFIED .X ± .XX ± .XXX ±		ANGLES ±		ALL DIMENSIONS ARE IN INCHES UNLESS SPECIFIED OTHERWISE SHEET # 6 OF 12

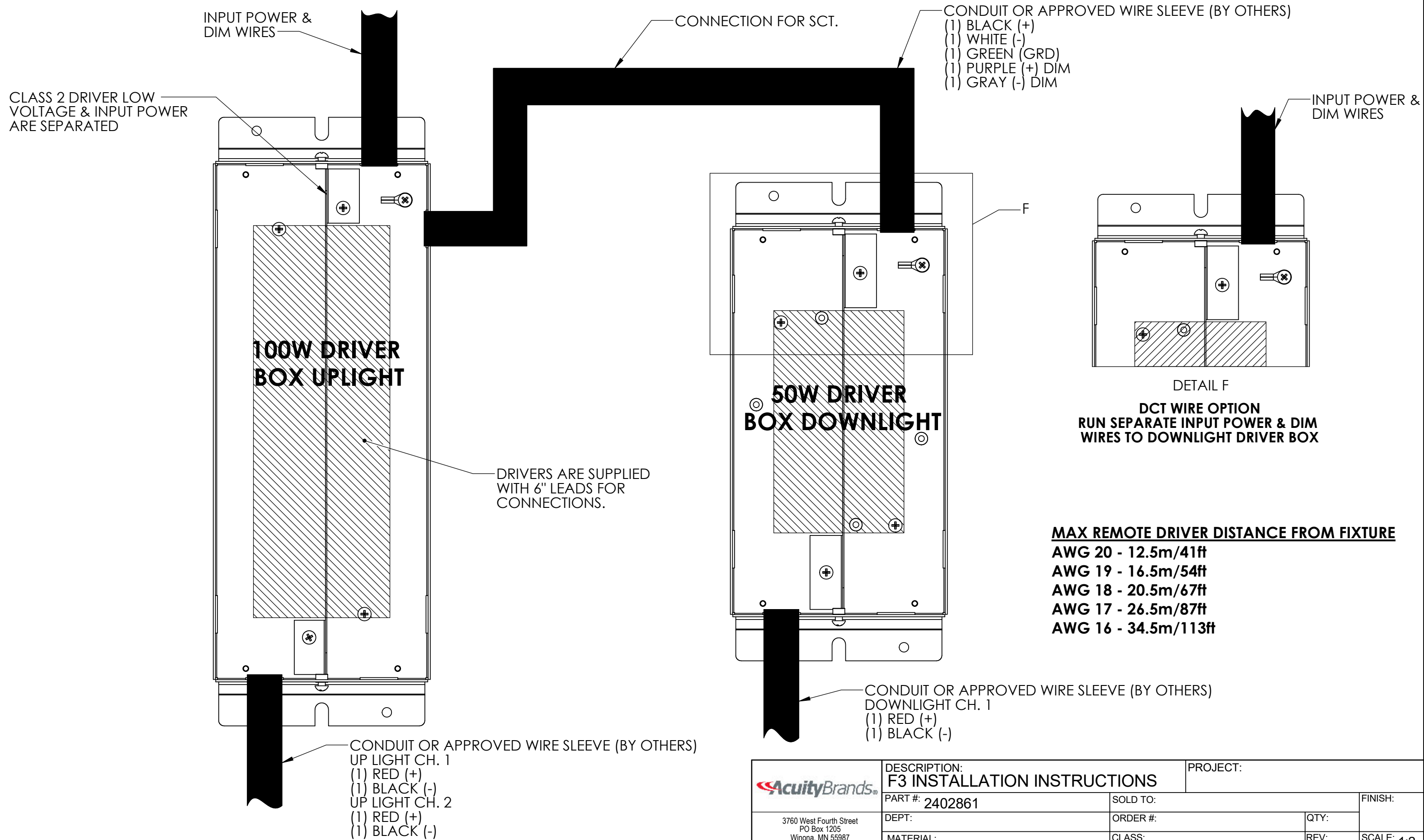


MAX REMOTE DRIVER DISTANCE FROM FIXTURE

- AWG 20 - 12.5m/41ft
- AWG 19 - 16.5m/54ft
- AWG 18 - 20.5m/67ft
- AWG 17 - 26.5m/87ft
- AWG 16 - 34.5m/113ft

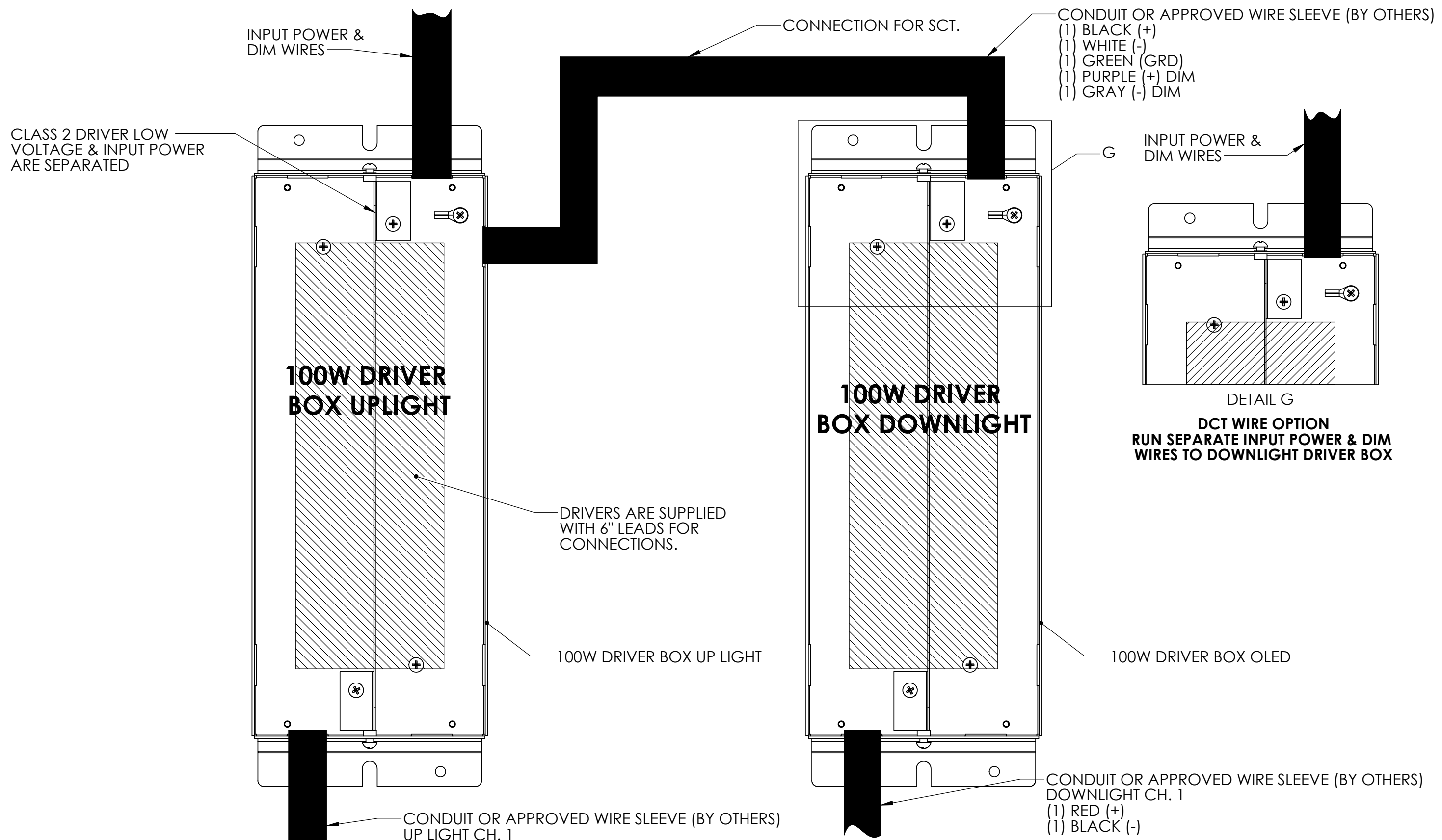
4FT SCT OR DCT WIRE ROUTING

<p>3760 West Fourth Street PO Box 1205 Winona, MN 55987 PH: (800) 328-5291 FAX: (507) 452-8528 www.winonalighting.com</p>	DESCRIPTION: F3 INSTALLATION INSTRUCTIONS		PROJECT:	
	PART #: 2402861		SOLD TO:	
	DEPT:	ORDER #:	QTY:	FINISH:
	MATERIAL:	CLASS:	REV:	SCALE: 1:2
METHOD:	AUTHOR:	DATE:		
TOLERANCE UNLESS OTHERWISE SPECIFIED .X ± .XX ± .XXX ±		ANGLES ±		ALL DIMENSIONS ARE IN INCHES UNLESS SPECIFIED OTHERWISE
			SHEET #	7 OF 12

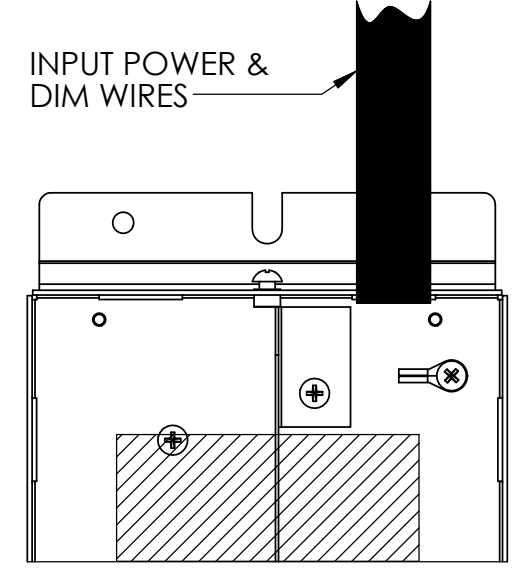


6FT SCT OR DCT WIRE ROUTING

	DESCRIPTION: F3 INSTALLATION INSTRUCTIONS		PROJECT:		
	PART #: 2402861		SOLD TO:		
3760 West Fourth Street PO Box 1205 Winona, MN 55987 PH: (800) 328-5291 FAX: (507) 452-8528 www.winonalighting.com	DEPT:	ORDER #:	QTY:	FINISH:	
	MATERIAL:	CLASS:	REV:		SCALE: 1:2
	METHOD:	AUTHOR:	DATE:		
TOLERANCE UNLESS OTHERWISE SPECIFIED .X ±		.XX ±	.XXX ±	ANGLES ±	ALL DIMENSIONS ARE IN INCHES UNLESS SPECIFIED OTHERWISE
				SHEET #	8 OF 12



CONDUIT OR APPROVED WIRE SLEEVE (BY OTHERS)
 (1) BLACK (+)
 (1) WHITE (-)
 (1) GREEN (GRD)
 (1) PURPLE (+) DIM
 (1) GRAY (-) DIM

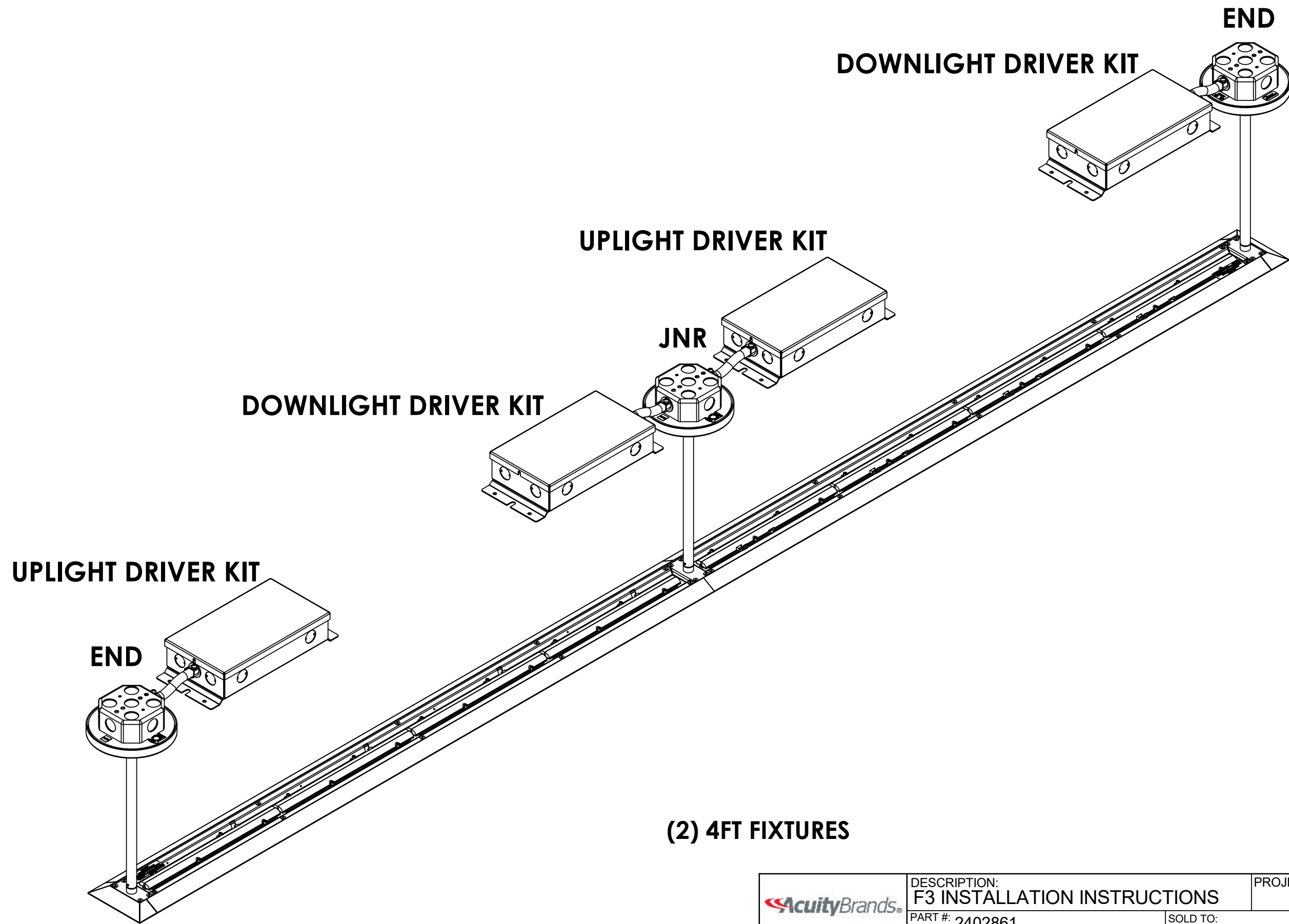


DETAIL G
DCT WIRE OPTION
RUN SEPARATE INPUT POWER & DIM
WIRES TO DOWNLIGHT DRIVER BOX


MAX REMOTE DRIVER DISTANCE FROM FIXTURE
 AWG 20 - 12.5m/41ft
 AWG 19 - 16.5m/54ft
 AWG 18 - 20.5m/67ft
 AWG 17 - 26.5m/87ft
 AWG 16 - 34.5m/113ft

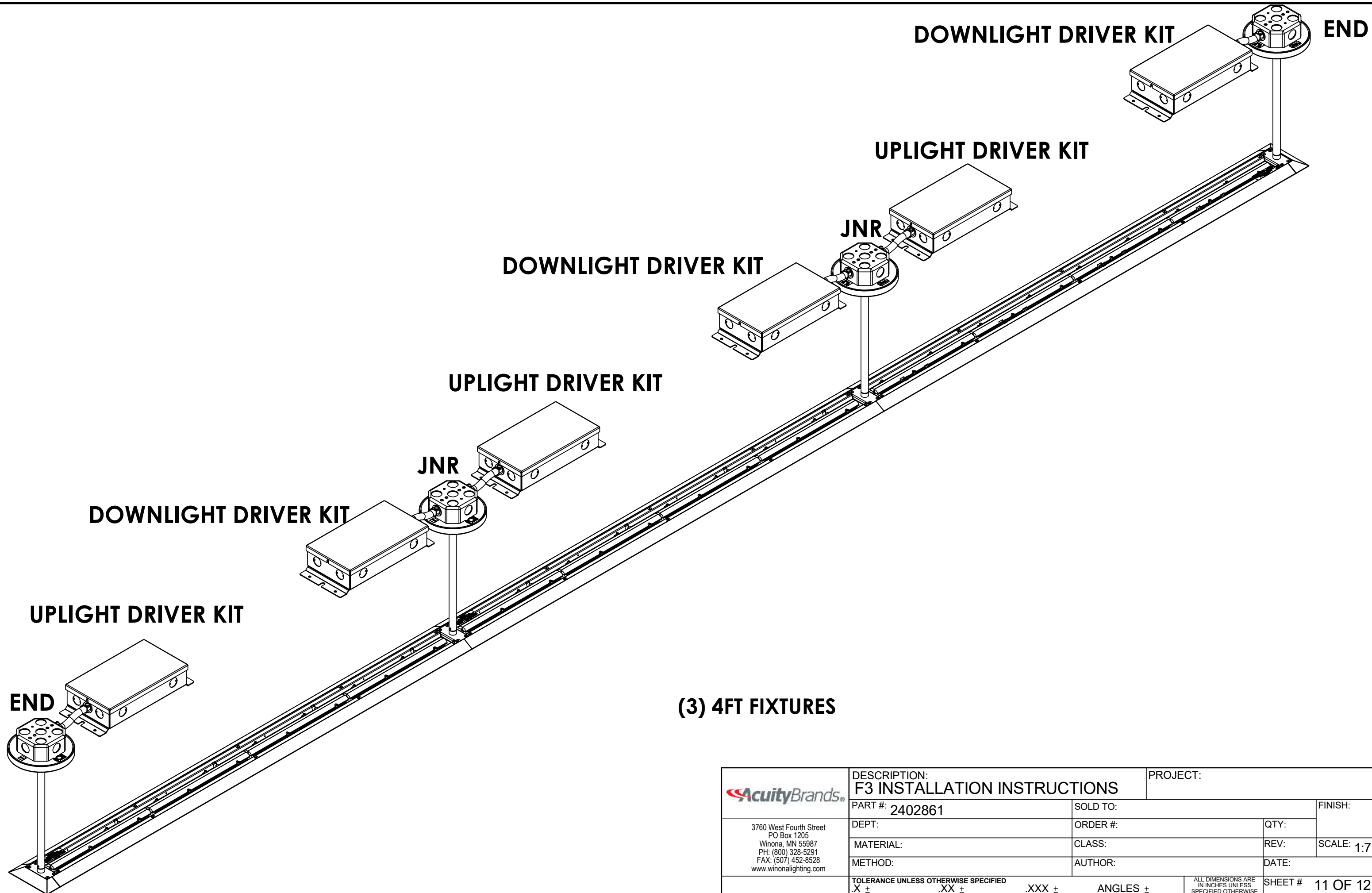
8FT SCT OR DCT WIRE ROUTING

<p>3760 West Fourth Street PO Box 1205 Winona, MN 55987 PH: (800) 328-5291 FAX: (507) 452-8528 www.winonalighting.com</p>	DESCRIPTION: F3 INSTALLATION INSTRUCTIONS		PROJECT:	
	PART #: 2402861		SOLD TO:	
	DEPT:	ORDER #:	QTY:	FINISH:
	MATERIAL:	CLASS:	REV:	SCALE: 1:2
	METHOD:	AUTHOR:	DATE:	
TOLERANCE UNLESS OTHERWISE SPECIFIED		ALL DIMENSIONS ARE IN INCHES UNLESS SPECIFIED OTHERWISE		SHEET # 9 OF 12
.X ±		.XX ±		
		.XXX ±		
		ANGLES ±		



(2) 4FT FIXTURES

 3760 West Fourth Street PO Box 1205 Winona, MN 55987 PH: (800) 328-5291 FAX: (507) 452-8528 www.winonalighting.com	DESCRIPTION: F3 INSTALLATION INSTRUCTIONS		PROJECT:	
	PART #: 2402861		SOLD TO:	
	DEPT:	ORDER #:	QTY:	FINISH:
	MATERIAL:	CLASS:	REV:	SCALE: 1:6
METHOD:	AUTHOR:	DATE:		
TOLERANCE UNLESS OTHERWISE SPECIFIED X ± .XX ± .XXX ±		ANGLES ±		ALL DIMENSIONS ARE IN INCHES UNLESS SPECIFIED OTHERWISE SHEET # 10 OF 12



DOWNLIGHT DRIVER KIT

END

UPLIGHT DRIVER KIT

DOWNLIGHT DRIVER KIT

JNR


UPLIGHT DRIVER KIT

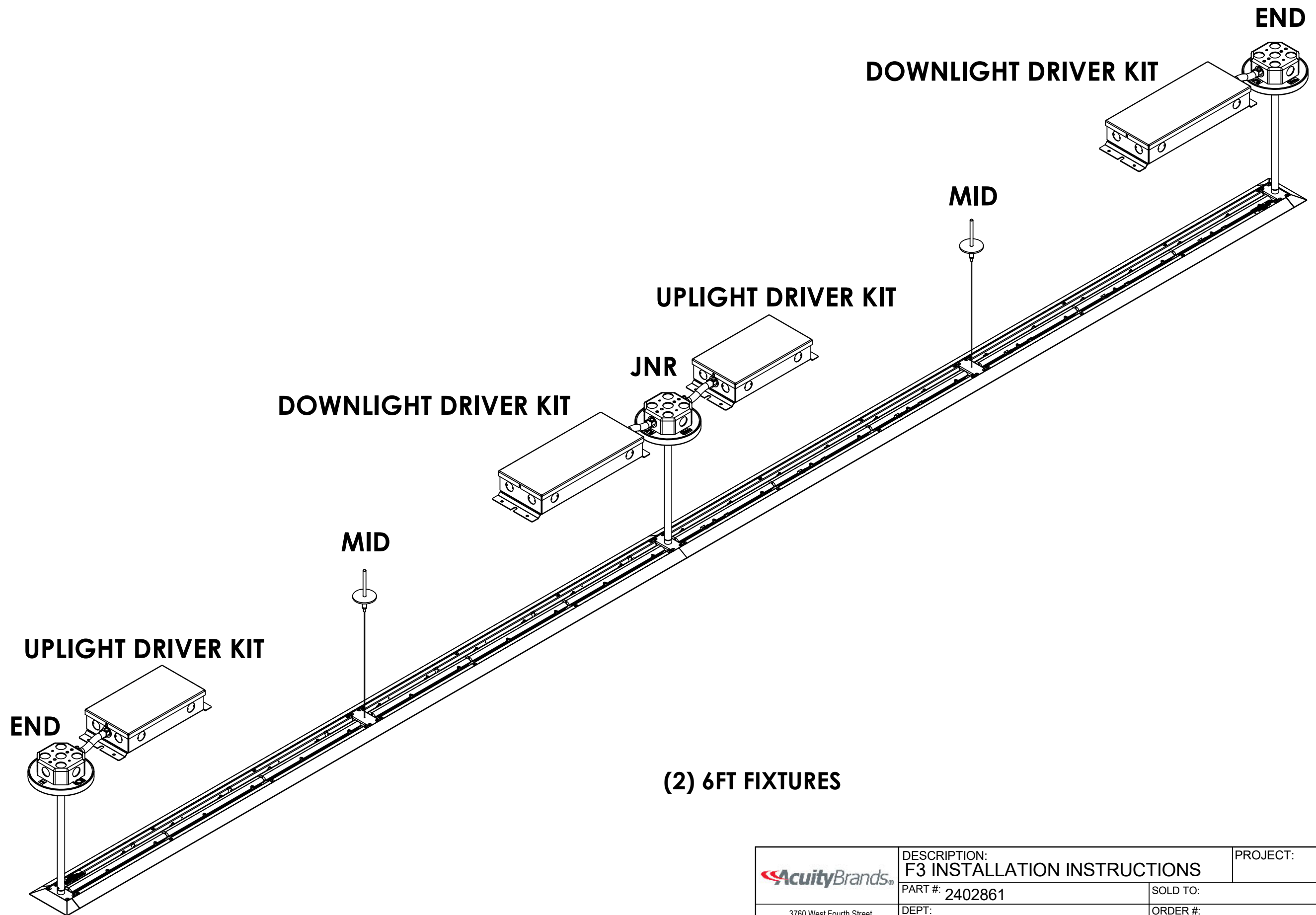
JNR

DOWNLIGHT DRIVER KIT


UPLIGHT DRIVER KIT

END

 3760 West Fourth Street PO Box 1205 Winona, MN 55987 PH: (800) 328-5291 FAX: (507) 452-8528 www.winonalighting.com	DESCRIPTION: F3 INSTALLATION INSTRUCTIONS		PROJECT:	
	PART #: 2402861		SOLD TO:	
	DEPT:		ORDER #:	
	MATERIAL:		CLASS:	
	METHOD:		AUTHOR:	
TOLERANCE UNLESS OTHERWISE SPECIFIED .X ± .XX ± .XXX ±		ANGLES ±		
		ALL DIMENSIONS ARE IN INCHES UNLESS SPECIFIED OTHERWISE		
		SHEET # 11 OF 12		



(2) 6FT FIXTURES

 3760 West Fourth Street PO Box 1205 Winona, MN 55987 PH: (800) 328-5291 FAX: (507) 452-8528 www.winonalighting.com	DESCRIPTION: F3 INSTALLATION INSTRUCTIONS		PROJECT:	
	PART #: 2402861		SOLD TO:	
	DEPT:	ORDER #:	QTY:	FINISH:
	MATERIAL:	CLASS:	REV:	SCALE: 1:8
	METHOD:	AUTHOR:	DATE:	
TOLERANCE UNLESS OTHERWISE SPECIFIED .X ± .XX ± .XXX ±			ANGLES ±	ALL DIMENSIONS ARE IN INCHES UNLESS SPECIFIED OTHERWISE SHEET # 12 OF 12