

TRAR

Tree Ring Architectural

HIGHLIGHTS

- Thoughtful and durable design, available in 2, 3, 4, 5 and 6 fixture configurations
- IP66 rated aluminum junction box
- Stainless Steel fasteners
- Designed for 10"-15" diameter trees. Please consult factory for custom diameters.
- For specified Hydrel landscape and accent fixtures
- Matching tree ring and jbox finish

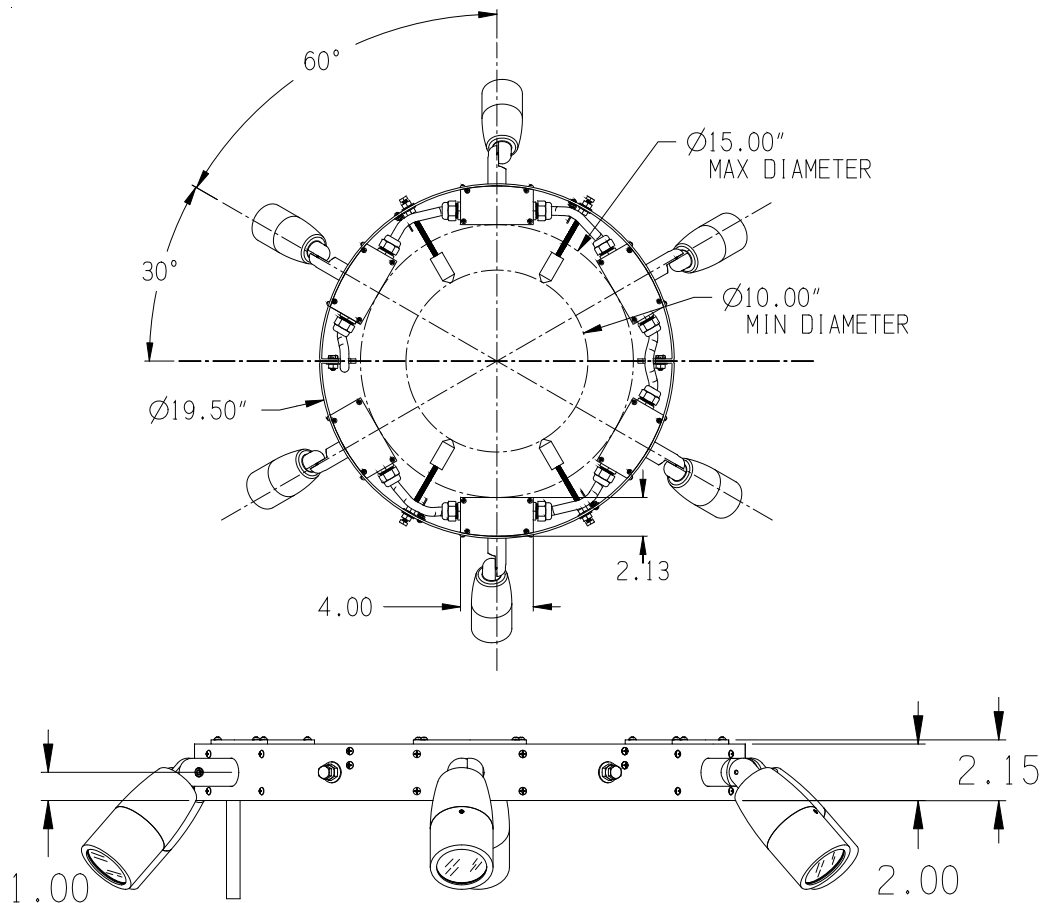
IP66



Specifications

Minimum Tree Diameter:	10" (254mm)
Maximum Tree Diameter:	15" (381mm)
Overall Diameter:	19 1/2" (495mm)
Weight (Ring Only):	22lbs. based on TRAR 6FX

DIMENSIONS

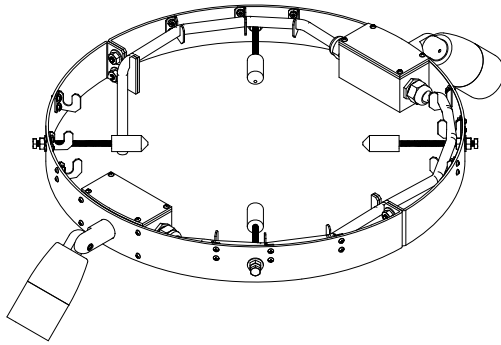


ORDERING INFORMATION
EXAMPLE: TRAR 2FX 12S 78C BL

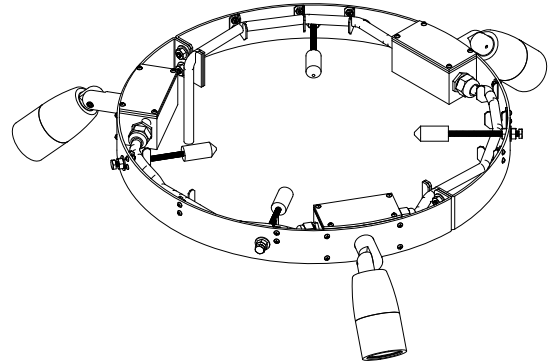
Model	Number of Fixtures*	Conduit Entries*	Fixture Opening*	Finish*
TRAR	2FX 2fixtures	12S 1/2" side conduit entry	12C Accepts 1/2"NPT threaded knuckle	BL Black Textured
	3FX 3fixtures	12B 1/2" bottom conduit entry <i>Note: 12B required for 120volt fixtures</i>	78C Accepts 7/8" thru hole	BRS Bronze Smooth
	4FX 4fixtures			BRT Bronze Textured
	5FX 5fixtures			DBL Black Smooth
	6FX 6fixtures			DDB Designer Bronze
				DNA Natural Aluminum
				NBS Natural Bronze Smooth
				STG Steel Gray
				VET Verde Textured
				WH White Textured
				WHS White
				RALTBD Note: RALTBD for pricing only, replace with applicable RAL call out when ready to order. See the RALBROCHURE for available options. It is recommended that Hydrel products only use textured paint.
				<i>Note: If fixture is ordered with Brass material and has the following finishes BRZ, NAT, POL select NBS finish for the TRAR</i>
				<i>Note: If fixture is ordered with Stainless Steel material and has the following finishes BRSS, NSS, PSS, select STG finish for the TRAR.</i>

FIXTURE MOUNTING INFORMATION

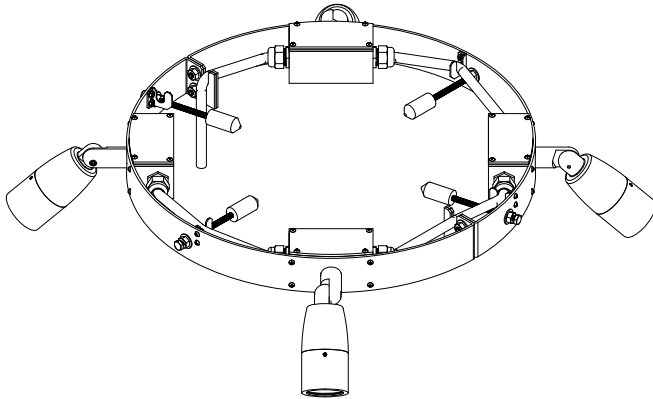
Conduit Entries	Fixture mounting	Fixture that uses this mounting
12S	78C	Alder, Aspen, Cedar, Palm, Placer



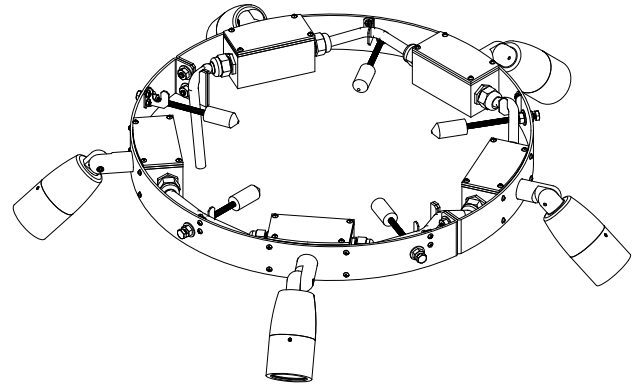
2FX tree ring



3FX tree ring



4FX tree ring



5FX tree ring

SPECIFICATIONS AND FEATURES

MATERIAL: Stainless steel outer ring and hardware. Aluminum junction boxes.

Fixture Mounting: One (1) opening at "C" location per junction box.

Conduit Entries: One (1) 1/2" NPT openings per TRAR.

Junction Box: Cast aluminum with daisy chained cord seals and cords.

Mounting Strap: Stainless steel ring secured to trunk with adjustable bolt rods to adjust to tree diameter.

Finish: See options and notes.

GOVERNMENT PROCUREMENT

BAA – Buy America(n) Act: Product qualifies as a domestic end product under the Buy American Act as implemented in the FAR and DFARS. Product also qualifies as manufactured in the United States under DOT Buy America regulations.

BABA – Build America Buy America: Product qualifies as produced in the United States under the definitions of the Build America, Buy America Act.

Please refer to www.acuitybrands.com/resources/buy-american for additional information.

WARRANTY: 1-year limited warranty. This is the only warranty provided and no other statements in this specification sheet create any warranty of any kind. All other express and implied warranties are disclaimed. Complete warranty terms located at: www.acuitybrands.com/support/warranty/terms-and-conditions

Consult factory for details.

NOTE: Actual performance may differ as a result of end-user environment and application. All values are design or typical values, measured under laboratory conditions at 25 °C. Specifications subject to change without notice.