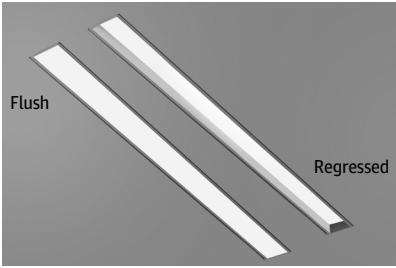


# MARK ARCHITECTURAL LIGHTING™

## Slot 4 LED Design2Ship™

### Recessed Linear

Type:



Slot 4 LED takes both form and function a step further with increased efficacy and integral controls creating a digitally addressable luminaire that is perfect where visually harmonious illumination and energy efficiency are desired.

Slot 4 LED is the ideal choice for spaces that emphasize lines and clean contemporary design. It is a perfect fit for Armstrong TechZone™ ceiling systems.

Project:

Catalog Number:

DO NOT TYPE HERE. Autopopulated field.

## Specification Features (continued on page 2)

### Housing

Nominal 4" x 2', 3', 4', 5', 6', 7', 8' and continuous rows in 1' increments as standard, upper housing fabricated from cold-rolled steel with extruded aluminum ceiling trim.

### Finish

Painted high reflectance matte white powder coat.

### Reflector

Precision-formed steel; high reflectance matte white powder coat; 93% reflectivity.

### Shielding

Flush Lens: Snap-in 90% transmissive satin acrylic lens.

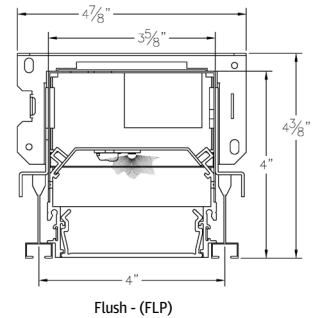
### Mounting

Recessed. Available for sheetrock, 9/16" slot grid or 15/16" inverted tee ceilings, or 9/16" inverted tee.

### Design2Ship

Maximum order quantity of 350 linear feet per order. 5 or 15 business day shipment from clean release of order, depending upon options selected.

## Technical Drawing



### Fixture Performance - SL4L\*

Lumens Output	400 LMF		600 LMF**		800 LMF**		1000LMF	
Fixture Style	RLP	FLP	RLP	FLP	RLP	FLP	RLP	FLP
Delivered Lumens/FT	316	314	544	541	737	734	928	924
Input Watts/FT	4	4	6	6	8	8	10	10
Lumen/Watt	91	91	95	95	93	93	90	89

\* CCT (35K)

\* Consult factory for customized lumen output and wattage

\*\*Based on calculated values



## Ordering

Example: SL4L QS LOP 4FT FLP TG 80CRI 35K 600LMF MIN10 120 ZT

Series	Program	Linear Length Plan	Total Run Length	Fixture Style	Ceiling Trim
SL4L Slot 4 LED Linear Recessed	QS Quick Ship (5 business day shipping unless otherwise noted. Maximum 350 linear feet per order.)	LOP Linear Optimized Plan	2FT 2' 3FT 3' 4FT 4' 5FT 5' 6FT 6' 7FT 7' 8FT 8' _FT *Specify continuous linear feet in 1 foot increments	FLP <sup>1</sup> Flush Lens	FL <sup>2</sup> 5/8" Flange(sheetrock) TG 9/16" or 15/16" Flat or Inverted Tee

Direct Light Source Color Rendering	Direct LED Color Temp	Direct LED Light Output <sup>4</sup>	Direct Distribution	Minimum Dimming Level	Voltage	Emergency Options
80CRI 80 CRI 90CRI 90 CRI	30K 3000K 35K 3500K 40K 4000K	400LMF 400 Lumens per FT 600LMF 600 Lumens per FT 800LMF 800 Lumens per FT 1000LMF 1000 Lumens per FT	(blank) Standard Distribution	NODIM Non - Dim MIN10 10% Minimum Dimming	120 120V 277 277V	(blank) No Emergency E10WLCP <sup>3</sup> 4ft Emergency Section with battery pack (15 Day Shipping Required) EC 4ft Emergency circuit

Control Input	Options
(blank) <sup>4</sup> Non-dim ZT 0 10V NLIGHT nLight enabled (15 Day Shipping Required)	CP Chicago Plenum

### Notes

- Supplied with snap-in lens.
- Not intended for post sheetrock installation.
- Default battery pack is integral. Battery pack will be remote on 2' and 3' units (RE10WLCP). Only 1 integral battery per unit.
- Must select with NODIM option.

---

## Specification Features (continued)

---

### LED Life

Rated 65,000 hours (L80) at 25 °C ambient temperature.

### Color Consistency

The Acuity Brands circuit boards for the linear LED components use a precise binning algorithm which creates a consistent color temperature from board to board. Color variation is no greater than a 2.5 Step MacAdam (2.5SDCM) along the black body locus from board to board.

### Driver

Factory tuned constant current electronic dimming driver is standard. Flicker free dimming available down to 10%. LED drivers perform within the recommended operating areas for flicker as a function of frequency and modulation (%) IEEE Standard 1789 2015 (IEEE Recommended Practices for Modulating Current in High-Brightness LEDs for Mitigating Health Risks to Viewers), in typical operating conditions at representative dimming levels. Electrical specifications at maximum driver load: PF > 0.9 and THD <20%. Meets FCC Title 47 Class A and Class B. All drivers are RoHS compliant.

### Integrated Controls

Optional nLight® embedded controls make luminaire addressable- allowing it to digitally communicate with other nLight enabled controls such as dimmers, switches, occupancy sensors and photocontrols. Simply connect all the nLight enabled control devices using standard CAT5 Cabling. (Input option: NLIGHT)

### Certification

CSA tested to UL 1598 standards. Damp location listed. This product is IC rated.

### Warranty

5-year limited warranty. This is the only warranty provided and no other statements in this specification sheet create any warranty of any kind. All other express and implied warranties are disclaimed. Complete warranty terms located at: [www.acuitybrands.com/support/warranty/terms-and-conditions](http://www.acuitybrands.com/support/warranty/terms-and-conditions)

**Note:** Actual performance may differ as a result of end-user environment and application.

All values are design or typical values, measured under laboratory conditions at 25 °C.

Specifications subject to change without notice.

### Photometry

For photometric information refer to [www.marklighting.com](http://www.marklighting.com).

---

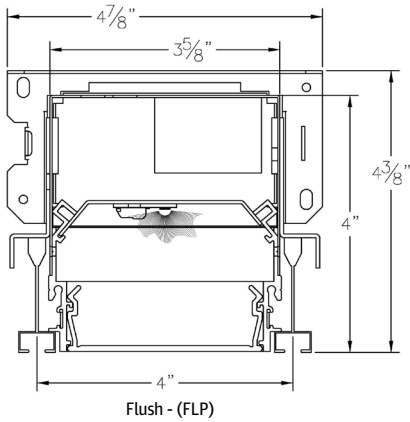
## Design2Ship™ Program Details

---

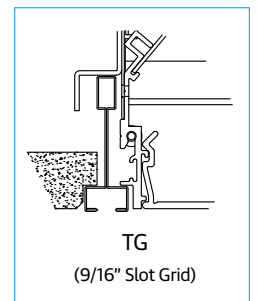
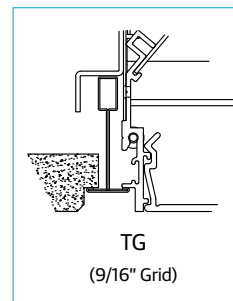
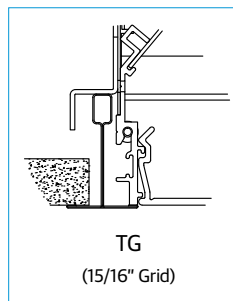
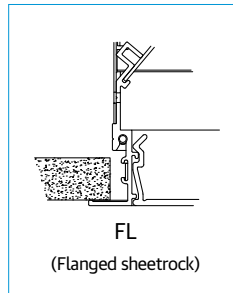
### MAXIMUM QUANTITY OF 350 LINEAR FEET PER ORDER

1. Standard options ship in 5 business days, except for integrated control options, which ship in 15 business days.
2. All orders received after 3:30pm EST will be processed the next business day and will receive an estimated ship date from that date.
3. If an order exceeds the product specification sheet quantity the following shall apply:
  - a. If less than or equal to two times maximum Design2Ship quantity, the order will be split into two delivery dates. The first will go in 5 or 15 days, depending upon options selected, followed by the second in 10 or 20 days.
  - b. If the order is more than two times the maximum Design2Ship quantity, then the order would not qualify as a Design2Ship order.
4. Changes to the order are not permitted.
5. For cancellation fees, refer to Acuity Brands' Terms and Conditions of Sale.
6. Products not included in the Design2Ship program should be entered on a separate purchase order.
7. Orders placed with both Design2Ship and non-Design2Ship products will default to the longest lead-time.

**Technical Drawing**



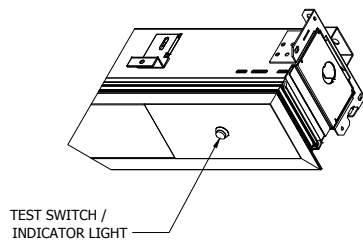
**Ceiling Trim**



TG ceiling trim is suitable to mounted to a 4" techzone ceiling type.

**Emergency Battery**

**Internally Mounted (E10WLCP)**



- Notes**
- Delivers 700 lumens per 4FT length. Default location is the right side of fixture and end of run.
  - Provided with 4FT of flexible conduit. Maximum of 25FT remote distance if extended. Extension provided by others.
  - See ordering tree notes for remote battery pack scenarios.

**Remote Mounted (RE10WLCP)**

