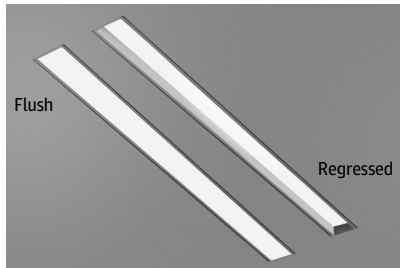


MARK ARCHITECTURAL LIGHTING™

Slot 4 LED Recessed Linear

Type:



Slot 4 LED takes both form and function a step further with increased efficacy and integral controls creating a digitally addressable luminaire that is perfect where visually harmonious illumination and energy efficiency are desired.

Slot 4 LED is the ideal choice for spaces that emphasize lines and clean contemporary design. It is a perfect fit for Armstrong TechZone™ ceiling systems. A regressed lens option provides added dimension to the sleek, slender design and the flush lens now has a Wet Label option.

Project:

Catalog Number:

DO NOT TYPE HERE. Autopopulated field.

Specification Features

Housing

Nominal 4" x 2', 3', 4', 5', 6', 7', 8' and continuous rows in 1" increments as standard, upper housing fabricated from cold-rolled steel with extruded aluminum ceiling trim.

Finish

Polyester powder coat painted finish.

Reflector

Precision-formed steel; high reflectance matte white powder coat; 93% reflectivity.

Shielding

Flush Lens: Snap-in 90% transmissive satin acrylic lens. Lens is not sealed or gasketed.

Regressed Lens: Lay-in 90% transmissive satin acrylic lens.

Mounting

Recessed. Available for sheetrock, 9/16" slot grid or 15/16" inverted tee ceilings, or 9/16" inverted tee.

Certification

CSA certified to meet U.S. and Canadian standards (UL1598 and UL8750). This product is IC rated. Optional Damp (DPL) or Wet (WL) location listings available with specified nomenclature. Wet location listing is suitable for covered ceiling mount installation only, where any water exposure is beneath the non-porous mount surface.

Government Procurement

BAA - Buy America(n) Act: Product qualifies as a domestic end product under the Buy American Act as implemented in the FAR and DFARS. Product also qualifies as manufactured in the United States under DOT Buy America regulations.

BABA - Build America Buy America: Product qualifies as produced in the United States under the definitions of the Build America, Buy America Act.

Please refer to www.acuitybrands.com/buy-american for additional information.

Warranty

5-year limited warranty. This is the only warranty provided and no other statements in this specification sheet create any warranty of any kind. All other express and implied warranties are disclaimed. Complete warranty terms located at: www.acuitybrands.com/support/warranty/terms-and-conditions

A+ Capable Luminaire

This item is an A+ capable luminaire, which has been designed and tested to provide consistent color appearance and out-of-the-box control compatibility with simple commissioning when used with Acuity Brands controls products.

All configurations of this luminaire are calibrated and tested to meet the Acuity Brands' specification for chromatic consistency - including color rendering, color fidelity, and color temperature tolerance around standard CIE chromaticity coordinates.

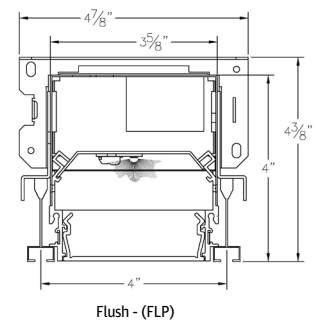
To learn more about Acuity A+ standards, specifications, and testing, visit www.acuitybrands.com/aplus

Note: Actual performance may differ as a result of end-user environment and application.

All values are design or typical values, measured under laboratory conditions at 25 °C.

Specifications subject to change without notice.

Technical Drawing



Fixture Performance - SL4L*

Lumens Output Fixture Style	400 LMF		600 LMF**		800 LMF**		1000LMF	
	RLP	FLP	RLP	FLP	RLP	FLP	RLP	FLP
Delivered Lumens/FT	316	314	544	541	737	734	928	924
Input Watts/FT	4	4	6	6	8	8	10	10
Lumen/Watt	91	91	95	95	93	93	90	89

* CCT (35K)

* Consult factory for customized lumen output and wattage

** Based on calculated values

Note: UGR data available on Page 5

LED Components

Linear: Nichia® - 757 Series LED chips (available in 80 or 90 CRI)

LED Life

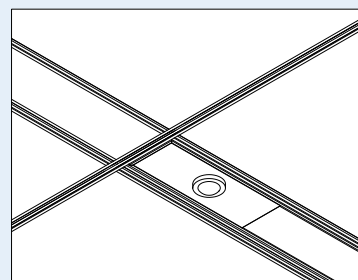
Rated 65,000 hours (L80) at 25 °C ambient temperature.

Color Consistency

The Acuity Brands circuit boards for the linear LED components use a precise binning algorithm which creates a consistent color temperature from board to board. Color variation is no greater than a 2.5 Step MacAdam (2.5SDCM) along the black body locus from board to board.

Driver

eldoLED constant current driver options delivers ultra-smooth dimming resolution from 100% to 0.1%, while assuring flicker free, low current inrush, 89% efficiency and low EMI.




Occupancy Sensor (PDT) and/or Photocell (ADC)

Integrated Controls

Optional nLight® embedded controls make luminaire addressable- allowing it to digitally communicate with other nLight enabled controls such as dimmers, switches, occupancy sensors and photocontrols. Simply connect all the nLight enabled control devices using standard CAT5 Cabling. (Input option: NLIGHT)

Photometry

For photometric information refer to www.marklighting.com.

 Design Select options indicated by this color background.

Ordering

Example: SL4L LOP 4FT FLP TG 90CRI 35K 400LMF MIN1 277 NLIGHT

Series	Linear Length Plan	Total Run Length	Fixture Style	Ceiling Trim	Direct Light Source Color Rendering	Direct LED Color Temp
SL4L Slot 4 LED Linear Recessed	LOP Linear Optimized Plan	2FT 2' 3FT 3' 4FT 4' 5FT 5' 6FT 6' 7FT 7' 8FT 8' _FT_ *Specify continuous linear feet in 1" increments (7FT6 = 7FT 6IN) _FT_ **Specify continuous linear feet in 1 foot increments	RLP ^{1,3} Regressed Lens FLP ² Flush Lens	FL ⁴ 5/8" Flange(sheetrock) FLINB ^{23,24} 5/8" Flange (sheetrock) Install From Below TG 9/16" or 15/16" Flat or Inverted Tee GB ⁴ Trimless (sheetrock) WFL Perimeter Mount, 5/8" Flange (Sheetrock) WTG 9/16" Flat or Inverted Tee, Perimeter Mount <small>*For metal pan, hard wood or other ceiling types consult factory.</small>	80CRI 80 CRI 90CRI 90 CRI	27K* 2700K 30K 3000K 35K 3500K 40K 4000K 50K* 5000K

Direct LED Light Output	Direct Distribution	Downlight ¹¹	Downlight Color Rendering	Downlight Color Temp	Minimum Dimming Level	Voltage
400LMF 400 Lumens per FT 600LMF 600 Lumens per FT 800LMF 800 Lumens per FT 1000LMF 1000 Lumens per FT _LMF* ¹¹ ## Lumens per FT (Limited to 300LMF to 1000LMF in 50LMF increments)	(blank) Standard Distribution WW ⁵ Wall Wash	2DL ^{3,6} LED Downlight Standard _DL ^{3,6} LED downlights per Run (3DL, 4DL, ect.)	S80CRI 80 CRI S90CRI 90 CRI	S27K 2700K S30K 3000K S35K 3500K S40K 4000K	NODIM Non - Dim MIN1 Constant current, dimming to 1% DARK Constant current, dimming to 0.1% MIN10 ¹⁸ Constant current, dimming to 10%	120 120V 277 277V 347 ⁸ 347V

Finish	Emergency Options	Control Input	Primary Sensor ¹³	Secondary Sensor ¹³
(blank) White (satin) xxx/BLKT Black (satin) xxx/SLVT Silver (satin) xxx/AMF Anti-Microbial White (satin) xxx/RALTB RAL paint finish <small>xxx = fill in with the appropriate ceiling trim. Only trims are painted RALTB is for pricing only. Replace with applicable RAL number and texture when placing order</small>	(blank) No Emergency _E10WLCP ⁹ Number of 4ft Emergency Section(s) with battery pack _EC ¹⁰ # of Emergency Circuits WEC Entire run on EC	(blank) Non-dim ¹² ZT 0 10V NLIGHT nLight enabled NLTAIR2 ¹⁹ nLight Air (wireless enabled) ECOD ¹⁷ Lutron Hi-Lume digital driver DALI ²⁰ DALI compatible	(blank) Single Zone, No Sensor NS Multi-zone, No Sensor Main Zone, No Sensors PDT ¹⁴ Dual Technology Occupancy Sensor, PIR and Microphonics Sensor ADC ¹⁴ Daylight Dimming Sensor API ¹⁵ Passive Infrared Occupancy Sensor and Daylight Dimming Sensor APD ¹⁵ Dual Technology Occupancy Sensor and Daylight Dimming Sensor	(blank) No additional zones/sensors SNS Multi-zone, with no sensor in secondary zone, No Sensors SPDT ¹⁴ Dual Technology Occupancy Sensor, PIR and Microphonics Sensor SADC ¹⁴ Dual Technology Occupancy Sensor, PIR and Microphonics Sensor SAPI ¹⁵ Passive Infrared Occupancy Sensor and Daylight Dimming Sensor SAPD ¹⁵ Dual Technology Occupancy Sensor and Daylight Dimming Sensor

Tertiary Zone	Options
(blank) No additional zones/sensors TNS Multi-zone, with no sensor in tertiary zone	(blank) No Options CP ²² Chicago Plenum BAA Buy America(n) Act and/or Build America Buy America Qualified WL ^{3,11,22} Wet Location Listing DPL ²² Damp Location Listing PWS 6' Pre-Wire, 3/8" Diameter, 18 Gauge

* Requires longer lead time.

Notes

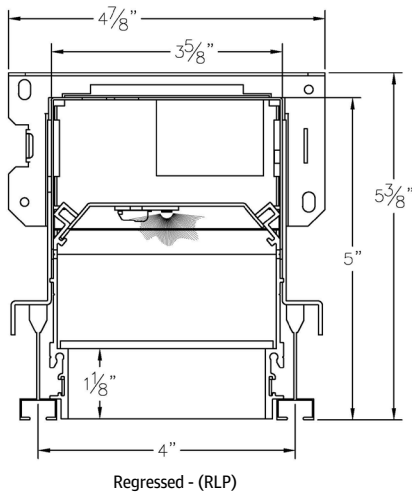
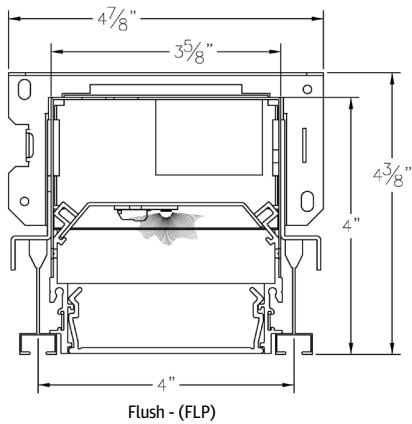
- Supplied with lift and shift lay-in lens.
- Supplied with snap-in lens.
- Wet Location label not available with downlights, regressed lens, or with sensor options, or PWS. Cannot be installed on vertical surfaces.
- Not intended for post sheetrock installation.
- Wall Wash not available with downlights, RLP lens and all sensor options.
- See notes on page 3, downlights only available with DARK dimming level.
- No longer applicable.
- Not available with 2' sections, E10WLCP or sensors. Only available with NODIM or MIN1 with ZT.
- Default battery pack is integral, battery pack will be remote on 2' & 3' (RE10WLCP). Integral battery not available with RLP, WW, sensors or downlights. Only 1 integral battery pack per unit. CP listing must have an integral battery. Remote batteries are not wet location listed, they may be used with a wet location fixture is the battery itself is mounted in a dry location.
- Standard 4' EC section, defaults to end of run. 2ft, 3ft and 5ft powers entire fixture, 6ft powers 3ft EC section.
- Not available with ECOD control input.
- Only available with NODIM option.
- Sensors not available with WW, NODIM driver, WL, RLP, downlights or 2' & 3' units. Not available with 347 & NLIGHT together. Default location for sensor is the left side of the fixture. For runs the first fixture will include the sensor.
- Requires ZT or NLIGHT Control Input.
- Requires ZT, NLIGHT or NLTAIR2 Control Input.
- No longer applicable.
- Must select MIN1 options.
- MIN10 not available with 347, sensors, NLIGHT or NLTAIR2, requires ZT.
- Must select MIN1 or DARK. Not available with RLP, WW, PDT, ADC or 347, DPL or WL.
- DALI is only available with DARK or MIN1. It is not available with sensors or downlights.
- CP not available with NLTAIR2.
- Lens is not sealed or gasketed.
- 1" increments will have extended lead times.
- Not available with RLP regressed lens option.

 **design select**

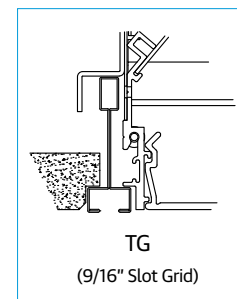
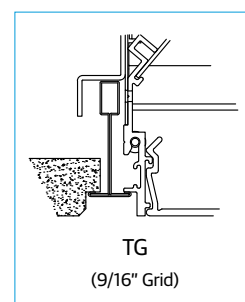
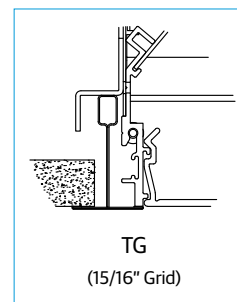
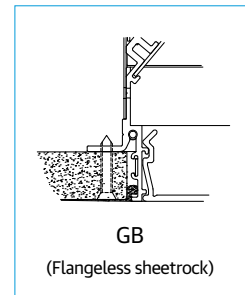
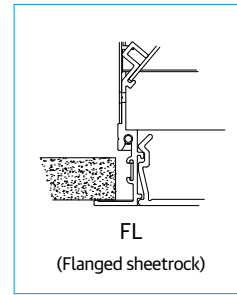
Items marked by a shaded background qualify for the Design Select program and ship in 15 days or less. To learn more about Design Select, visit www.acuitybrands.com/designselect.
 *See ordering tree for details

Maximum order quantity for Design Select lead times is 350 linear feet.

Technical Drawing



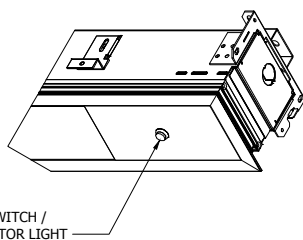
Ceiling Trim



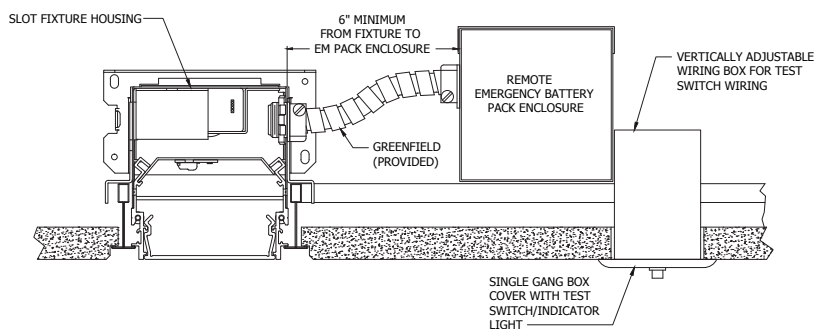
TG ceiling trim is suitable to mounted to a 4" techzone ceiling type.

Emergency Battery

Internally Mounted (E10WLCP)



Remote Mounted (RE10WLCP)

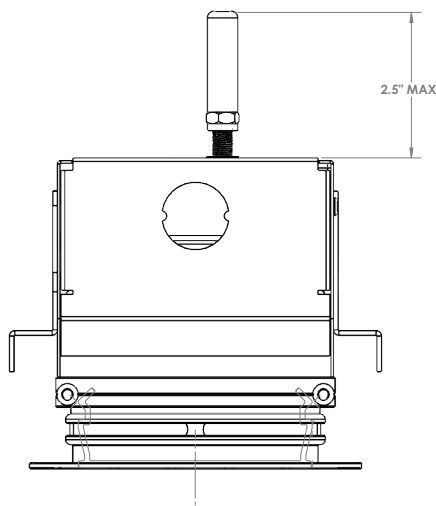


- Notes**
- Delivers 700 lumens per 4FT length. Default location is the right side of fixture and end of run.
 - Provided with 4FT of flexible conduit. Maximum of 25FT remote distance if extended. Extension provided by others.
 - See ordering tree notes for remote battery pack scenarios.

nLight Air Wireless

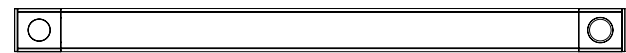
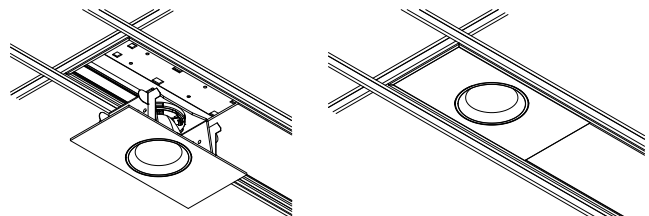
nLight Air

The default location of the antenna will be at the left end of an individual unit. On a run, it will be placed at the beginning or left end of the first section. Please consult factory for other placement options.

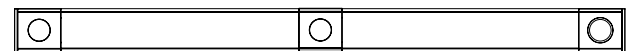


Downlights

Optional downlights powered by Xicato Spot Modules are available with any linear length and no less than 2' on center spacing. Each downlight module is 6W with 700 lumens delivered (28 degree beam spread). Downlights are supplied with a dedicated feed-point and will be controlled separately.



Standard Downlight Location



Other Downlight Configuration (consult factory)

Notes

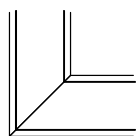
- 2DL - Downlights are supplied at each end of an individual unit
- _DL - Multiple downlights will be supplied with one at each end and the remainder will be centered over the length of the run.
- Downlights are not adjustable and are provided with solite lens

Continuous Runs

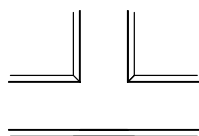
Slot 4 LED continuous rows can be configured in 1" increments.

Run Patterns, Corners and Junction

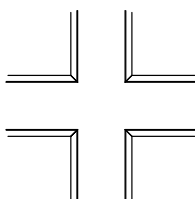
Slot 4 LED patterns be configured in 1' increments with illuminated 90° inside and outside corners, T junctions, and X junctions with standard 2' corner and junction lengths. For custom angles, corner or junction lengths, consult factory.



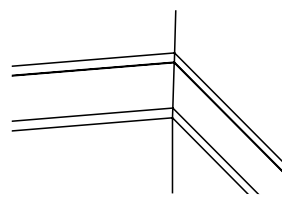
90° Corner



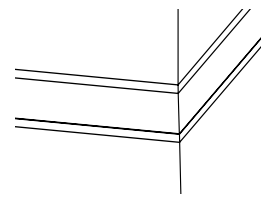
T Junction



X Junction



Inside Corner



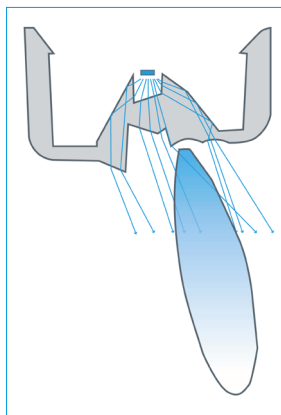
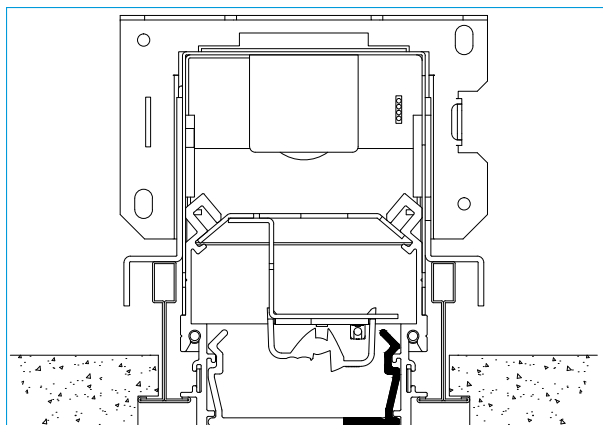
Outside Corner

Layout Sketch

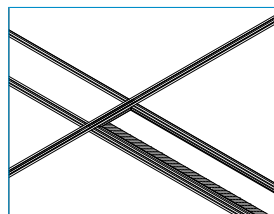
Please draw and configure your linear run below.

OPTICS

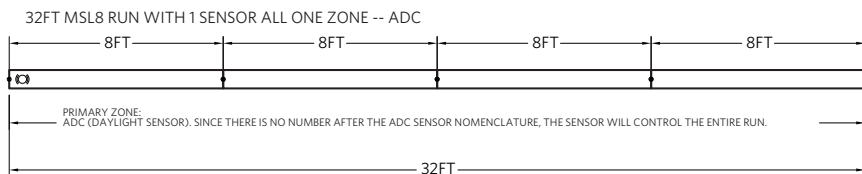
Slot LED's patent-pending, precision lumen DIRECTIR optics condition and refract light to deliver accurately controlled, striation-free, and uniform white light. All lumen DIRECTIR optics are injection-molded, optical grade, UV-resistant acrylic with selective finishing/polishing treatment.



Wall Wash (WW)



INTEGRATED SENSOR LAYOUT



Notes:
● Only one sensor per zone

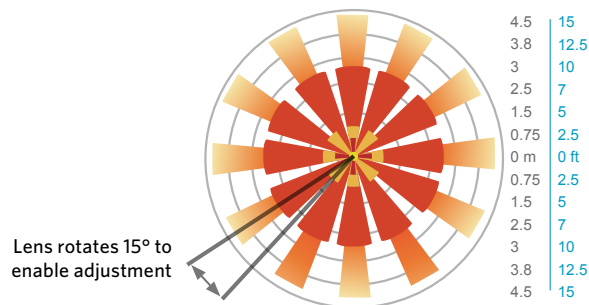
OCCUPANCY DETECTION COVERAGE

At the 7.5 ft (2.9 m) hanging height of a typical pendant mount fixture the sensor provides 10 ft (3.05 m) radial detection of small motion. At a 9 ft (2.74 m) hanging height the radius is 12 ft (3.66 m) for small motion.

Adequate for walking motion detection from mounting heights between 7.5 ft (2.29 m) and 20 ft (6.10 m).

Initial detection will occur earlier when walking across sensor's field of view than when walking directly at sensor.

Initial detection of walking motion into long coverage segment will occur at distances of 2x the mounting height up to 15 ft (4.57 m) and 1.75x up to 20 ft (6.10 m). Lens assembly rotates 15° to enable adjustment in order to line up long segments.



UGR CHART

Lumen Package	UGR (70% 50% 20% REFLECTANCE USING A 4H X 8H ROOM SIZE)					
	Crosswise			Endwise		
	FLP	RLP	WW	FLP	RLP	WW
400LMF	21.4	20.8	20.2	21.4	17.8	18.7
600LMF	23.3	22.7	22.1	23.3	19.7	20.6
800LMF	24.4	23.7	23.2	24.3	20.8	21.6
1000LMF	25.2	24.5	24	25.1	21.6	22.4

*UGR varies based on luminaire options and is affected by application dependent parameters. Numbers depicted here are considered "Luminaire-UGR" and/or "Point-UGR" values. To determine a more precise maximum UGR value ("Application-UGR"), a full lighting design layout should be completed with the selected luminaire configuration for each application.

** Click here for more information on UGR FAQ