



HLF501

Linear Flood

Dynamic Color RGBW

HIGHLIGHTS

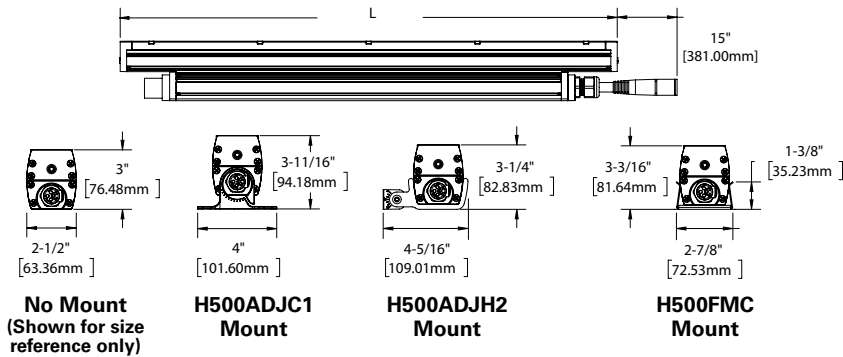
- Surface mount luminaire designed to graze or wash architectural features or facades with theatrical lighting
- One-piece extruded aluminum housing lending both high quality and longevity.
- IP66 rated per IEC60598
- Available in 2ft, 3ft, or 4ft lengths with wide open distribution, placing the light where it is required.
- DMX controllable with Remote Device Management (RDM) capability
- 3G vibration rated per ANSI C136.31


 ARCHITAINMENT
COLOR


Specifications

Model	Length	Weight
HLF501	25 - 1/8" (639mm)	7.5 lbs (3.40kg)
	37" (941mm)	11 lbs (4.98kg)
	48 - 7/8" (1242mm)	13 lbs (5.90kg)

DIMENSIONS



LUMEN PACKAGES

	9x9	10x60	15x30	30x60	40x60	60x60	WWD
Delivered Lumens	2087	2090	2621	2681	2483	2657	2092
Watts	37.7	37.7	29.91	29.91	29.91	29.91	29.91
LPW	55	55	88	90	83	89	70

Information based on 4FT, 650 LMF

ORDERING INFORMATION EXAMPLE: HLF501 LCB 2FT MSL2 650LMF ARTC RGBW MVOLT 9x9DEG FCA H500ADJH2 CWM6 HVSR DARK FCCSL100D DMX BKT

Series*		Linear Plan*		Total Run Length*		Maximum Fixture Length*		LED Output*		Dynamic Feature*			
HLF501	Hydrel Linear Flood	LCB	Linear Center Balance	#FT	Total Run Length offered in 1FT increments starting at 2FT. See page 5 for maximum run lengths	MSL2	2FT Section Length	650LMF	650 Nominal Lumens Per Foot	ARTC	Architainment Color		
		LLP	Linear Longest Possible			MSL3	3FT Section Length					750LMF	750 Nominal Lumens Per Foot
		LSL	Linear Same Length			MSL4	4FT Section Length						
Color Temperature*		Voltage*		Distribution*		Lens*		Mounting*					
RGBW	Dynamic Color Red Green Blue + White	MVOLT	120V-277V	9X9DEG	9 x 9 Degrees	FCA	Frosted Clear Acrylic	H500ADJC1	Adjustable Mount Center Axis				
				10X60DEG	10 x 60 Degrees				H500ADJH2	Adjustable Mount Side Hinge			
				15X30DEG	15 x 30 Degrees					H500FMC	Fixed Mount		
				30X60DEG	30 x 60 Degrees								
				40X60DEG	40 x 60 Degrees								
				60X60DEG	60 x 60 Degrees								
				WWD	Wall Wash (Asymmetric)								
**WWD option supplied with a snap-on visor													
Mounting Accessories Optional		Extra Shielding Optional		Dimming*		Cord Set Length*		Control Input*		Finish*			
CWM6	Cantilever Wall Mount 6" Projection	HBFL	Baffle Linear Surface (Matte Black Finish)	DARK	Constant Current, Dimming to <1%	FCCSL100D	100FT Feed Cable Wet Location with DMX Plug	DMX	DMX	BKT	Black Textured Paint		
CWM12	Cantilever Wall Mount 12" Projection					HVSRL	Glare Visor Linear Surface (Finish to match housing)			FCCSL10D	10FT Feed Cable Wet Location with DMX Plug	SIT	Silver Textured Paint
CWM18	Cantilever Wall Mount 18" Projection	FCCSL25D	25FT Feed Cable Wet Location DMX Plug					WHT	White Textured Paint				
CWML6	Cantilever Wall Mount Large 6" Projection	FCCSL50D	50FT Feed Cable Wet Location DMX Plug					CF	Custom Painted Finish				
CWML12	Cantilever Wall Mount Large 12" Projection	NOFCL	No Power Feed Cable					RALTBD	RAL Paint Finish				
CWML18	Cantilever Wall Mount Large 18" Projection							RALTBD for pricing only, replace with applicable RAL call out when ready to order. See the Architectural RAL Color brochure for available options.					
Note: Must have 500ADJH2 mounting selected													

Note: * is a required field

Accessories	
Controller (Fresco Control System)	See page 6-8
Controller (Easy™ Solo / Touch / Pro)	See page 6-8
DMX-RDM Repeater with Power in IP65 Enclosure	See page 5
Feed Cable (required for installation)	See page 6-8
Jumper Cable	See page 6-8
Liquid-Tight Cord Grip	See page 6-8
Glare Visor	See page 6-8
Baffle	See page 6-8
Brackets	See page 6-8

PERFORMANCE DATA

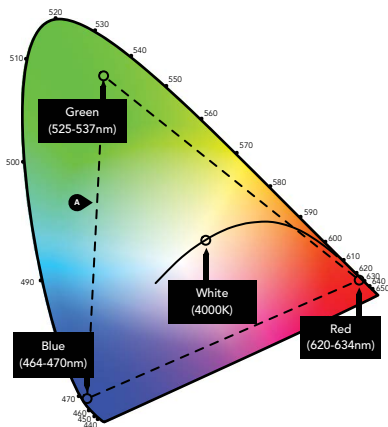
Lumens Per Foot	Fixture Length	Distribution	Delivered Lumens	Input Watts	Lumen/Watt	Delivered Lumens Per Foot	Input Watts Per Foot
650	2FT	9x9	1165	22.9	51	583	11.45
	2FT	10x60	1167	22.9	51	584	11.45
	2FT	15x30	1237	16.04	77	619	8.02
	2FT	30x60	1264	16.04	79	632	8.02
	2FT	40x60	1171	16.04	73	586	8.02
	2FT	60x60	1253	16.04	78	627	8.02
	2FT	WWD	987	16.04	62	494	8.02
	3FT	9x9	1648	32.99	50	549	11.00
	3FT	10x60	1651	32.99	50	550	11.00
	3FT	15x30	1927	22.72	85	642	7.57
	3FT	30x60	1970	22.72	87	657	7.57
	3FT	40x60	1825	22.72	80	608	7.57
	3FT	60x60	1953	22.72	86	651	7.57
	3FT	WWD	1538	22.72	68	513	7.57
	4FT	9x9	2087	37.7	55	522	9.43
	4FT	10x60	2090	37.7	55	523	9.43
	4FT	15x30	2621	29.91	88	655	7.48
	4FT	30x60	2681	29.91	90	670	7.48
	4FT	40x60	2483	29.91	83	621	7.48
	4FT	60x60	2657	29.91	89	664	7.48
4FT	WWD	2092	29.91	70	523	7.48	

Lumens Per Foot	Fixture Length	Distribution	Delivered Lumens	Input Watts	Lumen/Watt	Delivered Lumens Per Foot	Input Watts Per Foot
750	2FT	9x9	1354	28.8	47	677	14.40
	2FT	10x60	1356	28.8	47	678	14.40
	2FT	15x30	1475	19.19	77	738	9.60
	2FT	30x60	1508	19.19	79	754	9.60
	2FT	40x60	1397	19.19	73	699	9.60
	2FT	60x60	1495	19.19	78	748	9.60
	2FT	WWD	1177	19.19	61	589	9.60
	3FT	9x9	1914	41.49	46	638	13.83
	3FT	10x60	1917	41.49	46	639	13.83
	3FT	15x30	2298	27.19	85	766	9.06
	3FT	30x60	2350	27.19	86	783	9.06
	3FT	40x60	2177	27.19	80	726	9.06
	3FT	60x60	2330	27.19	86	777	9.06
	3FT	WWD	1835	27.19	67	612	9.06
	4FT	9x9	2424	47.42	51	606	11.86
	4FT	10x60	2428	47.42	51	607	11.86
	4FT	15x30	3127	35.78	87	782	8.95
	4FT	30x60	3197	35.78	89	799	8.95
	4FT	40x60	2962	35.78	83	741	8.95
	4FT	60x60	3170	35.78	89	793	8.95
4FT	WWD	2496	35.78	70	624	8.95	

Lumen values are from photometric tests performed in accordance with IESNA LM-79-08. Data is considered to be representative of the configurations shown, within the tolerances allowed by Lighting Facts. Actual performance may differ as a result of end-user environment and application. Contact factory for performance data on any configurations not shown here.

IES data is available at www.winonaighting.com. Refer to website for the latest IES file updates.

RGBW GAMUT AND RANGE



A RGBW Range within triangle formed by RGB

- The Gamut of a luminaire determines the potential color range, specifically the dominant wavelength of each primary color.
- The Path determines the range of colors the user can select for the luminaire.

ARCHITAINMENT COLOR GPHD

- Gamut Triangular
- Path Full RGB gamut
- Handle Four Handles: Red, Green, Blue, White
- Data DMX512/RDM

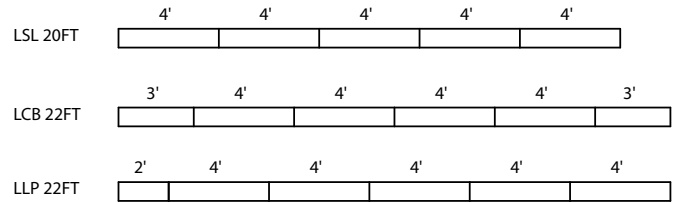
The RGBW Range reaches the full range of saturated colors and subtle pastels to create bold transformational effects.

Linear Plan

Hydrel offers the ability to provide a continuous run plan to suit your requirements by optionally offering three methods of configuration.

LSL Linear Same Length:

In this configuration each segment is the same length is standardized based on the longest length available and is the only option provided. Because it is dependent on one segment length there are mathematical limitations on what overall row lengths can be achieved. Example: 20FT row would be achieved with (5) 4FT long segments equaling 20FT (nominal).



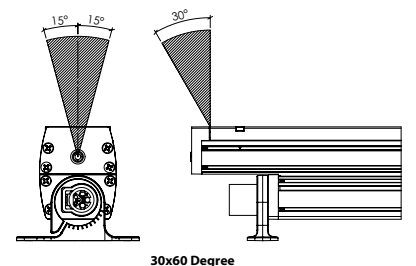
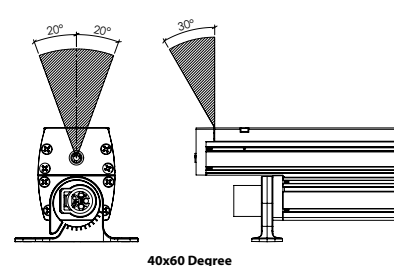
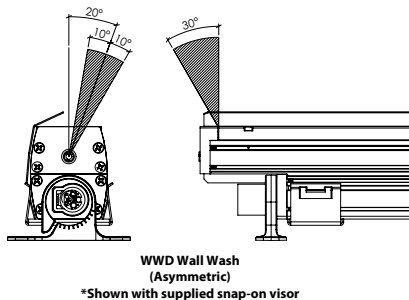
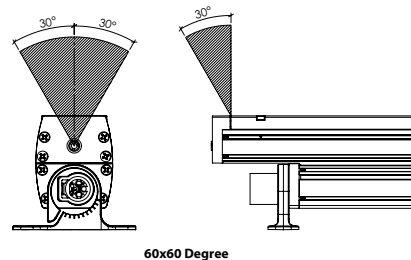
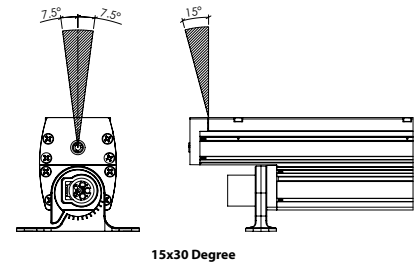
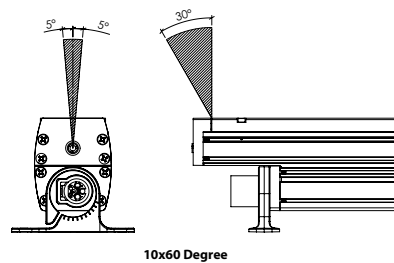
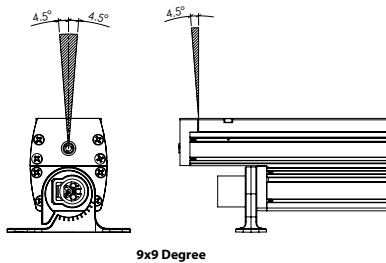
LCB Linear Center Balanced:

This configuration incorporates the longest center segment(s) along with any additional lengths required to fill located at each end. Example: 22FT row would have (2) 3FT segments (one at each end) and (4) 4FT intermediate segments located in between.

LLP Linear Longest Possible:

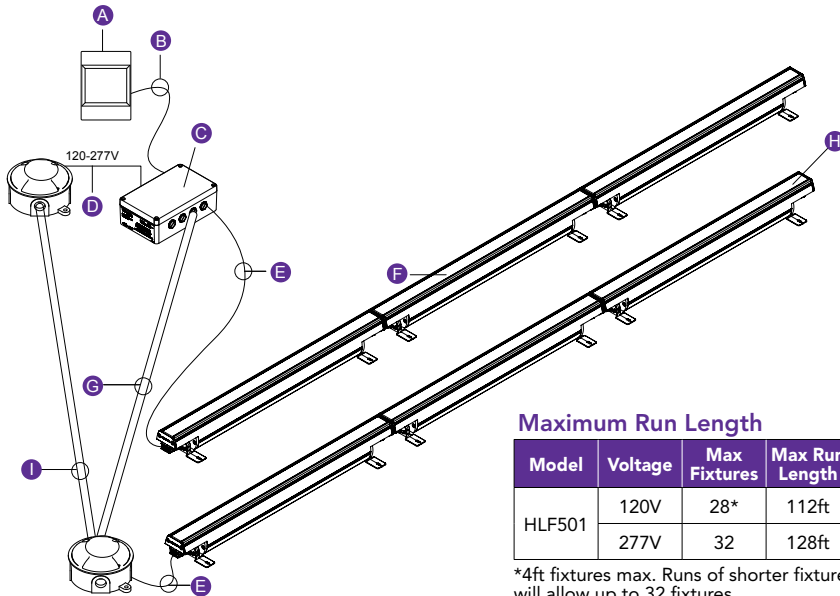
In this plan the longest length available is optimized resulting in the fewest segments and mounting locations. Caution should be used where balanced appearance is a concern. Example: 22FT row would have (5) 4FT segments and (1) 2FT segment located at one end.

DISTRIBUTION



BASIC SYSTEM WIRING INFORMATION

This very basic system wiring diagram provides an overview of components and materials required for a simple installation of HLF501 luminaires controlled by a DMX controller. These diagrams should not be used in place of actual installation instructions or submittal drawings prepared for a specific project.



Maximum Run Length

Model	Voltage	Max Fixtures	Max Run Length
HLF501	120V	28*	112ft
	277V	32	128ft

*4ft fixtures max. Runs of shorter fixtures will allow up to 32 fixtures

PATHWAY CONNECTIVITY SOLUTIONS - DMX NETWORKING AND ADVANCED CONTROL

DMX512 networks create dynamic lighting. Dynamic lighting often brings a lot of color and movement to spaces. The DMX512 lighting protocol was created to serve the needs of performance lighting, such as in theaters or music venues. A DMX network is designed to support large amounts of data continually moving between controllers and luminaires, and at very high speeds. Many non-performance lighting applications also rely on DMX networks, to support RGB LED luminaires featured in applications such as building façades, hotel lobbies and corporate reception areas.

A DMX network always includes a controller and luminaires that are compatible with the DMX protocol. As well, DMX lighting systems must include network devices that route the DMX data to different locations between the controllers and luminaires.

Pathway Connectivity provides these network devices, creating robust and secure network backbones. Pathway devices create bridges between Ethernet and DMX, and DMX and other kinds of lighting control protocols, such as RDM, nLight® or 0-10v.

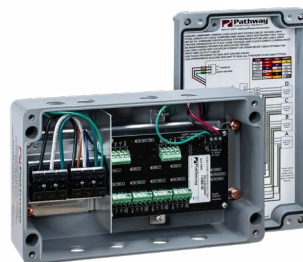
DMX-RDM Repeater with Power in IP65 Enclosure

Model

PWREP IP65 P4 DMX-RDM Repeater with TERM RDM Power in IP65 Enclosure

Refer to [PWREP IP65 spec sheet](#) for additional detail.

Integrates DMX signal & 120-277 line voltage onto a single cable. Exterior rated, up to 4 output feeds, Silver Textured Finish.



- A** DMX controller providing one universe of DMX-512 control. To supply a complete system RDM set-up and playback control solution, use:

Easy!

- Three versions available from entry-level to show creation using computer software
- Full color LCD touchscreen
- Recall colors, shows, and effects with one touch

Fresco

- Manage multiple light sources in multiple lighting zones, all from one controller
- On screen lighting design and set-up, no computer required or Ethernet connection for remote configuration and advanced control
- All device settings are stored on-board in non-volatile memory

- B** Belden 9829 cable is the preferred communication/data cable used to carry the DMX signal to and from the PWREP IP65. The total length of this cable must not exceed 1000 feet from the DMX controller to the PWREP IP65. No luminaires should be installed between DMX Controller and any PWREP IP65.

- C** PWREP IP65 (DMX-RDM Repeater with Power in IP65 Enclosure) is used to bundle DMX to line voltage and deliver them to the luminaire. This box provides necessary isolation between the DMX control and line voltage and is required for all HLF501 installations. The PWREP IP65 also serves as a 4-channel splitter enabling up to 128 fixtures to be controlled from a single PWREP IP65. Refer to PWREP IP65 Installation Sheet for dimensions and mounting details.

- D** 120V-277V input to PWREP IP65. Metallic conduit and standard fittings are compatible as are multi-conductor cords provided they are appropriate to the mounting location.

- E** Feed cable connects junction box with first fixture in a run. 14 ga. conductors carry power, shielded 18 ga. conductors carry data. Input end is stripped for connection to the Junction or PWREP IP65, output end includes a male or female plug for fixture connection. Also included with each feed cable is a termination/sealing cap for the end of each run. Contact factory for availability of custom feed cable lengths.

- F** A maximum of 32 luminaires can be connected to a single output channel of the PWREP IP65. The maximum length of cord and luminaire run combined is 1000 feet per DMX/RDM specification.

- G** Data can be run to junction box locations in conduits. Use Belden 9829 for data.

- H** To ensure data integrity, a termination/sealing cap with 120 Ohm resistor is required at the last luminaire in each run. See installation instructions.

- I** Power can be run to junction box locations in conduits. Use copper wire per local code for power.

Easy! Controller



Fresco Control System



ACCESSORY OPTIONS

Fresco Control System

Series	Model	Options	Finish
FCS Fresco Control System	7TSN 7" touchscreen with nLight port	(blank) nlight only X DMX/RDM control	DBL Black DWH White DNA Natural Aluminum



Refer to [FRESKO](#) spec sheet for additional details and options

Easy!™ LED Show Controller with LCD touchscreen (integral power supply)

Series	Voltage	Finish
EZSOLO Easy! Solo	MVOLT 120V-277V VAC, 50/60 Hz	BK Black
EZTOUCH Easy! Touch		WH White
EZPRO Easy! Pro		



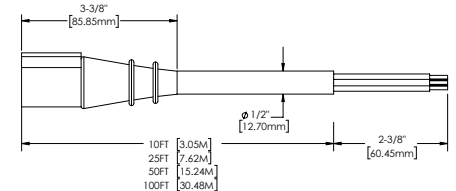
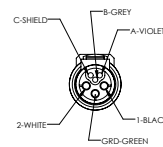
Refer to [EASYL](#) spec sheet for additional details and options

Feed Cable, Right Feed (Female Plug), EXTERIOR (Linear)

***Minimum of one feed cable, left or right, required per installation**

Model	Description
FCCSL100D	100FT Feed Cable Wet Location with DMX Plug
FCCSL10D	10FT Feed Cable Wet Location with DMX Plug
FCCSL25D	25FT Feed Cable Wet Location DMX Plug
FCCSL50D	50FT Feed Cable Wet Location DMX Plug
NOFCL	No Power Feed Cable

Carries DMX signal and 120-277 line voltage power to right end of first fixture in run.
Supplied with termination/sealing cap.
Use one feed cable per run only.

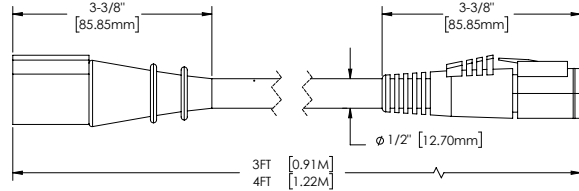


ACCESSORY OPTIONS (CONTINUED)

Jumper Cable EXTERIOR (Linear) *Optional*

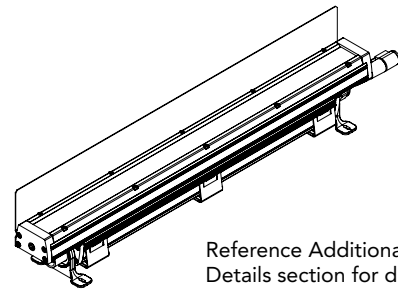
Model	
HJCLW3L	3FT Jumper Cable Exterior Location (Black)
HJCLW4L	4FT Jumper Cable Exterior Location (Black)

Standard fixture is supplied with 15" cable to connect from one fixture to the other in a continuous run application. If a larger gap between fixtures is required, an optional jumper cable can be ordered separately. Cable carries DMX or NON-DMX signal and 120- 277 line voltage power between two units in a run.



Glare Visor (Linear) *Optional*

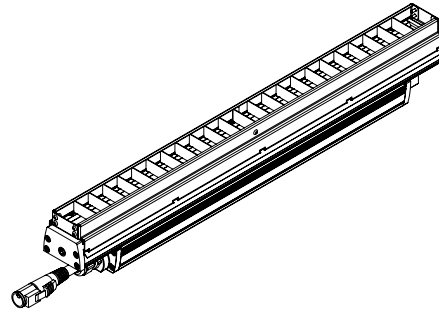
Model		Fixture Section	Finish	
HVSRS5	Glare Visor Linear Surface	U2	2FT Length Unit	
		U3	3FT Length Unit	
		U4	4FT Length Unit	
		Finish		BKT
			SIT	Silver Textured Paint
			WHT	White Textured Paint
			RALTB	RAL Paint Finish
			CF	Custom Painted Finish



Reference Additional Accessory Details section for dimensions

Baffle (Linear) *Optional*

Model		Fixture Section	
HBFL5	Baffle Linear Surface (Available in matte black finish only)	U2	2FT Length Unit
		U3	3FT Length Unit
		U4	4FT Length Unit

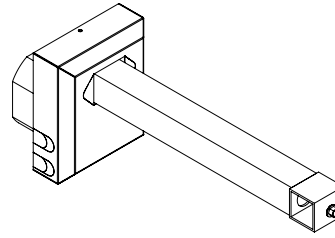


Reference Additional Accessory Details section for dimensions

ACCESSORY OPTIONS (CONTINUED)

Brackets *Optional*

Series		Finish	
CWM12	Cantilever Wall Mount 12" Projection	BKT	Black Textured Paint
		SIT	Silver Textured Paint
CWM18	Cantilever Wall Mount 18" Projection	WHT	White Textured Paint
CWM6	Cantilever Wall Mount 6" Projection	RALTB	RAL Paint Finish
		CF	Custom Painted Finish

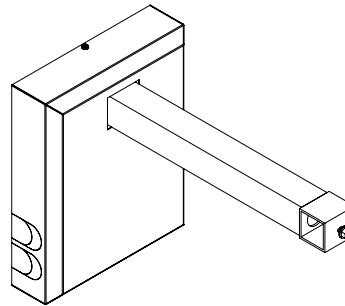


For use with recessed or remote junction box locations. Junction box (by others).

Reference Additional Accessory Details section for dimensions

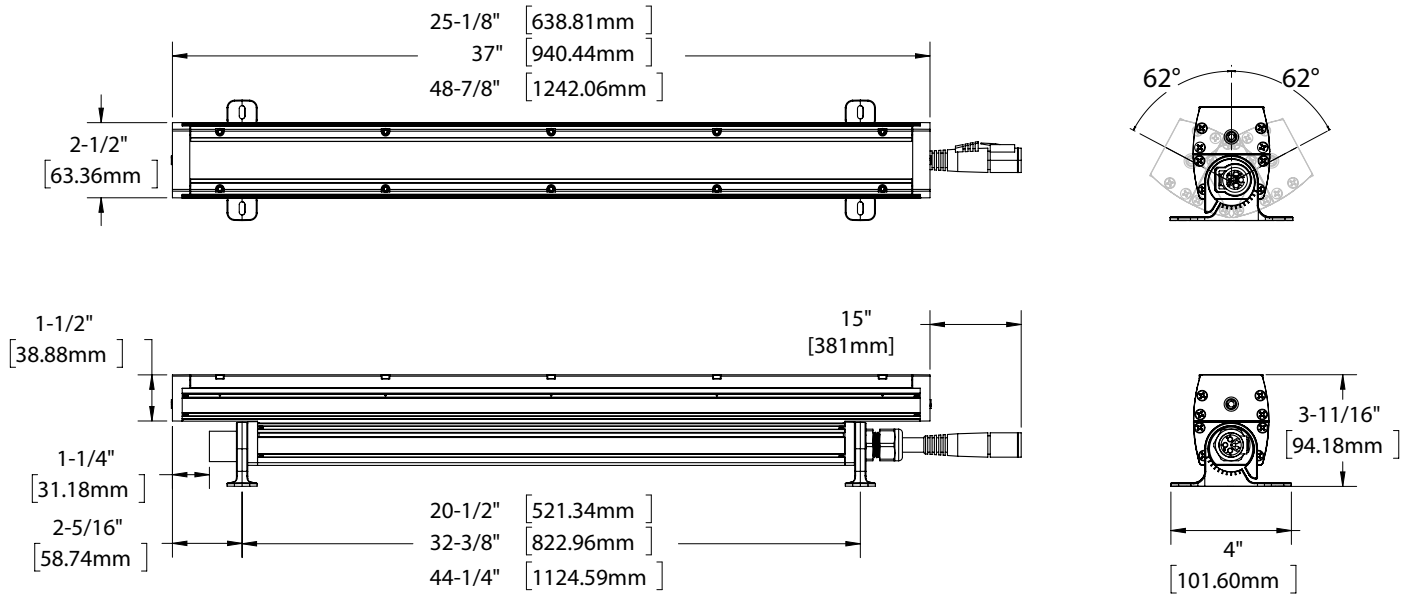
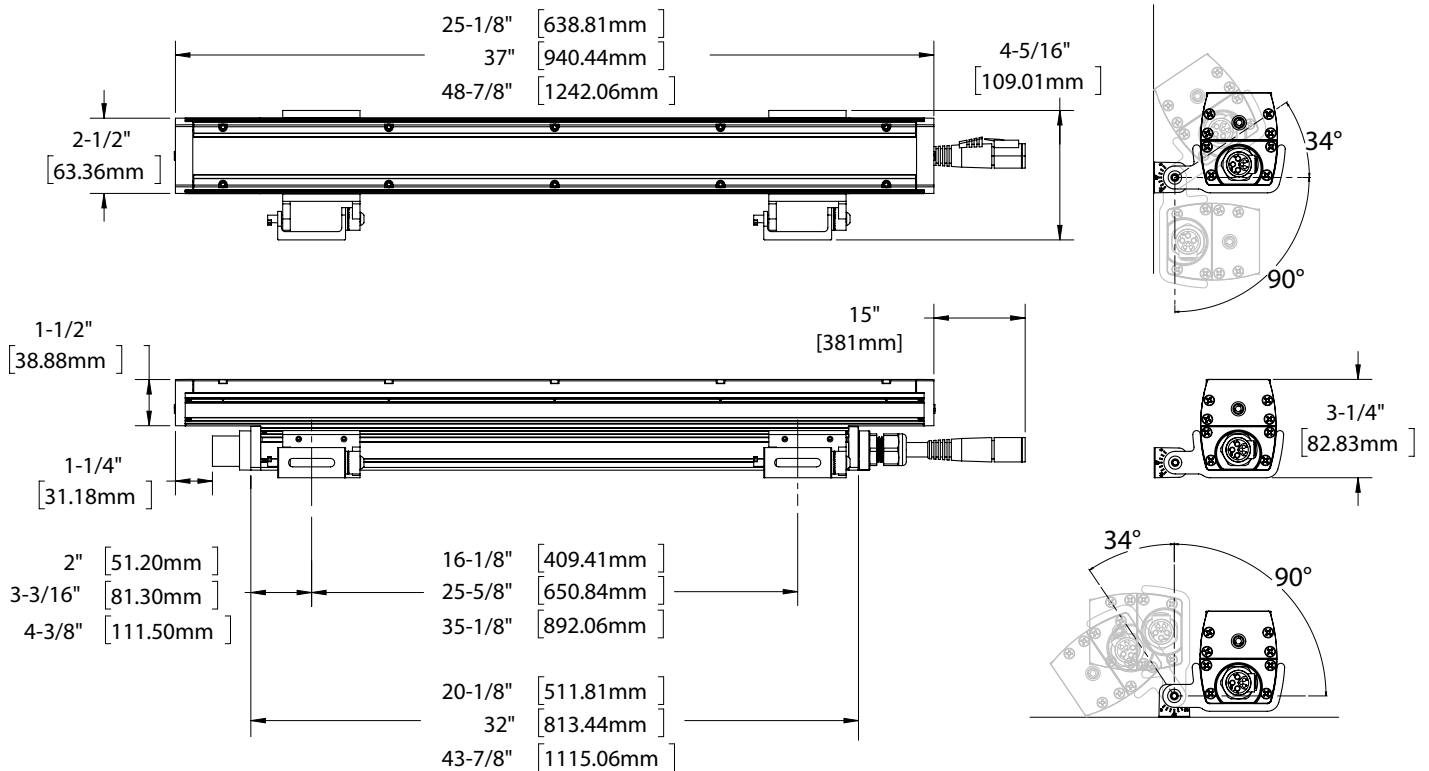
Brackets *Optional*

Series		Finish	
CWML12	Cantilever Wall Mount Large 12" projection	BKT	Black Textured Paint
		SIT	Silver Textured Paint
CWML18	Cantilever Wall Mount Large 18" projection	WHT	White Textured Paint
CWML6	Cantilever Wall Mount Large 6" projection	RALTB	RAL Paint Finish
		CF	Custom Painted Finish



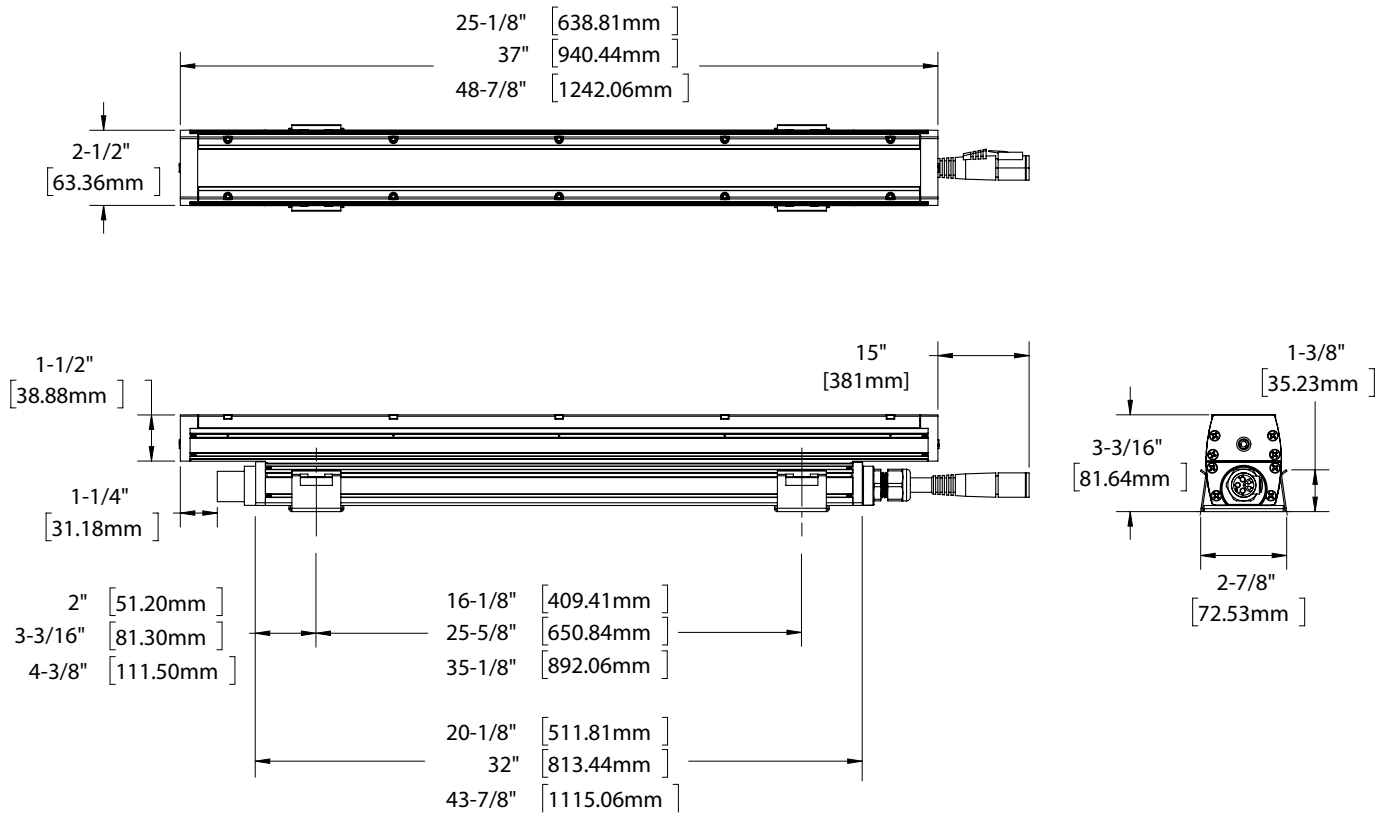
For use with surface mount junction box (by others) and surface mounted conduit (by others).

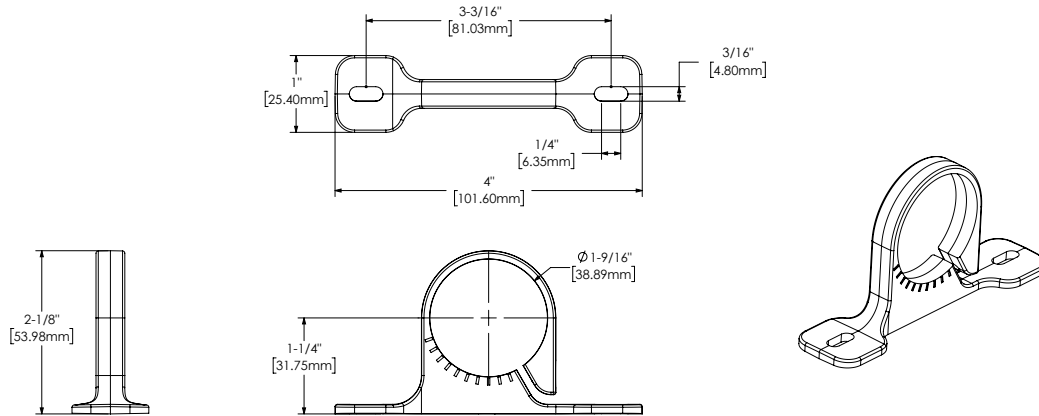
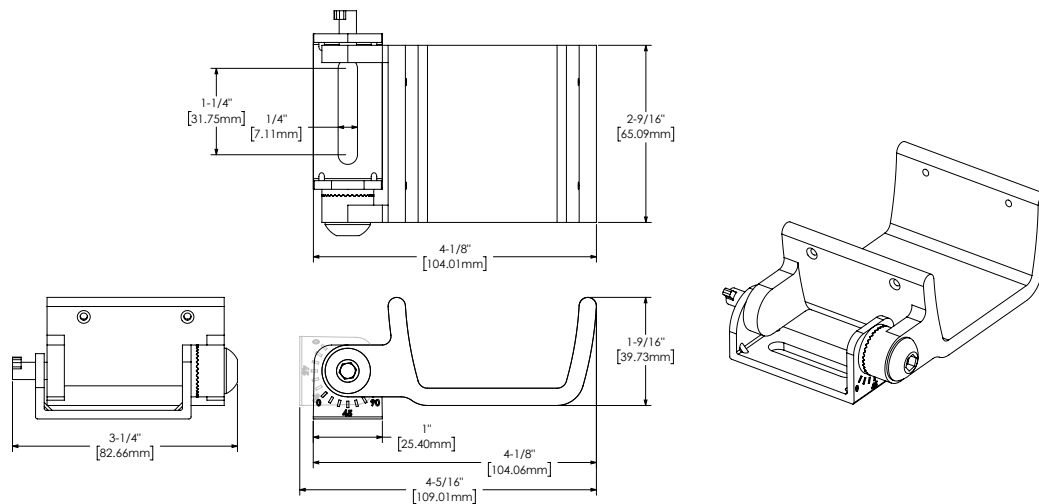
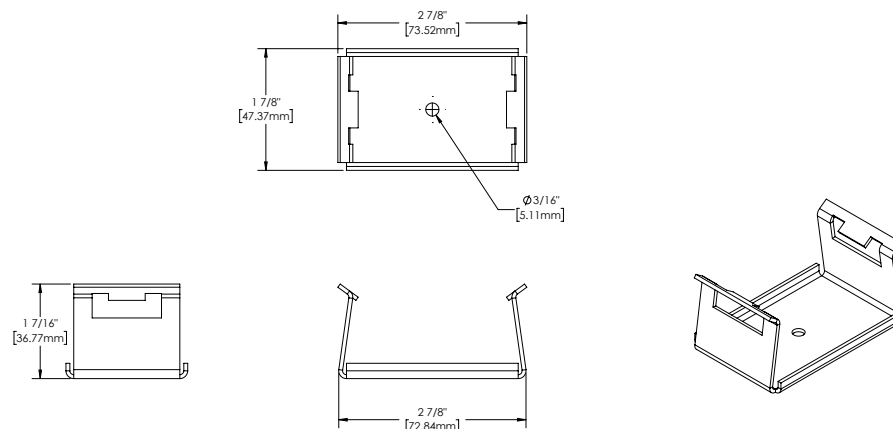
Reference Additional Accessory Details section for dimensions

DIMENSIONS & MOUNTING
H500ADJC1 - Adjustable Mount Center Axis

H500ADJH2 - Adjustable Mount Side Hinge


DIMENSIONS & MOUNTING

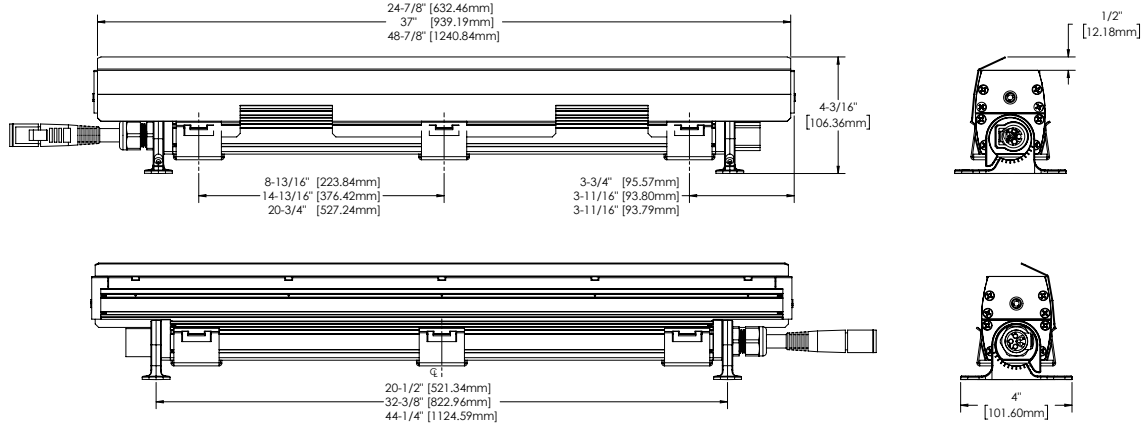
HM500FMC - Fixed Mount



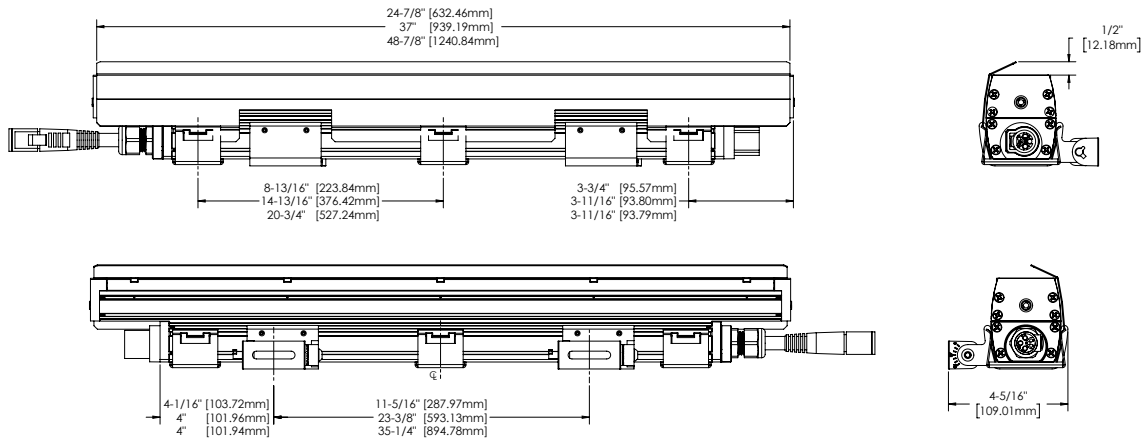
DIMENSIONS & MOUNTING (CONTINUED)
H500ADJC1 - Adjustable Mount Center Axis Detail

H500ADJH2 - Adjustable Mount Side Hinge Detail

H500FMC - Fixed Mount Detail


DIMENSIONS & MOUNTING
WWD Asymmetric Glare Visor with H500ADJC1 Mount

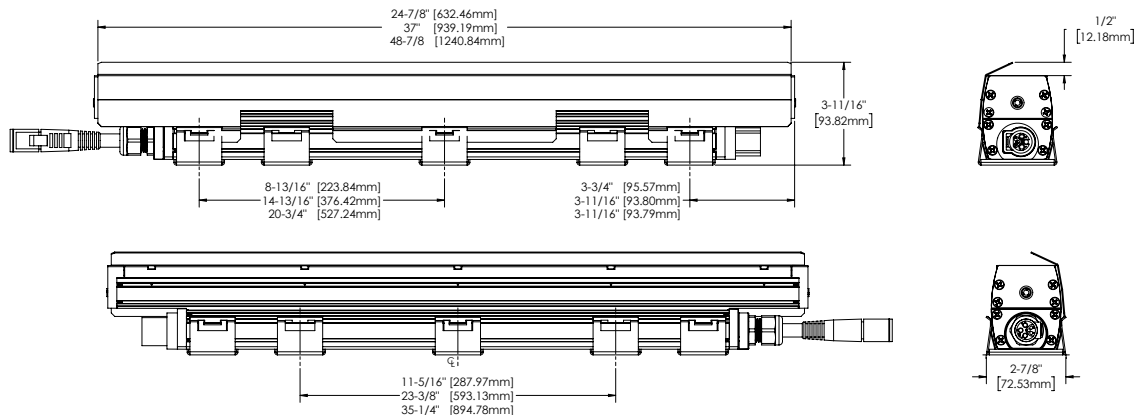
Automatically included when WWD distribution is ordered.


WWD Asymmetric Glare Visor with H500ADJH2 Mount

Automatically included when WWD distribution is ordered.

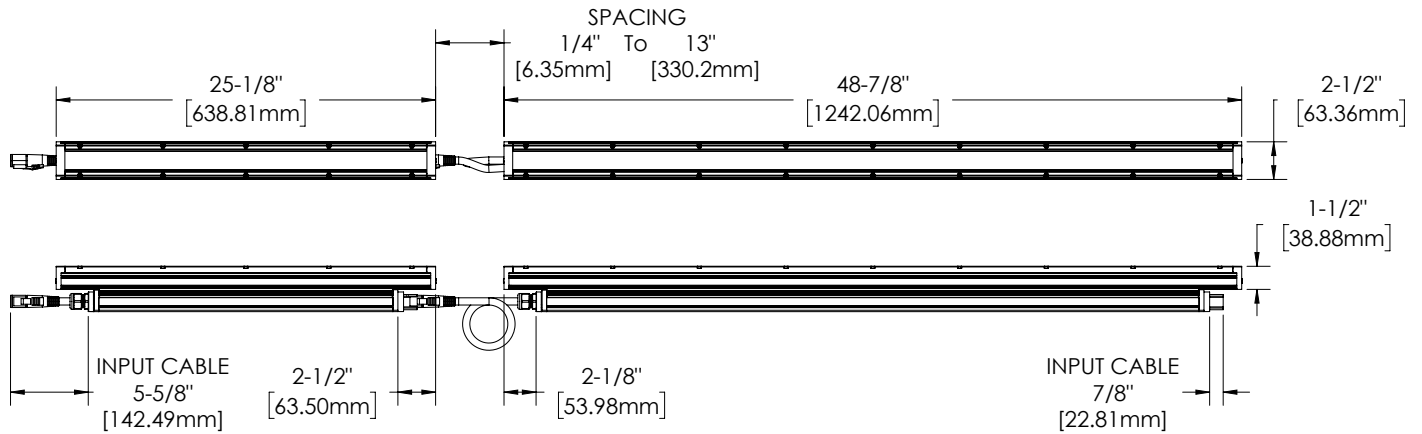

WWD Asymmetric Glare Visor with H500FMC Mount

Automatically included when WWD distribution is ordered.



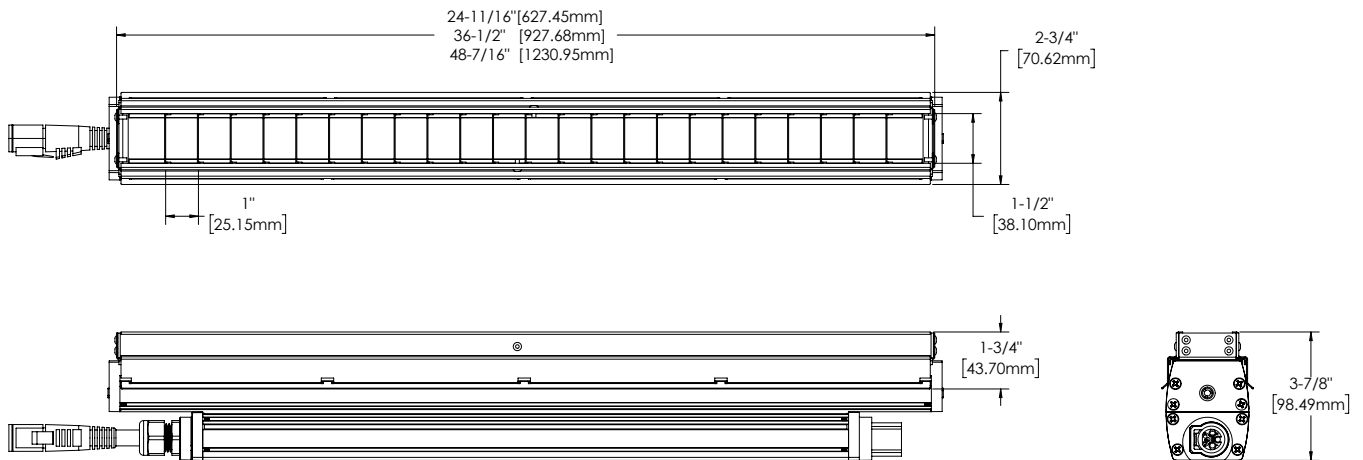
DIMENSIONS & MOUNTING (CONTINUED)

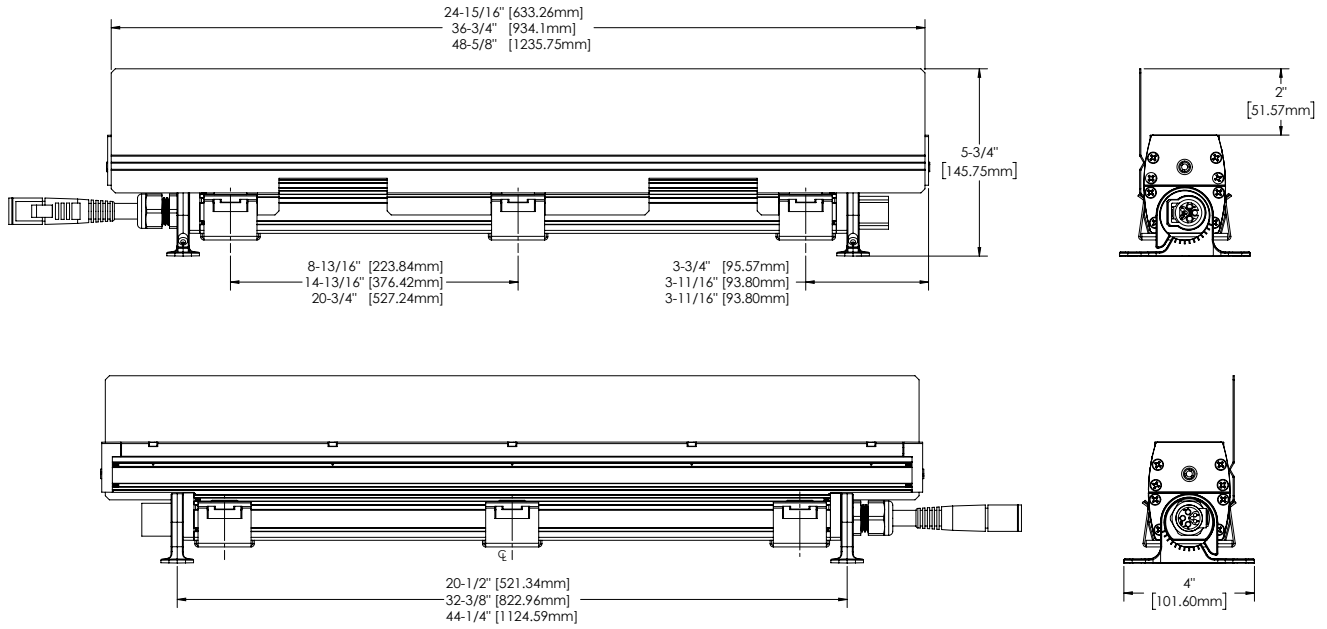
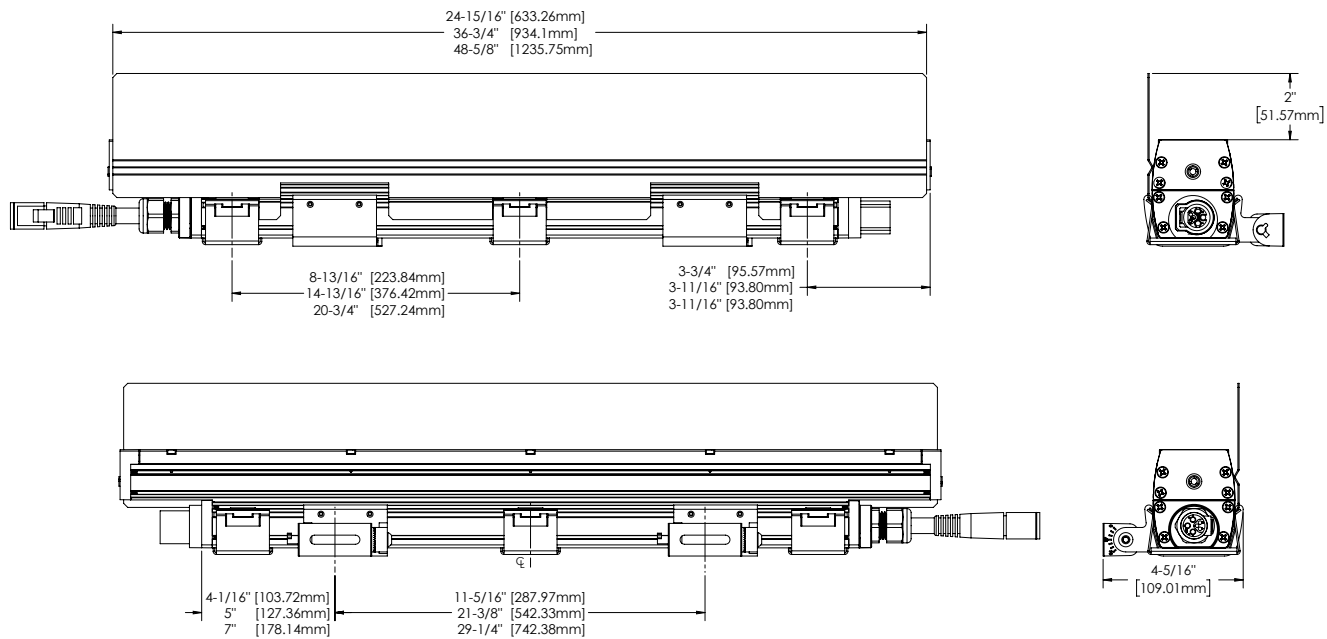
HLF501 Series Typical End-To-End Run Configuration



ADDITIONAL ACCESSORY DETAILS

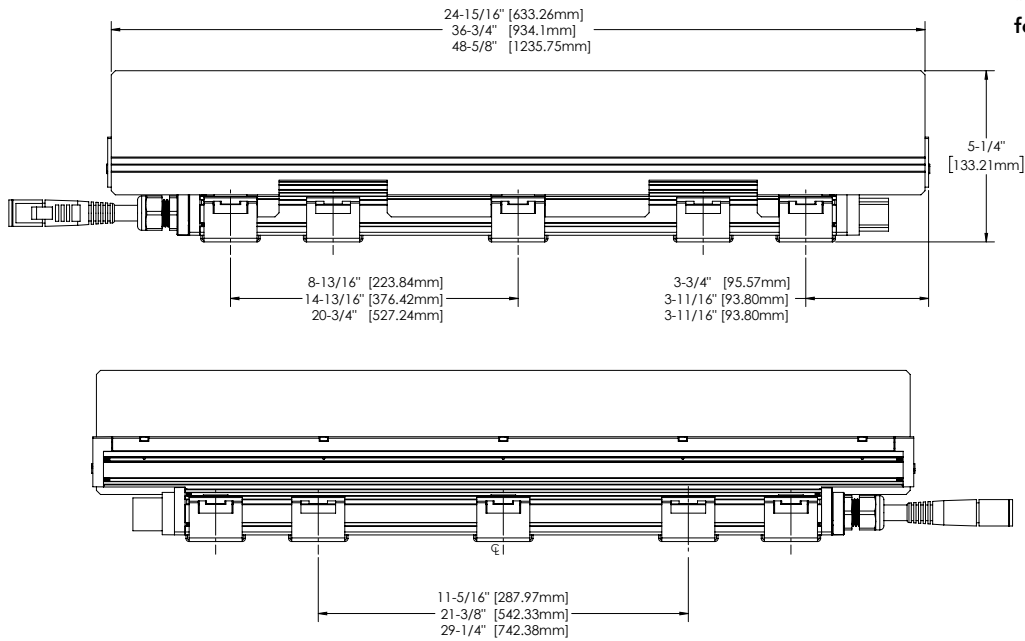
Baffle Linear Surface



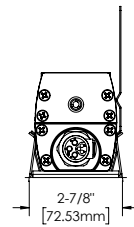
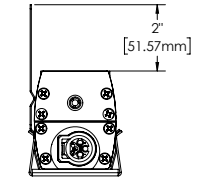
ADDITIONAL ACCESSORY DETAILS (CONTINUED)
Glare Visor with H500ADJC1 Mount

Glare Visor with H500ADJH2 Mount


ADDITIONAL ACCESSORY DETAILS (CONTINUED)

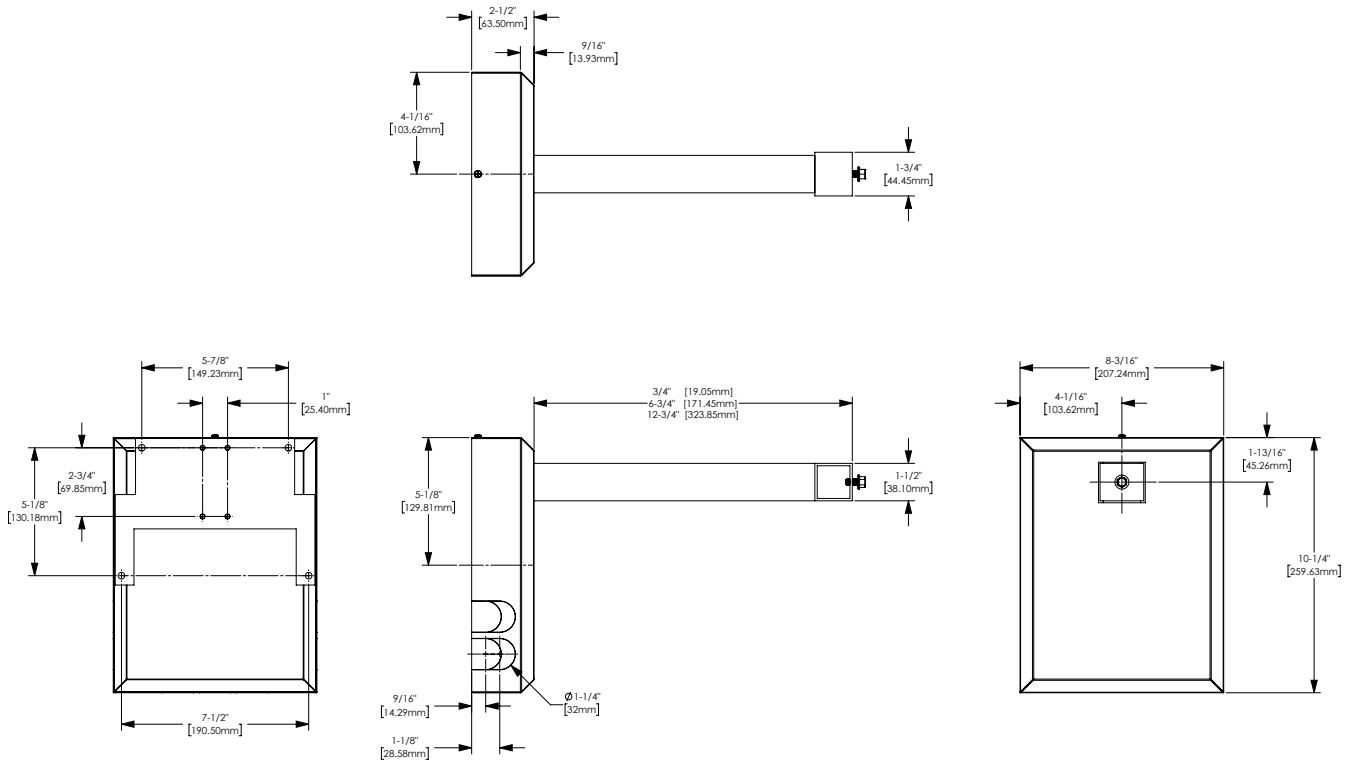
Glare Visor with H500FMC Mount



*The (3) visor clips can also be used for mounting fixture to surface.

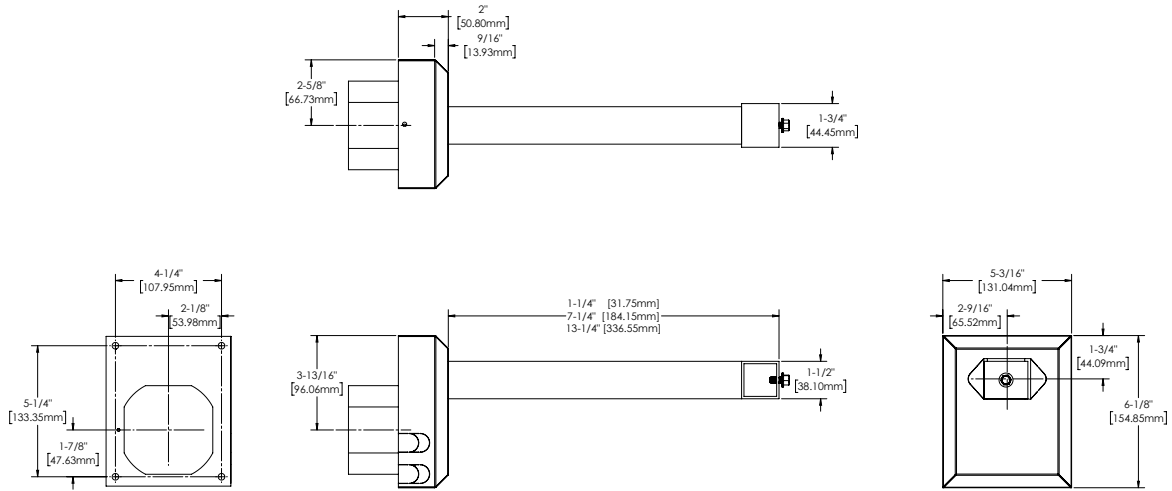


Cantilever Wall Mount Bracket Large Detail

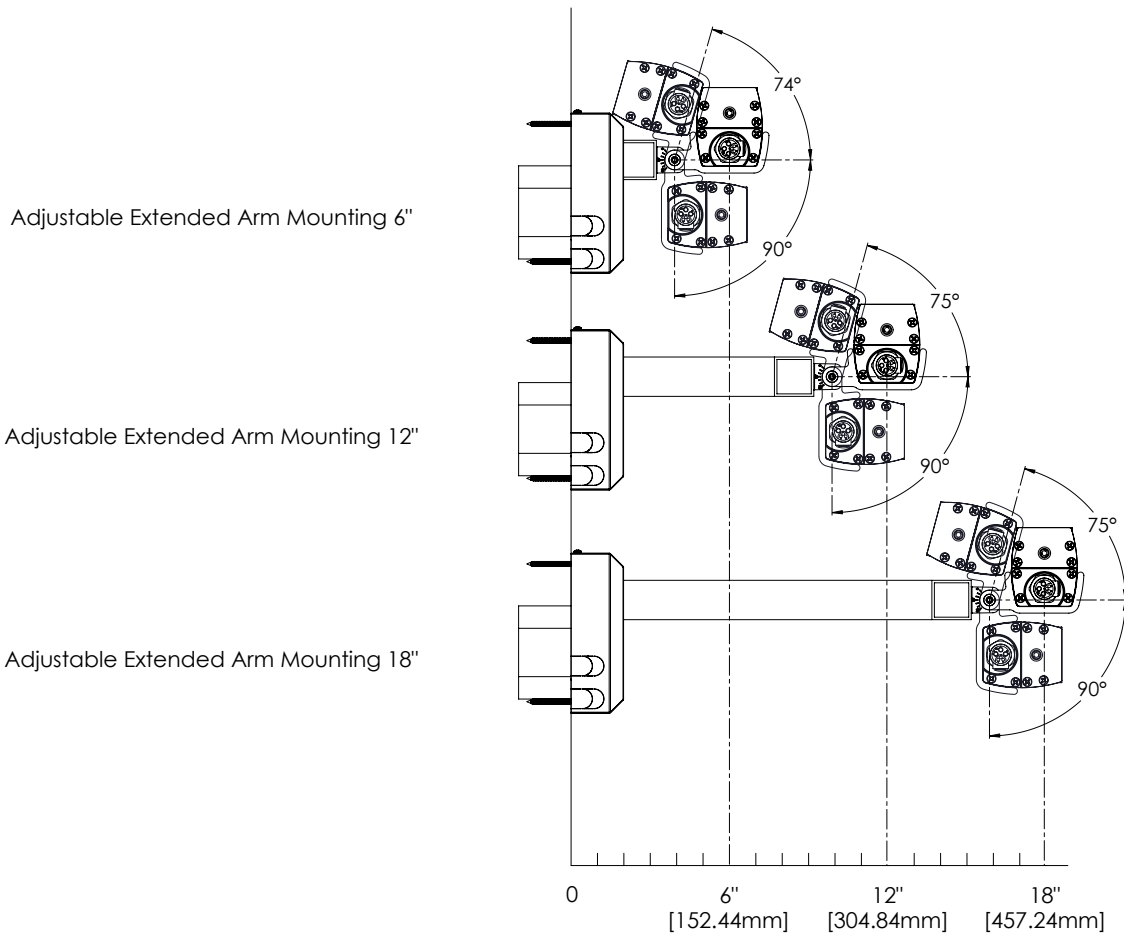


ADDITIONAL ACCESSORY DETAILS (CONTINUED)

Cantilever Wall Mount Bracket Detail

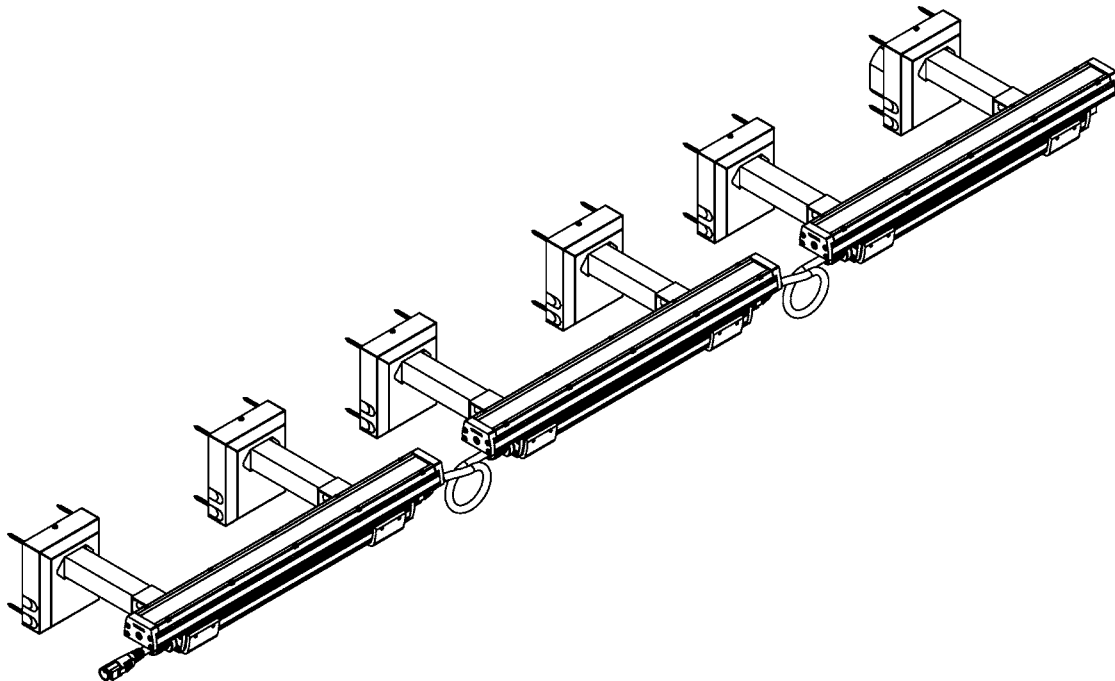
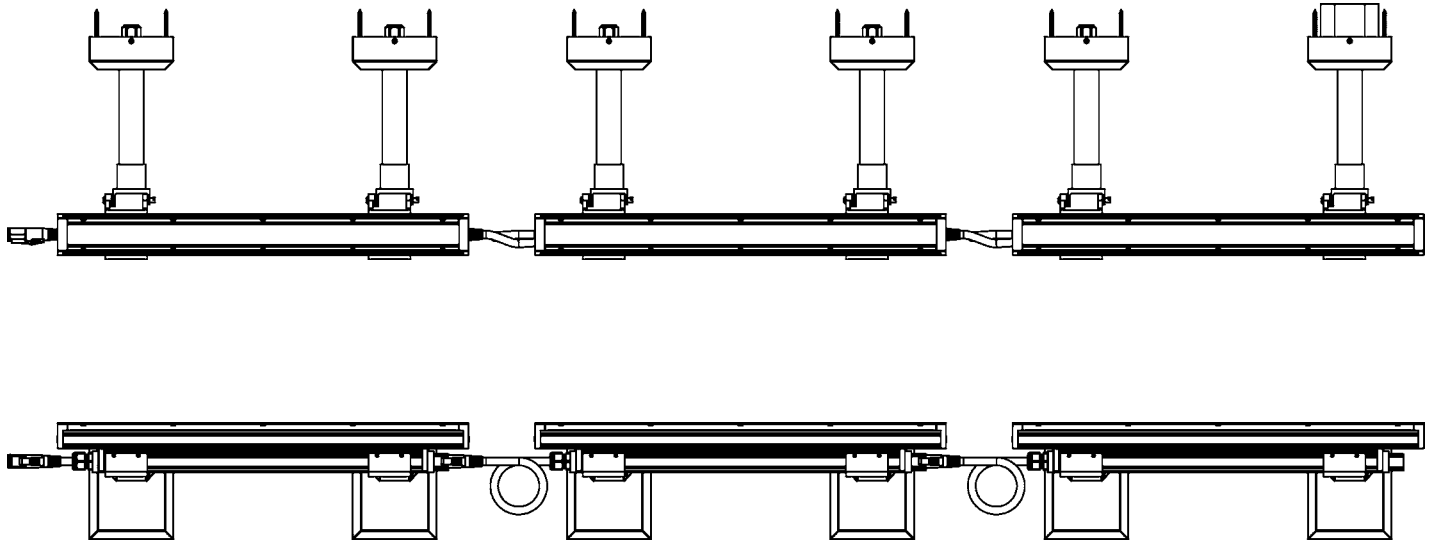


Cantilever Wall Mount Bracket Detail with 500ADJH2 and Fixture



ADDITIONAL ACCESSORY DETAILS (CONTINUED)

**HLF501 Series Typical End-To-End Run Configuration with Cantilever Wall Mount
(Showing 6-foot run of (3) 2-foot units with CWM12 wall mount accessory)**



SPECIFICATIONS & FEATURES

Voltage: 120 through 277v 50/60Hz

Distribution: 9° x 9°, 10° x 60°, 15° x 30°, 30° x 60°, 40° x 60°, 60° x 60°, Asymmetric Wall Wash

Size: 2.50 W x 3.00 H

Housing: Extruded aluminum one-piece construction with fasteners

Finish: Polyester powder coat painted finish. Black oxide fastener color with BKT finish and natural stainless steel fastener color with WHT & SIT finishes

Lens Material: Extruded acrylic

Lumen Maintenance: (9° x 9°, 10° x 60°): 60,000 hours L70 @ +120deg C
(15° x 30°, 30° x 60°, 40° x 60°, 60° x 60°, WWD): 120,000 hours L70@ +55deg C

LED Color Mix: 12 LEDs per 12 inches in a 1:1 ratio (1xRed, 1xGreen, 1xBlue, 1xWhite)

Color Wavelengths: RED (620-634nm), GREEN (525-537nm), BLUE (464-470nm), WHITE (4000K)

Control System: Easyl or Fresco DMX512 controller

Ambient Temperature Ranges: -40° to +45°C

Mounting: Side hinge, Center axis, and fixed mounting brackets available for installation flexibility and luminaire aiming. Suitable for outdoor wet location applications

Ingress Protection Rating: IP66 rated per IEC60598

Vibration: 3G vibration rated per ANSI C136.31

Government Procurement

BAA – Buy America(n) Act: Product qualifies as a domestic end product under the Buy American Act as implemented in the FAR and DFARS. Product also qualifies as manufactured in the United States under DOT Buy America regulations.

BABA – Build America Buy America: Product qualifies as produced in the United States under the definitions of the Build America, Buy America Act.

Please refer to www.acuitybrands.com/resources/buy-american for additional information.

Certification/Compliance: CSA Certified to meet U.S. and Canadian standards conforming to UL 1598 and CAN/CSA C22.2 No. 250.0

Weight: 24" - 7.5 lbs (3.40kg) / 36" - 11 lbs (4.98kg) / 48" - 13 lbs (5.90 kg)

Warranty: 5-year limited warranty. This is the only warranty provided and no other statements in this specification sheet create any warranty of any kind. All other express and implied warranties are disclaimed. Complete warranty terms located at: www.acuitybrands.com/support/warranty/terms-and-conditions

NOTE: Actual performance may differ as a result of end-user environment and application.

All values are design or typical values, measured under laboratory conditions at 25 °C.

Specifications subject to change without notice.