

| |
|----------------|
| Catalog Number |
| Notes |
| Type |

FEATURES & SPECIFICATIONS

CONSTRUCTION

Designed to mount the CPANL fixture directly to a ceiling.

Two bracket sizes accommodate three CPANL fixture sizes.

Mounts to a variety of hard ceilings.

WARRANTY — 1-year limited warranty. Complete warranty terms located at:

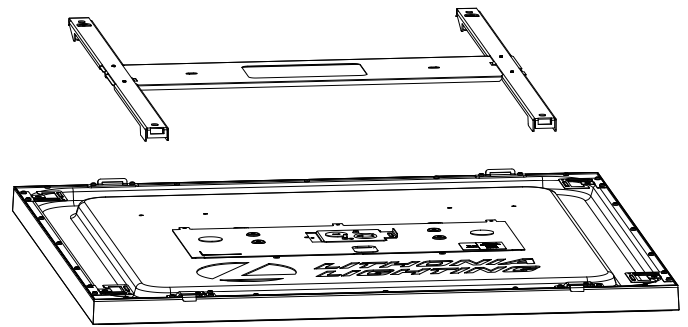
www.acuitybrands.com/support/warranty/terms-and-conditions

Note: Actual performance may differ as a result of end-user environment and application.

Specifications subject to change without notice.

Direct Ceiling Mount Kit

DCMK Direct Ceiling Mount Kits

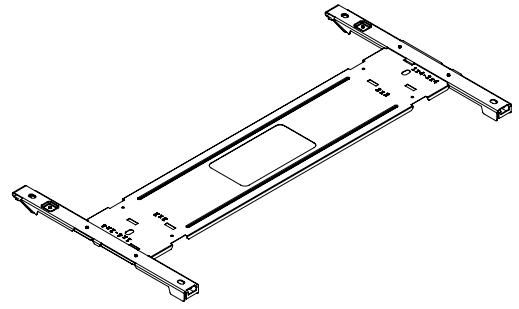
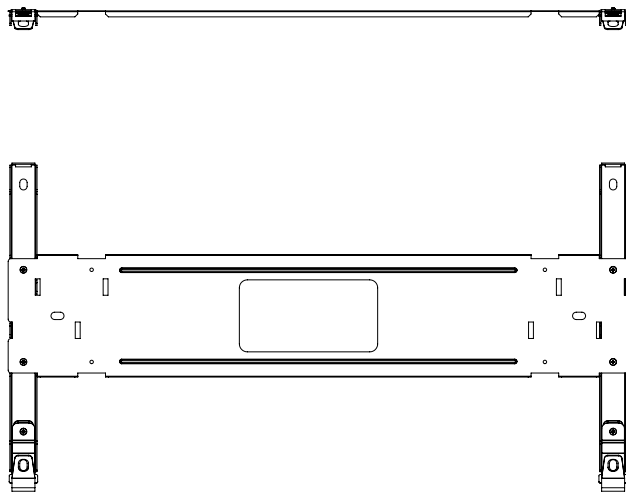


ORDERING INFORMATION

| Kit | Description | UPC | Pallet Qty |
|----------|--|--------------|------------|
| DCMK 14 | 1x4 Direct Ceiling Mount Kit, For use with CPANL1x4 Fixture | 194995031726 | 406 |
| DCMK 224 | 2x2 and 2x4 Direct Ceiling Mount Kit, For use with CPANL 2x2 and 2x4 Fixture | 194995031719 | 406 |

DCMK Direct Ceiling Mount Kits

DCMK 14



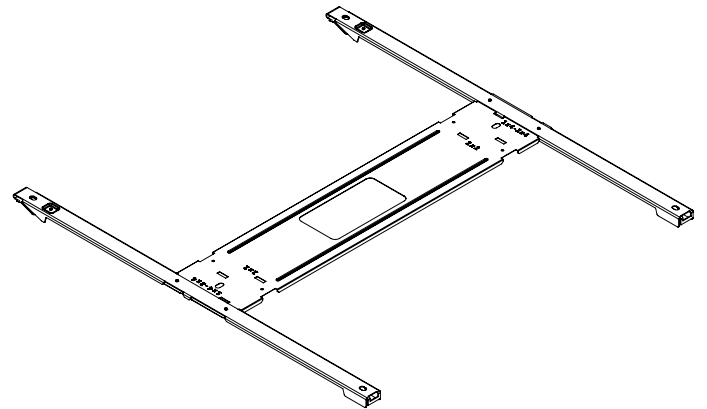
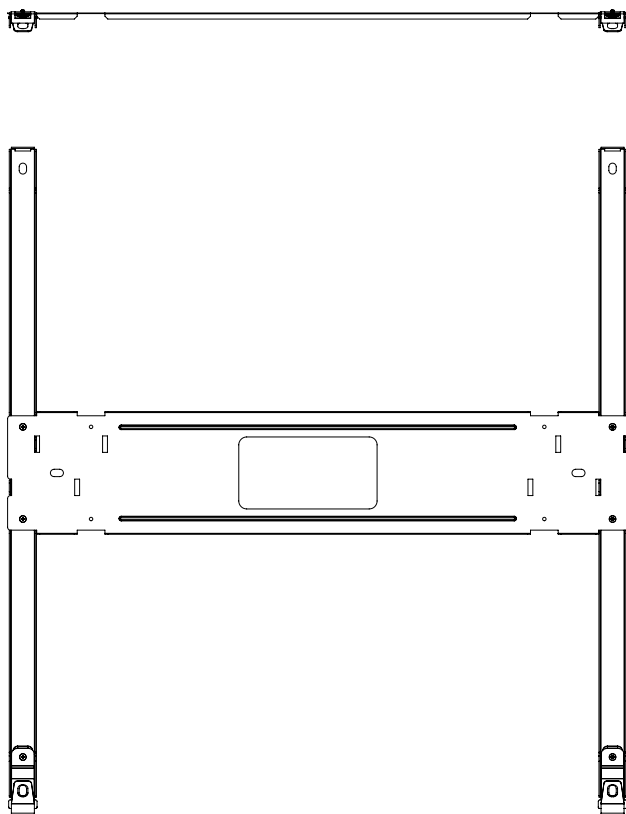
Actual DCMK 14 Dimensions and Weight:

| | |
|------------|-------------|
| Length | 21.5 (54.4) |
| Width | 11.375 (29) |
| Height | .68 (1.8) |
| Kit Weight | 1.0 lbs |

DCMK 14 Dimensions and Weight in Carton:

| | |
|--------|--------------|
| Length | 22.5 (57.15) |
| Width | 4.75 (12.1) |
| Height | 1.5 (3.8) |
| Weight | 1.53 lbs |

DCMK 224



Actual DCMK 224 Dimensions and Weight:

| | |
|------------|-------------|
| Length | 23.25 (59) |
| Width | 21.5 (54.4) |
| Height | .68 (1.8) |
| Kit Weight | 1.4 lbs |

DCMK 224 Dimensions and Weight in Carton:

| | |
|--------|-------------|
| Length | 24.5 (62.2) |
| Width | 4.75 (12.1) |
| Height | 1.5 (3.81) |
| Weight | 1.82lbs |