



# TWPX1 LED

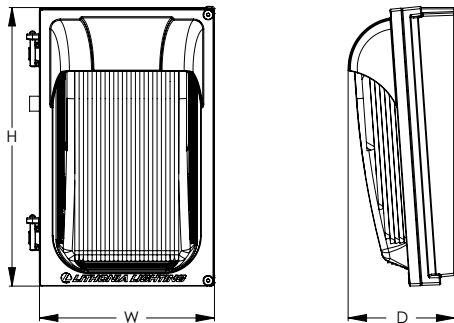
## Vandal Resistant LED Wall Luminaire

Catalog Number
Notes
Type

Hit the Tab key or mouse over the page to see all interactive elements.

### Specifications

**Depth:** 5.0"  
**Height:** 12.0"  
**Width:** 7.5"  
**Weight:** 7 lbs  
 (without options)



### Introduction

The TWPX LED wall pack family features premium polycarbonate lenses that are designed to make these luminaires tough enough to take real world abuse in applications such as parks and recreation areas, locker rooms, entry ways or any public space that has high-traffic and low mounting height. The TWPX1 LED is energy efficient saving up to 83% in energy costs when replacing a metal halide luminaire.

The Adjustable Light Output (ALO) feature allows the contractor to set the light output during installation, to a level perfectly suited for the job site. The TWPX1 LED ALO luminaires can replace anything from a CFL to 100W metal halide luminaire.

### TWPX LED Family Overview

Luminaire	Voltage	Photocell	Lumens (4000K)			
			P1	P2	P3	P4
TWPX1 LED	MVOLT (120-277V)	YES	1,450	2,700	--	--
TWPX2 LED	MVOLT (120-277V), 347V, 480V	YES	3,150	4,250	5,050	6,600
TWPX3 LED	MVOLT (120-277V), 347V	YES	8,400	10,150	12,300	13,200

### Ordering Information

**EXAMPLE: TWPX1 LED P2 40K MVOLT PE DDBXD**

Series	Package	Color Temperature (80 CRI)	Voltage	Options	Finish	
TWPX1 LED	P1 1,450 lumens	30K 3000K	MVOLT (120-277V)	PE Photocell, Button Type	DDBXD Dark bronze	DDBTXD Textured dark bronze
	P2 2,700 lumens	40K 4000K			DBLXD Black	DBLBXD Textured black
	ALO 550 - 2,700 lumens	50K 5000K			DWHXD White	DWHGXD Textured White
					DNAXD Natural aluminum	DNATXD Textured natural aluminum

### Accessories

\*543982 RK1 PEB SHLD U Button style photocell shield

### FEATURES & SPECIFICATIONS

#### INTENDED USE

The TWPX1 LED is an energy-efficient, low maintenance LED wall pack for replacing up to a 70W HPS or 100W MH fixture, providing the same footprint on the wall. TWPX1 is ideal for lower mounting height applications such as above the door, storage units, and strip malls.

#### CONSTRUCTION

Two-piece die-cast aluminum housing to optimize thermal management through conductive and convective cooling. The door is hinged on the side and can be removed for easy installation. The housing is completely sealed against moisture and environmental contaminants (IP65) and is suitable for the hose-down applications.

#### FINISH

Exterior painted parts are protected by a zinc-infused Super Durable TGIC thermoset powder coat finish that provides superior resistance to corrosion and weathering. A tightly controlled multi-stage process ensures a 3 mils thickness for a finish that can withstand extreme climate changes without cracking or peeling.

#### OPTICS

The advanced optical design uses both reflector and refractor technologies that work together to create superior illumination and further throw, getting the light where it is needed. The UV stabilized polycarbonate refractor is specifically designed to maximize light extraction and create a fully luminous luminaire for a better nighttime look.

#### ELECTRICAL

Light engine consists of high-efficacy LEDs mounted to housing to maximize heat dissipation and promote long-life (up to L81/100,000 hours at 25°C). The electronic driver has a power factor of >90%, THD <20%. Luminaire is 0-10V dimmable.

#### INSTALLATION

Designed for wall mounting above four feet from the ground. Housing is configured for mounting directly over a standard junction box (by others) or for surface wiring via the 1/2" threaded conduit entry on the top.

#### LISTINGS

CSA certified to U.S. and Canadian standards. IP65 rated for outdoor applications. Rated for -40°C minimum ambient.

#### WARRANTY

5-year limited warranty. This is the only warranty provided and no other statements in this specification sheet create any warranty of any kind. All other express and implied warranties are disclaimed. Complete warranty terms located at: [www.acuitybrands.com/support/warranty/terms-and-conditions](http://www.acuitybrands.com/support/warranty/terms-and-conditions)

**Note:** Actual performance may differ as a result of end-user environment and application. All values are design or typical values, measured under laboratory conditions at 25 °C. Specifications subject to change without notice.



COMMERCIAL OUTDOOR

One Lithonia Way • Conyers, Georgia 30012 • Phone: 1-800-705-SERV (7378) • [www.lithonia.com](http://www.lithonia.com)  
 © 2020-2022 Acuity Brands Lighting, Inc. All rights reserved.

TWPX1 LED  
 Rev. 11/30/22

## Performance Data

### Lumen Output

Lumen values are from photometric tests performed in accordance with IESNA LM-79-08. Data is considered to be representative of the configurations shown, within the tolerances allowed by Lighting Facts. Contact factory for performance data on any configurations not shown here.

Performance Package	System Watts	30K (3000K, 80 CRI)		40K (4000K, 80 CRI)		50K (5000K, 80 CRI)	
		Lumens	LPW	Lumens	LPW	Lumens	LPW
P1	11W	1,400	127	1,450	132	1,450	132
P2/ALO	22W	2,550	116	2,700	123	2,700	123

### Electrical Load

Performance Package	System Watts	Current (A)			
		120V	208V	240V	277V
P1	10W	0.095	0.055	0.047	0.041
P2/ALO	15W	0.187	0.108	0.094	0.081

### Adjustable Lumen Output (ALO) Table

Setting	System Watts	Lumen Output	Replaces Metal Halide
8*	22W	2,700	100W
7	21W	2,600	
6	17W	2,250	
5	15W	1,950	70W
4	12W	1,600	
3	9W	1,250	CFL
2	6W	850	
1	4W	550	

\* Factory default setting is #8

### Lumen Ambient Temperature (LAT) Multipliers

Use these factors to determine relative lumen output for average ambient temperatures from 0-40°C (32-104°F).

Ambient		Lumen Multiplier
0°C	32°F	1.05
10°C	50°F	1.03
20°C	68°F	1.01
25°C	77°F	1.00
30°C	86°F	0.99
40°C	104°F	0.97

### Projected LED Lumen Maintenance

Data references the extrapolated performance projections for the platforms noted in a 25°C ambient, based on 10,000 hours of LED testing (tested per IESNA LM-80-08 and projected per IESNA TM-21-11). To calculate LLF, use the lumen maintenance factor that corresponds to the desired number of operating hours below. For other lumen maintenance values, contact factory.

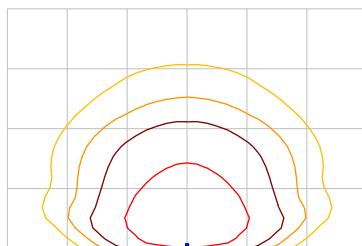
Operating Hours	0	25,000	50,000	60,000	100,000
Lumen Maintenance Factor	1.0	>0.95	>0.90	>0.88	>0.81

## Photometric Diagrams

To see complete photometric reports or download .ies files for this product, visit the Lithonia Lighting TWPX LED homepage. Tested in accordance with IESNA LM-79 and LM-80 standards

#### LEGEND

<span style="color: yellow;">■</span>	0.25 fc
<span style="color: orange;">■</span>	0.5 fc
<span style="color: red;">■</span>	1.0 fc
<span style="color: darkred;">■</span>	3.0 fc



TWPX1 LED ALO

MH = 10ft  
Grid = 10ft x 10ft