

# VISION VCM8

Vandal Resistant

VCM8 Series LED



CORNER MOUNT  
LED

Fixture Type	Date
Job Name	Approved By
Catalog Number	

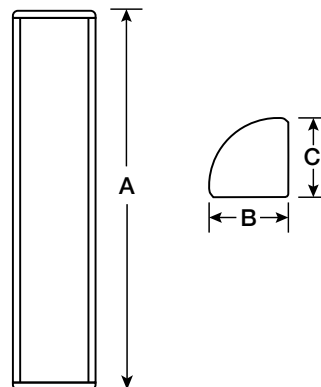
## SPECIFICATIONS



<b>Description</b>	The Vision VCM8 series features an all aluminum, ligature resistant construction which allows it to be used in nearly any environmental condition. Designed in conjunction with an ophthalmologist, the polycarbonate lens provides complete control of glare and LED image while maintaining the high efficiency of clear optical material. Natatorium finish is standard for all versions of this fixture.
<b>Housing</b>	Marine grade heat treated extruded aluminum. Finished with Super Durable Corrosion Resistant powder coat (SDCR) that meets AAMA 2605 high performance specification, providing superior UV durability and corrosion resistance. Salt spray test: 4,000 hours.
<b>Lens</b>	Extruded UV stabilized opal polycarbonate with integral prisms. Maximum wall thickness 0.160". Secured to housing with stainless steel TORX® head screws.
<b>End Caps</b>	Die cast marine grade aluminum with conduit knockouts that are visible from interior of end cap.
<b>Drivers</b>	Dimming to 1%, 10% or Programable Lumen Output driver options. Non-Dimming Driver is also available.
<b>LED</b>	2700K, 3000K, 3500K, 4000K, or 5000K and 82 CRI wired in parallel-series. L <sub>70</sub> projected life of over 130,000 hours at 50°C.
<b>UL Listing</b>	U.L., C.UL. Damp Location Listing standard. Optional IP65. IK10 standard. 3G vibration tested & compliant per ANSI C136.31 standard.
<b>Government Procurement</b>	<b>BAA – Buy America(n) Act:</b> Product qualifies as a domestic end product under the Buy American Act as implemented in the FAR and DFARS. Product also qualifies as manufactured in the United States under DOT Buy America regulations. <b>BABA – Build America Buy America:</b> Product qualifies as produced in the United States under the definitions of the Build America, Buy America Act. Please refer to <a href="http://www.acuitybrands.com/buy-american">www.acuitybrands.com/buy-american</a> for additional information.
<b>Warranty</b>	<b>Lifetime</b> warranty against vandalism. Luminaire LED will repair or replace any fixture damaged due to vandalism for the lifetime of the installation. <b>10-year</b> warranty on LED boards against operational defects. Tested in accordance with LM-80. This is the only warranty provided and no other statements in this specification sheet create any warranty of any kind. All other express and implied warranties are disclaimed.
<b>Note</b>	Actual performance may differ as a result of end-user environment and application. All values are design or typical values, measured under laboratory conditions at 25 °C. Specifications subject to change without notice.

## DIMENSIONAL DATA

	A	B	C
VCM8 2FT	25.3"	6.13"	6.13"
VCM8 3FT	35.6"	6.13"	6.13"
VCM8 4FT	47.4"	6.13"	6.13"



## ORDERING INFORMATION

Example: VCM8 4FT MIN1 40W 27K 120 CLP WHT

Series*	Size (Nominal)* <sup>1</sup>	Drivers*	Dual Driver (Optional)	Wattage (Nominal) <sup>1</sup>	Lumens (For PRD Driver Only)
VCM8 Vandal Resistant Corner Mount Luminaire	2FT 3FT <sup>2,3</sup> 4FT	MIN1 Dimming to 1% MIN10 <sup>4</sup> Dimming to 10% NODIM Non-Dimming Driver PRD Driver programmed to specific lumen output, Consult Factory  <i>PRD not available with Wattage. PRD standard 0-10V dimming to 1%</i>	2DRV <sup>4</sup> Two LED drivers for independent LED board operations	15W 50W 20W 70W 25W 100W 40W  <i>Required for all drivers except PRD driver</i>	500LM-11300LM - Lumens available in 100LM increments  <i>Lumens required if PRD driver chosen. Lumen output measured at 3500K. Output may vary depending on CCT.</i>

CCT*	Voltage*	Lens*	Finish*
27K 2700K	120 120 Volt	CLP Clear Prismatic	BLK Black
30K 3000K	277 277 Volt	OP Opal	BRZ Bronze
35K 3500K	347 347 Volt		WHT White
40K 4000K	MVOLT 120-277 Volt		GRY Gray
50K 5000K			SIL Silver
			CUST Custom Color, Consult Factory
			RALTBD Ral Paint finishes
			<i>RALTBD for pricing only. Replace with applicable RAL call out when ready to order. See the RAL BROCHURE for available options</i>

\*Required

## OPTIONS

Emergency <sup>4</sup>	
EMB310 <sup>5</sup> Self contained, 90 minute emergency battery pack. 0°C (32°F) to 55°C (131°F). 1200 lumens	EMB20R <sup>6,7</sup> Remote mounted micro inverter that will operate a 25W maximum load for 90 min. 0°C (32°F) to 45°C (113°F).
EMB310ST <sup>5</sup> Self-testing, self contained, 90 minute emergency battery pack. 0°C (32°F) to 55°C (131°F). Meets CA Title 20 Standards. 1000 lumens	EMB125R <sup>7</sup> Remote inverter that will operate a maximum 125W load for 90 min. 20°C (68°F) to 30°C (86°F)
EMB310T20 <sup>5</sup> Self contained, 90 minute emergency battery pack. 0°C (32°F) to 55°C (131°F). Meets CA Title 20 standards. 1200 lumens	EMB250R <sup>7</sup> Remote inverter that will operate a 250W maximum load for 90 min. 20°C (68°F) to 30°C (86°F)
	EMB375R <sup>7</sup> Remote inverter that will operate a 375W maximum load for 90 min. 20°C (68°F) to 30°C (86°F)

Pendant Type/Length	Environment	Fusing	Photocell	Sensors <sup>9</sup>
Rigid Stems RG (12" - 96") <i>Order in 12" increments up to 96".</i>	IP65 IP65 Rated	GLR <sup>8</sup> Fuse and Fuse Holder	PC <sup>8</sup> Photoelectric Switch	OCC Microwave occupancy sensor mounted behind the lens. On/Off operation only. OCC50 <sup>3,5,10</sup> Microwave occupancy sensor. 50% of LED's constantly on and 50% sensed on/off. OCCBT Bluetooth connected microwave occupancy sensor mounted behind the lens. All LED board sensed to dim to 50%, 40%, 30%, 20%, or 10%, field selectable low levels. OCCFA Microwave occupancy sensor mounted behind the lens. All LED board sensed to dim to 50%, 40%, 30%, 20%, or 10%, field selectable low levels. Factory standard preset of 50% dimming level and 20 minute time out

Hardware
PHSC Phillips Head instead of TORX <sup>®</sup> head

### Ordering Notes

- See Size and Wattage Chart
- Not available with EMB310 or EMB310T20 and OCC, OCC50, OCCBT or OCCFA
- Not available with 2DRV
- Not available with 347V
- Not available in 2FT
- Not available with Lumens over 2200 LM or Wattage over 25W
- Not available with MVOLT
- Not available with MVOLT or 347
- Not available with EMB20R, EMB125R, EMB250R, EMB375R
- Not available in 3FT

Accessories: Order as separate catalog number.
TXSD TORX <sup>®</sup> Screwdriver Bit
<i>Initial shipment includes one (1) TXSD per fixture</i>

## SIZE & WATTAGE CHART

Size	Wattage
2FT	15W   25W   50W
3FT	20W   40W
4FT	25W   50W   70W   100W

## SIZE & LUMEN CHART (FOR PRD)

Size	Lumen Range
2FT	500LM - 5500LM
3FT	700LM - 4300LM
4FT	1100LM - 11300LM

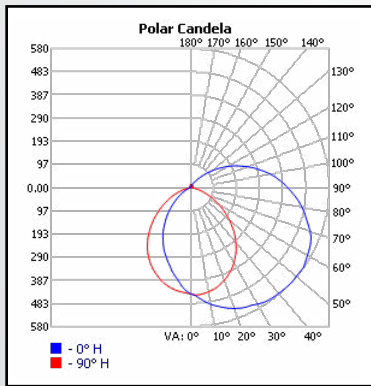
## PHOTOMETRIC DATA

### MODEL VCM8 2FT 15W 40K CLP

Delivered Lumens: 1,762.3 Lumens

Total Power: 15.0W

Testing was performed in accordance with IES LM-79-08



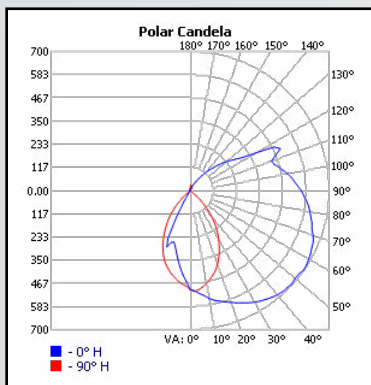
Zone	Lumens	% Lamps
0 - 30	342.4	19.4
0 - 40	560.4	31.8
0 - 60	1,000.3	56.8
60 - 90	478.3	27.1
0 - 90	1,478.6	83.9
90 - 180	283.7	16.1
0 - 180	1,762.3	100

### MODEL VCM8 4FT 25W 40K CLP

Delivered Lumens: 1,699.4 Lumens

Total Power: 28.0W

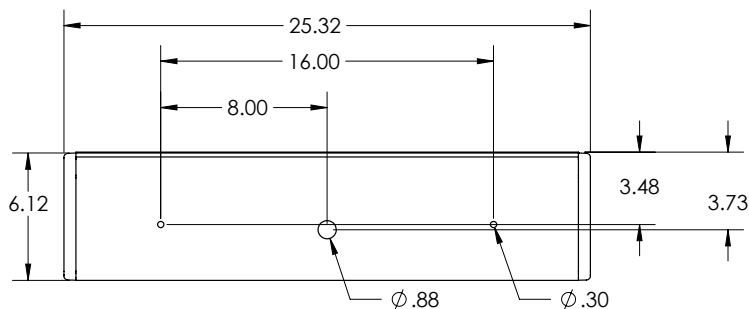
Testing was performed in accordance with IES LM-79-08



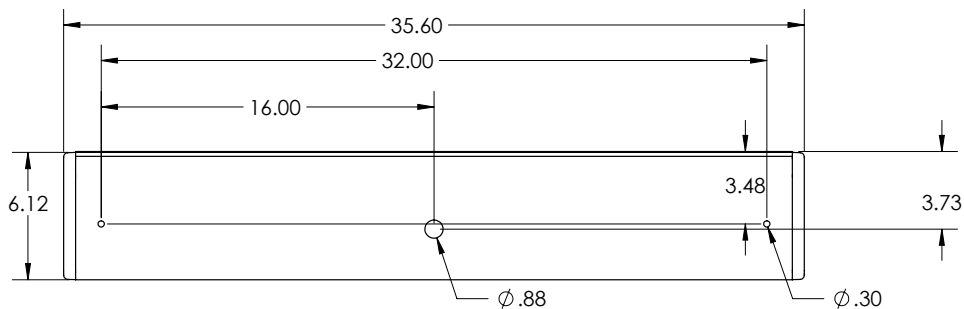
Zone	Lumens	% Lamps
0 - 30	340.3	20
0 - 40	518.5	30.5
0 - 60	856.5	50.4
60 - 90	444.5	26.2
0 - 90	1301	76.6
90 - 180	398.4	23.4
0 - 180	1699.4	100

## MOUNTING PLATE DETAILS

**VCM8 2FT**



**VCM8 3FT**



**VCM8 4FT**

