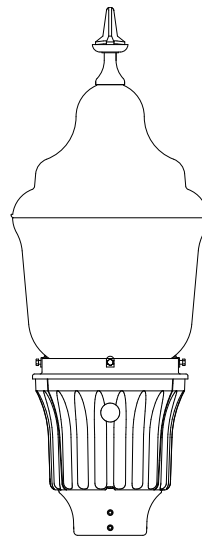
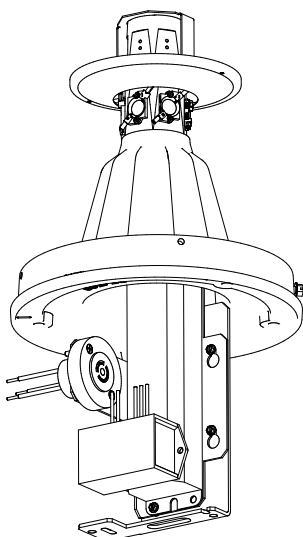


Catalog Number	
Notes	Type



Pop-off Door
Fluted Utility Housing

GVUEORIGRETRO3

Granville Classic LED3 Utility Retrofit Kit

For use with Granville Utility Electrical Housings



SPECIFICATIONS

General Description

The Granville Classic LED 3 RETRO Utility Series is an OEM certified retrofit system designed to be compatible with installed Granville luminaires. It allows you to keep your existing housing and refractive globe in order to save on material costs, simplify installation, improve sustainability and allow you to retain the original aesthetic appearance.

Available for original fluted Granville Utility housing with pop-off door.

- Optimized optical system delivers exceptional Lumens Per Watt (LPW)
- Choice of five lumen packages replacing 50W - 250W HPS and 70W- 175W MH sources
- Engineered and tested thermally for exceptional component life
- CSA Listed for use in Holophane Original designs

Legacy HID Series	Housing Style	Existing Glass Type
GVU	Fluted housing w/ pop-off door	2-piece, glued

Electrical Specifications

The driver shall meet the following requirements:

- Certified by UL or CSA for wet locations
- A programmable electronic driver with 0-10V
- LEDs shall have a minimum of 70 CRI and available in 2700K, 3000K, 4000K, and 5000K CCT
- The electrical system shall be designed to meet ANSI/IEEE C62.41.2 and shall offer a 10kV/5kA surge protection, fail off, as standard with an upgradable 20kV/10kA surge protection, fail off with indicator light, option
- Lumen output can be customized prior to manufacturing by way of FPDxx options
- The electrical components are mounted on an aluminum plate that is removeable with minimum use of tools. A matching five conductor plug connects to the receptacle in the luminaire housing to complete the wiring. For photoelectric operation, the electrical module is provided with an EEI-NEMA twist-lock photocell receptacle with select housings.

Control Options

The control options shall include, but not limited to, the following:

- Field adjustable output to adjust output to luminaire - AO
- Long life photocontrol, 20 years – PCLL, P34 and P48 with DTL
- 7 pin receptacles internally in housing (PR7) or inside glass mounted (PR7E - not for use with photocontrols & nodes must have photocontrol disabled)
- Fixture embedded nLight Air network interface for individual fixture control and dimming, NLTAR2

Finish

- Rigorous multi-stage pre-treating and painting process yields a finish that achieves a scribe creepage rating of 8 (per ASTM D1654) after over 5000 hours exposure to salt fog chamber (operated per ASTM B117) on standard and RAL finish options.
- RAL (RALxxxxSDCR) paint colors are Super Durable Corrosion Resistant, 80% gloss.

Certification and Standards

- Luminaire shall be UL or CSA listed
- Suitable for operation in an ambient temperature up to 40°C/ 105°F per UL or CSA certification
- LM79 compliant
- DesignLights Consortium® (DLC) qualified product. Not all versions of this product may be DLC qualified. Please check with the DLC Qualified Products List at www.designlights.org/QPL to confirm which versions are qualified

Government Procurement

BAA – Buy America(n) Act: Product qualifies as a domestic end product under the Buy American Act as implemented in the FAR and DFARS. Product also qualifies as manufactured in the United States under DOT Buy America regulations.

BABA – Build America Buy America: Product qualifies as produced in the United States under the definitions of the Build America, Buy America Act.

Please refer to www.acuitybrands.com/resources/buy-american for additional information.

Warranty – 5 Years Limited

This is the only warranty provided and no other statements in this specification sheet create any warranty of any kind. All other express and implied warranties are disclaimed. Complete warranty terms located at: www.acuitybrands.com/support/warranty/terms-and-conditions

Note: Actual performance may differ as a result of end-user environment and application. All values are design or typical values, measured under laboratory conditions at 25 °C.

GVUEORIGRETRO3

Granville Classic LED3 Utility Retrofit Kit



ORDERING INFORMATION

Example: GVUEORIGRETRO3 P30 30K MVOLT GL3 BK

Series	LED Performance Package	LED Color temperature	Voltage	Optics
GVUEORIGRETRO3 Granville Classic LED3 Utility Retrofit Kit	P10 3,300 nominal lumens	27K 2700K CCT	MVOLT Auto-Sensing 120-277V 50/60HZ	GL3 Type III
	P20 5,500 nominal lumens	30K 3000K CCT	HVOLT Auto-Sensing 347-480V 50/60HZ	GL5 Type V
	P30 8,400 nominal lumens	40K 4000K CCT		
	P40 10,900 nominal lumens	50K 5000K CCT		
	P50 13,200 nominal lumens			

Housing Color	Options: <i>Option Compatibility Matrix on page 3 of 4</i>
BK Black BZ Bronze GH Graphite GN Green GR Grey PP Prime Paint WH White CMC CustomMatchColor Finish XX STD Finish, TBD RALxxxxSDCR RAL Super Durable Corrosion Resistant, 80% Gloss Paint, replace xxxx with RAL number.	<p>CONTROLS OPTIONS</p> AO Field Adjustable Output PR7 Dimming photocontrol receptacle - 7 pin PR7E Dimming photocontrol receptacle - 7 Pin (Under Glass) PCLL Long Life DTL Twistlock Photocontrol for Solid State, MVOLT P34 Long Life DTL Twistlock Photocontrol for Solid State, 347V P48 Long Life DTL Twistlock Photocontrol for Solid State, 480V SH Shorting Cap NLTAIR2 nLight rI0 2.0 Antenna
	<p>DRIVER ELECTRICAL OPTIONS</p> FPDxx Factory Programmed Driver 20KV Extreme surge protection 20kV/10kA, fail off with indicator light
	<p>NEMA LABEL OPTIONS</p> NL1X1 1" X 1" ANSI Wattage Label NL2X2 2" X 2" ANSI Wattage Label

Accessories: <i>Order as separate catalog number.</i>	
HOUSE-SIDE SHIELD OPTIONS	
GVDHSS90	House Side Shield Solid 90°
GVDHSS12	House Side Shield Solid 120°
GVDHSS18	House Side Shield Solid 180°

GVUEORIGRETRO3

Granville Classic LED3 Utility Retrofit Kit



OPTIONS MATRIX

GVUEORIGRETRO3 (Pop-off Utility Door Housing)		LED Package					Voltage		Distribution		Options										
		P10	P20	P30	P40	P50	MVOLT	HVOLT	GL3	GL5	AO	FPDxx	PR7	PR7E	PCLL	P34	P48	SH	NLTAIR2	20kV	
LED Package	P10		N	N	N	N	Y	Y	Y	Y	Y	Y	Y	Y	Y	Y	Y	Y	N	Y	
	P20	N		N	N	N	Y	Y	Y	Y	Y	Y	Y	Y	Y	Y	Y	Y	Y	Y	
	P30	N	N		N	N	Y	Y	Y	Y	Y	Y	Y	Y	Y	Y	Y	Y	Y	Y	
	P40	N	N	N		N	Y	Y	Y	Y	Y	Y	Y	Y	Y	Y	Y	Y	Y	Y	
	P50	N	N	N	N		Y	Y	Y	Y	Y	Y	Y	Y	Y	Y	Y	Y	Y	Y	
Voltage	MVOLT	Y	Y	Y	Y	Y		N	Y	Y	Y	Y	Y	Y	Y	N	N	Y	Y	Y	
	HVOLT	Y	Y	Y	Y	Y	N		Y	Y	Y	Y	Y	N	Y	Y	Y	Y	N	Y	
Distributions	GL3	Y	Y	Y	Y	Y	Y	Y		N	Y	Y	Y	Y	Y	Y	Y	Y	Y	Y	
	GL5	Y	Y	Y	Y	Y	Y	Y	N		Y	Y	Y	Y	Y	Y	Y	Y	Y	Y	
Options	AO	Y	Y	Y	Y	Y	Y	Y	Y	Y		Y	Y	Y	Y	Y	Y	Y	N	Y	
	FPDxx	Y	Y	Y	Y	Y	Y	Y	Y	Y	Y		Y	Y	Y	Y	Y	Y	Y	Y	
	PR7	Y	Y	Y	Y	Y	Y	Y	Y	Y	Y		N	Y	Y	Y	Y	Y	N	Y	
	PR7E	Y	Y	Y	Y	Y	Y	Y	Y	Y	Y	Y	N		Y	Y	Y	Y	N	Y	
	PCLL	Y	Y	Y	Y	Y	Y	N	Y	Y	Y	Y	Y		N	N	N	N	N	Y	
	P34	Y	Y	Y	Y	Y	N	Y	Y	Y	Y	Y	Y	N		N	N	N	N	Y	
	P48	Y	Y	Y	Y	Y	N	Y	Y	Y	Y	Y	Y	N	N		N	N	N	Y	
	SH	Y	Y	Y	Y	Y	Y	Y	Y	Y	Y	Y	Y	N	N	N		N	N	Y	
	NLTAIR2	N	Y	Y	Y	Y	Y	N	Y	Y	N	Y	N	N	N	N	N	N	N		Y
	20kV	Y	Y	Y	Y	Y	Y	Y	Y	Y	Y	Y	Y	Y	Y	Y	Y	Y	Y	Y	
House-Side Shield	GVDHSS90	Y	Y	Y	Y	Y	Y	Y	Y	Y	Y	Y	Y	Y	Y	Y	Y	Y	Y	Y	
	GVDHSS12	Y	Y	Y	Y	Y	Y	Y	Y	Y	Y	Y	Y	Y	Y	Y	Y	Y	Y	Y	
	GVDHSS18	Y	Y	Y	Y	Y	Y	Y	Y	Y	Y	Y	Y	Y	Y	Y	Y	Y	Y	Y	

MATRIX KEY

I = Combined Options Included
 N = Combination Not available
 Y = Valid Option Combination

ROAM OPTION DETAILS

DE = UL listed components without GPS capability, external antenna is black and includes ROAM capable node only, ROAM service package sold separately via Acuity Controls

GVUEORIGRETRO3

Granville Classic LED3 Utility Retrofit Kit



LUMEN AMBIENT TEMPERATURE (LAT) MULTIPLIERS

Use the factors to determine relative lumen output for average ambient temperatures from 0-40°C (32-104°F)

Ambient Temp		Lumen Multiplier	
°C	°F	P10, P20	P30, P40, P50
0	32	1.03	1.04
5	41	1.02	1.03
10	50	1.02	1.03
15	59	1.01	1.02
20	68	1.01	1.01
25	77	1.00	1.00
30	86	0.99	0.99
35	94	0.99	0.98
40	104	0.98	0.97

PROJECTED LED LUMEN MAINTENANCE

Data references the extrapolated performance projections for the platforms noted in 25°C ambient, based on 6,000 hours of LED testing (tested per IESNA LM-80-08 and projected per IESNA TM-21-11). To calculate LLF, use the lumen maintenance factor that corresponds to the desired number of operating hours below. For other lumen maintenance values, contact factory.

Lumen Maintenance - LLD (Same for all LED packages)							
Hours	0	25,000	36,000	50,000	60,000	75,000	100,000
Factor	1	0.96	0.94	0.91	<i>0.90</i>	<i>0.87</i>	<i>0.83</i>

The *italicized* data is extrapolated beyond the TM-21 standard.

PERFORMANCE DATA

Performance Package	Distribution	Input Watts	27K (2700K CCT, 70 CRI)					30K (3000K CCT, 70 CRI)					40K (4000K CCT, 70 CRI)					50K (5000K CCT, 70 CRI)				
			Lumens	LPW	B	U	G	Lumens	LPW	B	U	G	Lumens	LPW	B	U	G	Lumens	LPW	B	U	G
P10	GL3	23	2,891	126	1	3	3	3,281	143	1	3	3	3,342	145	1	3	3	3,403	148	1	3	3
	GL5		2,890	126	2	3	2	3,281	143	2	3	2	3,341	145	2	3	2	3,402	148	2	3	2
P20	GL3	39	4,753	122	2	4	4	5,395	138	2	4	4	5,494	141	2	4	4	5,594	143	2	4	4
	GL5		4,752	122	3	4	3	5,394	138	3	4	3	5,494	141	3	4	3	5,594	143	3	4	3
P30	GL3	61	7,273	119	2	4	5	8,256	135	2	5	5	8,409	138	2	5	5	8,562	140	3	5	5
	GL5		7,272	119	3	5	3	8,255	135	3	5	4	8,408	138	3	5	4	8,561	140	3	5	4
P40	GL3	80	9,460	118	3	5	5	10,738	134	3	5	5	10,937	137	3	5	5	11,136	139	3	5	5
	GL5		9,459	118	3	5	4	10,736	134	4	5	4	10,935	137	4	5	4	11,134	139	4	5	4
P50	GL3	99	11,419	115	3	5	5	12,961	131	3	5	5	13,202	133	3	5	5	13,442	136	3	5	5
	GL5		11,417	115	4	5	4	12,959	131	4	5	5	13,200	133	4	5	5	13,440	136	4	5	5

GVUEORIGRETRO3

Granville Classic LED3 Utility Retrofit Kit



FPDXX DATA OPTIONS

FPDxx Setting	Wattage	P10 27K		P10 30K		P10 40K		P10 50K	
		GL3	GL5	GL3	GL5	GL3	GL5	GL3	GL5
Standard	23	2,891	2,890	3,281	3,281	3,342	3,341	3,403	3,402
FPD95	22	2,754	2,753	3,126	3,126	3,184	3,183	3,242	3,241
FPD90	21	2,617	2,616	2,970	2,970	3,026	3,025	3,081	3,080

FPDxx Setting	Wattage	P20 27K		P20 30K		P20 40K		P20 50K	
		GL3	GL5	GL3	GL5	GL3	GL5	GL3	GL5
Standard	39	4,753	4,752	5,395	5,394	5,494	5,494	5,594	5,594
FPD95	37	4,530	4,529	5,142	5,141	5,236	5,236	5,332	5,332
FPD90	35	4,306	4,305	4,888	4,887	4,978	4,978	5,068	5,068
FPD85	33	4,081	4,080	4,632	4,632	4,717	4,717	4,803	4,803
FPD80	31	3,855	3,854	4,376	4,375	4,456	4,456	4,537	4,537
FPD75	29	3,628	3,627	4,118	4,117	4,193	4,193	4,269	4,269
FPD70	27	3,399	3,398	3,858	3,858	3,929	3,929	4,001	4,001

FPDxx Setting	Wattage	P30 27K		P30 30K		P30 40K		P30 50K	
		GL3	GL5	GL3	GL5	GL3	GL5	GL3	GL5
Standard	61	7,273	7,272	8,256	8,255	8,409	8,408	8,562	8,561
FPD95	58	6,941	6,940	7,879	7,878	8,025	8,024	8,171	8,170
FPD90	55	6,605	6,605	7,498	7,497	7,637	7,636	7,776	7,775
FPD85	52	6,267	6,266	7,114	7,113	7,246	7,245	7,378	7,377
FPD80	48	5,789	5,789	6,572	6,571	6,694	6,693	6,815	6,815
FPD75	46	5,394	5,393	6,123	6,122	6,236	6,235	6,350	6,349
FPD70	43	5,034	5,033	5,714	5,714	5,820	5,820	5,926	5,926

FPDxx Setting	Wattage	P40 27K		P40 30K		P40 40K		P40 50K	
		GL3	GL5	GL3	GL5	GL3	GL5	GL3	GL5
Standard	80	9,460	9,459	10,738	10,736	10,937	10,935	11,136	11,134
FPD95	75	9,045	9,044	10,267	10,265	10,457	10,456	10,648	10,646
FPD90	71	8,624	8,623	9,789	9,788	9,971	9,969	10,152	10,151
FPD85	67	8,197	8,196	9,305	9,303	9,477	9,475	9,650	9,648
FPD80	63	7,764	7,763	8,813	8,811	8,976	8,975	9,140	9,138

FPDxx Setting	Wattage	P50 27K		P50 30K		P50 40K		P50 50K	
		GL3	GL5	GL3	GL5	GL3	GL5	GL3	GL5
Standard	99	11,419	11,417	12,961	12,959	13,202	13,200	13,442	13,440
FPD95	93	10,940	10,939	12,418	12,416	12,649	12,647	12,879	12,877
FPD90	88	10,452	10,450	11,863	11,861	12,084	12,082	12,303	12,301
FPD85	83	9,953	9,951	11,297	11,295	11,507	11,505	11,716	11,714

GVUEORIGRETRO3

Granville Classic LED3 Utility Retrofit Kit

OPTIONAL COMPONENTS



AO
Manual field adjustable output dimming device



DE
Remote Asset Management Control Decorative Node (specify with P3 receptacle)



20kV
Safeguard your investment from extreme voltage spikes with our new Extreme 20kV/10kA SPD



NLTAIR2
Fixture embedded nLight AIR network interface provides individual fixture control and digital dimming capabilities