

Catalog Number	
Notes	Type

# HVT

## 1X4, 2X2 and 2X4

LED, LOW-PROFILE, RECESSED LUMINAIRE WITH BASKET DIFFUSER



### Intended Use

The HVT is a general lighting luminaire ideal for many commercial applications including open offices, circulation areas, wait areas, and numerous other commercial applications. Ideal for new construction and remodel applications.

### Construction

Cold rolled steel or electro galvanized substrate with a highly reflective white finish on phosphate-free, multi-staged pretreated metal.

### Optics

**Diffuser** — Specially formulated high transmission optic features a textured opal or perforated round surface and a unique combination of high light diffusion and high light transmission. The combination of optimized surface texture and advanced diffuser technology enhances fixture aesthetics while maximizing performance.

**Certain airborne contaminants can diminish the integrity of acrylic and/or polycarbonate.** [Click here for Acrylic-Polycarbonate Compatibility table for suitable uses.](#)

### Electrical

High-performance LEDs deliver constant high-quality white light and uniform illumination without pixilation. The HVT is available in multiple lumen packages and four color temperatures. The LED driver is dimmable to 1% through both generic and ELDOLED drivers. Optional 33% and 66% step level dimming is available. Power Factor >0.9. 80% LED Lumen Maintenance at 60,000 Hours (L80/60,000).

### Mounting

Lightweight and easy to install in any standard T-Bar or screw slot grids. Drywall frame available for plaster/drywall ceilings, surface mount kits also available, see accessories below. Recommended to use LFC clips on all 9/16" grids.

### Packaging

For large jobs, order with Job Pack option to reduce labor and packaging waste. 2x4 units are packed 10 per pallet. 1x4 and 2x2 are packed 22 per pallet.

### Listings

CSA Certified to meet U.S. and Canadian standards. IC rated.

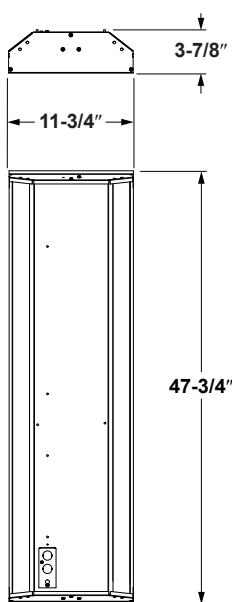
### Warranty

5-year limited warranty. This is the only warranty provided and no other statements in this specification sheet create any warranty of any kind. All other express and implied warranties are disclaimed. Complete warranty terms located at: [www.acuitybrands.com/support/warranty/terms-and-conditions](http://www.acuitybrands.com/support/warranty/terms-and-conditions)

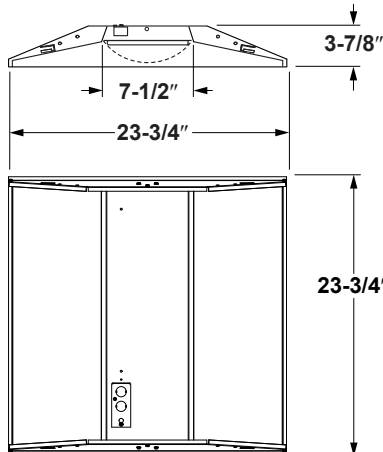
**NOTE:** Actual performance may differ as a result of end-user environment and application. All values are design or typical values, measured under laboratory conditions at 25 °C.



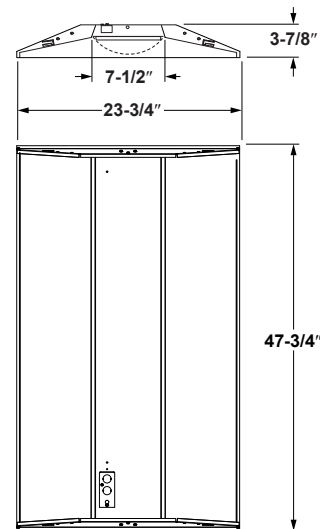
## DIMENSIONS



HVT 1X4



HVT 2X2



HVT 2X4

**ORDERING INFORMATION**

**Example:** HVT 2X4 DOP 5500LM 40K MVOLT MIN1 NLTAIR2 RIO 80CRI

Series	Size	Diffuser	Lumens ‡	Color temperature	Voltage	Dimming
HVT Low Profile LED	2X2 2X2 2X4 2X4	DOP Opal	2600LM 2600 lumens	30K 3000K	MVOLT 120-277V 347V 347V ‡	MIN1 Dims to 1% SLD Step-level dimming ‡
			3900LM 3900 lumens	35K 3500K		
			5500LM 5500 lumens ‡	40K 4000K		
			6500LM 6500 lumens ‡	50K 5000K		
	PR Perforated Round	2100LM 2100 lumens		3100LM 3100 lumens		
		4400LM 4400 lumens ‡				
		5200LM 5200 lumens ‡				

CRI	Control Input	Options
80CRI 80 CRI	ZT Generic 0-10V Dimming EZT eldoLED 0-10V Dimming NLIGHT nLight enabled (Wired), no constant lumen management ‡ NLIGHTEMG nLight enabled (Wired), no constant lumen management (UL924). ‡ NLTAIR2 RIO nLight AIR Generation 2 enabled with radio module ‡	PWS1836 6' pre-wire, 3/8" diameter, 18 gauge, 1 circuit PWS1846 6' pre-wire, 3/8" diameter, 18 gauge, 2 circuit ‡ PWS1846PWSLV Two cables: one 6' pre-wire, 3/8" diameter, 18 gauge, 2 circuit; one 6' pre-wire, 3/8" diameter, 18 gauge, includes 0-10V dimming leads ‡ PWS1856LV 6' pre-wire, 3/8" diameter, 18 gauge, 1 circuit, includes 0-10V dimming leads ‡
		BR IOTA® ILB CP07 B, 7 watt internal constant power emergency driver, UL924 compliant, CA title 20 non-compliant (120-277V) (LINK) E10WLCP Power Sentry® PS105SLCP, 10 watt internal constant power emergency driver, 5°C min, UL924 Compliant, Certified in CA Title 20 MAEDBS (LINK) DWAM Anti-Microbial Paint CP Chicago Plenum JP10 Job Pack qty 10 ‡ JP22 Job Pack qty 22 ‡

Accessories/Description			
HLFC	Fixture Clips for Armstrong 9/16" T	H2X2SMKSHPPAF	Surface Mount Troffer Kit Post Paint
HDGA22	2' X 2' Drywall Frame Adapter	H2X4SMKSHPPAF	Surface Mount Troffer Kit Post Paint
HDGA24	2' X 4' Drywall Frame Adapter		

‡ Option Value Ordering Restrictions	
Option value	Restriction
347	Not available with SLD, EZT, NLIGHT, NLTAIR2 RIO, BR or E10WLCP.
5500LM, 6500LM, 4400LM, 5200LM	Available with 2X4 only.
JP10	Available with 2X4 only.
JP22	Available with 2X2 only.
Lumens	Approximate lumen output.
NLIGHT	Not available with CP. Utilizes nLO EZ PH control device.
NLIGHTEMG	Not available with CP. Utilizes nLO EZ PH ER control device.
NLTAIR2 RIO	Not available with CP. Utilizes RIO EZDL EXTDB ACWH 180D control device.
PWS1846	For use with SLD or BR or E10WLCP only.
PWS1846PWSLV	For use with BR or E10WLCP only when 0-10V dimming is required.
PWS1856LV	Not available with SLD or BR or E10WLCP.
SLD	Not available with 5500LM, 6500LM, 4400LM 5200LM, ZT, EZT, NLIGHT, NLIGHTEMG or NLTAIR2 RIO. Not available on 2X4 DOP 5500LM, or 2X4 PR 4400LM.

Performance Data			
Catalog Number	Input Watts	Lumens	LPW
HVT 2X2 DOP 2600LM 30K MVOLT MIN1 80CRI ZT	27	2654	98.2
HVT 2X2 DOP 2600LM 35K MVOLT MIN1 80CRI ZT	27	2694	99.7
HVT 2X2 DOP 2600LM 40K MVOLT MIN1 80CRI ZT	27	2774	102.7
HVT 2X2 DOP 2600LM 50K MVOLT MIN1 80CRI ZT	27	2814	104.2
HVT 2X2 DOP 3900LM 30K MVOLT MIN1 80CRI ZT	36	3982	110.6
HVT 2X2 DOP 3900LM 35K MVOLT MIN1 80CRI ZT	36	4041	112.2
HVT 2X2 DOP 3900LM 40K MVOLT MIN1 80CRI ZT	36	4161	115.5
HVT 2X2 DOP 3900LM 50K MVOLT MIN1 80CRI ZT	36	4221	117.2
HVT 2X4 DOP 2600LM 30K MVOLT MIN1 80CRI ZT	27	2782	103.0
HVT 2X4 DOP 2600LM 35K MVOLT MIN1 80CRI ZT	27	2824	104.5
HVT 2X4 DOP 2600LM 40K MVOLT MIN1 80CRI ZT	27	2908	107.7
HVT 2X4 DOP 2600LM 50K MVOLT MIN1 80CRI ZT	27	2949	109.2
HVT 2X4 DOP 3900LM 30K MVOLT MIN1 80CRI ZT	36	3954	109.8
HVT 2X4 DOP 3900LM 35K MVOLT MIN1 80CRI ZT	36	4013	111.4
HVT 2X4 DOP 3900LM 40K MVOLT MIN1 80CRI ZT	36	4132	114.7
HVT 2X4 DOP 3900LM 50K MVOLT MIN1 80CRI ZT	36	4191	116.4
HVT 2X4 DOP 5500LM 30K MVOLT MIN1 80CRI ZT	52	5840	112.3
HVT 2X4 DOP 5500LM 35K MVOLT MIN1 80CRI ZT	52	5928	114
HVT 2X4 DOP 5500LM 40K MVOLT MIN1 80CRI ZT	52	6103	117.3
HVT 2X4 DOP 5500LM 50K MVOLT MIN1 80CRI ZT	52	6191	119.0
HVT 2X4 DOP 6500LM 30K MVOLT MIN10 80CRI ZT	60	7002	117
HVT 2X4 DOP 6500LM 35K MVOLT MIN10 80CRI ZT	60	7130	119
HVT 2X4 DOP 6500LM 40K MVOLT MIN10 80CRI ZT	60	7536	126
HVT 2X4 DOP 6500LM 50K MVOLT MIN10 80CRI ZT	60	7130	119

**How to Estimate Delivered Lumens in Emergency Mode**

Use the formula below to determine the delivered lumens in emergency mode

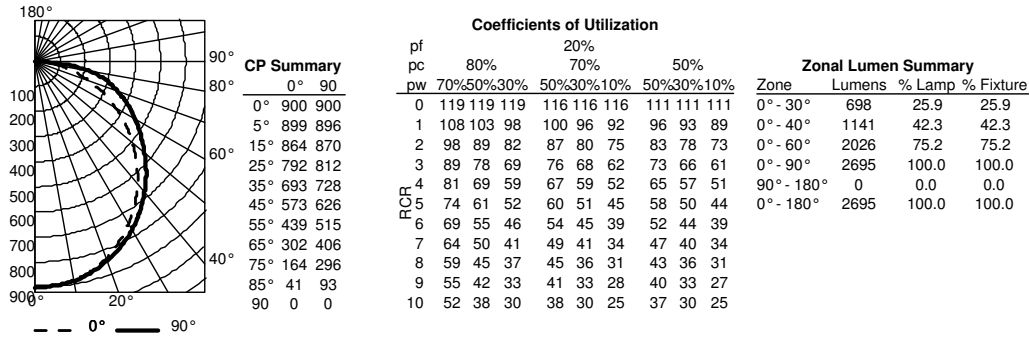
**Delivered Lumens = 1.25 x P x LPW**

P = Output power of emergency driver. P = 10W for E10WLCP option.

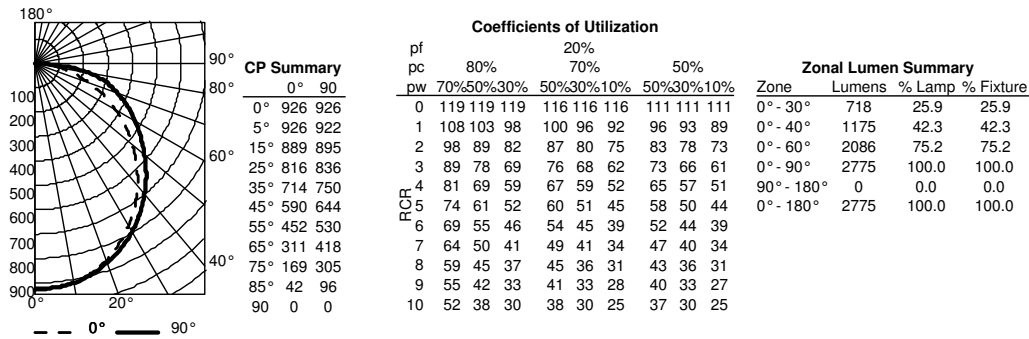
LPW = Lumen per watt rating of the luminaire. This information is available on the ABL luminaire spec sheet. LPW = Lumen per watt rating of the luminaire. LPW information available in Performance Data section.

**PHOTOMETRICS**

**HVT 2X2 DOP 2600LM 35K MVOLT MIN1 80CRI ZT, 2694 delivered lumens**

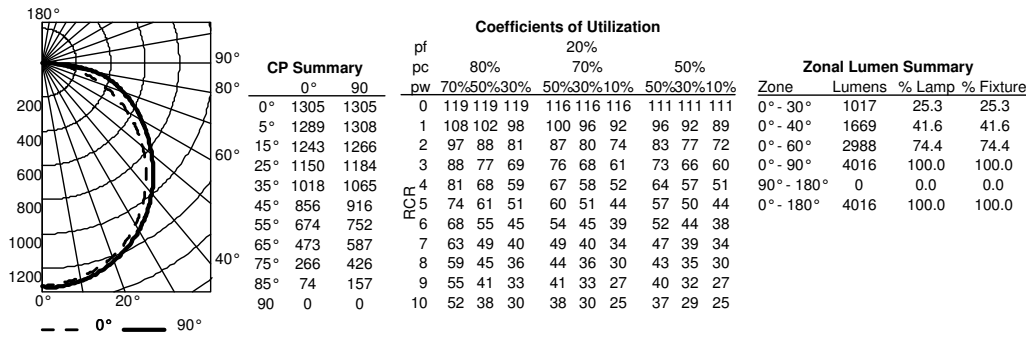


**HVT 2X2 DOP 2600LM 40K MVOLT MIN1 80CRI ZT, 2774 delivered lumens**

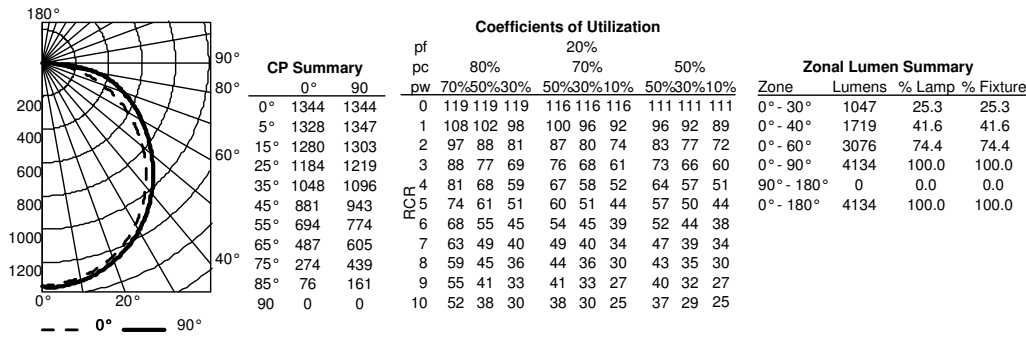


PHOTOMETRICS

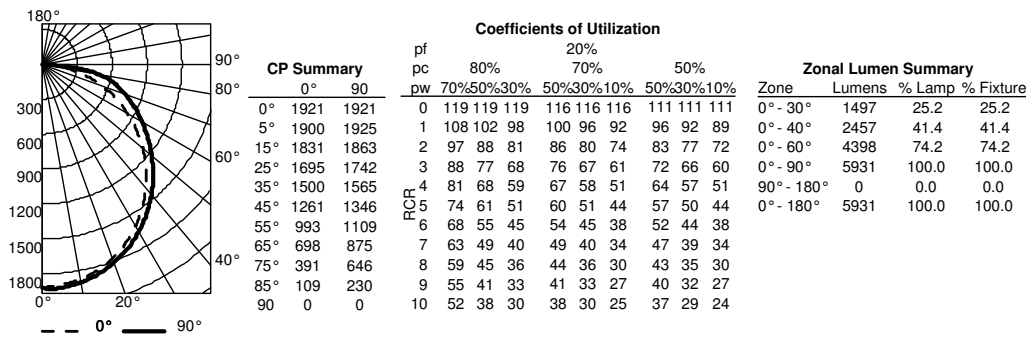
HVT 2X4 DOP 3900LM 35K MVOLT MIN1 80CRI ZT, 4013 delivered lumens



HVT 2X4 DOP 3900LM 40K MVOLT MIN1 80CRI ZT, 4132 delivered lumens



HVT 2X4 DOP 5500LM 35K MVOLT MIN1 80CRI ZT, 5928 delivered lumens



HVT 2X4 DOP 5500LM 40K MVOLT MIN1 80CRI ZT, 6103 delivered lumens

