

Catalog Number	
Notes	Type

# MSPL2

## Memphis® Teardrop Pedestrian Roadway LED Pendant



### SPECIFICATIONS

#### Description

The Memphis Pedestrian luminaire is styled to replicate the "teardrop" luminaires that lighted boulevards in the first half of this century. Designed for light control and ease of installation and maintenance, the Memphis Pedestrian has a precision optical system for true street lighting performance.

#### Mounting Style (Leveling Fitter Options)

Three mounting versions are available.

- An arm mount version which is provided with two U-bolts with washers and nuts and two leveling set screws that lock the housing to a 2 inch nominal (2-3/8" O.D.) horizontal arm and allow a +/- 5 degree adjustment from horizontal to the cover.
- A pendant mount version (either 1.25NPT or 1.5NPT) which threads to a vertical NPT male threaded pipe fitting and is locked in place by a stainless steel set screw.
- A QSM (Quick Lock Stem Mounting), which consists of a vertical stem with flared top that mounts into a matching QSM fitter or arm. The QSM mount can aid in installation speed as it is a quicker installation than the other mounting methods.

Note: The QSM style is compatible with the following leveling fitters:

- Boston Harbor Decorative Arm Fitter (BHDF)
- GlasWerks Decorative Arm Fitter (GWDF)
- West Liberty Decorative Arm Fitter (WLDF)
- Ball Style Decorative Arm Fitter (BADF)

#### Electrical / Reflector Assembly

The unitized electrical assembly, composed of the electronic driver, surge protection device, and other selected components is mounted on a removable tray. The assembly is easily accessible by loosening the optical wing nut and opening the optical door. The disconnect plug connect the driver to the terminal block located in the upper housing wiring chamber. On the underside of the electrical assembly facing downward is the LED module, which is sealed to the door assembly cradling the glass lens.

#### Refractor / Door Assembly

The cast aluminum door supports a teardrop, bowl or sag shaped, thermal resistant borosilicate glass refractor that controls the light to provide an I.E.S. asymmetric (teardrop, bowl and sag glass) and symmetric (bowl and sag glass) distribution. I.E.S. asymmetric cut off distribution is available on the bowl glass with the decorative deep skirt option and the sag glass with either the decorative shallow or deep skirt option. The refractor assembly and decorative skirt (when applicable) assembly hinges from the electrical/reflector assembly and is latched by a tamper-resistant, color matched bracket and with nut assembly.

#### Driver

LED programmable dimmable driver located in the upper electrical housing.

#### Finish/ Material

- Rigorous multi-stage pre-treating and painting process yields a finish that achieves a scribe creepage rating of 8 (per ASTM D1654) after over 5000 hours exposure to salt fog chamber (operated per ASTM B117) on standard and RAL finish options.
- RAL (RALxxxxSDCR) paint colors are Super Durable Corrosion Resistant, 80% gloss.

#### CSA Listing

CSA listing suitable for wet locations.

#### Government Procurement

BAA – Buy America(n) Act: Product qualifies as a domestic end product under the Buy American Act as implemented in the FAR and DFARS. Product also qualifies as manufactured in the United States under DOT Buy America regulations.

BABA – Build America Buy America: Product qualifies as produced in the United States under the definitions of the Build America, Buy America Act. Please refer to [www.acuitybrands.com/resources/buy-american](http://www.acuitybrands.com/resources/buy-american) for additional information.

#### Warranty

5-year limited warranty. This is the only warranty provided and no other statements in this specification sheet create any warranty of any kind. All other express and implied warranties are disclaimed. Complete warranty terms located at: [www.acuitybrands.com/support/warranty/terms-and-conditions](http://www.acuitybrands.com/support/warranty/terms-and-conditions)

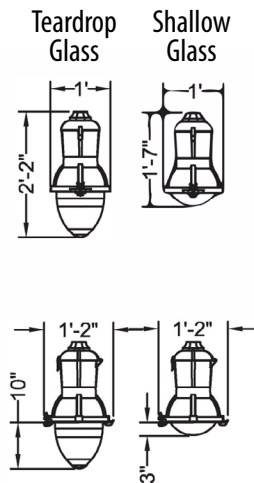
**Note:** Actual performance may differ as a result of end-user environment and application.

All values are design or typical values, measured under laboratory conditions at 25 °C.

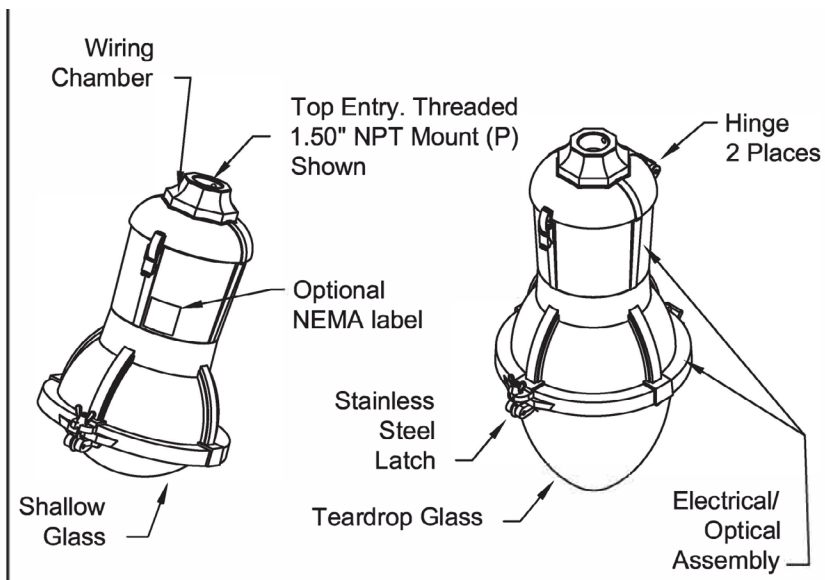
Specifications subject to change without notice.



### DIMENSIONAL DATA



Maximum Weight - 39 lbs  
Maximum Effective Projected Area - 1.36 ft



**ORDERING INFORMATION**

**EXAMPLE: MSPL2**

Series	LED Performance Package	Color Temperature	Voltage	Mounting	Finish	Optic
MSPL2 Memphis® Teardrop Pedestrian Roadway LED Pendant	P10 27W: 3,600 lumens	30K 3000 CCT 40K 4000 CCT 50K 5000 CCT	MVOLT Auto-sensing voltage (120 thru 277V) 50/60 HZ	NPT 1.5 NPT pendant mount	BK Black	SG4 Shallow Glass Asymmetric
	P20 38W: 4,700 lumens	HVOLT Auto-sensing voltage (347 thru 480V) 50/60 HZ			GN Green	
	P30 51W: 6,000 lumens		WH White	TG4 Teardrop Glass Asymmetric		
	P40 77W: 9,100 lumens		BZ Bronze	TG5 Teardrop Glass Symmetric		
	P50 120W: 12,400 lumens	CTBS CMC = Custom Paint Match Process				
<i>Note: Refer to Page 5 for performance details</i>					RALxxxxSDCR RAL Super Durable Corrosion Resistant, 80% Gloss Paint, replace xxxx with RAL number.	

Options			
<b>Control Options</b>		<b>Skirt Options</b>	
PR7 NEMA Twist Lock Dimming photocontrol receptacle - 7 PIN		DS 25 inch Diameter Deep Skirt, refer to page 4 for zero uplight options	<b>NEMA Wattage Label Options</b>
PR7E Externally mounted NEMA twistlock photocontrol dimming receptacle (7 pin) on the Fitter		SS 23 inch Diameter Shallow Skirt, refer to page 4 for zero uplight options	NL1X1 1"x1" for wattage label
PCLL Long Life DTL Twistlock Photocontrol for Solid State, Fail Off, MVOLT			NL2X2 2"x2" for wattage label
P34 Long Life DTL Twistlock Photocontrol for Solid State, Fail Off, 347V			NL3X3 3"x3" for wattage label
P48 Long Life DTL Twistlock Photocontrol for Solid State, Fail Off, 480V			<b>Prewire Lead Options</b>
SH Shorting cap			L1H 1.5' prewired leads
			L03 3' prewired leads
			L10 10' prewired leads
			L20 20' prewired leads
			L25 25' prewired leads
			L30 30' prewired leads

Accessories: Order as separate catalog number.	
SPDPLUGIN	Replacement surge protector 120-277V
SPDPLUGIN-48	Replacement surge protector 347-480V

**Lumen Ambient Temperature (LAT) Multipliers**

Use these factors to determine relative lumen output for average ambient temperatures from 0-40°C (32-104°F).

Average Lumen Ambient Temperature (LAT) Multipliers			
°C	°F	Lumen Multiplier	LED Packages
0	32	1.07	P10, P20, P30, P40, P50
5	41	1.06	
10	50	1.04	
15	59	1.03	
20	68	1.02	
25	77	1.00	
30	86	0.98	
35	95	0.97	
40	104	0.95	

**Projected LED Lumen Maintenance**

Data references the extrapolated performance projections for the platforms noted in a 25°C ambient, based on 10,000 hours of LED testing (tested per IESNA LM-80-08 and projected per IESNA TM-21-11).

To calculate LLF, use the lumen maintenance factor that corresponds to the desired number of operating hours below. For other lumen maintenance values, contact factory.

Lumen Maintenance - LLD (same for all LED packages)							
Hours	0	25,000	36,000	50,000	60,000	75,000	100,000
Factor	1	0.91	0.88	0.85	0.83	0.79	0.74

*The italicized data is extrapolated beyond the TM-21 standard.*

$E = (LM) \times (CU) \times (LAT) \times (LLD)$

LM and CU are obtained from published photometry.

**OPTIONS MATRIX**

OPTIONS		Performance Package					Voltage		Optics				Option					
		P10	P20	P30	P40	P50	MVOLT	HVOLT	SG4	SG5	TG4	TG5	PR7	PR7E	PCLL	P34	P48	SH
Performance Package	P10		N	N	N	N	Y	N	Y	Y	Y	Y	Y	Y	Y	Y	Y	Y
	P20	N		N	N	N	Y	N	Y	Y	Y	Y	Y	Y	Y	Y	Y	Y
	P30	N	N		N	N	Y	Y	Y	Y	Y	Y	Y	Y	Y	Y	Y	Y
	P40	N	N	N		N	Y	Y	Y	Y	Y	Y	Y	Y	Y	Y	Y	Y
	P50	N	N	N	N		Y	Y	Y	Y	Y	Y	Y	Y	Y	Y	Y	Y
Voltage	MVOLT	Y	Y	Y	Y	Y		N	Y	Y	Y	Y	Y	Y	Y	N	N	Y
	HVOLT	N	N	Y	Y	Y	N		Y	Y	Y	Y	Y	Y	N	Y	Y	Y
Optics	SG4	Y	Y	Y	Y	Y	Y	Y		N	N	N	Y	Y	Y	Y	Y	Y
	SG5	Y	Y	Y	Y	Y	Y	Y	N		N	N	Y	Y	Y	Y	Y	Y
	TG4	Y	Y	Y	Y	Y	Y	Y	N	N		N	Y	Y	Y	Y	Y	Y
	TG5	Y	Y	Y	Y	Y	Y	Y	N	N	N		Y	Y	Y	Y	Y	Y
	PR7	Y	Y	Y	Y	Y	Y	Y	Y	Y	Y	Y		N	Y	Y	Y	Y
	PR7E	Y	Y	Y	Y	Y	Y	Y	Y	Y	Y	Y	N		Y	Y	Y	Y
	PCLL	Y	Y	Y	Y	Y	Y	N	Y	Y	Y	Y	Y	Y		N	N	N
	P34	Y	Y	Y	Y	Y	N	Y	Y	Y	Y	Y	Y	Y	N		N	N
	P48	Y	Y	Y	Y	Y	N	Y	Y	Y	Y	Y	Y	Y	N	N		N
	SH	Y	Y	Y	Y	Y	Y	Y	Y	Y	Y	Y	Y	Y	N	N	N	

**MATRIX KEY**

N = Combination Not available

Y = Valid Option Combination

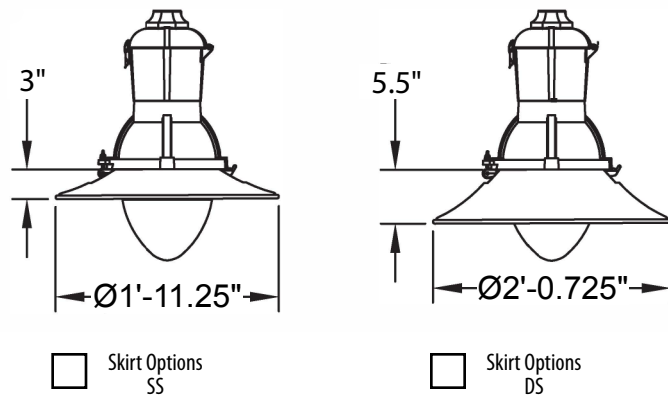
# MSPL2

Memphis® Teardrop Pedestrian Roadway LED Pendant

## MARK APPROPRIATE BOX FOR TRIM OPTIONS

		STANDARD	SHALLOW SKIRT	DEEP SKIRT	
TEARDROP GLASS Optic Options 4 and 5		 <input type="checkbox"/>	 <input type="checkbox"/>	 <input type="checkbox"/>	
	SHALLOW GLASS Optic Options 6 and 7		 <input type="checkbox"/>	 <input type="checkbox"/>	 <input type="checkbox"/>

## SKIRT DIMENSIONS



PERFORMANCE DATA

Lumens - Standard Unit

LED Package	Distribution	System Watts	30K (3000K, 70 CRI)					40K (4000K, 70 CRI)					50K (5000K, 70 CRI)				
			Lumens	LPW	B	U	G	Lumens	LPW	B	U	G	Lumens	LPW	B	U	G
P10	TG4	27	3,451	128	1	3	2	3,621	134	1	3	2	3,621	134	1	3	2
	TG5	27	3,681	136	2	3	2	3,862	143	2	3	2	3,862	143	2	3	2
	SG5	27	3,431	127	2	3	2	3,601	133	2	3	2	3,601	133	2	3	2
	SG4	27	3,126	116	1	3	2	3,280	121	1	3	2	3,280	121	1	3	2
P20	TG4	38	4,517	119	1	3	2	4,739	125	1	3	2	4,739	125	1	3	2
	TG5	38	4,817	127	3	3	2	5,055	133	3	3	2	5,055	133	3	3	2
	SG5	38	4,491	118	2	3	2	4,712	124	2	3	2	4,712	124	2	3	2
	SG4	38	4,091	108	1	3	2	4,293	113	1	3	2	4,293	113	1	3	2
P30	TG4	51	5,751	113	1	3	2	6,035	118	2	3	3	6,035	118	2	3	3
	TG5	51	6,134	120	3	3	2	6,436	126	3	3	2	6,436	126	3	3	2
	SG5	51	5,718	112	3	3	2	6,000	118	3	3	2	6,000	118	3	3	2
	SG4	51	5,209	102	1	3	2	5,466	107	2	3	3	5,466	107	2	3	3
P40	TG4	77	8,690	113	2	3	3	9,118	118	2	3	3	9,118	118	2	3	3
	TG5	77	9,268	120	3	3	3	9,725	126	3	3	3	9,725	126	3	3	3
	SG5	77	8,641	112	3	3	3	9,067	118	3	3	3	9,067	118	3	3	3
	SG4	77	7,871	102	2	3	3	8,259	107	2	3	3	8,259	107	2	3	3
P50	TG4	120	11,857	99	2	3	3	12,442	104	2	3	3	12,442	104	2	3	3
	TG5	120	12,646	105	4	3	3	13,269	111	4	3	3	13,269	111	4	3	3
	SG5	120	11,791	98	3	3	3	12,372	103	3	3	3	12,372	103	3	3	3
	SG4	120	10,740	90	2	3	3	11,270	94	2	3	3	11,270	94	2	3	3

Lumens- with Deep Skirt (DS) option

LED Package	Distribution	System Watts	30K (3000K, 70 CRI)					40K (4000K, 70 CRI)					50K (5000K, 70 CRI)				
			Lumens	LPW	B	U	G	Lumens	LPW	B	U	G	Lumens	LPW	B	U	G
P10	TG4	27	2,797	104	1	1	1	2,935	109	1	1	1	2,935	109	1	1	1
	TG5	27	2,927	108	2	1	1	3,071	114	2	1	1	3,071	114	2	1	1
	SG5	27	2,522	93	1	0	0	2,646	98	1	0	0	2,646	98	1	0	0
	SG4	27	2,399	89	1	0	1	2,517	93	1	0	1	2,517	93	1	0	1
P20	TG4	38	3,661	96	1	1	1	3,841	101	1	1	1	3,841	101	1	1	1
	TG5	38	3,831	101	2	2	1	4,020	106	2	2	1	4,020	106	2	2	1
	SG5	38	3,301	87	1	0	0	3,464	91	2	0	0	3,464	91	2	0	0
	SG4	38	3,140	83	1	0	1	3,295	87	1	0	1	3,295	87	1	0	1
P30	TG4	51	4,661	91	1	1	1	4,891	96	1	1	1	4,891	96	1	1	1
	TG5	51	4,878	96	2	2	1	5,118	100	3	2	1	5,118	100	3	2	1
	SG5	51	4,203	82	2	0	0	4,410	86	2	0	0	4,410	86	2	0	0
	SG4	51	3,998	78	1	0	1	4,195	82	1	0	1	4,195	82	1	0	1
P40	TG4	77	7,043	91	1	2	1	7,390	96	1	2	1	7,390	96	1	2	1
	TG5	77	7,365	96	3	2	1	7,728	100	3	2	1	7,728	100	3	2	1
	SG5	77	6,352	82	2	0	1	6,665	87	2	0	1	6,665	87	2	0	1
	SG4	77	6,050	79	1	0	1	6,349	82	1	0	1	6,349	82	1	0	1
P50	TG4	120	9,610	80	2	2	2	10,084	84	2	2	2	10,084	84	2	2	2
	TG5	120	10,049	84	3	2	2	10,545	88	3	2	2	10,545	88	3	2	2
	SG5	120	8,667	72	3	0	1	9,095	76	3	0	1	9,095	76	3	0	1
	SG4	120	8,256	69	2	0	1	8,663	72	2	0	1	8,663	72	2	0	1

**PERFORMANCE DATA**

Lumens - with Shallow Skirt (SS) option

LED Package	Distribution	System Watts	30K (3000K, 70 CRI)					40K (4000K, 70 CRI)					50K (5000K, 70 CRI)				
			Lumens	LPW	B	U	G	Lumens	LPW	B	U	G	Lumens	LPW	B	U	G
P10	TG4	27	3,137	116	1	2	1	3,291	122	1	2	1	3,291	122	1	2	1
	TG5	27	3,474	129	2	2	1	3,646	135	2	2	1	3,646	135	2	2	1
	SG5	27	3,100	115	2	0	1	3,253	120	2	0	1	3,253	120	2	0	1
	SG4	27	2,769	103	1	0	1	2,905	108	1	0	1	2,905	108	1	0	1
P20	TG4	38	4,105	108	1	2	1	4,308	113	1	2	1	4,308	113	1	2	1
	TG5	38	4,547	120	3	2	1	4,771	126	3	2	1	4,771	126	3	2	1
	SG5	38	4,058	107	2	0	1	4,258	112	2	0	1	4,258	112	2	0	1
	SG4	38	3,623	95	1	0	1	3,802	100	1	0	1	3,802	100	1	0	1
P30	TG4	51	5,227	102	1	2	1	5,485	108	1	2	1	5,485	108	1	2	1
	TG5	51	5,790	114	3	3	1	6,075	119	3	3	1	6,075	119	3	3	1
	SG5	51	5,167	101	3	0	1	5,421	106	3	0	1	5,421	106	3	0	1
	SG4	51	4,614	90	1	0	1	4,841	95	1	0	1	4,841	95	1	0	1
P40	TG4	77	7,898	103	2	3	2	8,288	108	2	3	2	8,288	108	2	3	2
	TG5	77	8,748	114	3	3	2	9,179	119	3	3	2	9,179	119	3	3	2
	SG5	77	7,809	101	3	0	1	8,194	106	3	0	1	8,194	106	3	0	1
	SG4	77	6,983	91	2	0	2	7,328	95	2	0	2	7,328	95	2	0	2
P50	TG4	120	11,857	90	2	3	2	11,309	94	2	3	2	11,309	94	2	3	2
	TG5	120	12,646	99	4	3	2	12,525	104	4	3	2	12,525	104	4	3	2
	SG5	120	11,791	89	3	0	2	11,180	93	3	0	2	11,180	93	3	0	2
	SG4	120	10,740	79	2	0	2	9,999	83	2	0	2	9,999	83	2	0	2