

Catalog Number	
Notes	Type

MGLEDM

Mongoose Medium LED



The Mongoose Medium LED offset roadway and area lighting product provides significant energy and maintenance savings vs. HID luminaires. It offers the ultimate in application flexibility with a uniquely designed advanced optical system and attractive appearance. This combined with multiple lighting distributions, mounting options and the ability to tilt the fixture offers unequal performance in a diverse set of applications ranging from interstates and parking lots.

Mechanical

- Rugged grade A360 diecast aluminum (<1% copper)
- Tool-less access with stainless steel latches
- Terminal block in arm
- Rigorous 5-stage pretreatment polyester topcoat to ensure maximum durability that achieves a scribe creepage rating of 8 after 5,000 hours of salt spray
- Removable "power tray" facilitates maintenance
- Corrosion resistant stainless-steel latches ensure secure closure over the long fixture life
- Horizontal mast arms or vertical tenon (VH) and universal mounting to round and square poles (UN) options
- Universal mount mates to all major manufacturer's hole patterns
- All Mountings are 3G vibration rated per ANSI C136.31
- Adjustable fixture tilt from 0-45 degrees provides flexibility to optimize lighting performance

Electrical

- Standard surge protection is 20kV/10kA "Extreme Level" per ANSI C136.2
- LED light engines are rated > 100,000 at 25°C, L70
- Electronic driver has an expected life of > 100,000 hours at 25°C
- Rated for -40°C / (-40°F) minimum ambient
- Programmable electronic driver with 0-10V control leads
- Driver voltage options: 120-277V 50/60 Hz and 347 50/60 Hz and 480V 50/60 Hz
- Luminaire ships with a 0-10V dimmable driver. Luminaire is continuous and step dimming capable via AO option or controls installed on P7 photocontrol receptacle option.

Optical

- Performance is comparable to 150-400 watt HPS or 175-1,000 watt MH
- IP66 rated borosilicate glass optics ensure longevity and minimize dirt depreciation
- Molded Silicone optics: Area (Type 5) (AR), Forward Throw (FT), Medium Roadway (MR), Narrow Roadway (NR) and Wide Roadway (WR)
- Borosilicate glass refractor optics: Area (AG), Forward Throw (FG), Medium Roadway (MG), Narrow Roadway (NG) and Wide Roadway (WG)
- 2700K, 3000K, 4000K and 5000K CCT, 70 CRI
- Optional Uplight Skirt (US) when used with refractor ensures zero uplight above 90°
- House side shield (HSS), light trespass shield and option available
- Wire guard kit option available

Controls

- The Acuity designed ANSI 7-pin receptacle is available, which supports traditional locking style photocontrols such as the Extreme long-life solid-state locking style photocontrol - PCLL (20 year rated life).
- Optional onboard Adjustable Output module allows the light output and input wattage to be modified to meet site specific requirements, and also can allow a single fixture to be flexibly applied in many different applications.
- The DC Connect option is a factory embedded low voltage dusk to dawn photocontrol that increases longevity vs. line voltage controls and also eliminates the need to separately inventory controls.
- Integral nLight rSDGR control is also available to provide local or network on/off/ dim control plus robust outdoor motion detection and response at up to 40' mounting heights.
- The LocalConnect option provides a simple means to collect luminaire attribute data, asset location information and execute point-to-point on/off/dim commands via secure Bluetooth link using smartphone platforms.
- The GlobalConnect option enabled thru selection of receptacles and controls provides a smart city enabled solution utilizing long range network nodes to enable remote monitoring and control. Additionally, it can be equipped with sensor-ready technology to support Zhaga standard sensors.
- Cell Connect is an embedded network photocontrol with cellular communication. It provides digital switching, precise dimming, and revenue grade metrology. Cell Connect leverage D4i drivers to communicate real-time data to UbiVu, a cloud-based asset management system.

Certification & Standards

- CSA Certified to US and Canadian standards
- Suitable for operation in an ambient temperature up to 40°C

Government Procurement

BAA – Buy America(n) Act: Product qualifies as a domestic end product under the Buy American Act as implemented in the FAR and DFARS. Product also qualifies as manufactured in the United States under DOT Buy America regulations.

BABA – Build America Buy America: Product qualifies as produced in the United States under the definitions of the Build America, Buy America Act.

Please refer to www.acuitybrands.com/resources/buy-american for additional information.

Warranty

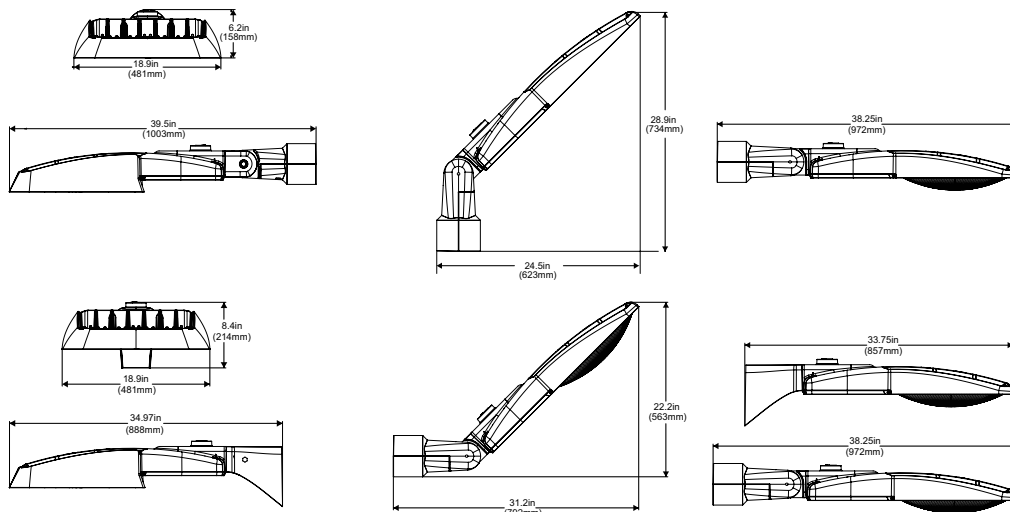
5-year limited warranty. This is the only warranty provided and no other statements in this specification sheet create any warranty of any kind. All other express and implied warranties are disclaimed. Complete warranty terms located at: www.acuitybrands.com/support/warranty/terms-and-conditions

Note: Actual performance may differ as a result of end-user environment and application.

All values are design or typical values, measured under laboratory conditions at 25°C



DIMENSIONAL DATA



Mounting/Optic	Tilt	Weight	EPA
VH	0°	35 lbs.	1.64 sq. ft.
VH with Refractor & US		44 lbs.	
VH	45°	35 lbs.	2.85 sq. ft.
VH with Refractor & US		44 lbs.	
UN	0°	31 lbs.	1.64 sq. ft.
UN with Refractor & US		38 lbs.	

ORDERING INFORMATION

Series	LED performance package				Color temperature		Voltage		Driver	
MGLEDM Mongoose Medium	P11	9500 Lumen Package	P21	19000 Lumen Package	27K	2700K CCT	MVOLT	Auto-sensing voltage (120 thru 277)	ZT	Zero to Ten Driver
	P12	11500 Lumen Package	P22	22000 Lumen Package	30K	3000K CCT			D4i	D4i Driver
	P13	13000 Lumen Package	P23	25000 Lumen Package	40K	4000K CCT	HVOLT347	HVOLT 347 Volt		
	P14	15200 Lumen Package	P24	28000 Lumen Package	50K	5000K CCT	HVOLT480	HVOLT 480 Volt		
	P15	18600 Lumen Package	P25	31000 Lumen Package			XVOLT277	XVOLT 277 Volt		
	P16	22000 Lumen Package	P26	34000 Lumen Package			XVOLT347	XVOLT 347 Volt		
	P17	26000 Lumen Package	P27	37000 Lumen Package			XVOLT480	XVOLT 480 Volt		
			P28	40500 Lumen Package						
			P29	44000 Lumen Package						
			P30	51000 Lumen Package						

Optics		Mounting		Super Durable Paint		Options							
AG	Area with Refractor	VH	Vertical Tenon/ Horizontal Arm	GRSD	Gray	<u>Top Receptacle</u>					<u>NEMA Label Options</u>		
AR	Area	UN	Universal (Rd. & Sq)	GHSD	Graphite	ZRT	Zhaga receptacle on top of fixture					NL	NEMA LABEL
FG	Forward Throw with Refractor			BKSD	Black	PR7	7-pin photocontrol receptacle					<u>Power Tray</u>	
FT	Forward Throw			GNSD	Green	NTR	No top receptacle					PT	Removable Power Tray
MG	Medium Roadway with Refractor			WHSD	White	<u>Receptacle Bottom</u>					<u>Shielding Options</u>		
MR	Medium Roadway			BZSD	Bronze	ZRB	Zhaga receptacle on bottom of fixture					US	Uplight Skirt
NG	Narrow Roadway with Refractor			DDBSD	Dark Bronze	NBR	No bottom receptacle					HSS	House Side Shield
NR	Narrow Roadway			<u>Adjustable/Programmable Options</u>					<u>Shorting Cap Option</u>				
WG	Wide Roadway with Refractor			AO	Field Adjustable Output					SH	SHORTING CAP		
WR	Wide Roadway			<u>Control Options</u>					PCLL DTL Extreme Long Life Twistlock Photocontrol for Solid State (20 year rated life)				
				<u>Embedded Control</u>					DZP Low Voltage Zhaga photocontrol				
		DDC DC Connect photocontrol. Requires D4i Driver and NBR					RSDGR ¹ nLight Air Occ. and daylight sensor						
		ALCB Local Connect Basic. Requires D4i driver & NBR					ALCF Local Connect Full. Requires D4i driver & NBR						
		ALCC Local Connect Custom. Requires D4i driver & NBR					UBC Cellular Network Lighting Control. Requires D4i driver & NTR						

Notes

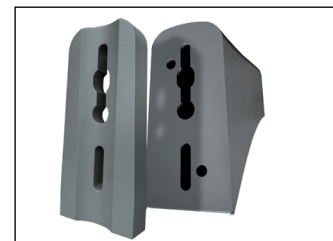
1 Not available with NL.

Accessories: Order as separate catalog number.	
<u>Wire Guard Kit</u>	
MGLEDM WG	Mongoose Medium Wire Guard Kit
<u>Light Trespass Shield</u>	
MGLEDM LTS	Mongoose Medium Light Trespass Shield
<u>Uplight Skirt</u>	
MGLEDM US GRSD	Mongoose Medium Uplight Skirt, Gray
MGLEDM US GHSD	Mongoose Medium Uplight Skirt, Graphite
MGLEDM US BKSD	Mongoose Medium Uplight Skirt, Black
MGLEDM US GNSD	Mongoose Medium Uplight Skirt, Green
MGLEDM US WHSD	Mongoose Medium Uplight Skirt, White
MGLEDM US BZSD	Mongoose Medium Uplight Skirt, Bronze
MGLEDM US DDBSD	Mongoose Medium Uplight Skirt, Dark Bronze
<u>House Side Shield</u>	
MGLEDM HSS 1LE	Mongoose Medium House Side Shield, 1 Light Engine
MGLEDM HSS 2LE	Mongoose Medium House Side Shield, 2 Light Engine
<u>Controls Training</u>	
LCTRAIN	Local Connect Remote Training; 1 day training provided by Acuity Services Team

MOUNTING OPTIONS



Vertical Tenon/Horizontal Arm Mount – VH
Attaches to 2" vertical tenon or horizontal mast arm (2 3/8" O.D.)



Universal Mount – UN
Attaches to square or 3" minimum round pole

OPTIONS MATRIX

MGLEDM		Driver		Photocontrols			Embedded Controls					Sensor	Receptacle Top			Receptacle Bottom		Other Options	
		ZT	D4I	PCLL	SH	DZP	DDC	ALCB	ALCF	ALCC	UBC	RSDGR	NTR	PR7	ZRT	NBR	ZRB	AO	NL
Driver	ZT			Y	Y	N	N	N	N	N	N	Y	Y	Y	N	Y	N	Y	Y
	D4I			Y	Y	Y	Y	Y	Y	Y	Y	N	Y	Y	Y	Y	Y	N	Y
Photocontrols	PCLL	Y	Y		N	N	N	N	N	N	N	N	N	Y	N	Y	Y	Y	Y
	SH	Y	Y	N		N	Y	Y	Y	Y	N	N	N	Y	N	Y	Y	Y	Y
	DZP	N	Y	N	N		N	N	N	N	N	N	N	N	Y	Y	Y	N	Y
Embedded Controls	DDC	N	Y	N	Y	N		N	N	N	N	N	Y	Y	Y	Y	N	N	N
	ALCB	N	Y	N	Y	N	N		N	N	N	N	Y	Y	Y	Y	N	N	N
	ALCF	N	Y	N	Y	N	N		N	N	N	Y	Y	Y	Y	N	N	N	
	ALCC	N	Y	N	Y	N	N	N		N	N	Y	Y	Y	Y	N	N	N	
Sensor	UBC	N	Y	N	N	N	N	N	N		N	Y	N	N	Y	Y	N	Y	
	RSDGR	Y	N	N	N	N	N	N	N	N		Y	N	N	Y	N	N	N	
Receptacle Top	NTR	Y	Y	N	N	N	Y	Y	Y	Y	Y				Y	Y	Y	Y	
	PR7	Y	Y	Y	Y	N	Y	Y	Y	Y	N	N			Y	Y	Y	Y	
	ZRT	N	Y	N	N	Y	Y	Y	Y	Y	N	N			Y	Y	N	Y	
Receptacle Bottom	NBR	Y	Y	Y	Y	Y	Y	Y	Y	Y	Y	Y	Y	Y			Y	Y	
	ZRB	N	Y	Y	Y	Y	N	N	N	Y	N	Y	Y	Y			N	Y	
Other Options	AO	Y	N	Y	Y	N	N	N	N	N	N	N	Y	Y	N	Y	N		Y
	NL	Y	Y	Y	Y	Y	N	N	N	N	Y	N	Y	Y	Y	Y	N	Y	

Y = Valid Option Combination
N = Combination Not available

D4i Driver Option Defaults

Setting	Receptacle Top	Receptacle Bottom	Embedded Control / Photocontrol	Default Value	Alternate Values
DALI Power Bus	NTR	NBR	none	ON	Off
	NTR	NBR	ALCB / ALCF / ALCC	ON	none
	NTR	NBR	DDC	ON	none
	NTR	ZRB	none	ON	Off
	NTR	NBR	UBC	ON	none
	NTR	ZRB	UBC	ON	none
	PR7	NBR	none	OFF	On
	PR7	NBR	ALCB / ALCF / ALCC	ON	none
	PR7	ZRB	none	OFF	On
	ZRT	NBR	none	ON	Off
	ZRT	NBR	ALCB / ALCF / ALCC	ON	none
	ZRT	NBR	DDC	ON	none
	ZRT	ZRB	none	ON	Off
	ZRT	NBR	DZP	ON	Off
ZRT	ZRB	DZP	ON	Off	
Dimming Type	All	All	Any	LINEAR	Logarithmic
24V AUX	All	All	Any	ON (Not Connected)	none
Scenes Data	All	All	Any	0 (blank)	01-255

*To program different settings, consult factory; RFD is required

PERFORMANCE DATA

Performance Package	Distribution	Input Watts	27K (2700K CCT, 70 CRI)					30K (3000K CCT, 70 CRI)					40K (4000K CCT, 70 CRI) 50K (5000K CCT, 70 CRI)					LLD @ 25°C		
			Lumens	LPW	B	U	G	Lumens	LPW	B	U	G	Lumens	LPW	B	U	G	50k Hours	75k Hours	100k Hours
P11	AG	60	9,464	156.6	3	2	1	9,886	163.6	3	2	1	10,248	169.6	3	2	1	0.96	0.95	0.94
	AR		10,060	166.5	3	0	2	10,509	173.9	3	0	2	10,893	180.3	3	0	2			
	FG		8,251	136.5	2	2	3	8,619	142.6	2	2	3	8,934	147.8	2	2	3			
	FT		8,774	145.2	2	0	3	9,165	151.7	2	0	3	9,501	157.2	2	0	3			
	MG		8,963	148.3	2	2	2	9,363	154.9	2	2	2	9,705	160.6	2	2	2			
	MR		9,494	157.1	2	0	2	9,918	164.1	2	0	2	10,281	170.1	2	0	2			
	NG		9,025	149.3	2	2	2	9,428	156.0	2	2	2	9,773	161.7	2	2	2			
	NR		9,476	156.8	2	0	1	9,899	163.8	2	0	1	10,261	169.8	2	0	2			
	WG		8,473	140.2	2	2	2	8,851	146.5	2	2	2	9,174	151.8	2	2	2			
	WR		8,904	147.3	2	0	2	9,301	153.9	2	0	2	9,641	159.5	2	0	2			
P12	AG	74	11,259	151.6	3	2	2	11,761	158.4	3	2	2	12,191	164.2	3	2	2	0.96	0.95	0.94
	AR		11,968	161.2	3	0	2	12,501	168.3	3	0	2	12,959	174.5	4	0	2			
	FG		9,815	132.2	2	2	3	10,253	138.1	2	3	3	10,628	143.1	2	3	3			
	FT		10,438	140.6	2	0	3	10,903	146.8	2	0	3	11,302	152.2	2	0	3			
	MG		10,662	143.6	2	2	2	11,138	150.0	2	2	2	11,545	155.5	2	2	2			
	MR		11,294	152.1	2	0	2	11,798	158.9	2	0	2	12,230	164.7	2	0	2			
	NG		10,737	144.6	3	2	2	11,215	151.0	3	2	2	11,626	156.6	3	2	2			
	NR		11,273	151.8	2	0	2	11,775	158.6	3	0	2	12,206	164.4	3	0	2			
	WG		10,079	135.7	2	2	2	10,529	141.8	2	2	2	10,914	147.0	2	2	2			
	WR		10,592	142.6	2	0	2	11,064	149.0	2	0	2	11,469	154.4	2	0	2			
P13	AG	82	12,924	157.0	3	2	2	13,500	164.0	3	2	2	13,994	170.0	3	2	2	0.96	0.95	0.94
	AR		13,737	166.9	4	0	2	14,350	174.3	4	0	2	14,875	180.7	4	0	2			
	FG		11,266	136.8	2	3	3	11,769	142.9	2	3	3	12,199	148.2	2	3	3			
	FT		11,981	145.5	2	0	3	12,515	152.0	2	0	3	12,973	157.6	2	0	3			
	MG		12,239	148.7	2	2	2	12,785	155.3	2	2	2	13,252	161.0	2	2	2			
	MR		12,964	157.5	2	0	2	13,543	164.5	2	0	2	14,038	170.5	2	0	2			
	NG		12,324	149.7	3	2	2	12,874	156.4	3	2	2	13,345	162.1	3	2	2			
	NR		12,940	157.2	3	0	2	13,517	164.2	3	0	2	14,011	170.2	3	0	2			
	WG		11,570	140.5	2	2	2	12,086	146.8	3	2	2	12,528	152.2	3	2	2			
	WR		12,158	147.7	2	0	2	12,700	154.3	2	0	2	13,165	159.9	2	0	2			
P14	AG	105	14,783	141.2	4	2	2	15,443	147.5	4	2	2	16,008	152.9	4	2	2	0.96	0.95	0.94
	AR		15,714	150.1	4	0	2	16,415	156.8	4	0	2	17,015	162.5	4	0	2			
	FG		12,888	123.1	2	3	3	13,462	128.6	2	3	3	13,955	133.3	2	3	3			
	FT		13,705	130.9	2	0	3	14,317	136.8	2	0	3	14,840	141.8	2	0	3			
	MG		14,000	133.7	2	2	2	14,625	139.7	2	2	2	15,160	144.8	2	2	2			
	MR		14,830	141.7	2	0	2	15,491	148.0	2	0	2	16,058	153.4	2	0	2			
	NG		14,098	134.7	3	2	2	14,726	140.7	3	2	2	15,265	145.8	3	2	2			
	NR		14,802	141.4	3	0	2	15,462	147.7	3	0	2	16,027	153.1	3	0	2			
	WG		13,235	126.4	3	2	3	13,825	132.1	3	2	3	14,331	136.9	3	2	3			
	WR		13,908	132.8	3	0	2	14,528	138.8	3	0	3	15,059	143.8	3	0	3			

PERFORMANCE DATA (continued)

Performance Package	Distribution	Input Watts	27K (2700K CCT, 70 CRI)					30K (3000K CCT, 70 CRI)					40K (4000K CCT, 70 CRI) 50K (5000K CCT, 70 CRI)					LLD @ 25°C		
			Lumens	LPW	B	U	G	Lumens	LPW	B	U	G	Lumens	LPW	B	U	G	50k Hours	75k Hours	100k Hours
P15	AG	121	18,306	150.7	4	2	2	19,122	157.5	4	2	2	19,822	163.2	4	2	2	0.96	0.95	0.94
	AR		19,459	160.2	4	0	2	20,326	167.4	4	0	2	21,070	173.5	4	0	2			
	FG		15,959	131.4	3	3	3	16,670	137.3	3	3	3	17,280	142.3	3	3	3			
	FT		16,971	139.7	2	0	3	17,728	146.0	3	0	4	18,377	151.3	3	0	4			
	MG		17,336	142.8	3	2	2	18,109	149.1	3	2	3	18,772	154.6	3	2	3			
	MR		18,364	151.2	3	0	3	19,183	158.0	3	0	3	19,885	163.7	3	0	3			
	NG		17,457	143.8	3	2	2	18,235	150.2	3	2	2	18,903	155.7	3	2	2			
	NR		18,329	150.9	3	0	2	19,146	157.7	3	0	2	19,847	163.4	3	0	2			
	WG		16,388	134.9	3	3	3	17,119	141.0	3	3	3	17,745	146.1	3	3	3			
	WR		17,222	141.8	3	0	3	17,990	148.1	3	0	3	18,648	153.6	3	0	3			
P16	AG	147	21,505	146.3	4	3	2	22,464	152.8	4	3	2	23,285	158.4	4	3	2	0.96	0.95	0.94
	AR		22,859	155.5	4	0	2	23,878	162.4	4	0	2	24,751	168.4	4	0	2			
	FG		18,747	127.5	3	3	4	19,583	133.2	3	3	4	20,299	138.1	3	3	4			
	FT		19,937	135.6	3	0	4	20,826	141.7	3	0	4	21,587	146.9	3	0	4			
	MG		20,366	138.5	3	2	3	21,274	144.7	3	3	3	22,052	150.0	3	3	3			
	MR		21,573	146.8	3	0	3	22,535	153.3	3	0	3	23,359	158.9	3	0	3			
	NG		20,507	139.5	3	2	3	21,422	145.7	3	2	3	22,205	151.1	3	2	3			
	NR		21,531	146.5	3	0	2	22,491	153.0	3	0	3	23,314	158.6	3	0	3			
	WG		19,252	131.0	3	3	3	20,110	136.8	3	3	3	20,846	141.8	3	3	3			
	WR		20,231	137.6	3	0	3	21,133	143.8	3	0	3	21,906	149.0	3	0	3			
P17	AG	178	25,227	141.6	4	3	2	26,351	147.9	4	3	2	27,315	153.3	4	3	2	0.93	0.91	0.89
	AR		26,815	150.5	5	0	3	28,010	157.2	5	0	3	29,035	162.9	5	0	3			
	FG		21,992	123.4	3	3	4	22,972	128.9	3	3	4	23,813	133.6	3	3	4			
	FT		23,387	131.2	3	0	4	24,430	137.1	3	0	4	25,324	142.1	3	0	4			
	MG		23,890	134.1	3	3	3	24,955	140.0	3	3	3	25,868	145.2	3	3	3			
	MR		25,307	142.0	3	0	3	26,435	148.3	3	0	3	27,402	153.8	3	0	3			
	NG		24,056	135.0	3	3	3	25,129	141.0	3	3	3	26,048	146.2	3	3	3			
	NR		25,258	141.7	3	0	3	26,384	148.1	3	0	3	27,349	153.5	3	0	3			
	WG		22,584	126.7	3	3	3	23,591	132.4	3	3	3	24,454	137.2	3	3	3			
	WR		23,732	133.2	3	0	3	24,790	139.1	3	0	3	25,697	144.2	3	0	3			

PERFORMANCE DATA (continued)

Performance Package	Distribution	Input Watts	27K (2700K CCT, 70 CRI)					30K (3000K CCT, 70 CRI)					40K (4000K CCT, 70 CRI) 50K (5000K CCT, 70 CRI)					LLD @ 25°C		
			Lumens	LPW	B	U	G	Lumens	LPW	B	U	G	Lumens	LPW	B	U	G	50k Hours	75k Hours	100k Hours
P21	AG	118	19,445	164.6	4	2	2	20,312	172.0	4	3	2	21,055	178.3	4	3	2	0.96	0.96	0.95
	AR		20,669	175.0	4	0	2	21,591	182.8	4	0	2	22,381	189.5	4	0	2			
	FG		16,951	143.5	3	3	3	17,707	149.9	3	3	3	18,355	155.4	3	3	4			
	FT		18,027	152.6	3	0	4	18,831	159.4	3	0	4	19,520	165.3	3	0	4			
	MG		18,415	155.9	3	2	3	19,236	162.9	3	2	3	19,940	168.8	3	2	3			
	MR		19,506	165.2	3	0	3	20,376	172.5	3	0	3	21,122	178.8	3	0	3			
	NG		18,543	157.0	3	2	2	19,370	164.0	3	2	3	20,078	170.0	3	2	3			
	NR		19,469	164.9	3	0	2	20,337	172.2	3	0	2	21,081	178.5	3	0	2			
	WG		17,408	147.4	3	3	3	18,184	154.0	3	3	3	18,849	159.6	3	3	3			
	WR		18,293	154.9	3	0	3	19,109	161.8	3	0	3	19,808	167.7	3	0	3			
P22	AG	139	22,514	161.6	4	3	2	23,518	168.8	4	3	2	24,378	175.0	4	3	2	0.96	0.96	0.95
	AR		23,931	171.8	4	0	2	24,998	179.4	4	0	2	25,913	186.0	5	0	3			
	FG		19,627	140.9	3	3	4	20,502	147.2	3	3	4	21,252	152.5	3	3	4			
	FT		20,872	149.8	3	0	4	21,803	156.5	3	0	4	22,600	162.2	3	0	4			
	MG		21,321	153.0	3	3	3	22,272	159.9	3	3	3	23,087	165.7	3	3	3			
	MR		22,585	162.1	3	0	3	23,592	169.3	3	0	3	24,455	175.5	3	0	3			
	NG		21,470	154.1	3	2	3	22,427	161.0	3	2	3	23,247	166.9	3	2	3			
	NR		22,542	161.8	3	0	3	23,547	169.0	3	0	3	24,408	175.2	3	0	3			
	WG		20,155	144.7	3	3	3	21,054	151.1	3	3	3	21,824	156.6	3	3	3			
	WR		21,180	152.0	3	0	3	22,124	158.8	3	0	3	22,934	164.6	3	0	3			
P23	AG	159	25,133	158.3	4	3	2	26,254	165.3	4	3	2	27,214	171.4	4	3	2	0.96	0.96	0.95
	AR		26,715	168.2	5	0	3	27,907	175.7	5	0	3	28,927	182.2	5	0	3			
	FG		21,910	138.0	3	3	4	22,887	144.1	3	3	4	23,724	149.4	3	3	4			
	FT		23,300	146.7	3	0	4	24,339	153.3	3	0	4	25,230	158.9	3	0	4			
	MG		23,802	149.9	3	3	3	24,863	156.6	3	3	3	25,773	162.3	3	3	3			
	MR		25,213	158.8	3	0	3	26,337	165.9	3	0	3	27,300	171.9	3	0	3			
	NG		23,967	150.9	3	3	3	25,036	157.7	3	3	3	25,952	163.4	3	3	3			
	NR		25,164	158.5	3	0	3	26,286	165.5	3	0	3	27,248	171.6	3	0	3			
	WG		22,500	141.7	3	3	3	23,503	148.0	3	3	3	24,363	153.4	3	3	3			
	WR		23,644	148.9	3	0	3	24,698	155.5	3	0	3	25,602	161.2	3	0	3			
P24	AG	181	28,058	155.2	4	3	2	29,309	162.1	4	3	2	30,382	168.0	5	3	3	0.96	0.96	0.95
	AR		29,825	165.0	5	0	3	31,155	172.3	5	0	3	32,294	178.6	5	0	3			
	FG		24,460	135.3	3	3	4	25,551	141.3	3	3	4	26,486	146.5	3	3	4			
	FT		26,012	143.9	3	0	4	27,172	150.3	3	0	5	28,166	155.8	3	0	5			
	MG		26,572	147.0	3	3	3	27,757	153.5	3	3	3	28,772	159.1	3	3	3			
	MR		28,147	155.7	3	0	3	29,402	162.6	3	0	3	30,478	168.6	3	0	3			
	NG		26,757	148.0	4	3	3	27,950	154.6	4	3	3	28,972	160.2	4	3	3			
	NR		28,093	155.4	3	0	3	29,346	162.3	4	0	3	30,419	168.2	4	0	3			
	WG		25,119	138.9	3	3	3	26,239	145.1	3	3	3	27,199	150.4	3	3	3			
	WR		26,396	146.0	3	0	3	27,573	152.5	3	0	3	28,582	158.1	3	0	3			
P25	AG	208	30,923	148.9	5	3	3	32,302	155.5	5	3	3	33,483	161.2	5	3	3	0.96	0.96	0.95
	AR		32,870	158.3	5	0	3	34,335	165.3	5	0	3	35,591	171.4	5	0	3			
	FG		26,958	129.8	3	3	4	28,159	135.6	3	3	5	29,190	140.5	3	3	5			
	FT		28,668	138.0	3	0	5	29,946	144.2	3	0	5	31,042	149.5	3	0	5			
	MG		29,285	141.0	3	3	3	30,591	147.3	3	3	3	31,710	152.7	3	3	3			
	MR		31,021	149.4	3	0	3	32,404	156.0	3	0	3	33,589	161.7	3	0	4			
	NG		29,489	142.0	4	3	3	30,803	148.3	4	3	3	31,930	153.7	4	3	3			
	NR		30,961	149.1	4	0	3	32,342	155.7	4	0	3	33,525	161.4	4	0	3			
	WG		27,683	133.3	3	3	3	28,918	139.2	3	3	4	29,976	144.3	3	3	4			
	WR		29,091	140.1	3	0	3	30,388	146.3	3	0	3	31,500	151.7	3	0	4			

PERFORMANCE DATA (continued)

Performance Package	Distribution	Input Watts	27K (2700K CCT, 70 CRI)					30K (3000K CCT, 70 CRI)					40K (4000K CCT, 70 CRI) 50K (5000K CCT, 70 CRI)					LLD @ 25°C		
			Lumens	LPW	B	U	G	Lumens	LPW	B	U	G	Lumens	LPW	B	U	G	50k Hours	75k Hours	100k Hours
P26	AG	233	33,953	145.4	5	3	3	35,467	151.9	5	3	3	36,765	157.5	5	3	3	0.96	0.96	0.95
	AR		36,091	154.6	5	0	3	37,700	161.5	5	0	4	39,080	167.4	5	0	4			
	FG		29,599	126.8	3	3	5	30,919	132.4	3	3	5	32,050	137.3	3	3	5			
	FT		31,478	134.8	3	0	5	32,881	140.8	3	0	5	34,084	146.0	3	0	5			
	MG		32,155	137.7	3	3	3	33,589	143.9	3	3	3	34,817	149.1	3	3	3			
	MR		34,061	145.9	3	0	4	35,580	152.4	3	0	4	36,881	158.0	3	0	4			
	NG		32,379	138.7	4	3	3	33,822	144.9	4	3	3	35,060	150.2	4	3	3			
	NR		33,996	145.6	4	0	3	35,511	152.1	4	0	3	36,811	157.7	4	0	3			
	WG		30,397	130.2	4	3	4	31,752	136.0	4	3	4	32,914	141.0	4	3	4			
	WR		31,942	136.8	3	0	4	33,366	142.9	3	0	4	34,587	148.1	4	0	4			
P27	AG	250	36,680	146.9	5	3	3	38,316	153.4	5	3	3	39,717	159.1	5	3	3	0.96	0.96	0.95
	AR		38,989	156.1	5	0	4	40,728	163.1	5	0	4	42,218	169.1	5	0	4			
	FG		31,976	128.1	3	3	5	33,402	133.8	4	3	5	34,624	138.7	4	3	5			
	FT		34,006	136.2	3	0	5	35,522	142.3	3	0	5	36,821	147.5	4	0	5			
	MG		34,737	139.1	3	3	3	36,286	145.3	4	3	3	37,613	150.6	4	3	3			
	MR		36,796	147.4	3	0	4	38,437	153.9	3	0	4	39,843	159.6	4	0	4			
	NG		34,979	140.1	4	3	3	36,538	146.3	4	3	3	37,875	151.7	4	3	3			
	NR		36,726	147.1	4	0	3	38,363	153.6	4	0	3	39,767	159.3	4	0	3			
	WG		32,838	131.5	4	3	4	34,302	137.4	4	3	4	35,557	142.4	4	3	4			
	WR		34,507	138.2	4	0	4	36,046	144.4	4	0	4	37,365	149.6	4	0	4			
P28	AG	281	39,718	141.5	5	3	3	41,489	147.8	5	3	3	43,006	153.2	5	3	3	0.96	0.95	0.93
	AR		42,218	150.4	5	0	4	44,101	157.1	5	0	4	45,714	162.9	5	0	4			
	FG		34,624	123.3	4	3	5	36,168	128.8	4	3	5	37,491	133.6	4	3	5			
	FT		36,822	131.2	4	0	5	38,463	137.0	4	0	5	39,871	142.0	4	0	5			
	MG		37,614	134.0	4	3	3	39,291	140.0	4	3	4	40,728	145.1	4	3	4			
	MR		39,844	141.9	4	0	4	41,620	148.3	4	0	4	43,143	153.7	4	0	4			
	NG		37,875	134.9	4	3	3	39,564	140.9	4	3	3	41,012	146.1	4	3	3			
	NR		39,767	141.7	4	0	3	41,540	148.0	4	0	3	43,060	153.4	4	0	3			
	WG		35,557	126.7	4	3	4	37,142	132.3	4	3	4	38,501	137.2	4	3	4			
	WR		37,365	133.1	4	0	4	39,031	139.0	4	0	4	40,459	144.1	4	0	4			
P29	AG	328	44,949	137.2	5	3	4	46,953	143.4	5	3	4	48,670	148.6	5	3	4	0.96	0.95	0.93
	AR		47,778	145.9	5	0	4	49,909	152.4	5	0	4	51,735	158.0	5	0	4			
	FG		39,185	119.6	4	3	5	40,932	125.0	4	3	5	42,429	129.6	4	3	5			
	FT		41,671	127.2	4	0	5	43,529	132.9	4	0	5	45,122	137.8	4	0	5			
	MG		42,568	130.0	4	3	4	44,466	135.8	4	3	4	46,092	140.7	4	3	4			
	MR		45,091	137.7	4	0	4	47,101	143.8	4	0	4	48,825	149.1	4	0	4			
	NG		42,864	130.9	4	3	3	44,775	136.7	4	3	4	46,413	141.7	4	3	4			
	NR		45,004	137.4	4	0	4	47,011	143.5	4	0	4	48,731	148.8	4	0	4			
	WG		40,240	122.9	4	3	4	42,034	128.3	4	3	4	43,572	133.0	4	3	5			
	WR		42,286	129.1	4	0	4	44,171	134.9	4	0	4	45,787	139.8	4	0	4			
P30	AG	368	49,944	135.9	5	3	4	52,171	141.9	5	3	4	54,080	147.1	5	3	4	0.93	0.91	0.88
	AR		53,089	144.4	5	0	4	55,456	150.8	5	0	4	57,485	156.4	5	0	4			
	FG		43,540	118.4	4	3	5	45,481	123.7	4	3	5	47,145	128.2	4	3	5			
	FT		46,303	126.0	4	0	5	48,367	131.6	4	0	5	50,137	136.4	4	0	5			
	MG		47,299	128.7	4	3	4	49,408	134.4	4	3	4	51,215	139.3	4	3	4			
	MR		50,103	136.3	4	0	4	52,336	142.4	4	0	5	54,251	147.6	4	0	5			
	NG		47,628	129.6	4	3	4	49,751	135.3	4	3	4	51,571	140.3	4	3	4			
	NR		50,006	136.0	4	0	4	52,236	142.1	4	0	4	54,147	147.3	4	0	4			
	WG		44,712	121.6	4	3	5	46,706	127.0	4	3	5	48,415	131.7	4	3	5			
	WR		46,986	127.8	4	0	4	49,081	133.5	4	0	5	50,876	138.4	4	0	5			

PERFORMANCE DATA – US Option - Uplight Skirt

Performance Package	Distribution	Input Watts	27K (2700K CCT, 70 CRI)					30K (3000K CCT, 70 CRI)					40K (4000K CCT, 70 CRI) 50K (5000K CCT, 70 CRI)					LLD @ 25°C		
			Lumens	LPW	B	U	G	Lumens	LPW	B	U	G	Lumens	LPW	B	U	G	50k Hours	75k Hours	100k Hours
P11	AG	60	8,283	137.1	3	0	1	8,652	143.2	3	0	1	8,969	148.4	3	0	1	0.96	0.95	0.94
	AR		9,047	149.7	3	0	1	9,450	156.4	3	0	1	9,796	162.1	3	0	1			
	FG		7,833	129.6	2	0	2	8,183	135.4	2	0	2	8,482	140.4	2	0	2			
	FT		8,246	136.5	2	0	2	8,613	142.5	2	0	2	8,928	147.7	2	0	2			
	MG		8,239	136.3	2	0	1	8,606	142.4	2	0	1	8,921	147.6	2	0	1			
	MR		8,733	144.5	2	0	1	9,123	151.0	2	0	2	9,457	156.5	2	0	2			
	NG		8,424	139.4	2	0	1	8,799	145.6	2	0	1	9,121	150.9	2	0	1			
	NR		9,013	149.1	2	0	1	9,415	155.8	2	0	1	9,759	161.5	2	0	1			
	WG		7,881	130.4	2	0	1	8,232	136.2	2	0	1	8,533	141.2	2	0	2			
	WR		8,261	136.7	2	0	1	8,629	142.8	2	0	2	8,945	148.0	2	0	2			
P12	AG	74	9,853	132.7	3	0	1	10,293	138.6	3	0	1	10,669	143.7	3	0	1	0.96	0.95	0.94
	AR		10,762	144.9	3	0	2	11,242	151.4	3	0	2	11,653	156.9	3	0	2			
	FG		9,319	125.5	2	0	2	9,734	131.1	2	0	2	10,090	135.9	2	0	2			
	FT		9,809	132.1	2	0	2	10,246	138.0	2	0	2	10,621	143.0	2	0	2			
	MG		9,801	132.0	2	0	2	10,237	137.9	2	0	2	10,612	142.9	2	0	2			
	MR		10,389	139.9	2	0	2	10,852	146.1	2	0	2	11,249	151.5	2	0	2			
	NG		10,021	134.9	2	0	1	10,468	141.0	3	0	1	10,851	146.1	3	0	1			
	NR		10,722	144.4	2	0	1	11,200	150.8	3	0	1	11,609	156.3	3	0	1			
	WG		9,375	126.2	2	0	2	9,793	131.9	2	0	2	10,151	136.7	2	0	2			
	WR		9,827	132.3	2	0	2	10,266	138.2	2	0	2	10,641	143.3	2	0	2			
P13	AG	82	11,310	137.4	3	0	1	11,815	143.5	3	0	2	12,247	148.8	3	0	2	0.96	0.95	0.94
	AR		12,353	150.0	3	0	2	12,904	156.7	3	0	2	13,376	162.5	3	0	2			
	FG		10,697	129.9	2	0	2	11,173	135.7	2	0	2	11,582	140.7	2	0	2			
	FT		11,259	136.8	2	0	2	11,761	142.9	2	0	2	12,192	148.1	2	0	2			
	MG		11,250	136.6	2	0	2	11,751	142.7	2	0	2	12,181	148.0	2	0	2			
	MR		11,925	144.8	2	0	2	12,457	151.3	2	0	2	12,913	156.8	2	0	2			
	NG		11,503	139.7	3	0	1	12,015	145.9	3	0	1	12,455	151.3	3	0	1			
	NR		12,307	149.5	3	0	2	12,856	156.2	3	0	2	13,326	161.9	3	0	2			
	WG		10,761	130.7	2	0	2	11,241	136.5	3	0	2	11,652	141.5	3	0	2			
	WR		11,280	137.0	2	0	2	11,783	143.1	2	0	2	12,215	148.4	2	0	2			
P14	AG	105	12,938	123.6	3	0	2	13,515	129.1	3	0	2	14,009	133.8	3	0	2	0.96	0.95	0.94
	AR		14,131	135.0	4	0	2	14,761	141.0	4	0	2	15,301	146.2	4	0	2			
	FG		12,236	116.9	2	0	2	12,781	122.1	2	0	2	13,249	126.6	2	0	2			
	FT		12,880	123.0	2	0	2	13,454	128.5	2	0	2	13,946	133.2	2	0	2			
	MG		12,869	122.9	2	0	2	13,442	128.4	2	0	2	13,934	133.1	2	0	2			
	MR		13,642	130.3	2	0	2	14,250	136.1	2	0	2	14,771	141.1	2	0	2			
	NG		13,158	125.7	3	0	1	13,745	131.3	3	0	2	14,247	136.1	3	0	2			
	NR		14,078	134.5	3	0	2	14,706	140.5	3	0	2	15,244	145.6	3	0	2			
	WG		12,310	117.6	3	0	2	12,859	122.8	3	0	2	13,329	127.3	3	0	2			
	WR		12,904	123.3	3	0	2	13,479	128.8	3	0	2	13,972	133.5	3	0	2			

PERFORMANCE DATA – US Option - Uplight Skirt (continued)

Performance Package	Distribution	Input Watts	27K (2700K CCT, 70 CRI)					30K (3000K CCT, 70 CRI)					40K (4000K CCT, 70 CRI) 50K (5000K CCT, 70 CRI)					LLD @ 25°C		
			Lumens	LPW	B	U	G	Lumens	LPW	B	U	G	Lumens	LPW	B	U	G	50k Hours	75k Hours	100k Hours
P15	AG	121	16,021	131.9	3	0	2	16,735	137.8	4	0	2	17,348	142.9	4	0	2	0.96	0.95	0.94
	AR		17,499	144.1	4	0	2	18,279	150.5	4	0	2	18,947	156.0	4	0	2			
	FG		15,152	124.8	3	0	2	15,827	130.3	3	0	2	16,406	135.1	3	0	2			
	FT		15,949	131.3	3	0	2	16,660	137.2	3	0	2	17,270	142.2	3	0	3			
	MG		15,935	131.2	3	0	2	16,646	137.1	3	0	2	17,255	142.1	3	0	2			
	MR		16,892	139.1	2	0	2	17,646	145.3	3	0	2	18,291	150.6	3	0	2			
	NG		16,293	134.2	3	0	2	17,020	140.2	3	0	2	17,643	145.3	3	0	2			
	NR		17,433	143.6	3	0	2	18,210	150.0	3	0	2	18,876	155.4	3	0	2			
	WG		15,243	125.5	3	0	2	15,923	131.1	3	0	2	16,505	135.9	3	0	2			
	WR		15,979	131.6	3	0	2	16,691	137.4	3	0	2	17,302	142.5	3	0	2			
P16	AG	147	18,820	128.0	4	0	2	19,659	133.7	4	0	2	20,379	138.6	4	0	2	0.96	0.95	0.94
	AR		20,556	139.8	4	0	2	21,472	146.1	4	0	2	22,258	151.4	4	0	2			
	FG		17,799	121.1	3	0	2	18,593	126.5	3	0	2	19,273	131.1	3	0	2			
	FT		18,736	127.5	3	0	3	19,571	133.1	3	0	3	20,287	138.0	3	0	3			
	MG		18,719	127.3	3	0	2	19,554	133.0	3	0	3	20,269	137.9	3	0	3			
	MR		19,844	135.0	3	0	3	20,729	141.0	3	0	3	21,487	146.2	3	0	3			
	NG		19,140	130.2	3	0	2	19,994	136.0	3	0	2	20,725	141.0	3	0	2			
	NR		20,479	139.3	3	0	2	21,392	145.5	3	0	2	22,175	150.9	3	0	2			
	WG		17,907	121.8	3	0	3	18,705	127.2	3	0	3	19,389	131.9	3	0	3			
	WR		18,771	127.7	3	0	3	19,608	133.4	3	0	3	20,325	138.3	3	0	3			
P17	AG	178	22,078	123.9	4	0	2	23,062	129.4	4	0	2	23,906	134.2	4	0	2	0.93	0.91	0.89
	AR		24,114	135.3	4	0	2	25,189	141.4	4	0	2	26,110	146.5	4	0	2			
	FG		20,880	117.2	3	0	3	21,810	122.4	3	0	3	22,608	126.9	3	0	3			
	FT		21,978	123.3	3	0	3	22,958	128.8	3	0	3	23,798	133.5	3	0	3			
	MG		21,959	123.2	3	0	3	22,938	128.7	3	0	3	23,777	133.4	3	0	3			
	MR		23,278	130.6	3	0	3	24,316	136.5	3	0	3	25,206	141.4	3	0	3			
	NG		22,453	126.0	3	0	2	23,454	131.6	3	0	2	24,312	136.4	3	0	2			
	NR		24,023	134.8	3	0	2	25,094	140.8	3	0	2	26,012	146.0	3	0	2			
	WG		21,006	117.9	3	0	3	21,942	123.1	3	0	3	22,745	127.6	3	0	3			
	WR		22,019	123.6	3	0	3	23,001	129.1	3	0	3	23,843	133.8	3	0	3			

PERFORMANCE DATA – US Option - Uplight Skirt (continued)

Performance Package	Distribution	Input Watts	27K (2700K CCT, 70 CRI)					30K (3000K CCT, 70 CRI)					40K (4000K CCT, 70 CRI) 50K (5000K CCT, 70 CRI)					LLD @ 25°C			
			Lumens	LPW	B	U	G	Lumens	LPW	B	U	G	Lumens	LPW	B	U	G	50k Hours	75k Hours	100k Hours	
P21	AG	118	17,018	144.1	4	0	2	17,776	150.5	4	0	2	18,427	156.0	4	0	2	0.96	0.96	0.95	
			AR	18,587	157.4	4	0	2	19,416	164.4	4	0	2	20,126	170.4	4	0				2
			FG	16,094	136.3	3	0	2	16,812	142.4	3	0	2	17,427	147.6	3	0				2
			FT	16,941	143.4	3	0	2	17,696	149.8	3	0	3	18,344	155.3	3	0				3
			MG	16,926	143.3	3	0	2	17,681	149.7	3	0	2	18,328	155.2	3	0				2
			MR	17,943	151.9	3	0	2	18,743	158.7	3	0	2	19,429	164.5	3	0				3
			NG	17,307	146.5	3	0	2	18,078	153.1	3	0	2	18,740	158.7	3	0				2
			NR	18,517	156.8	3	0	2	19,343	163.8	3	0	2	20,051	169.8	3	0				2
			WG	16,191	137.1	3	0	2	16,913	143.2	3	0	2	17,532	148.5	3	0				3
			WR	16,973	143.7	3	0	2	17,729	150.1	3	0	2	18,378	155.6	3	0				3
P22	AG	139	19,703	141.4	4	0	2	20,582	147.7	4	0	2	21,335	153.1	4	0	2	0.96	0.96	0.95	
			AR	21,521	154.5	4	0	2	22,480	161.4	4	0	2	23,302	167.3	4	0				2
			FG	18,634	133.7	3	0	2	19,465	139.7	3	0	2	20,177	144.8	3	0				3
			FT	19,615	140.8	3	0	3	20,489	147.1	3	0	3	21,239	152.4	3	0				3
			MG	19,598	140.7	3	0	3	20,472	146.9	3	0	3	21,221	152.3	3	0				3
			MR	20,775	149.1	3	0	3	21,701	155.8	3	0	3	22,495	161.5	3	0				3
			NG	20,038	143.8	3	0	2	20,932	150.2	3	0	2	21,698	155.7	3	0				2
			NR	21,440	153.9	3	0	2	22,396	160.8	3	0	2	23,215	166.6	3	0				2
			WG	18,747	134.6	3	0	3	19,583	140.6	3	0	3	20,299	145.7	3	0				3
			WR	19,651	141.0	3	0	3	20,528	147.3	3	0	3	21,279	152.7	3	0				3
P23	AG	159	21,996	138.5	4	0	2	22,976	144.7	4	0	2	23,817	150.0	4	0	2	0.96	0.96	0.95	
			AR	24,024	151.3	4	0	2	25,095	158.0	4	0	2	26,013	163.8	4	0				2
			FG	20,802	131.0	3	0	3	21,730	136.8	3	0	3	22,525	141.8	3	0				3
			FT	21,897	137.9	3	0	3	22,873	144.0	3	0	3	23,710	149.3	3	0				3
			MG	21,878	137.8	3	0	3	22,853	143.9	3	0	3	23,689	149.2	3	0				3
			MR	23,192	146.0	3	0	3	24,226	152.6	3	0	3	25,112	158.1	3	0				3
			NG	22,370	140.9	3	0	2	23,367	147.1	3	0	2	24,222	152.5	3	0				2
			NR	23,934	150.7	3	0	2	25,001	157.4	3	0	2	25,916	163.2	3	0				2
			WG	20,928	131.8	3	0	3	21,861	137.7	3	0	3	22,661	142.7	3	0				3
			WR	21,938	138.1	3	0	3	22,916	144.3	3	0	3	23,754	149.6	3	0				3
P24	AG	181	24,556	135.8	4	0	2	25,651	141.9	4	0	2	26,589	147.1	4	0	2	0.96	0.96	0.95	
			AR	26,820	148.3	4	0	2	28,016	155.0	5	0	3	29,041	160.6	5	0				3
			FG	23,223	128.4	3	0	3	24,259	134.2	3	0	3	25,146	139.1	3	0				3
			FT	24,445	135.2	3	0	3	25,535	141.2	3	0	4	26,470	146.4	3	0				4
			MG	24,424	135.1	3	0	3	25,513	141.1	3	0	3	26,447	146.3	3	0				3
			MR	25,891	143.2	3	0	3	27,046	149.6	3	0	3	28,035	155.1	3	0				3
			NG	24,973	138.1	3	0	2	26,087	144.3	4	0	2	27,041	149.6	4	0				2
			NR	26,720	147.8	3	0	2	27,911	154.4	3	0	2	28,932	160.0	4	0				2
			WG	23,364	129.2	3	0	3	24,405	135.0	3	0	3	25,298	139.9	3	0				3
			WR	24,491	135.5	3	0	3	25,583	141.5	3	0	3	26,519	146.7	3	0				3
P25	AG	208	27,063	130.3	4	0	2	28,270	136.1	4	0	2	29,304	141.1	5	0	2	0.96	0.96	0.95	
			AR	29,559	142.3	5	0	3	30,877	148.7	5	0	3	32,006	154.1	5	0				3
			FG	25,594	123.2	3	0	3	26,735	128.7	3	0	3	27,713	133.4	3	0				3
			FT	26,941	129.7	3	0	4	28,142	135.5	3	0	4	29,172	140.5	3	0				4
			MG	26,918	129.6	3	0	3	28,118	135.4	3	0	3	29,147	140.3	3	0				3
			MR	28,535	137.4	3	0	3	29,807	143.5	3	0	3	30,897	148.8	3	0				3
			NG	27,523	132.5	4	0	2	28,750	138.4	4	0	2	29,802	143.5	4	0				2
			NR	29,448	141.8	4	0	2	30,761	148.1	4	0	2	31,886	153.5	4	0				2
			WG	25,749	124.0	3	0	3	26,897	129.5	3	0	3	27,881	134.2	3	0				3
			WR	26,991	130.0	3	0	3	28,195	135.7	3	0	3	29,226	140.7	3	0				3

PERFORMANCE DATA – US Option - Uplight Skirt (continued)

Performance Package	Distribution	Input Watts	27K (2700K CCT, 70 CRI)					30K (3000K CCT, 70 CRI)					40K (4000K CCT, 70 CRI) 50K (5000K CCT, 70 CRI)					LLD @ 25°C		
			Lumens	LPW	B	U	G	Lumens	LPW	B	U	G	Lumens	LPW	B	U	G	50k Hours	75k Hours	100k Hours
P26	AG	233	29,715	127.3	5	0	2	31,040	133.0	5	0	2	32,176	137.8	5	0	2	0.96	0.96	0.95
	AR		32,456	139.0	5	0	3	33,903	145.2	5	0	3	35,143	150.5	5	0	3			
	FG		28,103	120.4	3	0	3	29,356	125.7	3	0	3	30,430	130.3	4	0	4			
	FT		29,581	126.7	3	0	4	30,900	132.4	3	0	4	32,031	137.2	4	0	4			
	MG		29,556	126.6	3	0	3	30,874	132.2	3	0	3	32,003	137.1	3	0	3			
	MR		31,331	134.2	3	0	3	32,728	140.2	3	0	3	33,925	145.3	3	0	3			
	NG		30,220	129.4	4	0	2	31,568	135.2	4	0	2	32,723	140.2	4	0	2			
	NR		32,334	138.5	4	0	2	33,775	144.7	4	0	3	35,011	150.0	4	0	3			
	WG		28,272	121.1	4	0	3	29,533	126.5	4	0	3	30,613	131.1	4	0	3			
	WR		29,637	126.9	3	0	3	30,958	132.6	3	0	3	32,091	137.5	4	0	3			
P27	AG	250	32,101	128.6	5	0	2	33,533	134.3	5	0	3	34,760	139.2	5	0	3	0.96	0.96	0.95
	AR		35,062	140.4	5	0	3	36,625	146.7	5	0	3	37,965	152.0	5	0	3			
	FG		30,359	121.6	4	0	3	31,713	127.0	4	0	4	32,873	131.6	4	0	4			
	FT		31,957	128.0	4	0	4	33,382	133.7	4	0	4	34,603	138.6	4	0	4			
	MG		31,929	127.9	3	0	3	33,353	133.6	4	0	3	34,573	138.5	4	0	3			
	MR		33,847	135.5	3	0	3	35,356	141.6	3	0	3	36,650	146.8	4	0	3			
	NG		32,647	130.7	4	0	2	34,103	136.6	4	0	2	35,350	141.6	4	0	3			
	NR		34,930	139.9	4	0	3	36,488	146.1	4	0	3	37,823	151.5	4	0	3			
	WG		30,543	122.3	4	0	3	31,905	127.8	4	0	3	33,072	132.4	4	0	3			
	WR		32,017	128.2	4	0	3	33,444	133.9	4	0	3	34,668	138.8	4	0	3			
P28	AG	281	34,760	123.8	5	0	3	36,310	129.4	5	0	3	37,638	134.1	5	0	3	0.96	0.95	0.93
	AR		37,965	135.3	5	0	3	39,658	141.3	5	0	3	41,109	146.5	5	0	3			
	FG		32,873	117.1	4	0	4	34,339	122.3	4	0	4	35,595	126.8	4	0	4			
	FT		34,603	123.3	4	0	4	36,146	128.8	4	0	4	37,469	133.5	4	0	4			
	MG		34,573	123.2	4	0	3	36,115	128.7	4	0	3	37,436	133.4	4	0	3			
	MR		36,650	130.6	4	0	3	38,284	136.4	4	0	4	39,685	141.4	4	0	4			
	NG		35,351	125.9	4	0	3	36,927	131.6	4	0	3	38,278	136.4	4	0	3			
	NR		37,823	134.7	4	0	3	39,509	140.8	4	0	3	40,955	145.9	4	0	3			
	WG		33,072	117.8	4	0	3	34,547	123.1	4	0	3	35,811	127.6	4	0	3			
	WR		34,668	123.5	4	0	3	36,214	129.0	4	0	4	37,539	133.7	4	0	4			
P29	AG	328	39,338	120.1	5	0	3	41,092	125.5	5	0	3	42,595	130.1	5	0	3	0.96	0.95	0.93
	AR		42,966	131.2	5	0	4	44,881	137.0	5	0	4	46,523	142.1	5	0	4			
	FG		37,203	113.6	4	0	4	38,862	118.7	4	0	4	40,283	123.0	4	0	4			
	FT		39,161	119.6	4	0	4	40,907	124.9	4	0	5	42,403	129.5	4	0	5			
	MG		39,127	119.5	4	0	3	40,871	124.8	4	0	3	42,367	129.4	4	0	4			
	MR		41,477	126.6	4	0	4	43,326	132.3	4	0	4	44,912	137.1	4	0	4			
	NG		40,006	122.2	4	0	3	41,790	127.6	4	0	3	43,319	132.3	4	0	3			
	NR		42,804	130.7	4	0	3	44,713	136.5	4	0	3	46,349	141.5	4	0	3			
	WG		37,428	114.3	4	0	3	39,096	119.4	4	0	3	40,527	123.7	4	0	3			
	WR		39,234	119.8	4	0	4	40,983	125.1	4	0	4	42,483	129.7	4	0	4			
P30	AG	368	43,710	118.9	5	0	3	45,659	124.2	5	0	3	47,329	128.7	5	0	3	0.93	0.91	0.88
	AR		47,741	129.9	5	0	4	49,869	135.6	5	0	4	51,694	140.6	5	0	4			
	FG		41,338	112.4	4	0	4	43,181	117.5	4	0	4	44,761	121.8	4	0	4			
	FT		43,513	118.4	4	0	5	45,453	123.6	4	0	5	47,116	128.2	4	0	5			
	MG		43,475	118.3	4	0	4	45,414	123.5	4	0	4	47,075	128.0	4	0	4			
	MR		46,087	125.4	4	0	4	48,142	131.0	4	0	4	49,903	135.7	4	0	4			
	NG		44,453	120.9	4	0	3	46,435	126.3	4	0	3	48,134	130.9	4	0	3			
	NR		47,562	129.4	4	0	3	49,682	135.1	4	0	3	51,500	140.1	4	0	4			
	WG		41,588	113.1	4	0	4	43,442	118.2	4	0	4	45,031	122.5	4	0	4			
	WR		43,594	118.6	4	0	4	45,538	123.9	4	0	4	47,204	128.4	4	0	4			