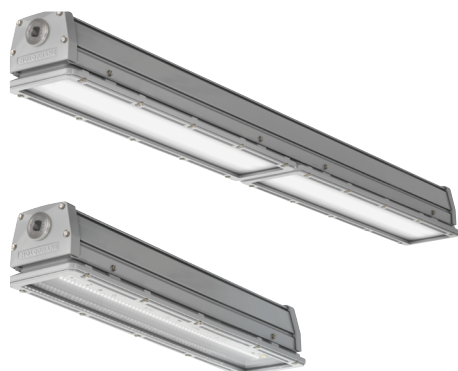


|                |      |
|----------------|------|
| Catalog Number |      |
| Notes          | Type |

# Petrolux® EMXH LED

Hazardous Location for Demanding Environments



## FEATURES & SPECIFICATIONS

Certain airborne contaminants can diminish the integrity of acrylic and/or polycarbonate. [Click here for Acrylic-Polycarbonate Compatibility table for suitable use.](#)

Certain airborne contaminants may adversely affect the functioning of LEDs and other electronic components, depending on various factors such as concentrations of the contaminants, ventilation, and temperature at the end-user location. [Click here for a list of substances that may not be suitable for interaction with LEDs and other electronic components.](#)

### ENCLOSED CONSTRUCTION:

- Cast & Extruded Aluminum - Polyester Powder Coated
- 18-8 Stainless Steel Hardware
- 304 Stainless steel mounting bracket
- Molded Silicone Gasketing
- 3/4" threaded NPT end-caps standard
- Corrosion resistant super durable TGIC thermoset powder coat finish is a five-stage pre-treating and painting process that yields over 5,000 hours salt rating per ASTM B117.

### OPTICS & LENS:

- Clear & Frosted Polycarbonate, .125" thick
- Clear & Frosted Tempered Glass, .125" thick

### ELECTRICAL:

- MVOLT (120-277V)
- HVOLT (347-480V)
- 0-10V, 10% Dimming

### INSTALLATION:

- Angle (wall or ceiling) with optional RMBA
- Pole (1½" trade size pipe) with optional RMBU
- Surface (ceiling) with standard mounting bracket or optional RMBK
- Surface (wall) with optional RMBK
- Suspended (chain or cable) with standard mounting bracket or optional RMBK

## LISTING & RATINGS:

- CSA certified to meet US and Canadian standards
- Suitable for use in hazardous locations (CSA C22.2 No.137-18, UL844)
- Class I, Division 2, Group A, B, C, and D
- Class II, Division 2, Group F and G
- Class III
- Zone Equivalency Markings (see chart on page 5)
- IP65, IP66, IP69K rated per IEC60529
- IP67 rated with optional gasket kit
- IK rated (see chart on page 5)
- 1G vibration rating with standard mounting bracket
- 3G vibration rating with optional rigid mount bracket (RMBK) per ANSI C136.31 (see "Option Value Ordering Restrictions and Notes" on page 2 for details)
- FCC Title 47, Part 15, Subpart B
- 10kV/6kA Surge Rated per ANSI C82.77-5-2015
- -40°F (-40°C) to 140°F (60°C) ambient rating. (see chart on page 5)
- U.S. Patent No. D929015

DesignLights Consortium® (DLC) qualified product. Not all versions of this product may be DLC qualified. Please check the DLC Qualified Products List at [www.designlights.org/QPL](http://www.designlights.org/QPL) to confirm which versions are qualified.

### GOVERNMENT PROCUREMENT

BAA – Buy America(n) Act: Product with the BAA option qualifies as a domestic end product under the Buy American Act as implemented in the FAR and DFARS. Product with the BAA option also qualifies as manufactured in the United States under DOT Buy America regulations. BABA – Build America Buy America: Product with the BAA option also qualifies as produced in the United States under the definitions of the Build America, Buy America Act.

Please refer to [www.acuitybrands.com/resources/buy-american](http://www.acuitybrands.com/resources/buy-american) for additional information.

**WARRANTY** — 5-year limited warranty. This is the only warranty provided and no other statements in this specification sheet create any warranty of any kind. All other express and implied warranties are disclaimed. Complete warranty terms located at:

[www.acuitybrands.com/support/warranty/terms-and-conditions](http://www.acuitybrands.com/support/warranty/terms-and-conditions)

**NOTE:** Actual performance may differ as a result of end-user environment and application.

All values are design or typical values, measured under laboratory conditions at 25 °C.

The product images shown are for illustration purposes only and may not be an exact representation of the product.

**Specifications subject to change without notice.**



**ORDERING INFORMATION**

Lead times will vary depending on options selected. Consult with your sales representative.

**Example:** EMXH L48 6000LM FPCL WD MVOLT GZ10 40K 80CRI DGXD CR

| Series | Length  | Nominal Lumens        | Diffuser                           | Distribution       | Voltage                 | Driver               | Color temperature | CRI          |
|--------|---------|-----------------------|------------------------------------|--------------------|-------------------------|----------------------|-------------------|--------------|
| EMXH   | L24 24" | 3000LM 3,000 lumens   | FPCL Flat Poly Clear, .125" thick  | MD Medium          | MVOLT 120-277, 50/60hz  | GZ10 0 - 10V dimming | 30K 3000K         | 80CRI 80 CRI |
|        |         | 5000LM 5,000 lumens   |                                    |                    |                         |                      | 35K 3500K         | 90CRI 90 CRI |
|        |         | 7000LM 7,000 lumens   | FPFL Flat Poly Frost, .125" thick  | WD Wide            | HVOLT 347-480V, 50/60hz | 40K 4000K            |                   |              |
|        |         | 9000LM 9,000 lumens   |                                    |                    |                         | 50K 5000K            |                   |              |
|        | L48 48" | 6000LM 6,000 lumens   | FGFL Flat Glass Frost, .125" thick | PGD Parking Garage | 120 120V, 50/60hz       |                      |                   |              |
|        |         | 10000LM 10,000 lumens |                                    |                    | 277 277V, 50/60hz       |                      |                   |              |
|        |         | 14000LM 14,000 lumens |                                    |                    | 347 347V, 50/60hz       |                      |                   |              |
|        |         | 18000LM 18,000 lumens |                                    |                    | 480 480V, 50/60hz       |                      |                   |              |

| Options                  |   |  | Finish †  |
|--------------------------|---|--|---|
| <b>Surge Protection:</b> |   | <b>Cordsets:</b>   | <b>Individual Sensors: †</b>  |
| (blank)                  | Standard 10kV/5kA surge protection based on voltage selected (120-480V) | CNP16WWL Cord, no plug, 3 conductors, 16 gauge, white, wet location, 6 feet              | SBGR10 360° Low Mount Sensor, (8-15' mounting heights), on/off occupancy (LINK)                           |
| SPD20KV                  | 20kV/10kA surge protection for 120-277V †                               | CNP16WWL12FT Cord, no plug, 3 conductors, 16 gauge, white, wet location, 12 feet         | SBGR10 D 3V 360° Low Mount sensor, (8-15' mounting heights), high/low occupancy dimming (bi-level) (LINK) |
| SPD20KVH                 | 20kV/10kA surge protection for 347-480V †                               | CNP165CDWWL Cord, no plug, 5 conductors for 0-10V dimming, white, wet location, 6 feet † | SBGR10 P 360° Low Mount Sensor, (8-15' mounting heights), on/off photocell (LINK)                         |
| <b>Mounting:</b>         |   |  |   |
| (blank)                  | Stainless steel brackets (suspended or surface mount)                   |  | DGXD CR Grey, Super durable, corrosion resistant  |
| RMBA                     | Stainless steel angle brackets (surface mount) †                        |  | DWHXD CR White, Super durable, corrosion resistant  |
| RMBK                     | Stainless steel rigid brackets (suspended or surface mount) †           |  | DBLXD CR Black, Super durable, corrosion resistant  |
| RMBU                     | Rigid mount U-bolt brackets (pole mount) †                              |  |   |
| <b>Other Options:</b>    |   |  |   |
| BAA                      | Buy America(n) Act and/or Build America Buy America Qualified           |  |   |
| IDS                      | Independent Driver System †   |  |   |
| IP67                     | Semi-submersible gasket kit †   |  |   |

NOTE: † indicates option chosen has ordering restrictions. Please reference ordering restrictions chart.

| Accessories: Order as separate catalog number. |  |
|--|--|
| EMXRMBK  | Rigid mount bracket (QTY of 1) †                                     |
| EMXRMBK L24 3G                                 | Rigid mount bracket kit for (L24) 2' fixtures, 3G rated (QTY of 2) † |
| EMXRMBK L48 3G                                 | Rigid mount bracket kit for (L48) 4' fixtures, 3G rated (QTY of 3) † |
| EMXRMBK  | Angle mount bracket (QTY of 2) †                                     |
| EMXRMBU  | Rigid mount U-bolt bracket (QTY of 2) †                              |
| EMXSMB   | Replacement standard mounting brackets (QTY of 2) †                  |

Option value ordering restrictions are on page 3.

**Option Value Ordering Restrictions & Notes**

| Option value       | Restriction  |
|--------------------|--|
| CNP165CDWWL        | Not available with SBGR10 D 3V.  |
| EMXRMBA            | Available for surface angle (wall or ceiling) mounting applications. Bracket can be set to 22.5°, 45° or 90° angles.   |
| EMXRMBK            | QTY of 1 RMBK bracket for replacement or add a third bracket for L48 3G vibration rated applications. A minimum QTY of 2 brackets are required to mount a fixture. For 3G applications, a QTY of 2 brackets is required for L24 (2FT) and a QTY of 3 brackets is required for L48 (4FT). Available for surface (ceiling or wall) and suspended (chain or cable) mounting applications. |
| EMXRMBK L24 3G     | QTY of 2 brackets for L24 (2FT). Available for surface (ceiling or wall) and suspended (chain or cable) mounting applications. <b>3G vibration rated.</b>  |
| EMXRMBK L48 3G     | QTY of 3 brackets for L48 (4FT). Available for surface (ceiling or wall) and suspended (chain or cable) mounting applications. <b>3G vibration rated.</b>  |
| EMXRMBU            | Available for pole (1½" trade size pipe) mounting applications.  |
| EMXSMB             | Included with every fixture unless a different mounting option is chosen (RMBA, RMBK or RMBU). Available for surface (ceiling or wall) and suspended (chain or cable) mounting applications.   |
| Finish             | Corrosion resistant finish is standard.  |
| IDS                | Available with L48 only. Not available with individual controls. Each 24" section of a L48 fixture will have a separate driver and LED board that can be controlled independently.   |
| Individual Sensors | Not available with IP67 option. <b>Not C1, D2 rated. CII, D2, CIII and IP66 rated.</b>   |
| IP67               | Not available with individual controls. Not IP67 rated if fixture is mounted facing upward as water can pool on the lens.  |
| RMBA               | QTY of 2 brackets. Available for surface angle (wall or ceiling) mounting applications. Bracket can be set to 22.5°, 45° or 90° angles.  |
| RMBK               | A QTY of 2 brackets will be included for L24 (2FT) and a QTY of 3 brackets will be included for L48 (4FT). Available for surface (ceiling or wall) and suspended (chain or cable) mounting applications. <b>3G vibration rated.</b>  |
| RMBU               | A QTY of 2 brackets. Available for pole (1½" trade size pipe) mounting applications.   |
| SPD20KV            | Not available in HVOLT.  |
| SPD20KVH           | Not available in MVOLT.  |

**OPERATIONAL DATA (80 CRI\*, MD\*\*, DWH\*\*\*)**

| Length | Package | Input Wattage | CCT | FPCL         | FPFL         | FGCL         | FGFL         |
|--------|---------|---------------|-----|--------------|--------------|--------------|--------------|
|        |         |               |     | Lumens (LPW) | Lumens (LPW) | Lumens (LPW) | Lumens (LPW) |
| L24    | 3000LM  | 20.0          | 30K | 2862 (143)   | 2214 (110)   | 2879 (144)   | 2485 (124)   |
|        |         |               | 35K | 2920 (146)   | 2259 (113)   | 2937 (147)   | 2536 (126)   |
|        |         |               | 40K | 3193 (159)   | 2470 (123)   | 3212 (160)   | 2773 (138)   |
|        |         |               | 50K | 3094 (154)   | 2393 (119)   | 3112 (155)   | 2687 (134)   |
|        | 5000LM  | 33.2          | 30K | 4670 (141)   | 3613 (109)   | 4698 (141)   | 4056 (122)   |
|        |         |               | 35K | 4765 (143)   | 3686 (111)   | 4793 (144)   | 4138 (125)   |
|        |         |               | 40K | 5211 (157)   | 4032 (121)   | 5243 (158)   | 4526 (136)   |
|        |         |               | 50K | 5049 (152)   | 3906 (118)   | 5079 (153)   | 4385 (132)   |
|        | 7000LM  | 46.3          | 30K | 6304 (136)   | 4877 (105)   | 6342 (137)   | 5475 (118)   |
|        |         |               | 35K | 6432 (139)   | 4976 (107)   | 6470 (140)   | 5586 (121)   |
|        |         |               | 40K | 7035 (152)   | 5442 (118)   | 7077 (153)   | 6110 (132)   |
|        |         |               | 50K | 6815 (147)   | 5272 (114)   | 6856 (148)   | 5919 (128)   |
|        | 9000LM  | 62.5          | 30K | 8234 (132)   | 6370 (102)   | 8283 (133)   | 7151 (114)   |
|        |         |               | 35K | 8401 (134)   | 6499 (104)   | 8451 (135)   | 7296 (117)   |
|        |         |               | 40K | 9189 (147)   | 7108 (114)   | 9244 (148)   | 7980 (128)   |
|        |         |               | 50K | 8902 (142)   | 6887 (110)   | 8956 (143)   | 7732 (124)   |
| L48    | 6000LM  | 39.5          | 30K | 5598 (142)   | 4331 (110)   | 5632 (143)   | 4862 (123)   |
|        |         |               | 35K | 5712 (145)   | 4419 (112)   | 5746 (145)   | 4961 (126)   |
|        |         |               | 40K | 6247 (158)   | 4833 (122)   | 6285 (159)   | 5426 (137)   |
|        |         |               | 50K | 6053 (153)   | 4682 (118)   | 6089 (154)   | 5257 (133)   |
|        | 10000LM | 66.6          | 30K | 9476 (142)   | 7331 (110)   | 9533 (143)   | 8230 (124)   |
|        |         |               | 35K | 9669 (145)   | 7480 (112)   | 9727 (146)   | 8397 (126)   |
|        |         |               | 40K | 10575 (159)  | 8181 (123)   | 10638 (160)  | 9184 (138)   |
|        |         |               | 50K | 10245 (154)  | 7926 (119)   | 10307 (155)  | 8898 (134)   |
|        | 14000LM | 90.0          | 30K | 12570 (140)  | 9724 (108)   | 12645 (140)  | 10917 (121)  |
|        |         |               | 35K | 12825 (142)  | 9921 (110)   | 12901 (143)  | 11138 (124)  |
|        |         |               | 40K | 14027 (156)  | 10851 (121)  | 14111 (157)  | 12182 (135)  |
|        |         |               | 50K | 13590 (151)  | 10513 (117)  | 13671 (152)  | 11803 (131)  |
|        | 18000LM | 121.8         | 30K | 16070 (132)  | 12432 (102)  | 16166 (133)  | 13957 (115)  |
|        |         |               | 35K | 16396 (135)  | 12684 (104)  | 16494 (135)  | 14240 (117)  |
|        |         |               | 40K | 17933 (147)  | 13873 (114)  | 18040 (148)  | 15575 (128)  |
|        |         |               | 50K | 17374 (143)  | 13441 (110)  | 17478 (143)  | 15089 (124)  |

\* For 90CRI, reduce lumen output by 17.5%

\*\* For WD reduce output by 5.9%, PGD reduce output by 10.8%

\*\*\* For DGXD reduce output by 7.1%, DBL reduce output by 11.4%

**LAT TABLE**

| Ambient Temp °C | L24    |        |        |        | L48    |         |         |         |
|-----------------|--------|--------|--------|--------|--------|---------|---------|---------|
|                 | 3000LM | 5000LM | 7000LM | 9000LM | 6000LM | 10000LM | 14000LM | 18000LM |
| 25°C            | 1.00   | 1.00   | 1.00   | 1.00   | 1.00   | 1.00    | 1.00    | 1.00    |
| 30°C            | 0.99   | 0.99   | 0.99   | 0.99   | 0.99   | 0.99    | 0.99    | 0.99    |
| 35°C            | 0.99   | 0.99   | 0.99   | 0.98   | 0.99   | 0.98    | 0.98    | 0.98    |
| 40°C            | 0.98   | 0.98   | 0.98   | 0.98   | 0.98   | 0.98    | 0.98    | 0.98    |
| 45°C            | 0.97   | 0.97   | 0.97   | 0.97   | 0.97   | 0.97    | 0.97    | 0.97    |
| 50°C            | 0.96   | 0.96   | 0.96   | 0.96   | 0.96   | 0.96    | 0.96    | 0.96    |
| 55°C            | 0.96   | 0.96   | 0.95   | 0.95   | 0.95   | 0.95    | 0.95    | 0.95    |
| 60°C            | 0.95   | 0.95   | 0.95   | 0.95   | 0.95   | 0.95    | 0.95    | 0.94    |
| 65°C            | 0.94   | 0.94   | NA     | NA     | 0.94   | 0.94    | NA      | NA      |
| 70°C            | NA     | NA     | NA     | NA     | 0.93   | 0.93    | NA      | NA      |

**CSA LISTED AMBIENT RATING\***

|            |         | Standard | SBGR Sensor |
|------------|---------|----------|-------------|
| <b>L24</b> | 3000LM  | 65°C     | 60°C        |
|            | 5000LM  | 65°C     | 60°C        |
|            | 7000LM  | 60°C     | 60°C        |
|            | 9000LM  | 60°C     | 60°C        |
| <b>L48</b> | 6000LM  | 65°C     | 60°C        |
|            | 10000LM | 65°C     | 60°C        |
|            | 14000LM | 60°C     | 60°C        |
|            | 18000LM | 60°C     | 50°C        |

\*Minimum Ambient is -40°C unless noted

**NUMBER OF BOARDS AND DRIVERS**

| Lumen Package | Fixture Length | Number of Boards | Number of Drivers |
|---------------|----------------|------------------|-------------------|
| 3000LM        | L24            | 1                | 1                 |
| 5000LM        |                | 1                | 1                 |
| 7000LM        |                | 1                | 1                 |
| 9000LM        |                | 1                | 1                 |
| 6000LM        | L48            | 2                | 1                 |
| 10000LM       |                | 2                | 1                 |
| 14000LM       |                | 2                | 1                 |
| 18000LM       |                | 2                | 2                 |

**IMPACT RESISTANCE (IK RATINGS)**

| Lens Type            | Rating |
|----------------------|--------|
| Poly (FPFL/FPCL)     | IK10   |
| Clear Glass (FGCL)   | IK08   |
| Frosted Glass (FGFL) | IK05   |

**AMBIENT TEMPERATURE AND T-CODE**

| Length (foot) | lumen (lm)      | Max Amb. Temp. (°C) | Supply Wire Temp. (°C) | Class I, Div. 2 | Class II, Div. 2, Group F, G | Simultaneous Class I, Div. 2, Class II Div. 2, Group F, G; Class III |
|---------------|-----------------|---------------------|------------------------|-----------------|------------------------------|--|
| 2ft/4ft       | ≤10,000         | 40°C                | 90°C                   | T6              | T6                           | T6   |
|               |                 | 50°C                |                        | T6              | T6                           |  |
|               |                 | 55°C                |                        | T5              | T6                           | T5   |
|               |                 | 60°C                |                        | T5              | T5                           | T5   |
| 4ft           |                 | 65°C                |                        | T5              | T5                           | T5   |
| 4ft           | 10,000 < 18,000 | 40°C                | 90°C                   | T5              | T6                           | T5   |
|               |                 | 50°C                |                        | T4A             | T6                           | T4A  |
|               |                 | 55°C                |                        | T4A             | T6                           | T4A  |
|               |                 | 60°C                |                        | T4A             | T5                           | T4A  |

**LUMEN MAINTENANCE\***

|            |         | Operating Hours |        |        |        |        |         |
|------------|---------|-----------------|--------|--------|--------|--------|---------|
|            |         | 0               | 15,000 | 30,000 | 45,000 | 60,000 | 100,000 |
| <b>L24</b> | 3000LM  | 100.0%          | 96.7%  | 94.1%  | 91.5%  | 88.9%  | 82.6%   |
|            | 5000LM  | 100.0%          | 96.7%  | 94.1%  | 91.5%  | 88.9%  | 82.6%   |
|            | 7000LM  | 100.0%          | 96.7%  | 94.1%  | 91.5%  | 88.9%  | 82.6%   |
|            | 9000LM  | 100.0%          | 96.4%  | 93.8%  | 91.2%  | 88.7%  | 82.3%   |
| <b>L48</b> | 6000LM  | 100.0%          | 96.7%  | 94.1%  | 91.5%  | 88.9%  | 82.6%   |
|            | 10000LM | 100.0%          | 96.7%  | 94.1%  | 91.5%  | 88.9%  | 82.6%   |
|            | 14000LM | 100.0%          | 96.7%  | 94.1%  | 91.5%  | 88.9%  | 82.6%   |
|            | 18000LM | 100.0%          | 96.4%  | 93.7%  | 91.2%  | 88.6%  | 82.3%   |

\*Data projected for 25°C ambient

**ZONE EQUIVALENCY RATINGS**

|   |   |
|---|---|
| CLASS I, DIV 2, GROUP D                           | CLASS I, ZONE 2 GROUP IIA               |
| CLASS I, DIV 2, GROUP C                           | CLASS I, ZONE 2 GROUP IIB               |
| CLASS I, DIV 2, GROUP B                           | CLASS I, ZONE 1 GROUP IIB PLUS HYDROGEN |
| CLASS I, DIV 2, GROUP A & CLASS I, DIV 2, GROUP B | CLASS I, ZONE 2 GROUP IIC               |
| CLASS II, DIV 2, GROUP F OR G                     | CLASS II, ZONE 22                       |
| CLASS III   | N/A                                     |

# EMXH LED

Low-Profile Enclosed and Gasketed



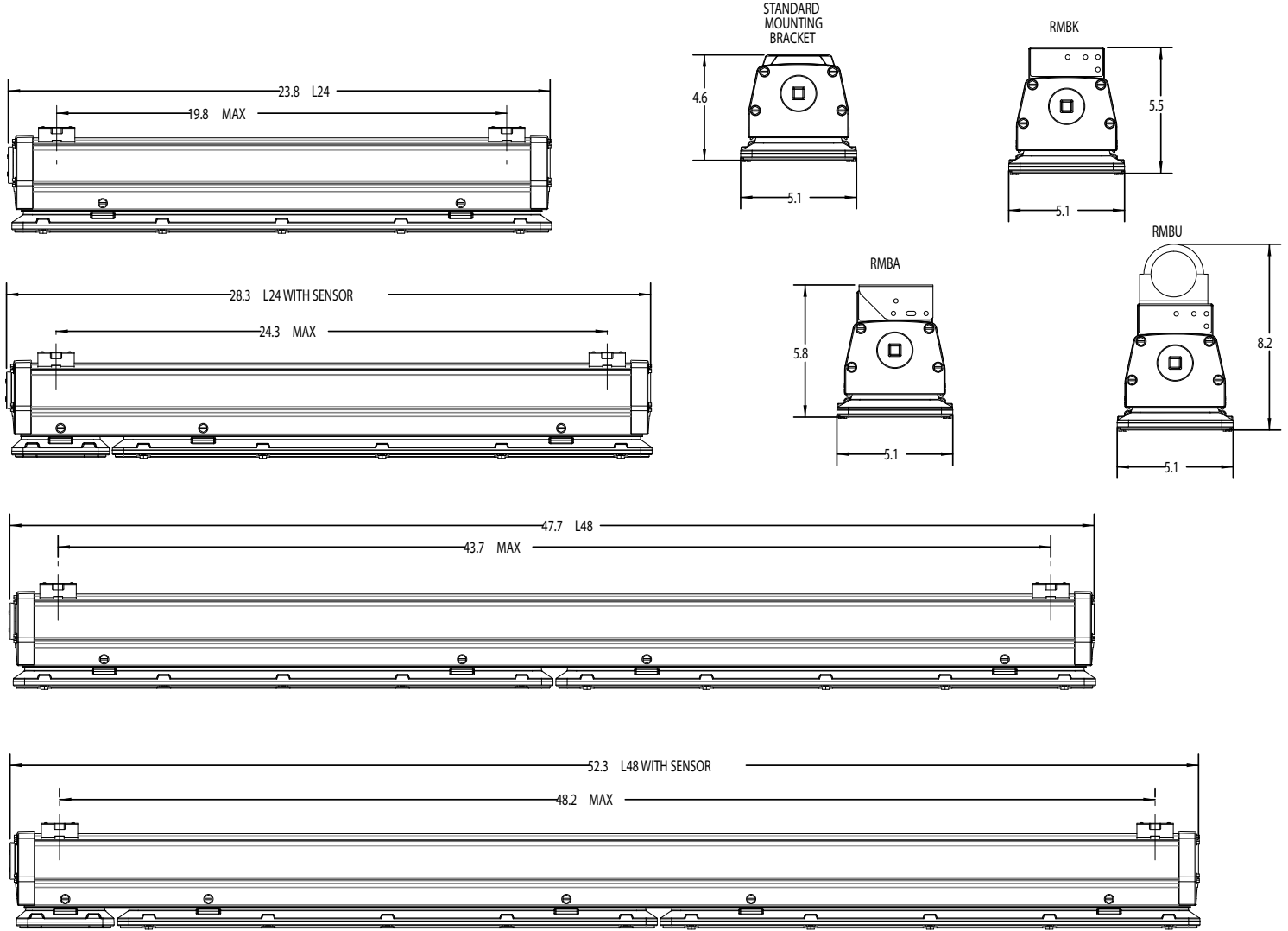
## DIMENSIONS

Specifications subject to change without notice.  
All dimensions are in inches unless otherwise indicated.

## CONFIGURATION WEIGHTS

|     | Standard | w/ Sensor |
|-----|----------|-----------|
| L24 | 10.9 lbs | 11.5 lbs  |
| L48 | 19.4 lbs | 20.0 lbs  |

Weight may vary with options and accessories



## OPTIONS AND ACCESSORIES

Standard Mount Bracket



(ceiling, suspended)

Included with the fixture unless one of the following 3 options are chosen.

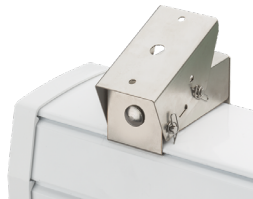
RMBK Bracket



(ceiling, wall, suspended)

2' (L24) fixtures require 2 brackets and 4' (L48) fixtures require 3 brackets for 3G rating.

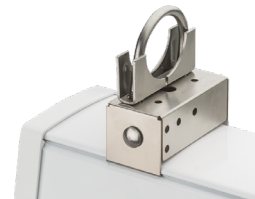
RBMA Bracket



(angled)

Bracket can be set to 22.5°, 45° or 90° angles.

RBMU Bracket



(pole)

1 1/2" Trade size Pipe mounting

SBGR Sensor

