

Catalog Number	
Notes	Type

# Predator® Large

Hazardous Locations



### Description

The Hazardous Predator LED floodlights are built to withstand the harshest environments without sacrificing performance. Versatile and efficient, Hazardous Predator LED floodlights offer superior field to beam ratios in a rugged, corrosion-resistant housing. The Hazardous Predator LED floodlight offers one-for-one replacements for 400W to 1000W HID while offering up to incredible energy savings.

### Optics

- Highly specular internal reflector provides superior field to beam ratios.
- NEMA distribution choices of 4X4, 4X5, 5X5, 6X5, and 6X6 provide uniform illumination for any application.
- Borosilicate prismatic glass lens doesn't fade, discolor or otherwise degrade in harsh environments optimizing light levels over time.
- Replaces 400-1000 watt HID luminaires.

### Electrical

- CRI > 70 (nominal) is standard.
- 4000 K or 5000 K CCT available.
- Surge protection device provides IEE/ANSI c62.4 C (10kV/5kA) level of protection.

### Mechanical

- Robust cast aluminum housing with low copper content (0.6% CU content) and durable epoxy finish withstands harsh and hostile environments.
- Designed to withstand 3G vibration.
- Stainless steel yoke mount.
- Removable door contains all driver and LED components and includes quick electrical disconnects.
- Rated -40°C to 40°C ambient.

### Listings

- UL 844 Class I Div II Group A, B, C, D
- UL 1598 Wet location
- IP66
- Temperature code: T2B

### Warranty

5-year limited warranty. This is the only warranty provided and no other statements in this specification sheet create any warranty of any kind. All other express and implied warranties are disclaimed. Complete warranty terms located at: [www.acuitybrands.com/support/warranty/terms-and-conditions](http://www.acuitybrands.com/support/warranty/terms-and-conditions)

**NOTE:** Actual performance may differ as a result of end-user environment and application.

All values are design or typical values, measured under laboratory conditions at 25 °C. Specifications subject to change without notice.



Typical Applications	
• Petroleum refineries	• Power generation plants
• Ethanol facilities	• Paper mills
• Chemical plants	• Industrial perimeters
• Waste water & water treatment plants	• Foundries
	• Manufacturing plants

Dimensions: Inches (millimeters) unless otherwise noted.
Height: 18.7 (475)
Width: 26.4 (670)
Depth: 10.6 (268)
Weight: 73 lbs. (33 kg)
Max EPA = 3.8ft <sup>2</sup> (0.35 m <sub>2</sub> )

## ORDERING INFORMATION

**Example:** HPFL 8MOD 50K 1050MA MVOLT 44PG YMS2 DGXD

Series	Performance Package	Drive Current	Distribution	Voltage	Color Temperature
HPFL	7MOD 7 Modules	1050MA 1050 mA driver	44PG 4x4 prismatic glass	MVOLT Autosensing (120V-277V)	HVOLT Autosensing (347V/480V) 40K 4000K 50K 5000K
	8MOD 8 Modules	700MA 700 mA driver	45PG 4x5 prismatic glass	120 120V	
	9MOD 9 Modules		55PG 5x5 prismatic glass	208 208V	
			65PG 6x5 prismatic glass	240 240V	
			66PG 6x6 prismatic glass	277 277V	

Mounting	Power Cord / Wiring box	Options	Primary Finish
YMS2 Yoke Stainless Steel	0463 4' power cord 16 gauge, with wiring box	NL Nema Label	DBXD Black super durable with epoxy primer
YMG2 Yoke Galvanized	0443 4' power cord 14 gauge, with wiring box	SF Single Fusing †	DGXD Gray super durable with epoxy primer
YMS3 Yoke Stainless Steel 3G	0423 4' power cord 12 gauge, with wiring box	DF Double Fusing †	DGRXD Graphite super durable with epoxy primer
YMG3 Yoke Galvanized 3G			DWHXD White super durable with epoxy primer BZXD Bronze super durable with epoxy primer

# Predator Large

Hazardous Locations



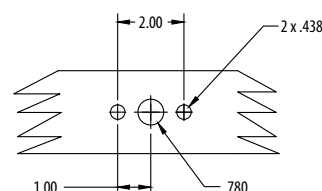
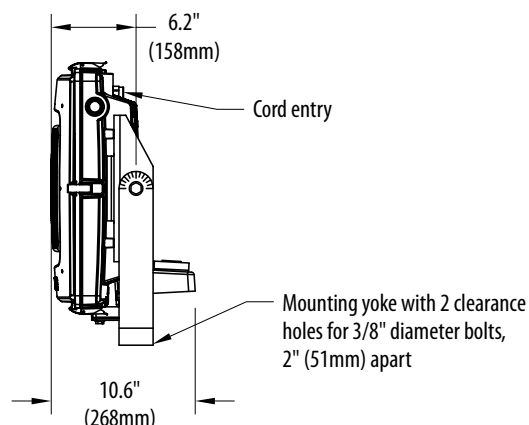
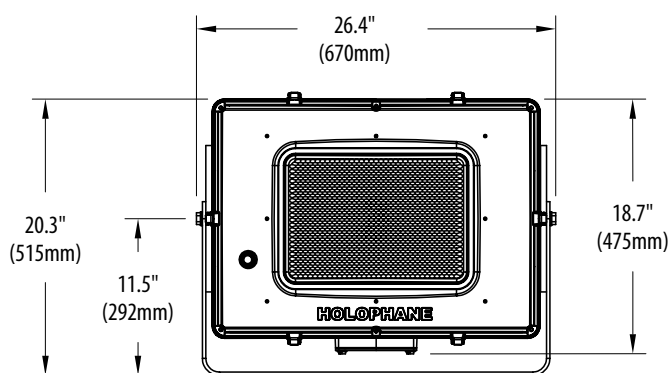
Accessories: Order as separate catalog number.			
HPFLFV XXX	Full visor, XXX denotes color ‡	HPFLVG	Vandal guard ‡
HPFLUBV XXX	Upper/bottom visor, XXX denotes color ‡	HPFLWG	Wire guard ‡

‡ Option Value Ordering Restrictions	
Option value	Restriction
DF	Must specify voltage. 208, 240 or 480V only. Fusing not permitted for use in Canada per C22.2 No. 137 clause 3.4.11.
HPFLFV XXX	Not available with other visor and guard accessories.
HPFLUBV XXX	Not available with other visor and guard accessories.
HPFLVG	Not available with other visor and guard accessories.
HPFLVWG	Not available with other visor and guard accessories.
SF	Must specify voltage. 120, 240, 277 or 347V only. Fusing not permitted for use in Canada per C22.2 No. 137 clause 3.4.11.

# Predator Large

Hazardous Locations

## DIMENSIONAL DATA



## OPERATIONAL DATA

Operating temperature codes for hazardous locations:

Package	Max ambient rating	Class 1, Division 2 Groups A, B, C, D
All	40°C	T2B

## OPERATING CHARACTERISTICS

### HPFL Predator flood 1050mA 4000K, 70CRI

1050mA	Distribution	Delivered lumens	Input watts	LPW
7 Modules	44PG	32260	286	113
	45PG	32070		112
	55PG	34316		120
	65PG	35410		124
	66PG	35423		124
8 Modules	44PG	36990	326	113
	45PG	36773		113
	55PG	39347		121
	65PG	40603		125
	66PG	40617		125
9 Modules	44PG	40425	366	110
	45PG	40188		110
	55PG	43002		118
	65PG	44374		121
	66PG	44389		121

### HPFL Predator flood 700mA 4000K, 70CRI

700mA	Distribution	Delivered lumens	Input watts	LPW
7 Modules	44PG	24669	186	133
	45PG	24525		132
	55PG	26241		141
	65PG	27078		146
	66PG	27088		146
8 Modules	44PG	28287	212	133
	45PG	28121		133
	55PG	30089		142
	65PG	31049		147
	66PG	31060		147
9 Modules	44PG	30914	238	130
	45PG	30732		129
	55PG	32884		138
	65PG	33933		143
	66PG	33945		143