

Catalog Number	
Notes	Type

Petrolux® LED

Wet Location for Demanding Environments



Description

For demanding environments where dust, dirt and moisture are a concern. Certain airborne contaminants may adversely affect the functioning of LEDs and other electronic components, depending on various factors such as concentrations of the contaminants, ventilation, and temperature at the end-user location. [Click here for a list of substances that may not be suitable for interaction with LEDs and other electronic components.](#)

Optics

- Prismatic borosilicate glass directs light where needed and reduces harsh glare.
- Polycarbonate lens available for those applications requiring non-glass options.
- Three distributions (Type 5 low angle, Type 5 high angle, and Type 1 long and narrow) available to maximize versatility.
- Highly engineered LED system ensures superior uniformity and maximizes spacing.

Electrical

- Luminaire Surge Protection Level: Designed to withstand up to 10KV/5kA per ANSI C82.77-5-2015.
- 0-10V dimming driver is standard, dims to 10%.
- CRI > 70 (nominal) is standard.
- 3000K, 4000K or 5000K CCT available.
- Fault-tolerant LED light engine continues to provide light even in the failure of one LED.

Mechanical

- Robust cast aluminum housing with low copper content (0.6% CU content) withstands harsh or hostile environments.
- Universal mount top cover (ceiling/pendant) is standard.
- Optional universal arm available for wall/stanchion. Other mountings include gasketed hook and yoke mount.
- Precise number of fins dissipate maximum amount of heat.

Listings

- UL Listed to US and Canadian Standards
- Suitable for use in wet locations
- -40°F (-40°C) to 131°F (55°C) ambient temperature rating ([see chart for details](#))
- IP66 rated

Warranty

5-year limited warranty. This is the only warranty provided and no other statements in this specification sheet create any warranty of any kind. All other express and implied warranties are disclaimed. Complete warranty terms located at: www.acuitybrands.com/support/warranty/terms-and-conditions

Note: Actual performance may differ as a result of end-user environment and application.

All values are design or typical values, measured under laboratory conditions at 25 °C.



Typical Applications

- Petroleum refineries
- Ethanol facilities
- Chemical plants
- Power plants
- Textile mills
- Water and wastewater treatment facilities
- Parking garages
- Tunnels

Dimensions

Diameter: 14.76 in. (374.9 mm.)
 Depth: 13.57 in. (344.68 mm.)
 Weight: 38-45 lbs. (17.24-20.41 kg.)
 EPA: 1.21 sq.ft.

ORDERING INFORMATION

Example: PLED2 5000LM L5 MVOLT 40K 70CRI UNM DGXD

Series	Lumens	Distribution	Voltage	Color temperature	Color rendering index	Mounting
PLED2	5000LM 5000 lumens	L5 Type 5, low angle, glass	MVOLT Auto sensing (120-277V, 50/60Hz)	HVOLT Auto sensing (347-480V, 50/60Hz)	30K 3000K CCT 40K 4000K CCT 50K 5000K CCT	UNM Universal ‡ GHK Gasketed hook (HKMW) ‡ YK0 0° yoke mount bracket YK45 45° yoke mount bracket
	8000LM 8000 lumens	L5FR Type 5, low angle, glass frosted	120 120V, 50/60Hz	347 347V, 50/60Hz		
	10000LM 10,000 lumens	L5H Type 5, high angle, glass	208 208V, 50/60Hz	480 480V, 50/60Hz		
	12000LM 12,000 lumens	L5HFR Type 5, high angle, glass frosted	240 240V, 50/60Hz			
	15000LM 15,000 lumens	LND Type 1, long and narrow, glass ‡	277 277V, 50/60Hz			
	18000LM 18,000 lumens ‡	LNDFR Type 1, long and narrow, glass frosted ‡				
		L5P Type 5, low angle, polycarbonate				
		L5HP Type 5, high angle, polycarbonate				
		LNDP Type 1, long and narrow, polycarbonate ‡				

Cordsets	Options	Finish
<p>Wet Location Cordsets:</p> <p>CPTL16WWL Cord with NEMA 15 amp twist lock plug, 16 gauge, 3 conductor, white, wet location, 6 feet ‡</p> <p>CNP16WWL Cord only, no plug, 16 gauge, 3 conductor, white, wet location, 6 feet ‡</p> <p>L/CORD No Cord</p>	<p>Photocell Options:</p> <p>P34 DTL solid state photo control, 347V ‡</p> <p>P48 DTL solid state photo control, 480V ‡</p> <p>PCS DTL solid state photo control. AS, 120-277V ‡</p> <p>PER NEMA twistlock receptacle ‡</p> <p>PER45 NEMA twistlock receptacle 45° mounting ‡</p> <p>PSC Shorting cap ‡</p> <p>Other Options:</p> <p>CR Corrosion Resistant Paint</p> <p>EMD Ingress/egress marker decal</p> <p>SPK Sample pack for ground transport</p> <p>UPS Uplight shield ‡</p> <p>WGX Wire guard</p>	<p>DWHXD White</p> <p>DGXD Gray</p>
	<p>Individual non-dimming sensors:</p> <p>SBOR6 High Mount Sensor, (15-30' mounting heights), on/off occupancy, outdoor PIR, previously MS16NWL (LINK) ‡</p> <p>Individual dimming sensors:</p> <p>SBOR6 D OV High Mount Sensor, (15-30' mounting heights), occupancy controlled dimming, outdoor PIR, previously MS162LOVWL (LINK) ‡</p> <p>SBOR6 ODP OV High Mount Sensor, (15-30' mounting heights), occupancy controlled dimming with on/off photocell, outdoor PIR with photocell, previously MS162LOVWL DSCNWL (LINK) ‡</p> <p>Optional Mounting Arms: ‡</p> <p>072331PLED2 Substation arm for a single luminaire, up or down orientation, includes one 5 conductor input feed cable with 0-10V dimming</p> <p>072331PLED2CTL Substation arm for a single luminaire with sensor, up or down orientation, includes one 3 conductor input feed cable</p> <p>072332PLED2 Substation arm for two luminaires, up and down orientation, includes two 5 conductor cables for independent fixture control with 0-10V dimming</p> <p>072332PLED2CTL Substation arm for two luminaires (one with a sensor and one without), up and down orientation, includes one 3 conductor cable for the sensor to control both luminaires</p> <p>P3USPLED2 Universal mounting arm for wall or stanchion</p>	

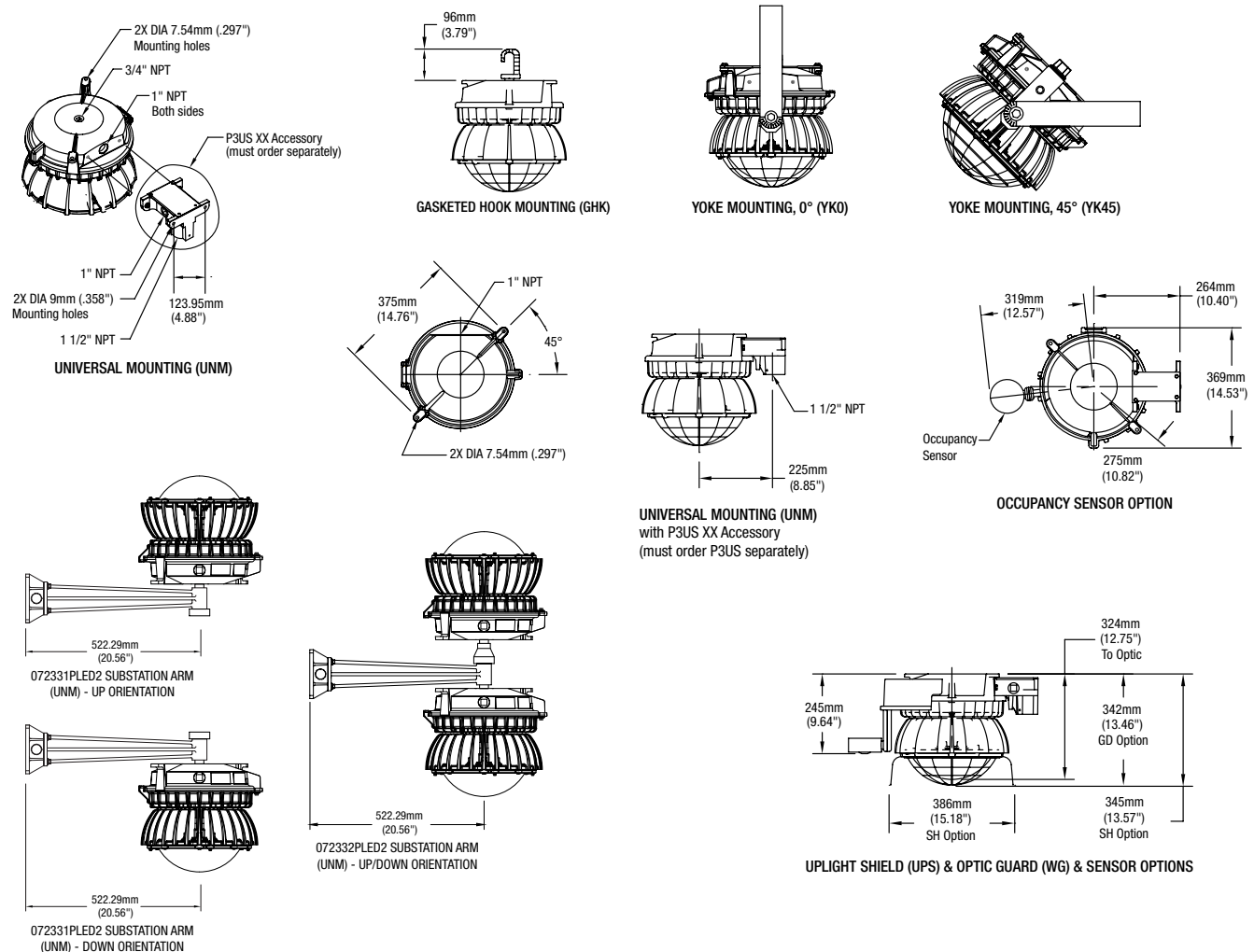
Accessories: Order as separate catalog number.		
HSCCK	X Inch safety chain kit ‡	Substation Mounting Arms: ‡
MI3502 THREAD SEAL	Thread sealant ‡	072331PLED2 XX Substation arm for a single luminaire, up or down orientation, includes one 5 conductor input feed cable with 0-10V dimming
WGPLED2	Wire Guard	072331PLED2 CTL XX Substation arm for a single luminaire with sensor, up or down orientation, includes one 3 conductor input feed cable
UPSPLED2 XX	Uplight Shield ‡	072332PLED2 XX Substation arm for two luminaires, up and down orientation, includes two 5 conductor cables for independent fixture control with 0-10V dimming
Universal Mounting Arm: ‡		072332PLED2 CTL XX Substation arm for two luminaires (one with a sensor and one without), up and down orientation, includes one 3 conductor cable for the sensor to control both luminaires
P3USPLED2 XX	Wall/Stanchion Mount Arm	

For footnotes, see page 3.

ORDERING INFORMATION (cont.)

‡ Option Value Ordering Restrictions and Notes	
Option value	Restriction or Note
18000LM	Available with L5, L5FR, L5H, L5HFR, L5P, and L5HP only.
CPTL16WWL	Must specify voltage. Available with 120, 208, 240 or 277 only. 6' is standard, but 3' and 10' lengths are available. Must specify length for 3' and 10' options. Example: CPTL16WWL3FT. NEMA Plug Configurations: 120 = L5-15P, 208 or 240 = L6-15P, 277 = L7-15P.
CNPWWL	6' is standard, but 3' and 10' lengths are available. Must specify length for 3' and 10' options. Example: CNPWWL3FT.
GHK	Requires cord or cord and plug
HSCXX	X denotes length. Available in multiple sizes. Replace X with size in inches. Example: SCK120 = 120 inches or 10 feet
LND, LNDFR, LNDFP	Not available with 18000LM.
MI3502 THREAD SEAL	Order one 3ml tube per luminaire..
Optional Mounting Arms	Arms will ship as a separate item. Finish will match option(s) chosen for the fixture.
P34	Requires PER or PER45 option. Available with 347 only.
P48	Requires PER or PER45 option. Available with 480 only.
PCS	Requires PER or PER45 option. Available with 120, 208, 240 and 277 only.
PER, PER45	Must specify voltage. Available with 120, 208, 240, 277, 347 and 480 only. When ordered with UNM mounting, cannot utilize ceiling mounting. Not available with PER45, YK45 or sensor. PER and PER45 ships unattached and must be wired in the field.
PSC	Requires PER or PER45 option.
SBOR6, SBOR6 D OV, SBOR6 ODP OV	Available with AS, 120, 208, 240 or 277 only. Not available with YK0, YK45, PER, PER45, UPS or other sensor.
Substation Mounting Arms	Available with UNM mounting only. XX denotes finish. Available with CR paint to match fixture finish.
Universal Mounting Arm	Available with UNM mounting only. XX denotes finish. Available with CR paint to match fixture finish.
UNM	Must order P3US for wall/stanchion installation.
UPS	Available with L5, L5FR, and P5 optics only. Not available with sensor options. XX Denotes Color. Available with CR paint to match luminaire.
UPS PLED2 XX	Available with L5, L5FR, and P5 optics only. Not available with sensor options.

DIMENSIONAL DATA



OPERATIONAL DATA

Operating Characteristics¹

Package	Ambient Rating (120V - 277V)	Ambient Rating (347V / 480V)	Distribution	Delivered Lumens 5000K CCT @25°C ²	Delivered Lumens 4000K CCT @25°C ²	Wattage	LPW @ 5000K
PLED2 5000LM	-40°F to 131°F (-40°C to 55°C)	-40°F to 104°F (-40°C to 40°C)	L5	6,189	6,150	50	124
			L5H	5,234	5,201	50	105
			LND	5,066	5,035	50	101
			L5P	4,493	4,493	50	90
			L5HP	3,852	3,852	50	77
			LNDP	3,772	3,772	50	75
PLED2 8000LM	-40°F to 131°F (-40°C to 55°C)	-40°F to 104°F (-40°C to 40°C)	L5	8,927	8,872	74	121
			L5H	7,550	7,503	74	102
			LND	7,308	7,263	74	99
			L5P	6,522	6,481	74	88
			L5HP	5,592	5,557	74	75
			LNDP	5,476	5,442	74	74
PLED2 10000LM	-40°F to 131°F (-40°C to 55°C)	-40°F to 104°F (-40°C to 40°C)	L5	11,315	11,245	98	115
			L5H	9,569	9,510	98	97
			LND	9,263	9,205	98	94
			L5P	8,266	N/A	98	84
			L5HP	7,087	N/A	98	72
			LNDP	6,940	N/A	98	71
PLED2 12000LM	-40°F to 122°F (-40°C to 45°C)	-40°F to 95°F (-40°C to 35°C)	L5	14,822	14,790	129	115
			L5H	12,586	12,508	129	97
			LND	12,183	12,107	129	94
			L5P	10,872	10,804	129	84
			L5HP	9,321	9,263	129	72
			LNDP	9,128	9,071	129	71
PLED2 15000LM	-40°F to 113°F (-40°C to 45°C)	-40°F to 95°F (-40°C to 35°C)	L5	18,309	18,195	165	111
			L5H	15,484	15,837	165	94
			LND	14,988	14,895	165	91
			L5P	13,375	13,292	165	81
			L5HP	11,468	11,396	165	69
			LNDP	11,230	11,160	165	68
PLED2 18000LM	-40°F to 104°F (-40°C to 40°C)	-40°F to 86°F (-40°C to 35°C)	L5	21,575	21,441	195	110
			L5H	18,246	18,133	195	93
			L5P	13,375	15,663	195	68
			L5HP	13,513	13,429	195	69

Projected Lumen Maintenance (TM-21)³

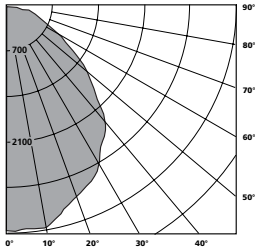
Package ⁴	0 Hours	15,000 Hours	30,000 Hours	45,000 Hours	60,000 Hours	100,000 Hours
PLED2 5000LM	1.0	0.96	0.94	0.93	0.91	0.88
PLED2 8000LM	1.0	0.96	0.94	0.93	0.91	0.88
PLED2 10000LM	1.0	0.96	0.94	0.93	0.91	0.88
PLED2 12000LM	1.0	0.95	0.93	0.91	0.90	0.85
PLED2 15000LM	1.0	0.95	0.93	0.91	0.90	0.85
PLED2 18000LM	1.0	0.95	0.93	0.91	0.90	0.85

Notes

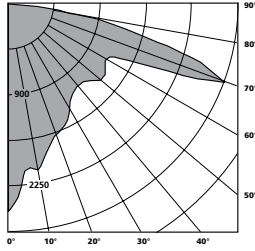
- 1 Adding PER, PER45 options results in a max. ambient of 40°C.
- 2 Absolute photometry calculated in accordance with IESNA LM-79-08.
- 3 Calculated using data collected according to LM-80 and represents lumen maintenance of the LED package.
- 4 Project lumen maintenance factors at max. ambient temperature per lumen package.

DISTRIBUTION DATA

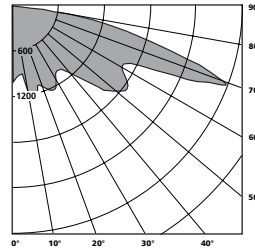
Petrolux LED Type 5 Low Angle



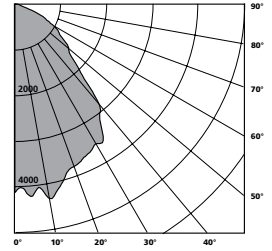
Petrolux LED Type 5 High Angle



Petrolux LED Type 1



Petrolux LED Type 5-0% Uplight



Number of LED Boards and Drivers Used

Lumen Package	Voltage	Number of LED Boards	Number of Drivers
5000LM	MVOLT, 120, 208, 240, 277	2	1
	HVOLT, 347, 480	2	1
8000LM	MVOLT, 120, 208, 240, 278	2	1
	HVOLT, 347, 481	2	1
10000LM	MVOLT, 120, 208, 240, 279	2	1
	HVOLT, 347, 482	2	1
12000LM	MVOLT, 120, 208, 240, 280	2	1
	HVOLT, 347, 483	2	1
15000LM	MVOLT, 120, 208, 240, 281	2	2
	HVOLT, 347, 484	2	2
18000LM	MVOLT, 120, 208, 240, 282	2	2
	HVOLT, 347, 485	2	2