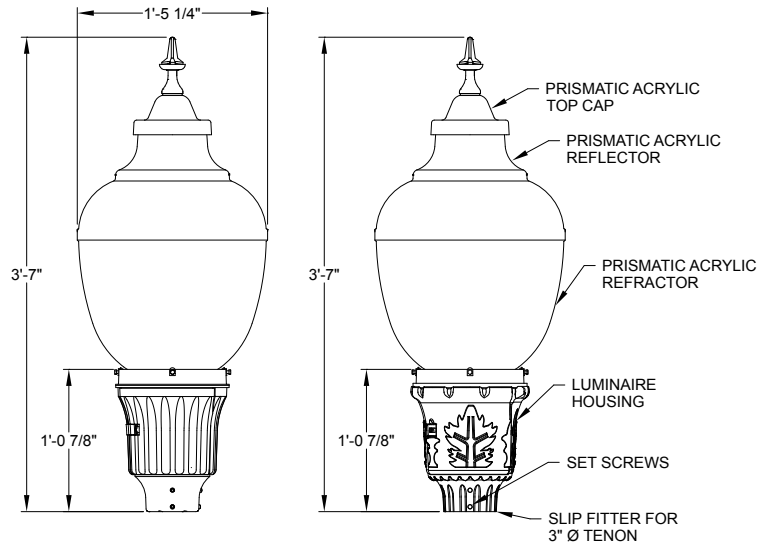


Catalog Number	
Notes	Type



Maximum weight - 37 lbs
Maximum effective projected area - 2.19 sq. ft.

AWDE3

Acrylic Washington Postlite Utility LED3



SPECIFICATIONS

General Description

The Acrylic Washington Postlite Utility LED3 is designed for ease of maintenance with the plug-in electrical module common to each of the luminaires in HoloPhane's Utility Luminaire Series. The large acorn-shaped luminaire, while reminiscent of the 1920's, contains a powerful, stalk-mounted Chip-On-Board, LED platform with a precision optical system that maximizes post spacings while maintaining uniform illumination

Mechanical Specifications

The luminaire housing shall:

- Be heavy grade A360 cast aluminum (aluminum with <1% copper)
- IP55 rated housing provides tool-less access with a spring-loaded latch
- Incorporate a hidden hinge door allowing the door to swing open and remain open
- Offer units with an EEL- NEMA twist lock photocontrol receptacle, the housing contains a tempered glass window to allow light to reach the cell
- Mount to slip-fitter that will accept 3" high by 2-7/8" to 3-1/8" O.D. pole tenon
- Provide four uniquely designed stainless steel spring clips, enclosed in a clear polyvinyl chloride sleeve and adjusted by 1/4-20 hex-head bolts that securely cradle the prismatic acrylic refractor. The same 1/4-20 bolts also support the decorative rib and banding assembly

The finish shall:

- Utilize a polyester power coat paint to ensure maximum durability
- Rigorous multi-stage pre-treating and painting process yields a finish that achieves a scribe creepage rating of 8 (per ASTM D1654) after over 5,000 hours exposure to salt fog chamber (operated per ASTM B117) on standard and RAL finish options.
- RAL (RALxxxxSDCR) paint colors are Super Durable Corrosion Resistant, 80% gloss.

Electrical Specifications

The driver shall meet the following requirements:

- Certified by UL or CSA for wet locations
- A factory programmable electronic driver with 0-10V dimming control leads
- LEDs shall have a minimum of 70 CRI and available in 2700K, 3000K, 4000K, and 5000K CCT
- The electrical system shall be designed to meet ANSI/IEEE C62.41.2 and shall offer a 10kV/5kA surge protection, fail off, as standard with an upgradable 20kV/10kA surge protection, fail off with indicator light, option
- Lumen output can be customized prior to manufacturing by way of FPDxx Options
- The electrical components are mounted on an aluminum plate that is removeable with minimum use of tools. A matching five conductor plug connectsto the receptacle in the luminaire housing to complete the wiring. For photoelectric operation, the electrical module is provided with an EEL-NEMA twist-lock photocell receptacle.

Optical Specifications

The optical system is IP66 rated and consists of a precisely molded thermal resistant acrylic refractor and top reflector mounted within the decorative acrylic optic. The top reflector redirects over 50% of the upward light into the controlling refractor while allowing a soft up-light component to define the traditional acorn shape of the luminaire. The lower refractor uses precisely molded prisms to maximize the pole spacings while maintaining uniform illuminance. Two refractors are available, designed for IES type III and V distributions. Lunar Optics shielding is available for asymmetric and symmetric distributions.

Control Options

The control options shall include, but not limited to, the following:

- Field adjustable output to adjust output to luminaire - AO
- Long life photocontrol, 20 years – PCLL, P34 and P48 with DTL
- 7 pin receptacles internally in housing (PR7) or inside glass mounted (PR7E - not for use with photocontrols & nodes must have photocontrol disabled)
- nLight Air rSBOR6 outdoor fixture-mounted motion and photo-sensor, features a dual radio to communicate wirelessly to other nLight Air devices for group response to motion, on/off control in response to daylight and by switch – rSBOR6
- Fixture embedded nLight Air network interface for individual fixture control and dimming - NLTAIR2.

Certification and Standards

- Luminaire shall be UL or CSA listed.
- Suitable for operation in an ambient temperature up to 40°C / 105°F per UL or CSA certification
- LM79 compliant
- DesignLights Consortium® (DLC) qualified product. Not all versions of this product may be DLC qualified. Please check the DLC Qualified Products List at www.designlights.org/QPL to confirm which versions are qualified.

Government Procurement

BAA – Buy America(n) Act: Product qualifies as a domestic end product under the Buy American Act as implemented in the FAR and DFARS. Product also qualifies as manufactured in the United States under DOT Buy America regulations.

BABA – Build America Buy America: Product qualifies as produced in the United States under the definitions of the Build America, Buy America Act.

Please refer to www.acuitybrands.com/resources/buy-american for additional information.

Warranty

5-year limited warranty. This is the only warranty provided and no other statements in this specification sheet create any warranty of any kind. All other express and implied warranties are disclaimed. Complete warranty terms located at: www.acuitybrands.com/support/warranty/terms-and-conditions

Note: Actual performance may differ as a result of end-user environment and application.

All values are design or typical values, measured under laboratory conditions at 25 °C. Specifications subject to change without notice.

ORDERING INFORMATION

Example: AWDE3 P50 30K MVOLT MS AL3 BK MB ST TBK AO

Series	LED Performance Package	LED Color temperature	Voltage	Housing Style
AWDE3 Acrylic Washington Postlite Utility LED3	P10 3,700 nominal lumens	27K 2700K CCT	MVOLT Auto-Sensing 120-277V 50/60HZ	MS Modern Style Swing Open Design
	P20 6,000 nominal lumens	30K 3000K CCT	HVOLT Auto-Sensing 347-480V 50/60HZ	
	P30 9,000 nominal lumens	40K 4000K CCT		LS Leaf Style Swing Open Design
	P40 12,000 nominal lumens	50K 5000K CCT		
	P50 13,800 nominal lumens			
	P60 16,100 nominal lumens			
	P70 20,100 nominal lumens			

Optics	Housing Color	Trim	Finial	Trim Color
AL3 Acrylic, Type III	BK Black	(Blank) No Trim	(Blank) No Finial	(Blank) If No Trim AND No Finial
AL5 Acrylic, Type V	BZ Bronze	FBM Full Cover with Medallions and Band	BL Ball	TBK Black
AL3LU Acrylic, Type III Lunar Optic	GH Graphite	FNT Full Cover only	CL Clear Acrylic 3"	TBZ Bronze
ALS5LU Acrylic, Type V Lunar Optic	GN Green	MB Medallions and Band	CR Cross	TGL Gold
	GR Grey	RBM Ribs, Band and Medallions	EG Eagle	TGH Graphite
	PP Prime Paint	FRBM Full Cover, Ribs, Band and Medallions	FL Flower	TGN Green
	WH White		KC Knurled Cap	TGR Grey
	CMC CustomMatchColor Finish		PN Pawn	TPP Prime Paint
	XX STD Finish, TBD		ST Standard	TWH White
	RALxxxxSDCR RAL Super Durable Corrosion Resistant, 80% Gloss Paint, replace xxxx with RAL number.		RM Roman Cross	TCMC Custom Match Color Finish
			TRALxxxxSDCR RAL Super Durable Corrosion Resistant, 80% Gloss Paint, replace xxxx with RAL number.	
			TXX STD Finish, TBD	

Photocontrol Receptacle	Options: Option Compatibility Matrix on page 3 of 4	PREWIRED LEAD OPTIONS	OPTIC OPTIONS
PR7 Dimming photocontrol receptacle - 7 PIN.	CONTROLS OPTIONS AO Field Adjustable Output PCLL Long Life DTL Twistlock Photocontrol for Solid State, MVOLT P34 Long Life DTL Twistlock Photocontrol for Solid State, 347V P48 Long Life DTL Twistlock Photocontrol for Solid State, 480V SH Shorting Cap RSBOR6 nLight Motion Sensing Photocontrols NLTAIR2 nLight rIO 2.0 Antenna DRIVER ELECTRICAL OPTIONS FPDxx Factory Programmed Driver 20KV Extreme surge protection 20kV/10kA, fail off with indicator light	L1H 1.5 ft prewired leads L03 3ft prewired leads L10 10 ft prewired leads L20 20 ft prewired leads L25 25 ft prewired leads L30 30 ft prewired leads	TB Tucson Black Cover NEMA LABEL OPTIONS NL1X1 1" X 1" ANSI Wattage Label NL2X2 2" X 2" ANSI Wattage Label OPTIC OPTIONS UA Unitized Assembly

Accessories: Order as separate catalog number.	
DECORATIVE BAND OPTIONS RBMX Ribs and Band Kit, Field installed <i>(Field installed. For use with units without factory installed ribs and band. Insert trim color for X)</i>	HOUSE-SIDE SHIELD OPTIONS GVDHSS90 House Side Shield Solid 90° GVDHSS12 House Side Shield Solid 120° GVDHSS18 House Side Shield Solid 180° GVDHSL90 House Side Shield for Lunar Optic Solid 90° GVDHSL12 House Side Shield for Lunar Optic Solid 120° GVDHSL18 House Side Shield for Lunar Optic Solid 180°

PERFORMANCE DATA

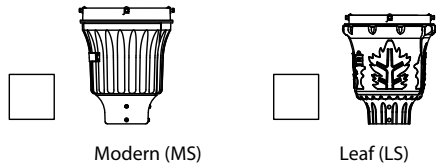
Performance Package	Distribution	Input Watts	27K (2700K CCT, 70 CRI)					30K (3000K CCT, 70 CRI)					40K (4000K CCT, 70 CRI)					50K (5000K CCT, 70 CRI)				
			Lumens	LPW	B	U	G	Lumens	LPW	B	U	G	Lumens	LPW	B	U	G	Lumens	LPW	B	U	G
P10	AL3	24	3,193	133	1	4	3	3,624	151	1	4	3	3,692	154	1	4	3	3,759	157	1	4	3
	AL5		3,184	133	2	3	2	3,614	151	2	3	2	3,681	153	3	3	3	3,748	156	3	3	3
	AL3LU		2,480	103	1	3	1	2,815	117	1	3	1	2,867	119	1	3	1	2,920	122	1	3	1
	AL5LU		2,661	111	2	3	1	3,021	126	2	3	1	3,077	128	2	3	1	3,133	131	2	3	1
P20	AL3	40	5,184	130	2	4	3	5,884	147	2	4	3	5,993	150	2	4	3	6,102	153	2	4	3
	AL5		5,168	129	3	4	3	5,866	147	3	4	3	5,975	149	3	4	3	6,084	152	3	4	3
	AL3LU		4,026	101	2	3	2	4,570	114	2	3	2	4,655	116	2	3	2	4,740	119	2	3	2
	AL5LU		4,320	108	2	3	1	4,904	123	2	3	2	4,995	125	3	3	2	5,085	127	3	3	2
P30	AL3	61	7,799	128	2	5	4	8,852	145	2	5	4	9,016	148	3	5	4	9,180	150	3	5	4
	AL5		7,775	127	3	4	3	8,826	145	3	4	4	8,989	147	3	5	4	9,153	150	3	5	4
	AL3LU		6,058	99	2	3	2	6,876	113	2	3	2	7,003	115	2	3	2	7,131	117	2	3	2
	AL5LU		6,499	107	3	3	2	7,377	121	3	3	2	7,514	123	3	3	2	7,651	125	3	3	2
P40	AL3	79	10,396	132	3	5	5	11,801	149	3	5	5	12,019	152	3	5	5	12,238	155	3	5	5
	AL5		10,365	131	4	5	4	11,765	149	4	5	4	11,983	152	4	5	4	12,201	154	4	5	4
	AL3LU		8,075	102	3	4	3	9,166	116	3	4	3	9,336	118	3	4	3	9,506	120	3	4	3
	AL5LU		8,664	110	3	3	2	9,835	124	3	3	2	10,017	127	3	3	2	10,199	129	3	3	3
P50	AL3	97	11,956	123	3	5	5	13,571	140	3	5	5	13,822	142	3	5	5	14,073	145	3	5	5
	AL5		11,920	123	4	5	4	13,530	139	4	5	5	13,781	142	4	5	5	14,031	145	4	5	5
	AL3LU		9,286	96	3	4	3	10,541	109	3	4	3	10,736	111	3	4	3	10,931	113	3	4	3
	AL5LU		9,964	103	3	3	2	11,310	117	3	3	3	11,519	119	3	3	3	11,729	121	3	3	3
P60	AL3	120	13,927	116	3	5	5	15,809	132	3	5	5	16,102	134	3	5	5	16,395	137	3	5	5
	AL5		13,886	116	4	5	5	15,762	131	4	5	5	16,054	134	4	5	5	16,346	136	4	5	5
P70	AL3	156	17,423	112	3	5	5	19,776	127	3	5	5	20,143	129	3	5	5	20,509	131	3	5	5
	AL5		17,371	111	4	5	5	19,717	126	5	5	5	20,083	129	5	5	5	20,448	131	5	5	5

FPDXX DATA OPTIONS

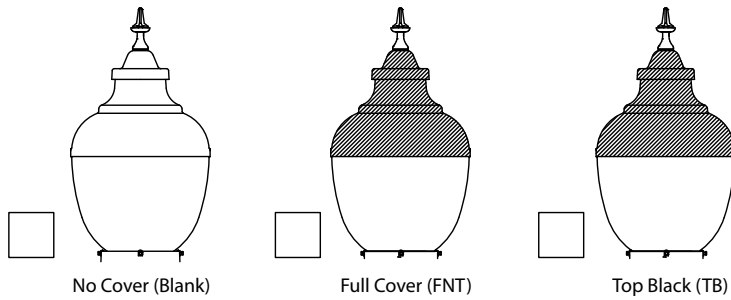
FPDxx Setting	Wattage	P10 27K				P10 30K				P10 40K				P10 50K			
FPDxx Setting	Wattage	AL3	AL5	AL3LU	AL5LU	AL3	AL5	AL3LU	AL5LU	AL3	AL5	AL3LU	AL5LU	AL3	AL5	AL3LU	AL5LU
Standard	24	3,193	3,184	2,480	2,661	3,624	3,614	2,815	3,021	3,692	3,681	2,867	3,077	3,759	3,748	2,920	3,133
FPD95	23	3,043	3,034	2,363	2,536	3,454	3,444	2,683	2,879	3,518	3,508	2,732	2,932	3,582	3,572	2,783	2,986
FPD90	22	2,892	2,884	2,246	2,410	3,283	3,273	2,550	2,736	3,344	3,334	2,597	2,787	3,405	3,395	2,645	2,838
FPDxx Setting	Wattage	P20 27K				P20 30K				P20 40K				P20 50K			
FPDxx Setting	Wattage	AL3	AL5	AL3LU	AL5LU	AL3	AL5	AL3LU	AL5LU	AL3	AL5	AL3LU	AL5LU	AL3	AL5	AL3LU	AL5LU
Standard	40	5,184	5,168	4,026	4,320	5,884	5,866	4,570	4,904	5,993	5,975	4,655	4,995	6,102	6,084	4,740	5,085
FPD95	37	4,941	4,926	3,837	4,118	5,608	5,591	4,356	4,674	5,712	5,695	4,437	4,761	5,816	5,799	4,518	4,847
FPD90	36	4,697	4,683	3,648	3,914	5,331	5,315	4,141	4,443	5,430	5,414	4,218	4,526	5,529	5,513	4,295	4,607
FPD85	33	4,452	4,438	3,457	3,710	5,053	5,038	3,925	4,211	5,147	5,131	3,998	4,290	5,240	5,225	4,071	4,367
FPD80	31	4,205	4,192	3,266	3,504	4,773	4,759	3,707	3,978	4,862	4,847	3,776	4,052	4,950	4,935	3,845	4,125
FPD75	29	3,958	3,945	3,073	3,298	4,492	4,478	3,489	3,744	4,575	4,561	3,554	3,813	4,658	4,645	3,619	3,882
FPDxx Setting	Wattage	P30 27K				P30 30K				P30 40K				P30 50K			
FPDxx Setting	Wattage	AL3	AL5	AL3LU	AL5LU	AL3	AL5	AL3LU	AL5LU	AL3	AL5	AL3LU	AL5LU	AL3	AL5	AL3LU	AL5LU
Standard	61	7,799	7,775	6,058	6,499	8,852	8,826	6,876	7,377	9,016	8,989	7,003	7,514	9,180	9,153	7,131	7,651
FPD95	58	7,741	7,717	6,013	6,451	8,786	8,760	6,825	7,322	8,949	8,922	6,951	7,458	9,112	9,085	7,078	7,594
FPD90	55	7,367	7,345	5,723	6,139	8,362	8,338	6,496	6,969	8,517	8,492	6,616	7,098	8,672	8,647	6,736	7,228
FPD85	52	6,990	6,969	5,430	5,825	7,934	7,911	6,163	6,612	8,081	8,057	6,277	6,735	8,228	8,204	6,392	6,858
FPD80	49	6,610	6,590	5,135	5,508	7,503	7,481	5,828	6,252	7,642	7,619	5,935	6,369	7,781	7,758	6,044	6,485
FPD75	46	6,226	6,207	4,836	5,189	7,067	7,046	5,490	5,889	7,198	7,176	5,591	5,999	7,329	7,307	5,693	6,108
FPDxx Setting	Wattage	P40 27K				P40 30K				P40 40K				P40 50K			
FPDxx Setting	Wattage	AL3	AL5	AL3LU	AL5LU	AL3	AL5	AL3LU	AL5LU	AL3	AL5	AL3LU	AL5LU	AL3	AL5	AL3LU	AL5LU
Standard	79	10,396	10,365	8,075	8,664	11,801	11,765	9,166	9,835	12,019	11,983	9,336	10,017	12,238	12,201	9,506	10,199
FPD95	76	10,239	10,209	7,953	8,533	11,623	11,588	9,028	9,687	11,838	11,802	9,195	9,866	12,053	12,017	9,363	10,045
FPD90	73	9,771	9,742	7,590	8,143	11,092	11,058	8,615	9,244	11,297	11,263	8,775	9,415	11,502	11,468	8,935	9,586
FPD85	69	9,295	9,267	7,220	7,746	10,551	10,519	8,195	8,793	10,746	10,714	8,347	8,956	10,942	10,909	8,499	9,119
FPD80	65	8,810	8,784	6,843	7,343	10,001	9,971	7,768	8,335	10,186	10,155	7,912	8,489	10,371	10,340	8,056	8,643
FPDxx Setting	Wattage	P50 27K				P50 30K				P50 40K				P50 50K			
FPDxx Setting	Wattage	AL3	AL5	AL3LU	AL5LU	AL3	AL5	AL3LU	AL5LU	AL3	AL5	AL3LU	AL5LU	AL3	AL5	AL3LU	AL5LU
Standard	97	11,956	11,920	9,286	9,964	13,571	13,530	10,541	11,310	13,822	13,781	10,736	11,519	14,073	14,031	10,931	11,729
FPD95	93	11,932	11,896	9,267	9,944	13,544	13,503	10,520	11,287	13,794	13,753	10,714	11,496	14,045	14,003	10,909	11,705
FPD90	88	11,399	11,364	8,853	9,500	12,939	12,899	10,050	10,783	13,178	13,139	10,236	10,982	13,417	13,377	10,422	11,182
FPD85	83	10,854	10,822	8,430	9,046	12,321	12,283	9,570	10,268	12,548	12,511	9,747	10,458	12,776	12,738	9,924	10,648
FPDxx Setting	Wattage	P60 27K				P60 30K				P60 40K				P60 50K			
FPDxx Setting	Wattage	AL3	AL5			AL3	AL5			AL3	AL5			AL3	AL5		
Standard	120	13,927	13,886			15,809	15,762			16,102	16,054			16,395	16,346		
FPD95	113	13,362	13,323			15,168	15,123			15,449	15,403			15,730	15,683		
FPD90	107	12,783	12,745			14,510	14,467			14,779	14,735			15,048	15,003		
FPD85	101	12,188	12,152			13,835	13,794			14,092	14,050			14,348	14,305		
FPDxx Setting	Wattage	P70 27K				P70 30K				P70 40K				P70 50K			
FPDxx Setting	Wattage	AL3	AL5			AL3	AL5			AL3	AL5			AL3	AL5		
Standard	156	17,423	17,371			19,776	19,717			20,143	20,083			20,509	20,448		
FPD95	148	16,778	16,728			19,043	18,987			19,397	19,339			19,749	19,691		
FPD90	140	16,106	16,058			18,281	18,227			18,620	18,565			18,959	18,902		
FPD85	133	15,408	15,362			17,489	17,436			17,813	17,760			18,137	18,083		
FPD80	126	14,684	14,640			16,667	16,617			16,976	16,925			17,284	17,233		

Mark Appropriate Box for Trim Option

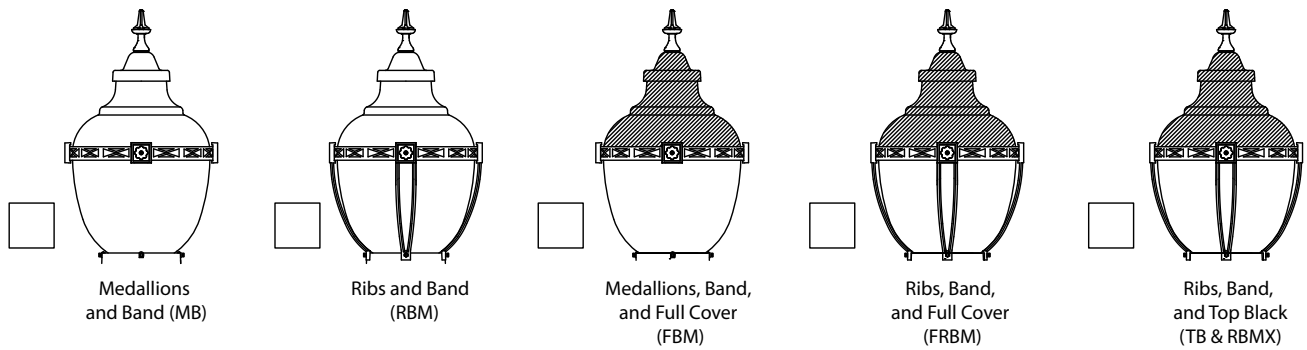
Housing



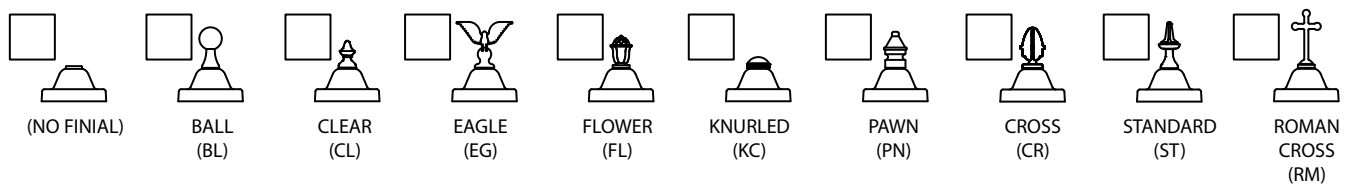
Cover



Ribs



Finial



OPTIONAL COMPONENTS



AO
Manual field adjustable output dimming device



RSBOR6
Motion and photosensor (Black) communicates wirelessly to other nLight AIR devices



20KV
Safeguard your investment from extreme voltage spikes with our new Extreme 20kV/10kA SPD



NLTAIR2
Fixture embedded nLight AIR network interface provides individual fixture control and digital dimming capabilities



The Rapid Ship Pole and Luminaire program provides quick solutions for urgent needs.

The most popular and readily available are available for those urgent projects. Select from the following options to get up to 20 units shipped in 20 working days or less!

ORDERING INFORMATION

Example: AWDE3 P50 30K MVOLT MS AL3 BK

Series	LED Performance Package	LED Color temperature	Voltage	Housing Style
AWDE3 Acrylic Washington Postlite Utility LED3	P10 3,700 nominal lumens	27K 2700K CCT	MVOLT Auto-Sensing 120-277V 56/60 HZ	MS Modern Style, Hinged Door
	P20 6,000 nominal lumens	30K 3000K CCT	HVOLT Auto-Sensing 347-480V 56/60 HZ	
	P30 9,000 nominal lumens	40K 4000K CCT		
	P40 12,000 nominal lumens	50K 5000K CCT		
	P50 13,800 nominal lumens			
	P60 16,100 nominal lumens			
	P70 20,100 nominal lumens			

Optics	Housing Color	Finial	Trim Colors
AL3 Acrylic, Type III	BK Black	(Blank) No Finial	TBK Black
AL5 Acrylic, Type V	BZ Bronze	CL Clear	TBZ Bronze
	GH Graphite	ST Standard	TGH Graphite
	GN Green	RM Roman Cross	TGL Gold
	GR Grey		TGN Green
	WH White		TGR Grey
			TWH White

Options: <i>Option Compatibility Matrix on page 3 of 4</i>			
CONTROLS OPTIONS AO Field Adjustable Output PR7 NEMA twistlock dimming photocontrol receptacle - 7 pin PR7E NEMA twistlock dimming photocontrol receptacle - 7 Pin (Under Glass) PCLL Long Life DTL Twistlock Photocontrol for Solid State, MVOLT SH Shorting Cap	DRIVER ELECTRICAL OPTIONS FPDxx Factory Programmed Driver 20KV Extreme surge protection 20kV/10kA, fail off with indicator light	PREWIRED LEAD OPTIONS L1H 1.5 ft prewired leads L03 3 ft prewired leads L10 10 ft prewired leads L20 20 ft prewired leads	NEMA LABEL OPTIONS NL1X1 1" X 1" ANSI Wattage Label NL2X2 2" X 2" ANSI Wattage Label PACKAGING OPTIONS UA Unitized Assembly

Accessories: <i>Order as separate catalog number.</i>	
HOUSE-SIDE SHIELD OPTIONS	
GVDHSS90	House Side Shield solid 90°
GVDHSS12	House Side Shield solid 120°
GVDHSS18	House Side Shield solid 180°