

Phuzion™ RPHS

Remote LED High Bay with Uplight



Catalog Number	
Notes	Type

Description

The Phuzion RPHS LED High Bay luminaire takes high-bay lighting to new levels of lumen output with intentional uplight. By marrying the latest in LED technology with the legendary illuminating dynamics of Holophane's prismatic glass, RPHS is designed for use in applications where uplight may be desired. Certain airborne contaminants may adversely affect the functioning of LEDs and other electronic components, depending on various factors such as concentrations of the contaminants, ventilation, and temperature at the end-user location. [Click here for a list of substances that may not be suitable for interaction with LEDs and other electronic components.](#)

Optics

- Prismatic borosilicate glass maintains highest levels of luminosity over time.
- Glass doesn't fade, discolor or otherwise degrade in harsh environments.
- Narrow and wide distributions.
- Highly engineered LED system ensures superior uniformity and maximizes spacing.
- 86% Downlight; 14% Uplight is standard.

Mechanical

- Robust cast aluminum housing with low copper content (0.6% CU content) withstands hot and dirty environments.
- Optical assembly comes with Non-disconnect box standard for stem attachment and wiring chamber.

Electrical

- 70, 80 and 90 CRI are available.
- 3000K, 3500K, 4000K OR 5000K CCT available.
- Fault-tolerant LED light engine continues to provide light even in failure of one LED.
- Luminaire Surge Protection Level: Designed to withstand up to 10kV/5kA per ANSI C82.77-5-2015.
- 93% lumen maintenance at 60,000 hours
- Remote driver assembly comes with 40 feet flex cable standard. This is the maximum length of the assembly when used with a 96 inch stem.
- 0 -10V dimming driver is standard, dims to 10%.

Listings

- CSA certified to US and Canadian standards
- Suitable for use in damp locations
- -40 °F (-40 °C) up to 122 °F (50 °C) ambient temperature rating (see chart on page 3)
- Patent D780,972

Warranty

5-year limited warranty. This is the only warranty provided and no other statements in this specification sheet create any warranty of any kind. All other express and implied warranties are disclaimed. Complete warranty terms located at: www.acuitybrands.com/support/warranty/terms-and-conditions

NOTE: Actual performance may differ as a result of end-user environment and application. All values are design or typical values, measured under laboratory conditions at 25 °C.

Typical Applications

- Retail
- Institutional
- Industrial
- Light manufacturing
- Warehousing
- Convention Centers

Dimensions: Inches (millimeters) unless otherwise noted.

Diameter: 22.0 (558.8)
Height: 11.97 (304.00)

Capable Luminaire

This item is an A+ capable luminaire, which has been designed and tested to provide consistent color appearance and out-of-the-box control compatibility with simple commissioning.

- All configurations of this luminaire meet the Acuity Brands' specification for chromatic consistency
- This luminaire is part of an A+ Certified solution for nLight® control networks marked by a **shaded background***

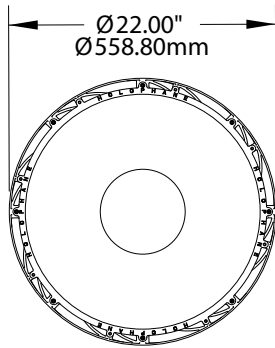
To learn more about A+, visit www.acuitybrands.com/aplus.

*See ordering tree for details

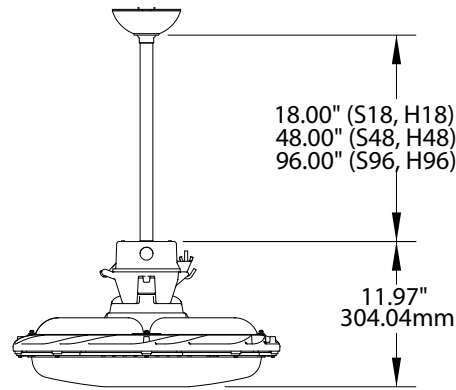
Phuzion™ RPHS

LED High Bay with Uplight

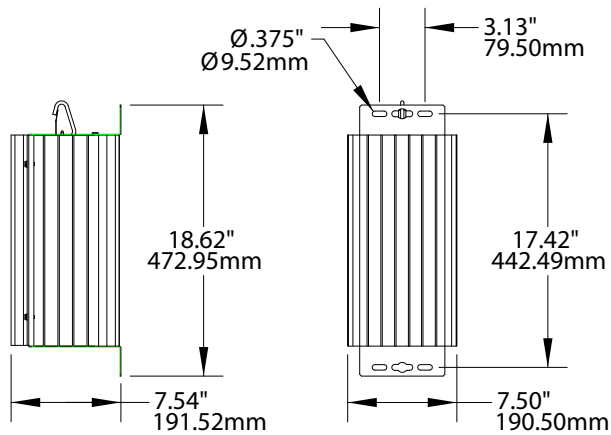
DIMENSIONAL DATA



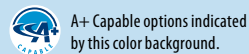
Diameter



Remote Optical Housing



Remote Electrical Housing



ORDERING INFORMATION

Example: RPHS 30000LM WD MVOLT 40K 80CRI DWHXD

Series	Lumens	Distribution	Voltage	Color temperature	Color rendering index	Stem length						
RPHS	12000LM	12,000 nominal lumens	ND	Narrow Glass	MVOLT	Auto sensing (120-277V, 50/60Hz)	30K	3000 K CCT	70CRI	(Blank)	no stem	
	15000LM	15,000 nominal lumens	WD	Wide Glass			35K	3500 K CCT	80CRI	H18	18 inch stem and canopy	
	18000LM	18,000 nominal lumens	NDFR	Narrow Frosted Glass	120	120V, 50/60Hz	40K	4000 K CCT	90CRI	H48	48 inch stem and canopy	
	24000LM	24,000 nominal lumens	WDFR	Wide Frosted Glass	208	208V, 50/60Hz	50K	5000 K CCT			H96	96 inch stem and canopy
	30000LM	30,000 nominal lumens			240	240V, 50/60Hz						
	35000LM	35,000 nominal lumens			277	277V, 50/60Hz						
	40000LM	40,000 nominal lumens			HVOLT	Auto sensing (347-480V, 50/60Hz)						
	45000LM	45,000 nominal lumens			347	347V, 50/60Hz						
					480	480V, 50/60Hz						

Options		Finish			
AO	Adjustable output (step dimming) ‡	Damp Location Cords (no plug): ‡	DBXD	Black super durable	
DIM	Dimming terminal ‡	CNP16W	Cord only, 16-gauge, 3 conductors, white, 6ft	DGRXD	Graphite super durable
DIM2	2 Dimming terminals for independent control of uplight and downlight ‡	CNP165CD	Cord only, 16-gauge, 5 conductors, includes 0-10V dimming leads, black, 6ft ‡	DGXD	Gray super durable
WGX	Wire guard installed	CNP165CDW	Cord only, 16-gauge, 5 conductors, includes 0-10V dimming leads, white, 6ft ‡	DNXD	Satin nickel super durable
		Damp Location Cord Sets: ‡		DWHXD	White super durable
		CPTL16W	Cord with 15-amp twist lock plug, 16-gauge, 3 conductors, white, 6ft (120, 208, 240 or 277V only)		
		CPTL20A16W	Cord with 20-amp twist lock plug, 16-gauge, 3 conductors, white, 6ft (347 or 480V only)		
		Modular Wiring: ‡			
		OCS	Reloc® One Pass® circuit selector system drop, 18-gauge, 3 conductors, 6FT (120-480V) (LINK)		

NOTE: ‡ indicates option chosen has ordering restrictions. Please reference ordering restrictions chart. Options are sorted alphanumerically.

Accessories: Order as separate catalog number.	
WGPHS	Wire guard

‡ Option Value Ordering Restrictions & Notes	
Option value	Restriction
AO	Not available with DIM or DIM2.
CNP165CD, CNP165CDW	Not available with AO, DIM or DIM2.
Damp Location Cord Sets	Must specify voltage. 6' is standard, but other lengths are available. Must specify length in the nomenclature. Example: CPTL16W3FT. NEMA plug configurations: CPTL style with 120V = L5-15P, 208V or 240V = L6-15P, 277V = L7-15P, CPTL20A style with 347V = L24-20P, 480V = L8-20P.
Damp Location Cords (no plug)	6' is standard, but other lengths are available. Must specify length in the nomenclature. Example: CNP16W3FT.
DIM	Not available with AO or DIM.
DIM2	Not available with AO or DIM.
Modular Wiring	Must Specify voltage. Dry listed.

OPERATIONAL DATA

Ambient Temperature Ratings

Lumens	Mounting	Occupancy Sensor	Voltage	Max Ambient	Min Supply Wire Temp.
12000LM	All	No	All	60°C	75°C
12000LM	All	Yes	All	50°C	75°C
15000LM	All	No	All	60°C	75°C
15000LM	All	Yes	All	50°C	75°C
18000LM	All	No	All	55°C	75°C
18000LM	All	Yes	All	50°C	75°C
24000LM	All	No	All	55°C	75°C
24000LM	All	Yes	All	50°C	75°C
30000LM	All	No	All	50°C	75°C
30000LM	All	Yes	All	40°C	75°C
35000LM	All	Yes	All	50°C	75°C
35000LM	All	No	All	40°C	75°C
40000LM	All	Yes	All	50°C	75°C
40000LM	All	No	120V-277V	30°C	75°C
45000LM	All	Yes	All	50°C	75°C
45000LM	All	No	120V-277V	30°C	75°C

OPERATIONAL DATA

Projected Lumen Maintenance (TM-21)

Lumen Maintenance 12000LM Package

Ambient °C	0 Hours	15,000 Hours	30,000 Hours	45,000 Hours	60,000 Hours	100,000 Hours
25	1	0.98	0.96	0.95	0.93	0.89
30	1	0.98	0.96	0.95	0.93	0.89
35	1	0.98	0.96	0.95	0.93	0.89
40	1	0.98	0.96	0.95	0.93	0.89
45	1	0.98	0.96	0.94	0.92	0.88
50	1	0.97	0.95	0.93	0.91	0.86
55	1	0.97	0.95	0.92	0.90	0.84
60	1	0.97	0.94	0.92	0.89	0.83

Lumen Maintenance 15000LM Package

Ambient °C	0 Hours	15,000 Hours	30,000 Hours	45,000 Hours	60,000 Hours	100,000 Hours
25	1	0.98	0.96	0.95	0.93	0.89
30	1	0.98	0.96	0.95	0.93	0.89
35	1	0.98	0.96	0.94	0.93	0.89
40	1	0.98	0.96	0.94	0.92	0.87
45	1	0.97	0.95	0.93	0.91	0.86
50	1	0.97	0.95	0.92	0.90	0.84
55	1	0.97	0.94	0.91	0.89	0.82
60	1	0.96	0.93	0.90	0.88	0.80

Lumen Maintenance 18000LM Package

Ambient °C	0 Hours	15,000 Hours	30,000 Hours	45,000 Hours	60,000 Hours	100,000 Hours
25	1	0.98	0.96	0.95	0.93	0.89
30	1	0.98	0.96	0.95	0.93	0.89
35	1	0.98	0.96	0.94	0.93	0.89
40	1	0.98	0.96	0.94	0.92	0.88
45	1	0.97	0.95	0.93	0.91	0.86
50	1	0.97	0.95	0.93	0.90	0.85
55	1	0.97	0.94	0.92	0.89	0.83

Lumen Maintenance 24000LM Package

Ambient °C	0 Hours	15,000 Hours	30,000 Hours	45,000 Hours	60,000 Hours	100,000 Hours
25	1	0.98	0.96	0.95	0.93	0.89
30	1	0.98	0.96	0.94	0.93	0.88
35	1	0.98	0.96	0.94	0.92	0.87
40	1	0.97	0.95	0.93	0.91	0.85
45	1	0.97	0.94	0.92	0.90	0.84
50	1	0.97	0.94	0.91	0.89	0.82
55	1	0.96	0.93	0.90	0.87	0.80

OPERATIONAL DATA

Projected Lumen Maintenance (TM-21)

Lumen Maintenance 30000LM Package

Ambient °C	0 Hours	15,000 Hours	30,000 Hours	45,000 Hours	60,000 Hours	100,000 Hours
25	1	0.98	0.96	0.94	0.92	0.88
30	1	0.97	0.95	0.93	0.91	0.86
35	1	0.97	0.95	0.92	0.90	0.84
40	1	0.97	0.94	0.92	0.89	0.83
45	1	0.96	0.93	0.91	0.88	0.81
50	1	0.96	0.93	0.90	0.87	0.79

Lumen Maintenance 35000LM Package

Ambient °C	0 Hours	15,000 Hours	30,000 Hours	45,000 Hours	60,000 Hours	100,000 Hours
25	1	0.96	0.93	0.90	0.88	0.81
30	1	0.95	0.93	0.90	0.87	0.80
35	1	0.95	0.92	0.89	0.86	0.79
40	1	0.95	0.92	0.89	0.86	0.78
45	1	0.94	0.90	0.87	0.83	0.75
50	1	0.93	0.89	0.85	0.81	0.72

Lumen Maintenance 40000LM Package

Ambient °C	0 Hours	15,000 Hours	30,000 Hours	45,000 Hours	60,000 Hours	100,000 Hours
25	1	0.95	0.92	0.89	0.87	0.80
30	1	0.95	0.92	0.89	0.86	0.78
35	1	0.94	0.91	0.87	0.84	0.76
40	1	0.94	0.90	0.86	0.82	0.73
45	1	0.93	0.88	0.84	0.80	0.69
50	1	0.92	0.87	0.82	0.77	0.65

Lumen Maintenance 45000LM Package

Ambient °C	0 Hours	15,000 Hours	30,000 Hours	45,000 Hours	60,000 Hours	100,000 Hours
25	1	0.95	0.92	0.89	0.86	0.79
30	1	0.95	0.91	0.88	0.85	0.77
35	1	0.94	0.90	0.86	0.82	0.74
40	1	0.93	0.88	0.84	0.80	0.70
45	1	0.92	0.87	0.82	0.77	0.66
50	1	0.91	0.85	0.79	0.74	0.62

Number of LED Boards and Drivers Used

Lumen Package	Number of Uplight LED Boards Per Fixture	Number of Downlight LED Boards Per Fixture	Number of Drivers Per Fixture
12000LM	4	4	1
15000LM	4	4	1
18000LM	4	4	1
24000LM	4	4	1
30000LM	4	4	2
35000LM	4	4	2
40000LM	4	4	2
45000LM	4	4	2

OPERATIONAL DATA (continued)

Operating Characteristics*

Lumen Package	Distribution	Input Watts	70CRI				80CRI				90CRI				
			3000K	3500K	4000K	5000K	3000K	3500K	4000K	5000K	3000K	3500K	4000K	5000K	
12000LM	ND	83	11550	11844	12632	12926	11151	11446	12138	12433	8978	9177	9377	9177	Lumens
			139	143	152	156	134	138	146	150	108	111	113	111	LPW
	NDFR	83	9673	9919	10579	10825	9339	9585	10165	10412	7519	7686	7852	7686	Lumens
			117	120	127	130	113	115	122	125	91	93	95	93	LPW
	WD	83	11845	12146	12954	13256	11436	11738	12448	12750	9207	9411	9616	9411	Lumens
			143	146	156	160	138	141	150	154	111	113	116	113	LPW
WDFR	83	9919	10172	10849	11101	9577	9830	10425	10677	7711	7882	8053	7882	Lumens	
		120	123	131	134	115	118	126	129	93	95	97	95	LPW	

Lumen Package	Distribution	Input Watts	70CRI				80CRI				90CRI				
			3000K	3500K	4000K	5000K	3000K	3500K	4000K	5000K	3000K	3500K	4000K	5000K	
15000LM	ND	108	14548	14919	15911	16282	14046	14417	15290	15660	11309	11560	11811	11560	Lumens
			135	138	147	151	130	133	142	145	105	107	109	107	LPW
	NDFR	108	12184	12494	13325	13635	11763	12073	12804	13115	9471	9681	9891	9681	Lumens
			113	116	123	126	109	112	119	121	88	90	92	90	LPW
	WD	108	14920	15300	16317	16697	14405	14785	15680	16060	11597	11855	12112	11855	Lumens
			138	142	151	155	133	137	145	149	107	110	112	110	LPW
WDFR	108	12494	12813	13665	13983	12063	12382	13131	13449	9712	9928	10143	9928	Lumens	
		116	119	127	129	112	115	122	125	90	92	94	92	LPW	

Lumen Package	Distribution	Input Watts	70CRI				80CRI				90CRI				
			3000K	3500K	4000K	5000K	3000K	3500K	4000K	5000K	3000K	3500K	4000K	5000K	
18000LM	ND	133	17465	17910	19101	19546	16863	17308	18355	18800	13576	13878	14179	13878	Lumens
			131	135	144	147	127	130	138	141	102	104	107	104	LPW
	NDFR	133	14626	14999	15996	16369	14122	14494	15372	15744	11369	11622	11874	11622	Lumens
			110	113	120	123	106	109	116	118	85	87	89	87	LPW
	WD	133	17911	18367	19589	20045	17293	17749	18823	19280	13923	14232	14541	14232	Lumens
			135	138	147	151	130	133	142	145	105	107	109	107	LPW
WDFR	133	15000	15382	16405	16787	14482	14864	15764	16146	11659	11918	12177	11918	Lumens	
		113	116	123	126	109	112	119	121	88	90	92	90	LPW	

Lumen Package	Distribution	Input Watts	70CRI				80CRI				90CRI				
			3000K	3500K	4000K	5000K	3000K	3500K	4000K	5000K	3000K	3500K	4000K	5000K	
24000LM	ND	185	23299	23893	25482	26075	22495	23089	24486	25080	18111	18513	18915	18513	Lumens
			126	129	138	141	122	125	132	136	98	100	102	100	LPW
	NDFR	185	19512	20009	21340	21837	18839	19336	20506	21003	15167	15504	15840	15504	Lumens
			105	108	115	118	102	105	111	114	82	84	86	84	LPW
	WD	185	23894	24502	26132	26740	23069	23678	25111	25720	18573	18985	19398	18985	Lumens
			129	132	141	145	125	128	136	139	100	103	105	103	LPW
WDFR	185	20010	20520	21884	22394	19319	19829	21029	21539	15554	15899	16245	15899	Lumens	
		108	111	118	121	104	107	114	116	84	86	88	86	LPW	

Lumen Package	Distribution	Input Watts	70CRI				80CRI				90CRI				
			3000K	3500K	4000K	5000K	3000K	3500K	4000K	5000K	3000K	3500K	4000K	5000K	
30000LM	ND	246	29206	29950	31941	32685	28198	28942	30693	31437	22702	23206	23710	23206	Lumens
			119	122	130	133	115	118	125	128	92	94	96	94	LPW
	NDFR	246	24458	25081	26749	27372	23614	24237	25704	26327	19012	19434	19856	19434	Lumens
			99	102	109	111	96	99	104	107	77	79	81	79	LPW
	WD	246	29951	30714	32756	33519	28917	29680	31477	32239	23281	23798	24315	23798	Lumens
			122	125	133	136	118	121	128	131	95	97	99	97	LPW
WDFR	246	25082	25721	27432	28071	24217	24856	26360	26999	19497	19930	20363	19930	Lumens	
		102	105	112	114	98	101	107	110	79	81	83	81	LPW	

OPERATIONAL DATA (continued)

Operating Characteristics*

Lumen Package	Distribution	Input Watts	70CRI				80CRI				90CRI				
			3000K	3500K	4000K	5000K	3000K	3500K	4000K	5000K	3000K	3500K	4000K	5000K	
35000LM	ND	296	33934	34799	37113	37977	32763	33628	35663	36527	26378	26963	27549	26963	Lumens
			115	118	125	128	111	114	120	123	89	91	93	91	LPW
	NDFR	296	28418	29142	31080	31804	27438	28161	29866	30590	22090	22580	23071	22580	Lumens
			96	98	105	107	93	95	101	103	75	76	78	76	LPW
	WD	296	34800	35686	38060	38946	33599	34485	36573	37459	27051	27651	28252	27651	Lumens
			118	121	129	132	114	117	124	127	91	93	95	93	LPW
	WDFR	296	29143	29886	31873	32616	28138	28880	30628	31370	22654	23157	23660	23157	Lumens
			98	101	108	110	95	98	103	106	77	78	80	78	LPW

Lumen Package	Distribution	Input Watts	70CRI				80CRI				90CRI				
			3000K	3500K	4000K	5000K	3000K	3500K	4000K	5000K	3000K	3500K	4000K	5000K	
40000LM	ND	354	38681	39666	42304	43290	37346	38331	40652	41637	30068	30735	31403	30735	Lumens
			109	112	120	122	105	108	115	118	85	87	89	87	LPW
	NDFR	354	32393	33219	35428	36253	31276	32101	34044	34869	25180	25739	26298	25739	Lumens
			92	94	100	102	88	91	96	99	71	73	74	73	LPW
	WD	354	39668	40678	43384	44394	38299	39309	41689	42699	30835	31519	32204	31519	Lumens
			112	115	123	125	108	111	118	121	87	89	91	89	LPW
	WDFR	354	33220	34066	36332	37178	32074	32920	34912	35759	25823	26396	26969	26396	Lumens
			94	96	103	105	91	93	99	101	73	75	76	75	LPW

Lumen Package	Distribution	Input Watts	70CRI				80CRI				90CRI				
			3000K	3500K	4000K	5000K	3000K	3500K	4000K	5000K	3000K	3500K	4000K	5000K	
45000LM	ND	379	40674	41710	44484	45520	39270	40306	42746	43782	31617	32319	33020	32319	Lumens
			107	110	117	120	104	106	113	116	83	85	87	85	LPW
	NDFR	379	34062	34930	37253	38121	32887	33755	35798	36665	26477	27065	27653	27065	Lumens
			90	92	98	101	87	89	94	97	70	71	73	71	LPW
	WD	379	41712	42774	45619	46681	40272	41335	43837	44899	32423	33143	33863	33143	Lumens
			110	113	120	123	106	109	116	118	86	87	89	87	LPW
	WDFR	379	34932	35821	38204	39094	33726	34616	36711	37601	27153	27756	28359	27756	Lumens
			92	95	101	103	89	91	97	99	72	73	75	73	LPW

OPERATIONAL DATA

Performance with AO Adjustable Outputs

Lumen Packages 12000LM & 15000LM

AO Position	% Light Output	% Power Consumption
8	100%	100%
7	94%	94%
6	81%	81%
5	69%	69%
4	57%	57%
3	45%	45%
2	33%	33%
1	21%	21%

Lumen Packages 18000LM & 24000LM

AO Position	% Light Output	% Power Consumption
8	100%	100%
7	94%	93%
6	82%	80%
5	69%	67%
4	57%	55%
3	45%	42%
2	33%	30%
1	20%	18%

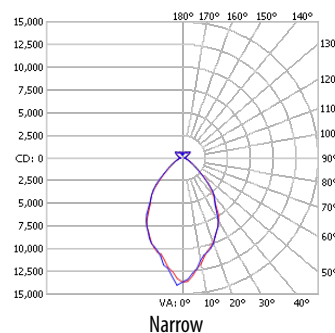
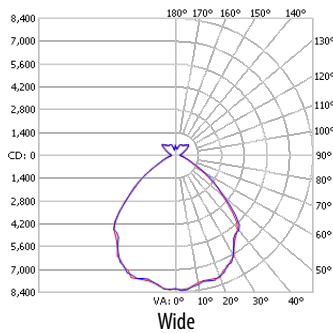
Lumen Packages 30000LM-45000LM

AO Position	% Light Output	% Power Consumption
8	100%	100%
7	94%	93%
6	83%	80%
5	72%	67%
4	59%	55%
3	47%	42%
2	34%	30%
1	20%	18%

LAT Factors

Ambient °C	12000LM	15000LM	18000LM	24000LM	30000LM	35000LM	40000LM	45000LM
25	1	1	1	1	1.00	1	1	1
30	0.99	0.99	0.99	0.99	0.99	0.99	0.99	0.99
35	0.99	0.99	0.99	0.99	0.98	0.98	0.98	0.98
40	0.98	0.98	0.98	0.98	0.97	0.97	0.97	0.97
45	0.97	0.97	0.97	0.97	0.96	0.96	0.96	0.96
50	0.97	0.97	0.96	0.96	0.95	0.95	0.95	0.95
55	0.96	0.96	0.96	0.96	NA	NA	NA	NA
60	0.95	0.95	NA	NA	NA	NA	NA	NA

DISTRIBUTION DATA



COMPONENTS & OPTIONS



Adjustable Output Module (AO)



OCS Reloc® One Pass® Drop Cable