

Petrolux® LED Low Bay

Wet Location for Demanding Environments

PXLW



Catalog Number	
Notes	Type

Description

- For demanding environments with lower mounting heights where dust, dirt and moisture are a concern.
- Certain airborne contaminants may adversely affect the functioning of LEDs and other electronic components, depending on various factors such as concentrations of the contaminants, ventilation, and temperature at the end-user location. [Click here for a list of substances that may not be suitable for interaction with LEDs and other electronic components.](#)

Optics

- Prismatic borosilicate glass directs light where needed and reduces harsh glare.
- Silicone rubber lens available that will not brown, chip, shatter or break.
- Four distributions (Type 5 low angle, Type 5 high angle, type 4 forward throw and Type 1 long and narrow) available to maximize versatility.
- Highly engineered LED system ensures superior uniformity and maximizes spacing.
- Lens assembly secured by stainless steel tamper-resistant Torx® T-20 screws.

Electrical

- Luminaire Surge Protection Level: Designed to withstand up to 10kV/5kA per ANSI C82.77-5-2015.
- 0-10V dimming driver is standard. Dims to 10%.
- XVOLT is an optional robust driver solution designed to assist with power quality issues and a dropped neutral in 277V input as derived from 480V Wye. Supports 277-480V; 6kV surge rated.
- 3000K, 4000K or 5000K CCT available.
- Fault-tolerant LED light engine continues to provide light even in the failure of one LED.
- Field Adjustable Output (AO) module - Onboard device that adjusts the light output and input wattage to meet site specific requirements. The AO module is preset at the factory to position number 8 (see chart on page 6).
- Integrated Bluetooth occupancy sensor: The SBG BTP is bluetooth enabled with dimming photocells. Allows you to change settings in the field using the VLP app.

Mechanical

- Super durable TGIC thermoset powder coat finish provides 1500 hours salt fog rating. CR (corrosion resistant) optional finish is a five-stage pre-treating and painting process that yields over 5,000 hours salt rating per ASTM B117.

Mechanical (cont.)

- Robust cast aluminum housing with low copper content (0.6% CU content) withstands harsh or hostile environments.

- Universal mount high profile top cover (ceiling/pendant). Optional universal arm available for wall/stanchion. Other mountings include, low profile hook/pendant mount and high profile yoke mount.
- Precise number of fins dissipate maximum amount of heat.
- Universal mount can be wall, stanchion, and angle mounted to accommodate a variety of arms.

Listings

- UL listed to meet US and Canadian standards.
- Suitable for use in wet locations.
- 40°F (-40°C) to 149°F (65°C) ambient temperature rating. (see chart on page 9)
- IP65, IP66 and IP67 rated. (see Option Value Ordering Restrictions & Notes on page 3)
- 1G vibration rated.
- Marine rated (see chart on page 9)
- NEMA 4X rated (see chart on page 9)
- NSF Splash Zone 2 and Non-Food Zone rated with FPA option.
- IK rated (see chart on page 6)
- DesignLights Consortium® (DLC) Premium qualified product. Not all versions of this product may be DLC Premium qualified. Please check the DLC Qualified Products List at www.designlights.org/QPL to confirm which versions are qualified.

Government Procurement

BAA – Buy America(n) Act: Product with the BAA option qualifies as a domestic end product under the Buy American Act as implemented in the FAR and DFARS. Product with the BAA option also qualifies as manufactured in the United States under DOT Buy America regulations. BABA – Build America Buy America: Product with the BAA option also qualifies as produced in the United States under the definitions of the Build America, Buy America Act. Please refer to www.acuitybrands.com/resources/buy-american for additional information.

Warranty

5-year limited warranty. This is the only warranty provided and no other statements in this specification sheet create any warranty of any kind. All other express and implied warranties are disclaimed. Complete warranty terms located at: www.acuitybrands.com/support/warranty/terms-and-conditions

Note: Actual performance may differ as a result of end-user environment and application. All values are design or typical values, measured under laboratory conditions at 25 °C.

Typical Applications

- Petroleum refineries
- Ethanol facilities
- Chemical plants
- Power plants
- Textile mills
- Water and wastewater treatment facilities
- Parking Garages

Dimensions: Inches (millimeters) unless otherwise noted.

Diameter: 13.11 in. (332.99 mm.)
 UNM Height: 11.43 in. (290.32 mm.)
 PM Height: 10.48 in. (266.19 mm.)
 Weight: 19 lbs. (8.62 Kg.)
 Pallet Quantity: 12 fixtures
 EPA: .787 ft²

A+ Capable Luminaire

This item is an A+ capable luminaire, which has been designed and tested to provide consistent color appearance and out-of-the-box control compatibility with simple commissioning.

- All configurations of this luminaire meet the Acuity Brands' specification for chromatic consistency
- This luminaire is part of an A+ Certified solution for nLight® control networks marked by a **shaded background***

To learn more about A+, visit www.acuitybrands.com/aplus.

*See ordering tree for details

A+ Capable options indicated by this color background.

ORDERING INFORMATION

Example: PXLW 3000LM MDU5 MVOLT 30K 80CRI UNM DNXD

Series	Lumens	Distribution	Voltage	Color Temperature	Color Rendering Index	Mounting Options						
PXLW	3000LM	3,000 lumens ‡	FWD	Forward throw, glass lens	MVOLT	Auto Sensing (120-277V, 50/60Hz)	30K	3000K CCT	70CRI	70CRI	UNM	Universal Mount, high profile top cap ‡
	5000LM	5,000 lumens ‡	LND	Long and narrow, glass lens	120	120V, 50/60Hz	40K	4000K CCT	80CRI	80CRI		
	8000LM	8,000 lumens	MD0	Medium glass lens with minimal uplight	208	208V, 50/60Hz	50K	5000K CCT	90CRI	90CRI	PM	Pendant Mount, low profile top cap ‡
			MDU5	Medium glass lens with uplight	240	240V, 50/60Hz	277	277V, 50/60Hz				
	10000LM	10,000 lumens	MDU5FR	Medium frosted glass lens with uplight	HVOLT	Auto Sensing (347-480V, 50/60Hz)	347	347V, 50/60Hz			YK90	Yoke Mount 0-90 Degree, high profile top cap ‡
			SO	Medium, silicone optic with minimal uplight ‡	480	480V, 50/60Hz	XVOLT	Enhanced Power Protection (277-480V, 50/60Hz) ‡				
			SOLND	Long and narrow, silicone optic ‡	277X	277V XVOLT Driver, 50/60Hz ‡	347X	347V XVOLT Driver, 50/60Hz ‡				
			SOWD	Wide, silicone optic ‡	480X	480V XVOLT Driver, 50/60Hz ‡	125VDC	125V, DC Driver ‡				
			WD	Wide, glass lens	250VDC	250C, DC Driver ‡						

Options	Finish
<p>Damp Location Cord Sets: ‡</p> <p>CPSB16W Cord with 15-amp straight blade plug, 16-gauge, 3 conductors, white, 6ft (120V only)</p> <p>CPTL16W Cord with 15-amp twist lock plug, 16-gauge, 3 conductors, white, 6ft (120, 208, 240, 277, 277X only)</p> <p>CPTL20A16W Cord with 20-amp twist lock plug, 16-gauge, 3 conductors, white, 6ft (347, 347X, 480 or 480X only)</p> <p>Wet Location Cord Sets: ‡</p> <p>CPTL16WWL Cord with 15-amp twist lock plug, 16-gauge, 3 conductors, white, 6ft (120, 208, 240, 277 or 277X only)</p> <p>CPTL20AWWL Cord with 20-amp twist lock plug, 16-gauge, 3 conductors, white, 6ft (347 or 347X only)</p> <p>Wet Location Cords (no plug): ‡</p> <p>CNP16WWL Cord only, 16-gauge, 3 conductors, white, 6ft</p> <p>CNP164CWL Cord only, 16-gauge, 4 conductors, black, 6ft ‡</p> <p>CNP165CDWWL Cord only, 16-gauge, 5 conductors, includes 0-10V dimming leads, white, 6ft ‡</p> <p>CNP165CDWL Cord only, 16-gauge, 5 conductors, includes 0-10V dimming leads, black, 6ft ‡</p> <p>Hook:</p> <p>HKMW 3/4" wet listed hook male, PF-291 ‡</p> <p>Emergency:</p> <p>E10WMCP Power Sentry® PS1055MCP, 10 watt internal constant power emergency driver, 5°C min, UL924 Compliant, Certified in CA Title 20 MAEDBS (120-277) (LINK) ‡</p> <p>Other Options:</p> <p>AO Field Adjustable Output, Standard setting is 8 ‡</p> <p>BAA Buy America(n) Act and/or Build America Buy America Qualified</p> <p>CR Corrosion resistant paint</p> <p>DL Damp location ‡</p> <p>EMD Ingress/Egress Marker Decal</p> <p>FPA Food processing area ‡</p> <p>NSG Non silicone gasket (EPDM) ‡</p> <p>PC Pendant cone ‡</p> <p>UPS Uplight Shield ‡</p> <p>WGX Zinc coated wire guard, factory installed</p>	<p>Individual Non-Dimming Sensors: ‡</p> <p>SBGR10 360° Low Mount Sensor, (8-15' mounting heights), on/off occupancy (LINK)</p> <p>SBGR10 P 360° Low Mount Sensor, (8-15' mounting heights), on/off photocell (LINK)</p> <p>Individual Dimming Sensor: ‡</p> <p>SBGR10 D 3V 360° Low Mount sensor, (8-15' mounting heights), high/low occupancy dimming (LINK)</p> <p>Photocontrols:</p> <p>BP Button style photo control, 120V-277V/347V ‡</p> <p>PER NEMA twist lock receptacle ‡</p> <p>PCS DTS, solid state photo control, 120V-277V ‡</p> <p>P34 DTL, solid state photo control, 347V ‡</p> <p>P48 DTL, solid state photo control, 480V ‡</p> <p>PSC Shorting cap ‡</p> <p>nLight® AIR Wireless: ‡</p> <p>NLTAIR2 RSBG10 nLight® Air Generation 2 enabled, 360° low mount sensor, (8-15' mounting heights) (LINK)</p> <p>*For 360° integral high mount sensors (15-30' mounting heights), replace "10" in nomenclature with "6". For 360° high bay sensors (40' mounting heights), replace "6" in nomenclature with "40". Ex: NLTAIR2 RSBG6</p> <p>NLTAIR2 RIO nLight® air Generation 2 enabled, fixture embedded, 0-10V dimming output (LINK)</p> <p>Bluetooth® Sensors: ‡</p> <p>SBG10 OCC BTP 360° Low Mount Sensor, (7-15' mounting heights), on/off occupancy, utilizes smart hub for Bluetooth® programmability (LINK)</p> <p>SBG10 HL BTP 360° Low Mount Sensor, (7-15' mounting heights), high/low/(off) occupancy dimming, utilizes smart hub for Bluetooth® programmability (LINK)</p> <p>SBG10 ADC BTP 360° Low Mount Sensor, (7-15' mounting heights), on/off occupancy with auto dimming photocell, utilizes smart hub for Bluetooth® programmability (LINK)</p> <p>SBG10 ANL BTP 360° Low Mount Sensor, (7-15' mounting heights), high/low/(off) occupancy dimming with auto dimming photocell, utilizes smart hub for Bluetooth® programmability (LINK)</p> <p>Mounting Accessories:</p> <p>072331 Substation arm for a single luminaire, up or down orientation. ‡</p> <p>072331CTL Substation arm for a single luminaire with integral sensor, up or down orientation. ‡</p> <p>072332 Substation arm for two luminaires, up and down orientation. ‡</p> <p>072332CTL Substation arm for two luminaires (one with a sensor and one without), up and down orientation. ‡</p> <p>P3US Universal arm for wall or stanchion mount ‡</p> <p>P3US35 35° Universal arm for wall or stanchion mount ‡</p>
<p>DBXD Black super durable ‡</p> <p>DGXD Gray super durable</p> <p>DNXD Satin Nickel super durable ‡</p> <p>DWHXD White super durable ‡</p>	

For Accessories and Footnotes, see next page.

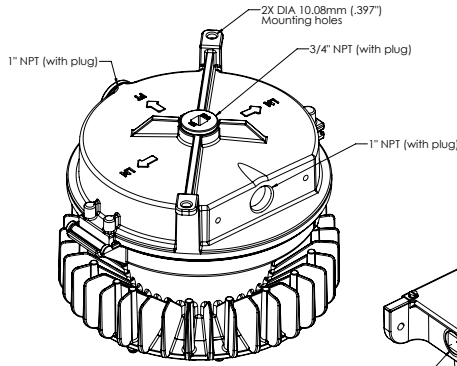
Accessories: Order as separate catalog number.

072331 XX	Substation arm for a single luminaire, up or down orientation. XX denotes color †	P3US XX	Universal arm for wall or stanchion mount, XX denotes color †
072331 CTL XX	Substation arm for a single luminaire with sensor, up or down orientation. XX denotes color †	P3US35 XX	35° Universal arm for wall or stanchion mount, XX denotes color †
072332 XX	Substation arm for two luminaires, up and down orientation. XX denotes color †	PCPXLW XX	Pendant Cone, XX denotes color †
072332 CTL XX	Substation arm for two luminaires (one with a sensor and one without), up and down orientation. XX denotes color †	PTASTA	Stanchion Mount Bracket, White †
HSCCK	X inch safety chain kit †	UPSPXLW XX	Uplight shield, XX denotes color †
MI3502 THREAD SEAL	Thread Sealant †	WGPXLW	Wire guard, zinc coated

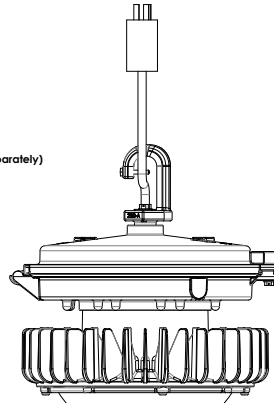
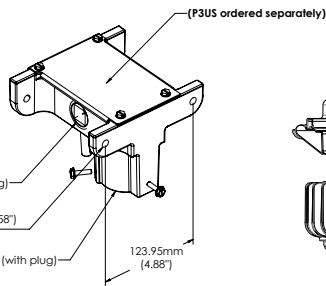
† Option Value Ordering Restrictions & Notes

Option value	Restriction
072331, 072331 XX	Not available with YK90, cord or cordset. Requires PM or UNM mounting. Includes one 5 conductor input feed cable with 0-10V dimming. Not IP or NEMA4X rated. Wet location rated.
072331CTL, 072331 CTL XX	Not available with YK90, cord or cordset. Requires PM or UNM mounting. Includes one 3 conductor input feed cable. Not IP or NEMA4X rated. Wet location rated.
072332, 072332 XX	Not available with YK90, cord or cordset. Requires PM or UNM mounting. Includes two 5 conductor cables for independent fixture control with 0-10V dimming. Not IP or NEMA4X rated. Wet location rated.
072332CTL, 072332 CTL XX	Not available with YK90, cord or cordset. Requires PM or UNM mounting. Includes one 3 conductor cable for the sensor to control both luminaires. Not IP or NEMA4X rated. Wet location rated.
125VDC, 250VDC	Not available with BP, PER, PCS, P34, P48, PSC photocontrols, or CPTL, CPSB cords which include plugs.
277X, 347X, 480X	Not available with 3000LM or 5000LM or E10WMCP.
3000LM, 5000LM	Not available with XVOLT, 277X, 347X or 480X.
AO	Not available with individual dimming SBGR sensors, bluetooth SBG BTP sensors, nLight air RSBG sensor, nLight air RIO module, CNP165CDWL, CNP165CDWWL five conductor cords or E10WMCP battery.
Bluetooth Sensors	Not available with HVOLT in the 3000LM or 5000LM lumen packages. BTP sensor options with 3000LM or 5000LM lumen packages cannot dim to OFF. These lumen packages will dim to 10% minimum and cannot be turned OFF with controls. Not available with XVOLT, 277X, 347X, 480X, AO adjustable output module, E10WMCP, CNP165CDWL, CNP165CDWWL five conductor cords or any other controls. IP65 and IP66 rated. Not Marine or NEMA4X rated.
BP	Must specify voltage. Not available with MVOLT, HVOLT, 480X, 125VDC, 250VDC, XVOLT, 480X, or YK90. Not Marine or NEMA4X rated.
CNP164CDWWL	Requires E10WMCP battery option. Not Marine or NEMA4X rated.
CNP165CDWL, CNP165CDWWL	Not available with AO adjustable output module, individual dimming SBGR sensors, bluetooth SBG BTP sensors, nLight air RSBG sensor, nLight air RIO module, E10WMCP battery or HKMW hook. Not Marine or NEMA4X rated.
Damp Location Cord Sets	Not available with 125VDC or 250VDC. Voltage must be specified. Requires DL and HKMW options. 6' is standard, but other lengths are available. Must specify length in the nomenclature. Example: CPTL16W3FT. NEMA plug configurations: (CPSB) 120 = 5-15P. (CPTL16W) 120 = L5-15P, 208 or 240 = L6-15P, 277 = L7-15P. (CPTL20A16W) 347 = L24-20P, 480 = L8-20P. Not Marine or NEMA4X rated.
DBXD, DNxD	Not Marine or NEMA4X rated.
DL	Required when damp location options are chosen. Luminaire is wet location listed only when ordered with wet location options. If luminaire is ordered with wet and damp location options, luminaire is damp location listed only and will include a damp label.
DWHXD	Not NEMA 4X rated.
E10WMCP	Available with UNM or YK90 only. Not available with AO adjustable output, PM pendant mount, HVOLT, 347, 480, XVOLT, 277X, 347X, 480X, bluetooth SBG BTP sensors, nLight air RSBG sensors, nLight air RIO, nLight air RPP20 ER or nLight wired NPP16 ER versions of the power packs. Available with individual dimming and non-dimming SBGR sensors. Only available cord option is the CNP164CDWWL cord option, but not required. Not Marine or NEMA4X rated.
FPA	SO or SOLND distribution and DWHXD finish required. Not available with YK90 mounting, E10WMCP battery or any external sensor or control. Not available with FWD, MD0, MDU5, MDU5FR, LND, WD distributions, DBXD, DGXD, DNxD finishes, SBGR individual dimming and non-dimming sensors, SBG BTP bluetooth sensors, RSBG nLight air sensors or nLight air RIO.
HKMW	Requires Cord or Cordset. Not available with CNP165CDWL, CNP165CDWWL five conductor cords. Not IP, Marine or NEMA4X rated. Wet Location rated.
HSCCK	X denotes length. Available in multiple sizes. Replace X with size in inches. Example: HSCCK120 = 120 inches or 10 feet.
Individual Dimming Sensor	Not available with XVOLT, AO adjustable output module or CNP165CDWL, CNP165CDWWL five conductor cords. IP65 and IP66 rated. Not Marine or NEMA4X rated.
Individual Non-Dimming Sensors	Not available with XVOLT. IP65 and IP66 rated. Not Marine or NEMA4X rated.
MI3502 THREAD SEAL	Order one per luminaire, 6ml tube.
nLight Air Wireless	Not available with HVOLT in the 3000LM or 5000LM lumen packages. nLight Air options with 3000LM or 5000LM lumen packages cannot dim to OFF. These lumen packages will dim to 10% minimum and the fixture cannot be turned OFF with controls. Not available with XVOLT, 277X, 347X, 480X, AO adjustable output, E10WMCP battery, CNP165CDWL, CNP165CDWWL five conductor cords, any other sensors or controls. IP65 and IP66 rated. Not Marine or NEMA4X rated.
NSG	Not available with SO, SOLND distribution, any external sensors or controls. Not Marine or NEMA4X rated.
P34	Requires PER option. Not available with 125VDC or 250VDC. Available with 347, 347X options only. Not Marine or NEMA4X rated.
P3US35, P3US	Not available with PM, YK90, cord or cordset. Requires UNM mounting. Not IP, Marine or NEMA4X rated.
P48	Requires PER option. Not available with 125VDC or 250VDC. Available with 480, 480X options only. Not Marine or NEMA4X rated.
PC, PCPXLW	Not available with UNM or YK90. Requires PM mounting. Requires minimum 8" customer provided stem. Not available with FPA option. Not Marine or NEMA4X rated.
PCS	Requires PER option. Not available with 125VDC or 250VDC. Available with MVOLT, 120, 208, 240, 277 or 277X options only. Not Marine or NEMA4X rated.
PER	Not available with 125VDC, 250VDC or YK90. Not Marine or NEMA4X rated.
PM	Not available with E10WMCP battery. Ships with 3/4" NPT pendant opening.
PSC	Requires PER option. Not available with 125VDC or 250VDC. Not Marine or NEMA4X rated.
PTASTA	Available with UNM or PM only. Threaded for 1.50-11.5 NPT (DN40) or slipfit for 1.50-11.5 NPT (DN40) conduit. Not IP, Marine or NEMA4X rated. Wet location rated.
SO, SOLND, SOWD	Not Marine or NEMA4X rated.
UNM	Includes provisions for 3/4" NPT pendant mount and ceiling mount. When ordered with the optional P3US universal mounting arm, includes provisions for 1.5" NPT stanchion mount and wall mount.
UPS, UPSPXLW XX	Not available with FPA option. When paired with any sensor option, the viewing angle will be cutoff.
Wet Location Cords (no plug)	6' is standard, but other lengths are available. Must specify length in the nomenclature. Example: CNP16WWL3FT. Not Marine or NEMA4X rated.
Wet Location Cord Sets	Not available with 125VDC or 250VDC. Voltage must be specified. Requires HKMW option. 6' is standard, but other lengths are available. Must specify length in the nomenclature. Example: CPTL20A16WWL10FT. NEMA plug configurations: (CPTL16WWL) 120 = L5-15P, 208 or 240 = L6-15P, 277 = L7-15P. (CPTL20A16WWL) 347 = L24-20P. Not Marine or NEMA4X rated.
XVOLT	Not Available with 3000LM or 5000LM or E10WMCP.
YK90	When used with a sensor, not rated for wet location beyond 35 degree tilt. Not Marine rated.

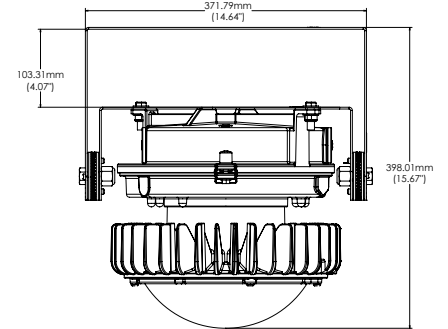
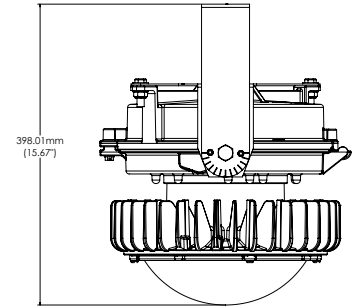
DIMENSIONAL DATA



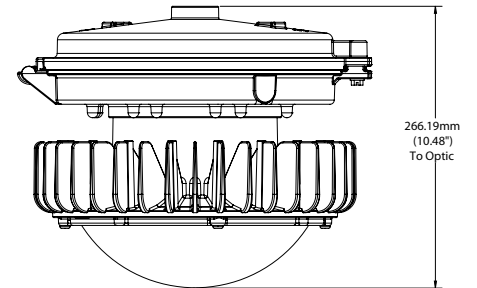
UNIVERSAL MOUNT (UNM and P3US)



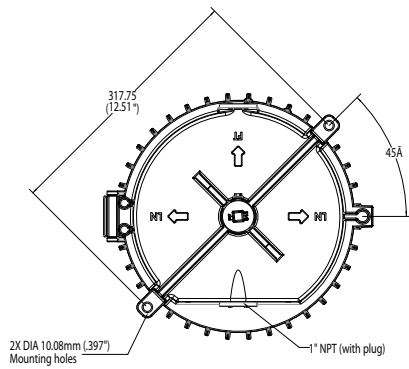
HOOK MOUNT (PM and HKMW)



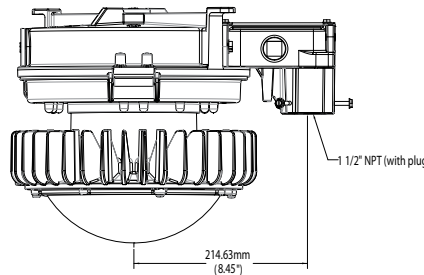
YOKE MOUNT 0-90° (YK90)



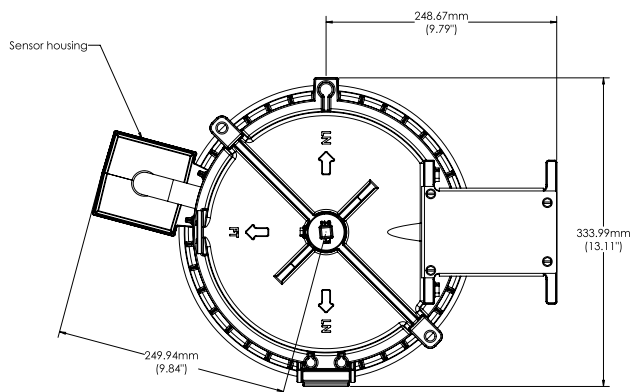
PENDANT MOUNT (PM)



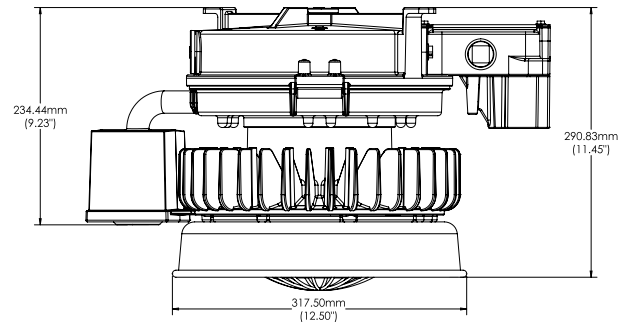
CEILING MOUNT (UNM)



**UNIVERSAL MOUNT (UNM and P3US)
 (P3US Ordered Separately)**

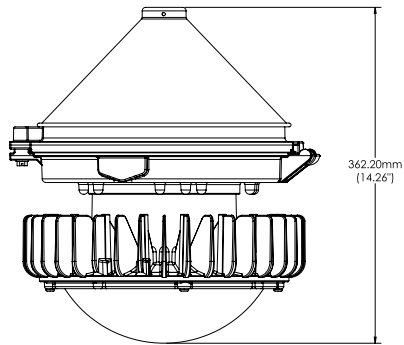


**SENSOR OPTION (UNM and P3US)
 (P3US Ordered Separately)**

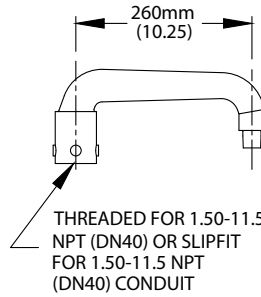


**UPLIGHT SHIELD OPTION
 (UNM, P3US, SENSOR and UPS)
 (P3US Ordered Separately)**

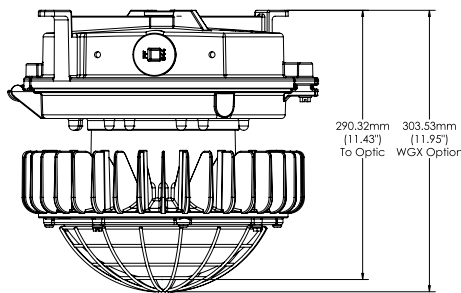
DIMENSIONAL DATA (continued)



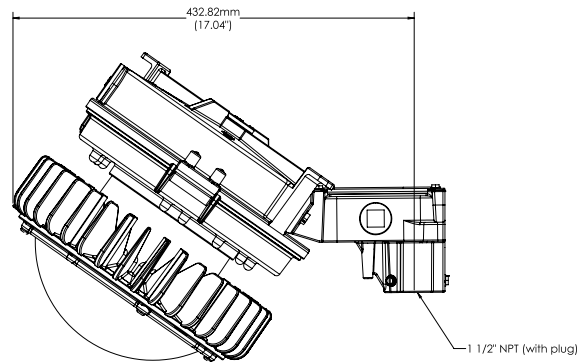
PENDANT CONE OPTION (PM and PC)



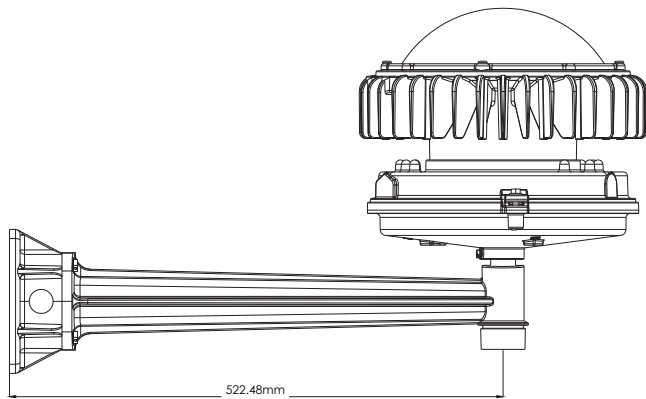
ALTERNATIVE STANCHION ARM (PTASTA)



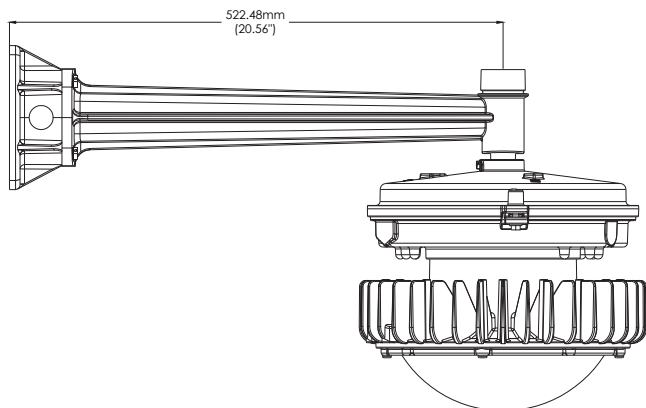
WIRE GUARD OPTION (UNM and WGX)



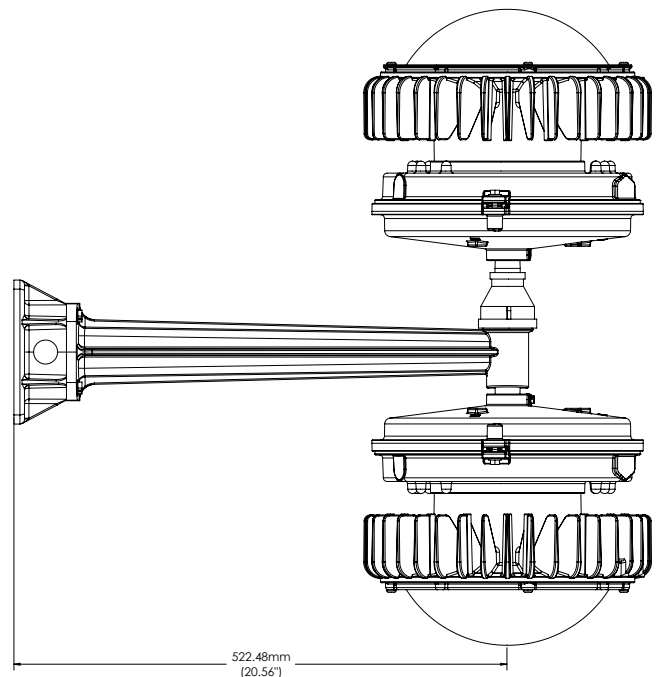
**UNIVERSAL MOUNT (UNM and P3US35)
(P3US35 Ordered Separately)**



072331 SUBSTATION ARM (PM) - UP ORIENTATION



072331 SUBSTATION ARM (PM) - DOWN ORIENTATION



**072332 TANDEM SUBSTATION ARM, (PM)
07233-2-CTL-XX (Tandem Substation arm with controls)**

OPERATIONAL DATA

Performance with AO Field Adjustable Output

FAO Setting	Base Max Lumen Output %
1	35%
2	48%
3	61%
4	74%
5	87%
6	100%
7	100%
8	100%

Number of LED Boards and Drivers Used

Lumen Package	Number of LED boards per fixture	Number of drivers per fixture
3000LM	1	1
5000LM	1	1
8000LM	1	1
10000LM	1	1

Impact Resistance (IK Ratings)

Lens Material	Rating
Glass	IK07
Silicone	IK10

Projected Lumen Maintenance (TM-21)

25C ambient						
Lumen Package	0 Hours	15,000 Hours	30,000 Hours	45,000 Hours	60,000 Hours	100,000 Hours
3,000LM	1	0.97	0.95	0.92	0.9	0.84
5,000LM	1	0.97	0.95	0.92	0.9	0.84
8,000LM	1	0.97	0.94	0.92	0.89	0.83
10,000LM	1	0.97	0.95	0.92	0.9	0.84

55C ambient						
Lumen Package	0 Hours	15,000 Hours	30,000 Hours	45,000 Hours	60,000 Hours	100,000 Hours
3,000LM	1	0.97	0.94	0.91	0.88	0.81
5,000LM	1	0.97	0.94	0.91	0.89	0.82
8,000LM	1	0.96	0.93	0.89	0.86	0.78
10,000LM	1	0.96	0.93	0.9	0.87	0.79

Default Bluetooth Sensor Programming

Model	Default Operation	Occupancy Time Delay	Photocell Mode	Photocell Set-point	Low Trim	High Trim	Dim to Off Time Delay
SBG10 OCC BTP	On/Off Occupancy Only	10 minutes	Disabled	n/a	n/a	100%	Disabled
SBG10 HL BTP	Occupancy w/ 0-10V Dimming (High/Low/Off)	10 minutes	Disabled	n/a	10%	100%	2.5 minutes
SBG10 ADC BTP	On/Off Occupancy with Auto Dimming Photocell	10 minutes	On/Off & Auto Dim	50 fc	10%	100%	0 seconds
SBG10 ANL BTP	High/Low/(Off) Occupancy Dimming with Auto Dimming Photocell	10 minutes	On/Off & Auto Dim	50 fc	10%	100%	Stay Dim/Never Off

Operating Characteristics †

Lumens	Distribution	Input Watts †	3000K			4000K			5000K			
			70CRI	80CRI	90CRI	70CRI	80CRI	90CRI	70CRI	80CRI	90CRI	
3000LM	FWD	21	2848	2621	2166	2988	2726	2184	3110	2760	2201	Lumens
			136	125	103	142	130	104	148	131	105	LPW
	LND	21	2698	2483	2053	2831	2583	2069	2947	2616	2086	Lumens
			128	118	98	135	123	99	140	125	99	LPW
	MDO	21	3034	2792	2308	3183	2904	2327	3314	2941	2346	Lumens
			144	133	110	152	138	111	158	140	112	LPW
	MDUS	21	3020	2780	2298	3169	2891	2316	3298	2928	2335	Lumens
			144	132	109	151	138	110	157	139	111	LPW
	MDU5FR	21	2700	2485	2054	2833	2584	2071	2949	2617	2087	Lumens
			129	118	98	135	123	99	140	125	99	LPW
	SO	21	3182	2928	2421	3338	3045	2440	3475	3084	2460	Lumens
			152	139	115	159	145	116	165	147	117	LPW
	SOLND	21	2850	2623	2168	2990	2728	2186	3113	2763	2203	Lumens
			136	125	103	142	130	104	148	132	105	LPW
	SOWD	21	3163	2911	2406	3319	3027	2426	3454	3066	2445	Lumens
			151	139	115	158	144	116	164	146	116	LPW
	WD	21	3098	2851	2357	3250	2965	2376	3383	3003	2395	Lumens
			148	136	112	155	141	113	161	143	114	LPW

Lumens	Distribution	Input Watts †	3000K			4000K			5000K			
			70CRI	80CRI	90CRI	70CRI	80CRI	90CRI	70CRI	80CRI	90CRI	
5000LM	FWD	35	4851	4465	3691	5090	4643	3720	5298	4703	3750	Lumens
			139	128	105	145	133	106	151	134	107	LPW
	LND	35	4597	4230	3497	4822	4399	3525	5020	4456	3553	Lumens
			131	121	100	138	126	101	143	127	102	LPW
	MDO	35	5169	4757	3932	5423	4947	3964	5645	5011	3996	Lumens
			148	136	112	155	141	113	161	143	114	LPW
	MDUS	35	5146	4735	3914	5398	4925	3946	5619	4988	3978	Lumens
			147	135	112	154	141	113	161	143	114	LPW
	MDU5FR	35	4600	4233	3499	4826	4402	3527	5023	4459	3556	Lumens
			131	121	100	138	126	101	144	127	102	LPW
	SO	35	5421	4988	4124	5687	5188	4157	5920	5254	4190	Lumens
			155	143	118	162	148	119	169	150	120	LPW
	SOLND	35	4856	4468	3694	5094	4647	3724	5303	4707	3754	Lumens
			139	128	106	146	133	106	152	134	107	LPW
	SOWD	35	5389	4959	4099	5653	5157	4133	5885	5224	4166	Lumens
			154	142	117	162	147	118	168	149	119	LPW
	WD	35	5278	4857	4015	5537	5051	4047	5764	5116	4080	Lumens
			151	139	115	158	144	116	165	146	117	LPW

Notes †	
Input Watts	120 volts.
Operating Characteristics	Absolute photometry calculated in accordance with IESNA LM-79-08 @ 25°C.

Operating Characteristics †

Lumens	Distribution	Input Watts †	3000K			4000K			5000K			
			70CRI	80CRI	90CRI	70CRI	80CRI	90CRI	70CRI	80CRI	90CRI	
8000LM	FWD	58	7750	7132	5896	8131	7417	5943	8463	7513	5991	Lumens
			134	123	102	140	128	102	146	130	103	LPW
	LND	58	7344	6758	5586	7704	7028	5632	8019	7118	5677	Lumens
			127	117	96	133	121	97	138	123	98	LPW
	MDO	58	8258	7599	6282	8663	7903	6333	9018	8005	6384	Lumens
			142	131	108	149	136	109	155	138	110	LPW
	MDU5	58	8220	7564	6253	8623	7867	6304	8976	7968	6354	Lumens
			142	130	108	149	136	109	155	137	110	LPW
	MDU5FR	58	7348	6762	5590	7709	7033	5635	8025	7123	5680	Lumens
			127	117	96	133	121	97	138	123	98	LPW
	SO	58	8660	7969	6588	9085	8288	6641	9457	8394	6694	Lumens
			149	137	114	157	143	115	163	145	115	LPW
	SOLND	58	7757	7139	5901	8138	7424	5949	8471	7519	5996	Lumens
			134	123	102	140	128	103	146	130	103	LPW
	SOWD	58	8609	7922	6549	9031	8239	6602	9401	8345	6655	Lumens
			148	137	113	156	142	114	162	144	115	LPW
	WD	58	8432	7759	6414	8845	8069	6466	9208	8173	6518	Lumens
			145	134	111	153	139	111	159	141	112	LPW

Lumens	Distribution	Input Watts †	3000K			4000K			5000K			
			70CRI	80CRI	90CRI	70CRI	80CRI	90CRI	70CRI	80CRI	90CRI	
10000LM	FWD	74	9796	9014	7452	10276	9375	7512	10697	9495	7572	Lumens
			132	122	101	139	127	102	145	128	102	LPW
	LND	74	9281	8541	7061	9737	8883	7118	10136	8997	7175	Lumens
			125	115	95	132	120	96	137	122	97	LPW
	MDO	74	10437	9605	7940	10950	9989	8004	11398	10117	8068	Lumens
			141	130	107	148	135	108	154	137	109	LPW
	MDU5	74	10389	9561	7904	10899	9943	7967	11345	10071	8031	Lumens
			140	129	107	147	134	108	153	136	109	LPW
	MDU5FR	74	9287	8547	7065	9743	8889	7122	10142	9003	7179	Lumens
			126	116	95	132	120	96	137	122	97	LPW
	SO	74	10945	10072	8326	11482	10475	8393	11952	10609	8461	Lumens
			148	136	113	155	142	113	162	143	114	LPW
	SOLND	74	9804	9022	7458	10285	9383	7519	10707	9504	7579	Lumens
			132	122	101	139	127	102	145	128	102	LPW
	SOWD	74	10881	10013	8277	11415	10413	8344	11882	10547	8411	Lumens
			147	135	112	154	141	113	161	143	114	LPW
	WD	74	10657	9807	8107	11180	10199	8172	11637	10330	8238	Lumens
			144	133	110	151	138	110	157	140	111	LPW

Notes †	
Input Watts	120 volts.
Operating Characteristics	Absolute photometry calculated in accordance with IESNA LM-79-08 @ 25°C.

Emergency Lumen Output

How to Estimate Delivered Lumens in Emergency Mode
 Use the formula below to estimate the delivered lumens in emergency mode
Delivered Lumens = P x LPW
 P = Output power of emergency driver
 LPW = Lumen per watt rating of the luminaire. (See charts on page 7)
 The LPW rating is also available at [Designlight Consortium](#)
 P = 10 watts for E10WMCP

Emergency Lumen Output Example - 10 Watt Battery

Approximate Luminaire Efficacy	Approximate Lumens at 1 Minute	Approximate Lumens at 45 Minutes	Approximate Lumens at 90 Minutes
100 LPW	1000	1000	1000
110 LPW	1100	1100	1100
120 LPW	1200	1200	1200
130 LPW	1300	1300	1300
140 LPW	1400	1400	1400
150 LPW	1500	1500	1500

Ambient Temperature Ratings

Mounting	SBGR Sensor	SBG BTP or NLTAIR2 RSBG Sensors or NLTAIR2 RIO Control Module	E10WMCP Battery	Voltage	Lumens				Supply Wire
					3000LM	5000LM	8000LM	10000LM	
PM UNM YK90	N	N	N	Any	-40°C to 65°C	-40°C to 65°C	-40°C to 60°C	-40°C to 55°C	90°C
			Y	120-277	5°C to 40°C	5°C to 40°C	5°C to 35°C	5°C to 35°C	90°C
		Y	Any	-40°C to 60°C	-40°C to 60°C	-40°C to 60°C	-40°C to 55°C	90°C	
	Y	N	N	Any	-40°C to 65°C	-40°C to 65°C	-40°C to 60°C	-40°C to 55°C	90°C
			Y	120-277	5°C to 40°C	5°C to 40°C	5°C to 35°C	5°C to 35°C	90°C
		N	Any	-40°C to 65°C	-40°C to 65°C	-40°C to 60°C	-40°C to 55°C	90°C	

Marine/NEMA4X Compatibility

Option Group	Options	Marine	NEMA4X
Distribution	FWD, MDO, MDU5, MDU5FR, LND, WD	YES	YES
	SO, SOLND, SOWD	NO	NO
Mounting	PM, UNM	YES	YES
	YK90	NO	YES
Finish	DBXD, DNXD	NO	NO
	DGXD	YES	YES
	DWHXD	YES	NO
Cordsets	Any Cordset	NO	NO
Hook	HKMW	NO	NO
Individual Sensors	SBGR10, SBGR10 P, SBGR10 D 3V	NO	NO
Bluetooth Sensors	SBG10 OCC BTP, SBG10 HL BTP, SBG10 ADC BTP, SBG10 ANL BTP	NO	NO
nLight Air	NLTAIR2 RSBG10, NLTAIR2 RIO	NO	NO
Emergency	E10WMCP	NO	NO
Photocontrols	BP, PER, PCS, P34, P48, PSC	NO	NO
Options	AO	YES	YES
	CR	YES	YES
	EMD	YES	YES
	FPA	YES	YES
	NSG	NO	NO
	PC, PCPXLW	NO	NO
	UPS, UPSPXLW	YES	YES
	WGX, WGPXLW	YES	YES
Mounting Accessories	072331, 072331CTL, 072332CTL, 072332CTL	YES	NO
	P3US, P3US35	NO	NO

Options and Accessories



HKMW (PF-291) Hook



SBGR Sensor



SBG BTP Sensor and Smarthub BTP Control Module



nLight Air RSBG Sensor



nLight Air RIO Control Module



AO Adjustable Output Module



PM Pendant Mount



UNM Universal Mount and WGX Wire Guard



YK90 Yoke Mount