



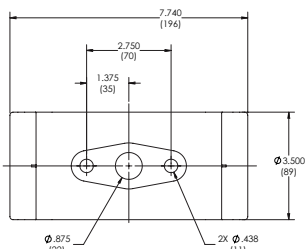
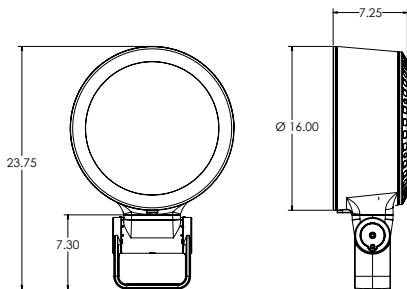
SAF28 RGBW SPECIALTY ARCHITECTURAL FLOOD MVOLT LED

Specifications

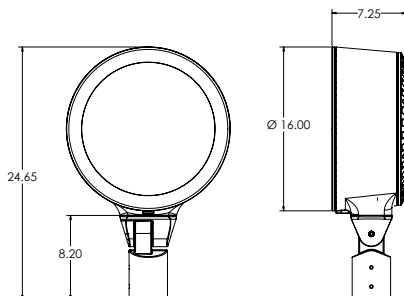
Weight: 66lbs.

EPA: KTM: 2.00
YM: 2.10

DIMENSIONS



YOKE



KNUCKLE

HIGHLIGHTS

- Suitable for a variety of mounting applications including ground, wall, pole, stanchion
- DMX/RDM
- Taper-Lock technology provides full aiming integrity utilizing both a rugged knuckle and yoke design
- White color temperature available in 30K and 40K
- 5000lm
- Minimalist design that provides clean and intentional lines and transitions
- Industry leading flow-thru design achieved with separately sealed optical chamber and driver
- Quad chip technology, enabling optimal color mixing under each individual optic. Avoid striations and color separation when wall grazing/washing
- NOM Listed
- IK10 option available



IP68



LUMEN PACKAGES

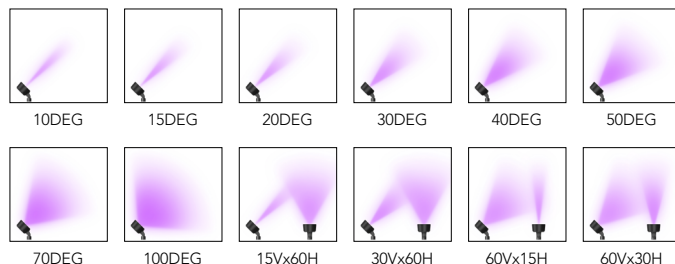
	10DEG	15DEG	20DEG	30DEG	40DEG	50DEG
Deliverd Lumens	5,830	5,563	5,526	5,452	5,363	5,325
Watts	164	164	164	164	164	164
LPW	36	34	34	33	33	32
Max Candela	146,729	49,514	33,923	13,749	7,991	5,789
	70DEG	100DEG	15Vx60H	30Vx60H	60Vx15H	60Vx30H
Deliverd Lumens	5,161	3507	5,688	5,491	5,323	5,246
Watts	164	164	164	164	164	164
LPW	31	21	35	33	32	32
Max Candela	3,523	1542	14,233	7,847	14,756	7,463

Note: Information based on RGBW4 @P1

Individual Channel Lumens	R	G	B	W
Scaling factor	0.51	0.71	0.17	0.79

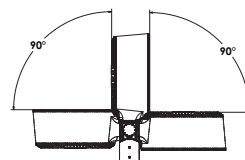
Note: Information based on RGBW4 @ Channel output maximum

STANDARD DISTRIBUTION

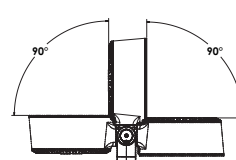


AIMING DETAIL

SAF28 KNUCKLE



SAF28 YOKE



ORDERING INFORMATION

EXAMPLE: SAF28 LED P1 RGBW3 MVOLT 6DEG FLC KTM CPM L1 DMX BL

SAF28											
Series*	Source*	Performance Packages*	LED Dynamic Range*	Voltage*	Distribution*	Lens*	Mounting*				
SAF28	Specialty Architectural Flood	LED	P1	RGBW3 30K white (80CRI) RGBW4 40K white (80CRI)	MVOLT	10DEG 10° 15DEG 15° 20DEG 20° 30DEG 30° 40DEG 40° 50DEG 50° 70DEG 70° 100DEG 100° 15VX60H 15° x 60° 30VX60H 30° x 60° 60VX15H 60° x 15° 60VX30H 60° x 30°	FLC Flat Lens Clear <i>Note: FLC lens IK08. For IK10 use external WRG option.</i>	KTM Knuckle Tenon Mount YM Yoke			
Mounting Accessories		Options Internal Accessory		Options	Control Input*	External		Finish*			
CPM	Cylindrical Pedestal Mount	L1	Prismatic Lens	CSL 10' - 50' of cord available in 5' increments <i>Note: Cord length required for Yoke Mounting only</i>	DMX	GS	Glare shield	BL	Black Textured		
CPMSA	Cylindrical Pole Mount Splice Access	L2	Linear Spread Lens			BRS	Bronze Smooth				
CSM_	Cylindrical Stancion Mount 12"-48" available in 6" increments	L3	Softening Lens			BRT	Bronze Textured				
CWMA_T	Cylindrical Wall Mount Arm Top 12", 18" and 24"	IHL	Honeycomb Louver			WRG	Wire Rock Guard	CF	Custom Finish		
PAR_/_	Pole Arm Mounting for Round Poles, available to use with 4", 5", 6" pole and available in lengths of 12", 18", 24"	<i>Note: Only one Internal accessory can be choosen</i> Hardware						DBL	Black Smooth		
PAS_/_	Pole Arm Mounting for Square Poles, available to use with 4", 5", 6" pole and available in lengths of 12", 18", 24"	TPH	Tamper proof hardware					DDB	Designer Bronze		
PATR_/_	Pole Arm Twin Mounting for Round Poles, available to use with 4", 5", 6" pole and available in lengths of 12", 18", 24"							DNA	Natural Aluminum		
PATS_/_	Pole Arm Twin Mounting for Square Poles, available to use with 4", 5", 6" pole and available in lengths of 12", 18", 24"							NBS	Natural Bronze Smooth		
TNM	Tenon Mount							VET	Verde Textured		
								WH	White Textured		
								WHS	White Smooth		
								_Z	Zinc Undercoat (i.e.BLZ) <i>Note: Zinc Undercoat provides corrosion protection for Marine Environment and Natatorium Construction</i>		
								CF	Custom Finish		
								RALTBD	RAL Paint Finishes <i>Note: RALTBD for pricing only, replace with applicable RAL call out when ready to order. See the RALBROCHURE for available options. It is recommended that Hydrel products only use textured paint.</i>		

*Required Fields

PERFORMANCE DATA

LUMEN OUTPUT – SAF28_RGBW

Lumen values are from photometric tests performed in accordance with IESNA LM-79-08. Data is considered to be representative of the configurations shown, within the tolerances allowed by Lighting Facts. Actual performance may differ as a result of end-user environment and application. Contact factory for performance data on any configurations not shown here.

Performance Package	System Watts	Distribution Type	Field Angle		Beam Angle		RGBW3			RGBW4		
			°H	°V	°H	°V	Max CD	Lumens	LPW	Max CD	Lumens	LPW
P1	164	10DEG	18	18	9	9	142,107	5,646	34	146,729	5,830	36
		15DEG	32	32	16	16	47,954	5,388	33	49,514	5,563	34
		20DEG	39	39	20	20	32,855	5,352	33	33,923	5,526	34
		30DEG	61	61	33	33	13,316	5,280	32	13,749	5,452	33
		40DEG	78	78	47	47	7,739	5,194	32	7,991	5,363	33
		50DEG	90	90	56	56	5,607	5,157	31	5,789	5,325	32
		70DEG	111	111	77	77	3,412	4,999	30	3,523	5,161	31
		100DEG	131	131	100	100	1493	3397	21	1542	3507	21
		15Vx60H	95	34	66	16	13,785	5,509	34	14,233	5,688	35
		30Vx60H	98	61	66	33	7,600	5,318	32	7,847	5,491	33
		60Vx15H	33	93	16	65	14,292	5,156	31	14,756	5,323	32
60Vx30H	62	100	34	68	7,228	5,081	31	7,463	5,246	32		

CSA LISTING TEMPERATURE: -30°C through 25°C

ELECTRICAL LOAD

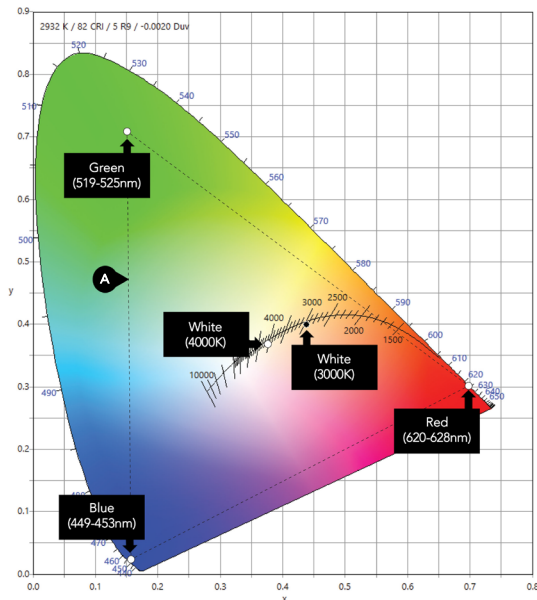
Light Engines	Drive Current (mA)	System Watts	Current (A)			
			120	208	240	277
RGBW P1 10+deg	500	172	1.44	0.85	0.75	0.68

LUMEN AMBIENT TEMPERATURE (LAT) MULTIPLIERS

Use these factors to determine relative lumen output for average ambient temperatures from 0-40°C (32-104°F)

Ambient	RGBW Lumen Multiplier
0°C	1.27
10°C	1.16
20°C	1.05
25°C	1.00
30°C	0.94
40°C	0.83

RGBW GAMUT AND RANGE



A RGBW Range within triangle formed by RGB

- The Gamut of a luminaire determines the potential color range, specifically the dominant wavelength of each primary color.
- The Path determines the range of colors the user can select for the luminaire.

ARCHITAINMENT COLOR GPHD

- **Gamut** Triangular
- **Path** Full RGB gamut
- **Handle** Four Handles: Red, Green, Blue, White
- **Data** DMX512/RDM

The RGBW Range reaches the full range of saturated colors and subtle pastels to create bold transformational effects.

Optical Scaling Charts*	
Symmetric Distributions (10DEG - 70DEG)	
GS	0.96
FGS	0.95
IHL	0.76
L1	0.95
L2	0.95
L3	0.97
WRG	0.81
*Wider distributions will have a lower scaling factor - see individual IES files for full details	
Asymmetric Distributions (xxVXxxH)	
GS	0.93*
FGS	0.85*
IHL	0.35
L1	0.88
L2	0.86
L3	0.95
WRG	0.71
*This table can be used to approximate the lumen values with different accessories. Please see IES files for exact lumen outputs.	


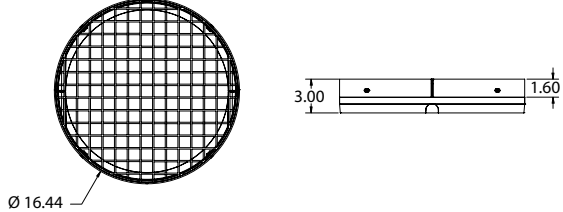

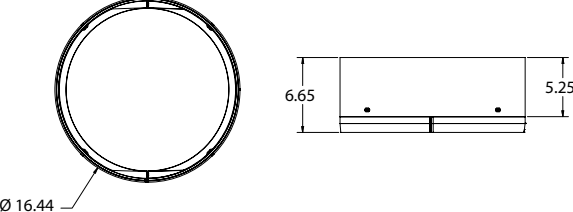

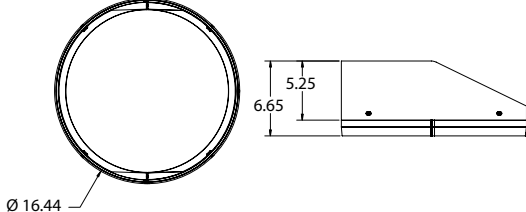
PHOTOMETRIC DIAGRAMS

To see complete photometric reports or download .ies files for this product, visit www.hydrrel.com

SAF MOUNTING ACCESSORIES

		Part #
	<p>CPM Cylindrical Pedestal Mount</p> <ul style="list-style-type: none"> • Suitable for architectural and landscape applications • Provided with front access cover for easy wiring and installation. 	<p>Example: CPM TC BL See spec sheet for more options</p>
	<p>CPMSA Cylindrical Pole Mount Splice Access</p> <ul style="list-style-type: none"> • Designed to mount atop of 4" round poles • Provided with splice compartment 	<p>Example: CPMSA TC DBL See spec sheet for more options</p>
	<p>CSM Cylindrical Stanchion Mount</p> <ul style="list-style-type: none"> • Available in heights from 12" to 48" in 6" increments • Provided with front access cover for easy wiring and installation. 	<p>Example: CSM12 XLSC BRT See spec sheet for more options</p>
	<p>CWMA T Cylindrical Wall Mount Arm End or Top</p> <ul style="list-style-type: none"> • Available in lengths from 12", 18", 24" • Supplied with splice cover for easy wiring and installation • End mounting only available with SAF7 	<p>Example: CWMA12T TC BRS See spec sheet for more options</p>
	<p>PAR/PAS Pole Arm Mounting</p> <ul style="list-style-type: none"> • Mid pole arms for use on 4", 5", 6" round or square poles • Pole arms lengths available in 12", 18", 24" • One mounting location on the top of each arm 	<p>Example: PAR4/12 XLSC BL See spec sheet for more options</p>
	<p>PATR/PATS Pole Arm Mounting</p> <ul style="list-style-type: none"> • Mid pole arms for use on 4", 5" 6" round or square poles • Pole arms lengths available in 12", 18", 24" • Two mounting locations on the top of each arm 	<p>Example: PATS5/18 XLSC BZ See spec sheet for more options</p>
	<p>TNM Tenon Mount</p> <ul style="list-style-type: none"> • Accepts 2-3/8" tenon mount fixture • Mounts independently over recessed 4-0/4-5 box or conduit stub 	<p>Example: TNM BL See spec sheet for more options</p>

EXTERNAL ACCESSORIES

		Part #
	<ul style="list-style-type: none"> • WRG -Wire Rock Guard 	Example: WRGSAF28 BL
	<ul style="list-style-type: none"> • FGS- Full Glare Shield 	Example: FGSSAF28 DDB
	<ul style="list-style-type: none"> • GS- Glare Shield 	Example: GSSAF28 BL

ACCESSORY OPTIONS

TAKE CONTROL

Hydrel lighting solutions bring ease of use, innovation, and next-generation control features to commercial, underwater, and architectural outdoor applications. We offer a dedicated team of specification engineers to take you through lighting design, the specification process, to the installation of our fixtures. We simplify the complex and help you create the right layer of light for any outdoor lighting environment. Find the right architectural outdoor fixture, controls, and network connectivity with Hydrel Lighting Solutions.

FRESCO CONTROL SYSTEM

Series	Model	Options	Finish
FCS Fresco Control System	7TSN 7" touchscreen with nLight port	X DMX/RDM control	DBL Black DWH White DNA Natural Aluminum



Refer to [FRESCO](#) spec sheet for additional details and options.

EASYL - LED SHOW CONTROLLER WITH LCD TOUCHSCREEN

Series	Voltage	Finish
EZSOLO Easy Solo	MVOLT 120V-277V VAC, 50/60Hz	BK Black
EZTOUCH Easy Touch		Wh White
EZPRO Easy Pro		



Refer to [EASYL](#) spec sheet for additional details and options.

PATHWAY Connectivity Solutions - DMX networking and advanced control

DMX512 networks create dynamic lighting. Dynamic lighting often brings a lot of color and movement to spaces. The DMX512 lighting protocol was created to serve the needs of performance lighting, such as in theaters or music venues. A DMX network is designed to support large amounts of data continually moving between controllers and luminaires, and at very high speeds. Many non-performance lighting applications also rely on DMX networks, to support RGB LED luminaires featured in applications such as building façades, hotel lobbies and corporate reception areas.

A DMX network always includes a controller and luminaires that are compatible with the DMX protocol. As well, DMX lighting systems must include network devices that route the DMX data to different locations between the controllers and luminaires.

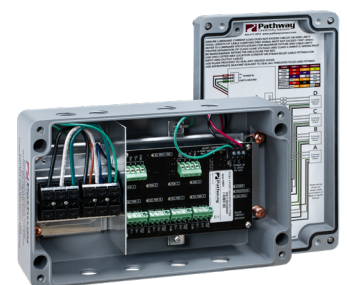
[Pathway Connectivity](#) provides these network devices, creating robust and secure network backbones. Pathway devices create bridges between Ethernet and DMX, and DMX and other kinds of lighting control protocols, such as RDM, nLight® or 0-10v.

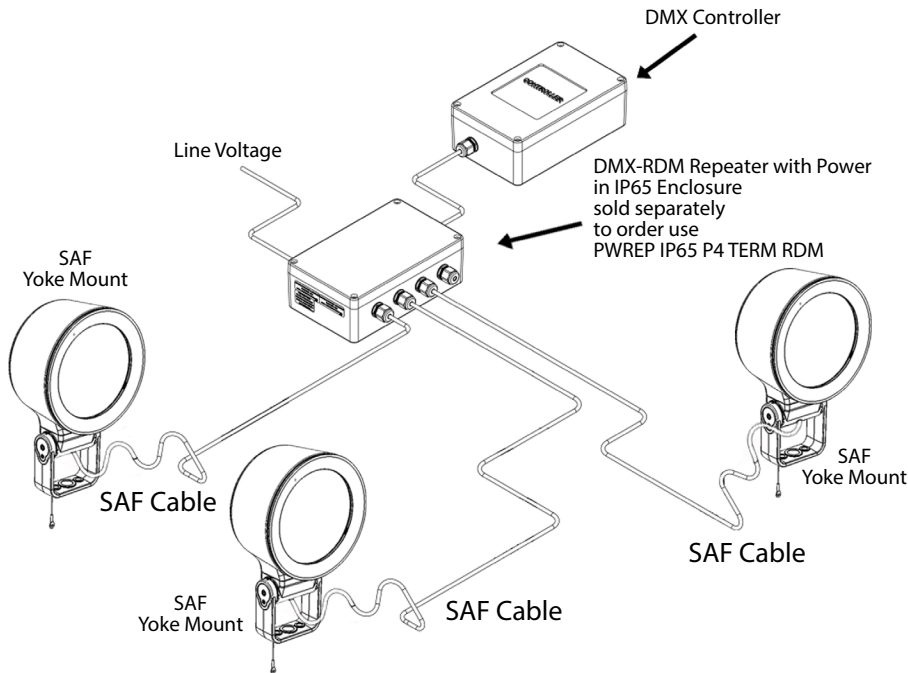


DMX-RDM Repeater with Power in IP65 Enclosure

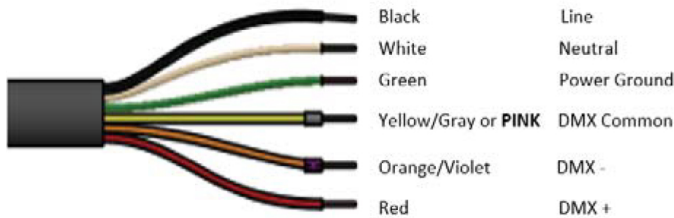
Model
PWREP IP65 P4 TERM RDM DMX-RDM Repeater with Power in IP65 Enclosure

Refer to [PWREP IP65](#) spec sheet for additional details.





Wiring Detail - DMX RGB Fixture



FEATURES & SPECIFICATIONS

MATERIAL: Die cast copper-free aluminum (A360) housing & doors with separate optical and driver compartments to ensure thermal isolation of the electronic drivers and LED's.

VOLTAGE: MVOLT 120V-277V.

DISTRIBUTION: Available in 10DEG, 15DEG, 20DEG, 30DEG, 40DEG, 50DEG, 70DEG, 100DEG, 15VX60H, 30VX60H, 60VX15H and 60VX30H.

LENS: Molded from heat strengthened borosilicate glass for superior clarity and strength.

MOUNTING: Adjustable knuckle is for mounting over 2-3/8" O.D. tenon. Yoke mount is a 7/8" thru hole center and (2) 7/16" thru holes 2.2" on center. Aluminum knuckle, yoke, & stainless steel locking hardware with infinite aiming adjustment capabilities and a wide array of mounting accessories. Yoke mount luminaires are provided with 10'-50' at 5ft increments of 18 gauge/6 conductor ST cord for power supply and control. Knuckle mount luminaires are provided with 18" leads (18 gauge for power supply and 22 gauge for control). Provided with standard 24" safety cable.

GLARE CONTROL: External glare control options include full glare shields and half glare shields.

FINISH: Exterior parts are protected by a zinc-infused super durable TGIC thermoset powder coat finish that provides superior resistance to corrosion and weathering. A tightly controlled multi-stage process ensures a minimum 3 mils thickness for a finish that can withstand extreme climates without cracking or peeling.

ELECTRICAL: MVOLT (120-277) LED power supply. 164 watts, minimum of L83 at 100,000 hours at 25°C. Class 1 electronic driver has a power factor >90%, THD<10%, and has an expected life of 100,000 hours with <1% failure rate. 10kV surge protection meets a minimum Category C low operation per ANSI/IEEE C62.41.2.

FEATURES: Taper lock knuckle and yoke for infinite aiming and an unparalleled locking ability.

EXTERNAL ACCESSORY: Impact resistant grid rock guard.

LISTING: cCSAus, suitable for outdoor & wet location. IP68

GOVERNMENT PROCUREMENT

BAA – Buy America(n) Act: Product qualifies as a domestic end product under the Buy American Act as implemented in the FAR and DFARS. Product also qualifies as manufactured in the United States under DOT Buy America regulations.

BABA – Build America Buy America: Product qualifies as produced in the United States under the definitions of the Build America, Buy America Act. Please refer to www.acuitybrands.com/resources/buy-american for additional information.

WARRANTY: 5-year limited warranty. This is the only warranty provided and no other statements in this specification sheet create any warranty of any kind. All other express and implied warranties are disclaimed. Complete warranty terms located at: www.acuitybrands.com/support/warranty/terms-and-conditions

Consult factory for details

NOTE: Actual performance may differ as a result of end-user environment and application. All values are design or typical values, measured under laboratory conditions at 25 °C. Specifications subject to change without notice.