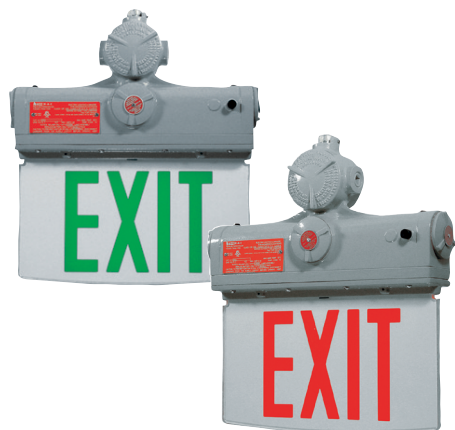


Catalog Number	
Notes	Type

## HDXE Series

Hazardous Locations



### Description

The HDX is an innovative LED exit sign series ideally used in hazardous environments where explosives may be present. In emergency mode, the LED sign stays illuminated to assist in safe egress.

### Optics

- Uses a maintenance-free 3 watt LED source with a typical life expectancy of 25 years.
- Includes red or green lettering on acrylic edge lit panel, single or double face.
- White or other color LED circuit boards and panels available.

### Electrical

- Solid-state electronic circuitry
- 120/277 VAC 60Hz dual voltage input

### Battery

- 3-hour sustained emergency operation with sealed nickel-cadmium battery backup providing full light output.

### Mechanical

- Body: A356T6 aluminum (less than .4% copper content) with baked-on epoxy powder coat finish.
- Gasket: One-piece silicone
- Sign: Acrylic
- Hardware: Stainless steel

### Installation

- Wall Mounting: Ships standard with wall mount plate which allows flush installation to the wall.

- Pendant Mounting: Ships standard with (3) 1/2" NPT hubs.
- End Mount Bracket: Optional end mount bracket is available to mount sign perpendicular to the wall.

### Listings

- UL844 (see matrix on page 2):  
Class 1, Division 1, Group C & D  
Class 1, Division 2, Group A, B, C & D  
Class 2, Division 1 & 2, Group E, F & G  
Class 3  
Simultaneous Presence Class 1 & 2
- IP 65
- UL1598A - Marine Outside Type
- UL924 - Emergency Lighting
- UL1598 - Wet Locations

### Warranty

5-year limited warranty. This is the only warranty provided and no other statements in this specification sheet create any warranty of any kind. All other express and implied warranties are disclaimed. Complete warranty terms located at: [www.acuitybrands.com/support/warranty/terms-and-conditions](http://www.acuitybrands.com/support/warranty/terms-and-conditions)

**Note:** Actual performance may differ as a result of end-user environment and application. All values are design or typical values, measured under laboratory conditions at 25 °C.

### Typical Applications

- Coal & Dust Storage
- Petroleum Refineries
- Ethanol Facilities
- Waste Water & Water Treatment Plants
- Chemical Plants
- Power Generation Plants
- Food Processing (Confectionary)
- Marine Outdoor

### Dimensions: Inches (millimeters) unless otherwise noted.

Length: 14.88 (378)  
Width: 3.69 (93.7)  
Height: 16 (406.4)  
Weight: 15 lbs. (6.8kg)



## ORDERING INFORMATION

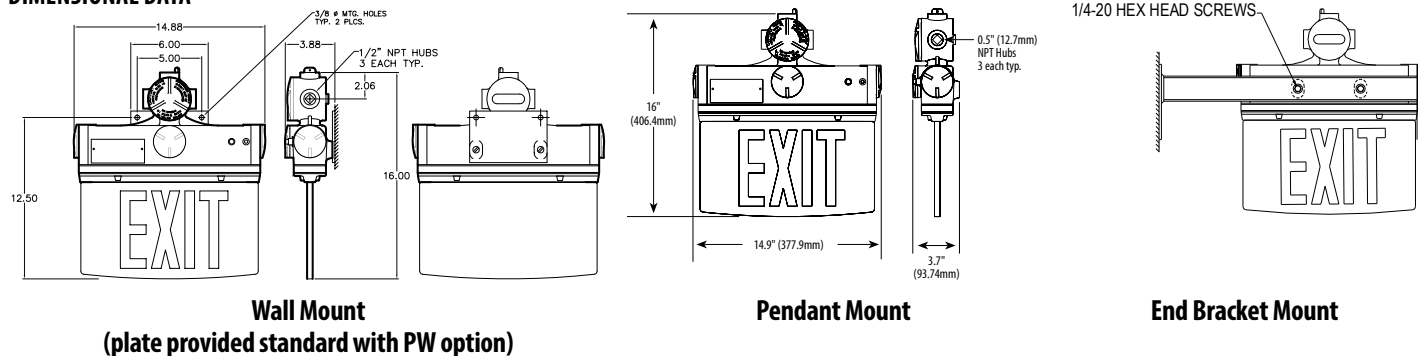
**Example:** HDXE 1 R 12/27 EL PW

Series	Number of Faces	Legend Color	Voltage	Emergency Option	Mounting
HDXE Hazardous exit sign	1 Single face 2 Double face	G Green R Red	12/27 120/277V 60Hz	(blank) AC Only EL Emergency Battery Backup, Ni-Cad	EMK End Mount Bracket PW Wall and pendant

# HDXE Series

Hazardous Locations

## DIMENSIONAL DATA



## OPERATIONAL DATA

### Operational Data - Electrical

Type	Typical LED Life	Supply Voltage	Max Input Power	Max Amperage
Red (AC only)	25 years	120	1.5 Watts	.0125 A
Red (AC only)	25 years	277	1.5 Watts	.0054 A
Red (AC only)	25 years	220	1.5 Watts	.0068 A
Red (AC only)	25 years	240	1.5 Watts	.0063 A
Red (EL Option)	25 years	120	2.5 Watts	.0208 A
Red (EL Option)	25 years	277	2.5 Watts	.009 A
Red (EL Option)	25 years	220	2.5 Watts	.0113 A
Red (EL Option)	25 years	240	2.5 Watts	.0104 A
Green (AC only)	25 years	120	2.3 Watts	.0192 A
Green (AC only)	25 years	277	2.3 Watts	.0083 A
Green (AC only)	25 years	220	2.3 Watts	.0096 A
Green (AC only)	25 years	240	2.3 Watts	.0096 A
Green (EL Option)	25 years	120	3.0 Watts	.025 A
Green (EL Option)	25 years	277	3.0 Watts	.0108 A
Green (EL Option)	25 years	220	3.0 Watts	.0136 A
Green (EL Option)	25 years	240	3.0 Watts	.0125 A

### Operational Data - Battery

Type	Typical Shelf Life	Typical Life	Voltage	Amperage
NICAD	7 yrs	7yrs	4.8V	600mA

### Operational Data - Temperature

Type	Min	Max	T-Code
Red Legend (AC or EL)	10°C (50°F)	55°C (131°F)	T6
Green Legend (AC or EL)	10°C (50°F)	40°C (104°F)	T6