



FEATURES & SPECIFICATIONS

INTENDED USE — Ideal for applications where steel housings or metal lamp heads are a requirement.

CONSTRUCTION — 18-gauge steel housing in instrument tan or white color finishes.

Hinged faceplate for easy maintenance.

OPTICS — Glass sealed-beam PAR36 lamps in thermoplastic housing.

ELECTRICAL — Dual-voltage input capability (120 or 277 volts).

Low-voltage disconnect prevents excessively deep discharge that can permanently damage the battery.

AC/LVD reset allows battery connection before AC power is applied and prevents battery damage from deep discharge.

Current limiting charger maximizes battery life and minimizes energy consumption.

Thermal protection senses circuitry temperature and adjust charge current to prevent overheating and charger failure.

Thermal compensation adjusts charger output to provide optimum charge voltage relative to ambient temperature.

BATTERY: Standard battery is sealed, maintenance-free, lead-acid (SLA) with wattage capacities for 90 minutes of emergency operation. 16-watts (C4216), 24-watts (C4224), 36-watts (C4236) and 50-watts (C4250).

LISTINGS — UL listed. Meets UL 924, NFPA 101 (current Life Safety Code), NEC and OSHA illumination standards.

WARRANTY — 3-year limited warranty. (Battery is prorated.) This is the only warranty provided and no other statements in this specification sheet create any warranty of any kind. All other express and implied warranties are disclaimed. Complete warranty terms located at:

www.acuitybrands.com/support/warranty/terms-and-conditions

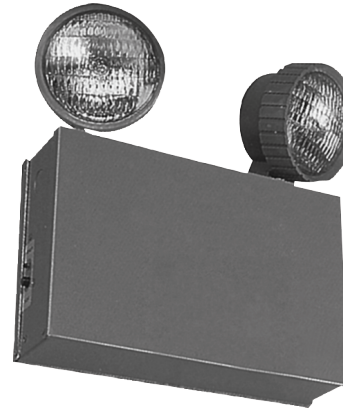
Note: Actual performance may differ as a result of end-user environment and application. Specifications subject to change without notice.

Catalog Number
Notes
Type

Cortez C42

Industrial Steel Emergency Lighting

C4216, C4224, C4236, C4250



Standard Lead-Acid (SLA) Battery
Optional Nickel-Cadmium

ORDERING INFORMATION

For shortest lead times, configure product using standard options (**shown in bold**)

Example: C4216 ITN H

Series	Housing color	Lamp heads	Lamp type	Options
C4216 16W/6V ¹	ITN Instrument tan	(blank) Two heads	<u>PAR36 sealed-beam</u>	LD Load disconnect switch
C4224 24W/6V	W White	RO Less lamp heads	H 8W halogen lamps ¹	TD Integral time delay ^{2,3}
C4236 36W/6V		MT Metal lamp heads	<u>PAR36 sealed-beam</u>	N Nickel-cadmium battery ⁴
C4250 50W/12V			<u>6 Volts</u>	AM Ammeter ^{2,5}
			H1206 12W/6V halogen	VM Voltmeter ^{2,5}
			<u>12 Volts</u>	NOM NOM Certified
			N2512 25W/12V incandescent	
			H1212 12W/12V halogen	

NOTES:

- H lamp type must be ordered with C4216. Halogen PAR-36 is available for both 6V and 12V.
- Uses larger housing when ordered with C4250 (see spec sheet [C42-125-180-275](#) for housing size and page 2 for drawing).
- Available on C4250 only.
- N is not available with C4236.
- AM and VM must be ordered together.

C4216/C4224/C4236/C4250 Industrial Steel Emergency Lighting

SPECIFICATIONS

ELECTRICAL Primary Circuit								
Type	AC Input			Output Volts	Watts Output ¹			
	Volts	Amps	Watts		1-1/2 hrs.	2 hrs.	3 hrs.	4 hrs.
C4216	120	.163	16.6	6	16	12	8	6
	277	.069	16.4					
C4224	120	.167	20	6	24	24	16	12
	277	.072	20					
C4236	120	.172	17.8	6	36	27	18	13.5
	277	.075	18					
C4250	120	.287	30	12	50	37	25	18
	277	.108	30					

BATTERY Sealed Lead-Acid (SLA)					
	Voltage	Typical shelf life ²	Typical life ²	Maintenance ³	Temperature Range ⁴
C4216	6	12 mos.	3-5 yrs.	none	60°-90°F
C4224	6				
C4236	6				
C4250	12				

BATTERY Nickel-Cadmium					
	Voltage	Typical shelf life ²	Typical life ²	Maintenance ³	Temperature Range ⁴
C4216	6	3 yrs.	7-9 yrs.	none	32°-100°F
C4224	6				
C4250	12				

NOTES

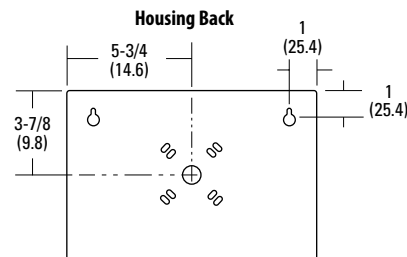
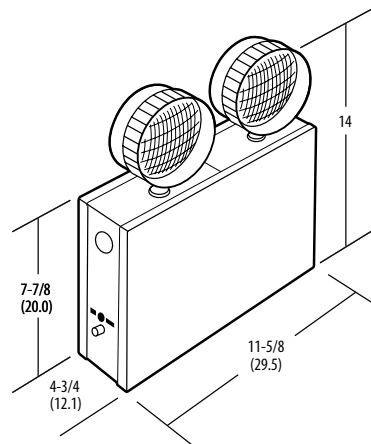
- 1 Watts to 87.5% of nominal voltage.
- 2 At 77°F (25°C).
- 3 All life safety equipment, including emergency lighting for path of egress must be maintained, serviced, and tested in accordance with all National Fire Protection Association (NFPA) and local codes. Failure to perform the required maintenance, service, or testing could jeopardize the safety of occupants and will void all warranties.
- 4 Temperature range where unit will provide rated capacity for 90 minutes. Higher and lower temperatures affect life and capacity.

MOUNTING

Shipping weight:

- C4216 - 12.8 lbs. (5.8 kgs.)
- C4224 - 12.8 lbs. (5.8 kgs.)
- C4236 - 17.3 lbs. (7.8 kgs.)
- C4250 - 17.3 lbs. (7.8 kgs.)
- C4250 - (large housing) 30.5 lbs. (13.8 kgs.)*

* For C4250 (large housing) dimensions, reference spec sheet#: [C42125-180-275](#)



Larger housing when ordering C4250 with TD option

