



8100 SERIES

36 LED; Monochromatic Yoke Mount

HIGHLIGHTS

- Expected service life of over 100,000 hours
- Corrosion resistant, zinc-infused, durable TGIC thermoset powder coat finish
- Copper free aluminum housing
- IP67 rated
- 3G rated

5
YEAR
warranty



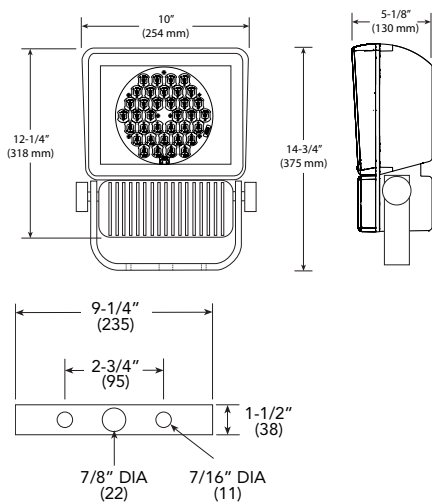
IP67



Specifications

EPA:	0.96 ft ² 0.089 m ²
Length:	10" 254 mm
Width:	5-1/8" 130 mm
Height:	14-3/4" 375 mm
Height ² :	12-1/4" 318 mm
Weight:	24.1lbs

DIMENSIONS



YOKE FOOT PRINT

ORDERING INFORMATION

EXAMPLE: 8100 36LED AMBPC MVOLT NSP YM SMSA18 LP BL

Series	Lamp type	Color	Voltage	Distribution	Mounting
8100	36LED 87 Watt	AMBPC PC Converted Amber	MVOLT (120-277 volt)	NSP Narrow Spot	YM Yoke Mount
		BLU Blue	347L 347 Volt	MFL Medium Flood	
		GRN Green		FL Flood	
		RED Red		WFL Wide Flood	
				VWFL Very Wide Flood (no optics)	
				HSP Horizontal Spot	
				HFL Horizontal Flood	

Mounting Accessories	Mounting Accessories (Cont'd)	Accessories	Options ²	Finish	Listing
ARJB Architectural Junction Box	PATS___ ¹ Pole Arm Twin Square 4", 5", or 6" Pole 12", 18", or 24" length (i.e. PATS6/12)	External ²	Photo Control	BL Black	NT ^{4,5} Natatorium Construction
EWM_ Ext. Wall Mt Available 12"- 48" in 6" increments	PMSA Pole Mt Splice Access	BD Barn Doors	PE1 ³ Photo Eye 120V	BZ Bronze	
FJB Flush Mount Junction Box	PMT Pole Mt Tee	FGS Full Glare Shield	PE7 ³ Photo Eye 208-277V	DDB Dark Bronze	
PAR___ Pole Arm Round 4", 5", or 6" Pole 12", 18", or 24" length (i.e. PAR5/18)	PSSA Ped. Stanchion Splice Access	HGS Half Glare Shield	Dimming	DNA Natural Aluminum	
PAS___ Pole Arm Square 4", 5", or 6" Pole 12", 18", or 24" length (i.e. PAS4/24)	SMSA___ Stan. Mt Splice Access available 12"-48" in 6" increments	WRG Wire Rock Guard	LDIM 0-10V Dimming (50% reduction)	GN Green	
PATR___ ¹ Pole Arm Twin Round 4", 5", or 6" Pole 12", 18", or 24" length (i.e. PATR6/12)	SMT12/24' Stanchion Mount Tee, 12" height, 24" arm length			GR Gray	
	SMT18/24' Stanchion Mount Tee, 18" height, 24" arm length			SND Sand	
	SMT24/24' Stanchion Mount Tee, 24" height, 24" arm length			STG Steel Gray	
	TRJB Tree Mount Junction Box.			TVG Terra Verde Green	
				WH White	
				CF Custom	
				___Z ⁴ Zinc Undercoat (i.e. BLZ)	
				RALTB RAL Paint Finishes	
				Note: RALTB for pricing only, replace with applicable RAL call out when ready to order. See the RALBROCHURE for available options. It is recommended that Hydrel products only use textured paint.	

ELECTRICAL LOAD

Light Engines	Drive Current (mA)	System Watts	Current (A)				
			120	208	240	277	347
36LED	700mA	87W	0.73	0.42	0.36	0.31	0.25

PROJECTED LED LUMEN MAINTENANCE

Data references the extrapolated performance projections for the Fixture platform in a 25°C ambient, based on 10,000 hours of LED testing (tested per IESNA LM-80-08 and projected per IESNA TM-21-11).

To calculate LLF, use the lumen maintenance factor that corresponds to the desired number of operating hours below. For other lumen maintenance values, contact factory.

Operating Hours	0	25,000	50,000	100,000
Lumen Maintenance Factor	1.0	0.9	0.8	0.65

Notes:

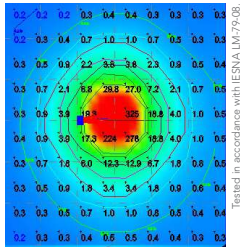
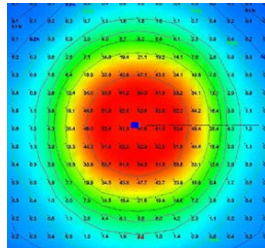
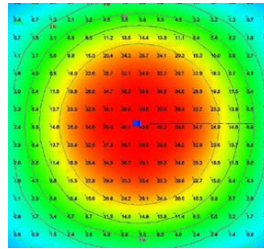
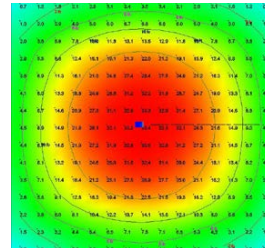
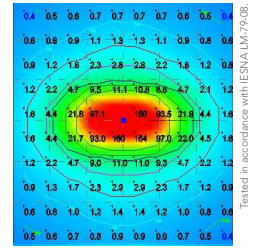
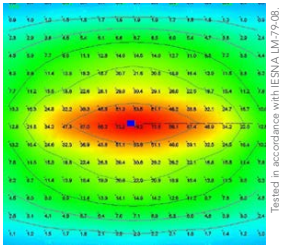
- Requires (2) two fixtures per mounting.
- Options are mutually exclusive, choose only one.
- PE not available with 347 volt.
- Add Zinc undercoat for harsh environments.
- Natorium rated Hydrel luminaires are built to withstand the elevated temperatures, high humidity and corrosive environments typically associated with natatoriums. Luminaires ordered with the "NT" nomenclature will have a zinc primer undercoat, zinc-infused super durable top coat, stainless steel hardware and IP67 ingress protection.

LUMEN AMBIENT TEMPERATURE (LAT) MULTIPLIERS

Use these factors to determine relative lumen output for average ambient temperatures from 0-40°C (32-104°F).

Ambient	Lumen Multiplier
0°C	1.02
10°C	1.01
20°C	1.00
25°C	1.00
30°C	1.00
40°C	0.99

PERFORMANCE DATA


NSL 2x2

MFL 4x4

FL 5x5

WFL 6x6

HSP 4x2

HFL 6X4

To see complete photometric reports or download .ies files for this product, visit www.hydrrel.com

LUMEN OUTPUT

Lumen values are from photometric tests performed in accordance with IESNA LM-79-08. Data is considered to be representative of the configurations shown, within the tolerances allowed by Lighting Facts. Actual performance may differ as a result of end-user environment and application. Contact factory for performance data on any configurations not shown here. IES files are run using white, 4100K chips, lumen output will vary based on the colors chosen.

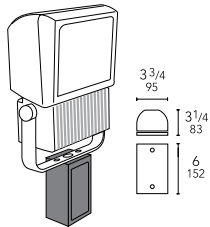
Light Engines	Drive Current (mA)	Distribution Type	Nema Type	Field Angle (10%)		Beam Angle (50%)		WHT 41K			
				°H	°V	°H	°V	Watts	LPW	Delivered Lumens	CRI
1	700mA	NSP	2x2	23.4	23.1	11.4	11.5	86.6	55	4632	72.3
		MFL	3x3	41.2	41.8	19.3	19.2	84.23	50	4183	68.9
		HSP	4x2	57.7	27.2	38.5	13.2	84	56	4673	68.3
		FL	5x5	80.7	81.1	62.1	65.6	87.83	45	3990	70.9
		WFL	6x6	126.8	124.7	101	93.7	88	50	4357	70.9
		VWFL	7x7	137.3	132.5	95.4	88.3	87.4	44	3866	71.3

LED LIFE: L70/86,000 hours

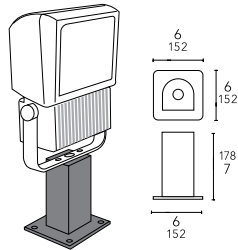
OPERATING TEMPERATURE: -30°C Through 40°C

MOUNTING OPTIONS

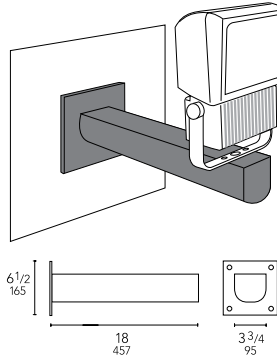
ARJB
ARCHITECTURAL JUNCTION BOX



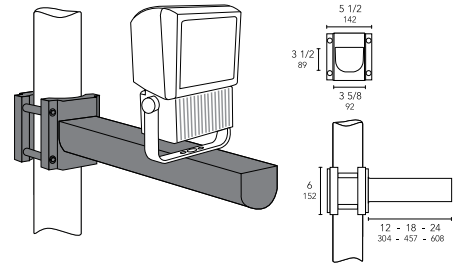
PSSA
7" PEDESTAL STANCHION WITH SPLICE ACCESS



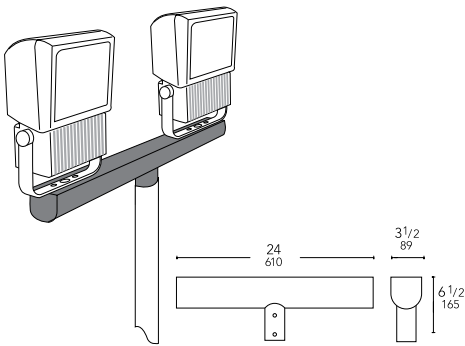
EWM
EXTENDED WALL MOUNT



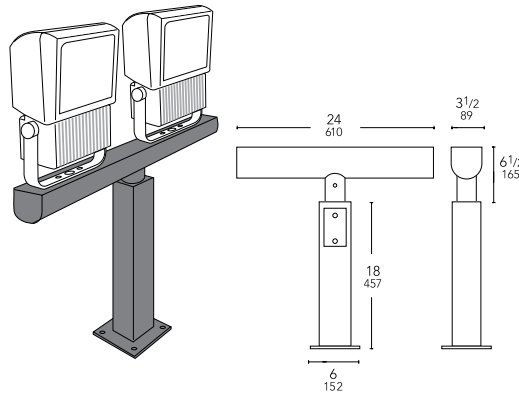
PAR/PAS & PATR/PATS (TWIN ARM)
POLE ARM ROUND/SQUARE



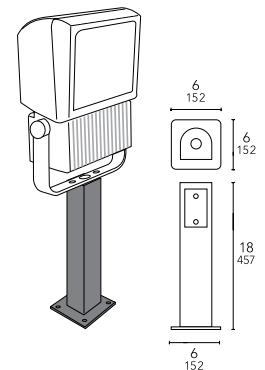
PMT
POLE MOUNT TEE



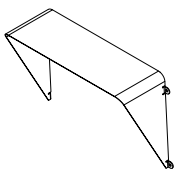
SMT
STANCHION MOUNT TEE
12", 18" or 24" HEIGHTS AVAILABLE



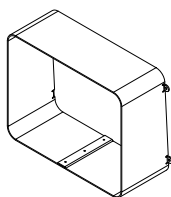
SMSA
STANCHION WITH SPLICE ACCESS



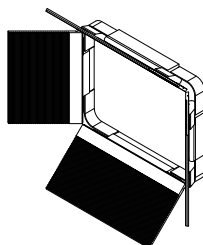
EXTERNAL ACCESSORIES



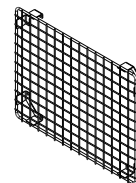
HGS - Half Glare Shield



FGS - Full Glare Shield



BD - Barn Doors



MRG - Wire Rock Guard

SPECIFICATIONS AND FEATURES

MATERIAL: Die Cast Copper Free Aluminum (A360) Housing and Doors.

LED: Monochromatic LEDs, 87W Max.

LIGHT DISTRIBUTIONS: Nema Flood (2x2 through 7x7), Horizontal Spot (4x2)

LENS: Flat tempered glass for maximum resistance to impact.

MOUNTING: Aluminum yoke & stainless steel locking hardware allows fixture head to be easily aimed and fixed in place. Fixtures are provided with 6' of 16/3 ST-W cord for supply method.

GLARE CONTROL: External Glare Control options include Barn Doors, Full and Half Glare Shields.

POWER SUPPLY: 120-277 or 347 volt LED Power Supply. 350 and 700 miliamps.

FINISH: Exterior parts are protected by a zinc-infused super durable THIC thermoset powder coat finish that provides superior resistance to corrosion and weathering. A tightly controlled multi-stage process ensures a minimum 3 mils thickness for a finish that can withstand extreme climates without cracking or peeling.

LISTING: CSA, CSAUS, IP67

GOVERNMENT PROCUREMENT

BAA – Buy America(n) Act: Product qualifies as a domestic end product under the Buy American Act as implemented in the FAR and DFARS. Product also qualifies as manufactured in the United States under DOT Buy America regulations.

BABA – Build America Buy America: Product qualifies as produced in the United States under the definitions of the Build America, Buy America Act.

Please refer to www.acuitybrands.com/resources/buy-american for additional information.

WARRANTY: 5-year limited warranty. Complete warranty terms located at:

www.acuitybrands.com/support/warranty/terms-and-conditions

Consult factory for details.

NOTE: Actual performance may differ as a result of end-user environment and application. All values are design or typical values, measured under laboratory conditions at 25 °C. Specifications subject to change without notice.