

FEATURES & SPECIFICATIONS

INTENDED USE — Typical applications include corridors, lobbies, conference rooms and private offices.

CONSTRUCTION — Retrofit, remodel, and new construction mounting types. See table for compatible ceiling openings and thickness range.

Optional goof rings available for additional overlap trim coverage.

1/2"-1-1/2" ceiling thickness

25° ambient temperature

IC rated up to 1000lm

OPTICS — LEDs are binned to a 3-step Mac Adam Ellipse. 55° cutoff

New construction frame accessories approved for 8 (4 in/4 out) No. 12 AWG conductors rated for 90°C through wiring.

80CRI standard (90CRI optional)

UGR — UGR is zero for fixtures aimed at nadir with a cut-off equal to or less than 60deg, per CIE 117-1996 Discomfort Glare in Interior Lighting. [UGR FAQ](#)

ELECTRICAL — Adjustable lumen output with four module options. Fixed lumen options also available. MVOLT 120/277V 50/60Hz driver (0-10V & 120V Phase Dimming to 10% or 1% min dimming level)

FCC CFR Title 47 Part 15 Class A for 277V. FCC CFR Title 47 Part 15 Class B for 120V.

LUMEN MAINTENANCE — L80 at 60,000 hours

LISTINGS — Certified to US and Canadian safety standards. Damp location standard (Wet Location (WL) optional, requires covered ceiling). TAA compliant. UFC (3-530-01) specification compliant for power factor and THD. GSA P100 6.2.4 compliant for power quality at full output; compliant up to 2000lm at fully dimmed output. Drivers are ROHS compliant

Title 24 compliant (90CRI, up to 1000lm).

WARRANTY — 5-year limited warranty. This is the only warranty provided and no other statements

in this specification sheet create any warranty of any kind. All other express and implied warranties

are disclaimed. Complete warranty terms located at: www.acuitybrands.com/support/warranty/terms-and-conditions

Note: Actual performance may differ as a result of end-user environment and application.

All values are design or typical values, measured under laboratory conditions at 25 °C.

Specifications subject to change without notice.

Catalog Number
Notes
Type

LBR6



6" Open and Wallwash LED Retrofit/Remodel Downlight

Retrofit | Remodel

Performance Data

LBR6 AR LSS MWD		80CRI							
Lumen Output	Wattage	30K/80CRI		35K/80CRI		40K/80CRI		50K/80CRI	
		Delivered Lumens	LPW	Delivered Lumens	LPW	Delivered Lumens	LPW	Delivered Lumens	LPW
ALO1 (500LM)	6	571	99	585	101	599	103	617	105
ALO1 (750LM)	9	905	102	926	103	948	105	977	108
ALO1 (1000LM)	13	1270	98	1300	100	1330	102	1372	104
ALO2 (1000LM)	13	1346	108	1378	110	1410	112	1454	115
ALO2 (1500LM)	19	1965	105	2011	107	2059	109	2123	111
ALO2 (2000LM)	25	2476	100	2533	101	2593	103	2674	106
ALO3 (2000LM)	25	2547	103	2606	105	2668	107	2751	109
ALO3 (2500LM)	32	3075	98	3146	100	3221	101	3321	104
ALO3 (3000LM)	38	3492	93	3573	95	3658	96	3771	99
ALO4 (4000LM)	39	4180	107	4265	109	4350	112	4393	113
ALO4 (4500LM)	44	4613	105	4707	107	4801	109	4848	110
ALO4 (5000LM)	49	5017	102	5119	104	5221	107	5273	108

LBR6 MS MWD		80CRI							
Lumen Output	Wattage	30K/80CRI		35K/80CRI		40K/80CRI		50K/80CRI	
		Delivered Lumens	LPW	Delivered Lumens	LPW	Delivered Lumens	LPW	Delivered Lumens	LPW
ALO1 (500LM)	6	480	99	584	101	597	102	616	105
ALO1 (750LM)	9	760	102	924	103	946	105	975	108
ALO1 (1000LM)	13	1067	98	1297	100	1328	102	1369	104
ALO2 (1000LM)	13	1131	108	1375	110	1408	112	1451	115
ALO2 (1500LM)	19	1651	105	2007	106	2055	108	2118	111
ALO2 (2000LM)	25	2079	99	2528	101	2588	103	2668	105
ALO3 (2000LM)	25	2139	103	2601	104	2663	106	2745	109
ALO3 (2500LM)	32	2583	98	3140	99	3214	101	3314	103
ALO3 (3000LM)	38	2933	93	3566	94	3651	96	3764	98
ALO4 (4000LM)	39	3511	90	3583	92	3654	94	3690	95
ALO4 (4500LM)	44	3875	88	3954	90	4033	92	4072	93
ALO4 (5000LM)	49	4214	86	4300	88	4386	90	4429	90

- Tested in accordance with IESNA LM-79-08. u8226
- Tested to current IES and NEMA standards under stabilized laboratory conditions.
- CRI: 80 typical

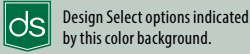
design select

Items marked by a shaded background qualify for the Design Select program and ship in 15 days or less. To learn more about Design Select, visit www.acuitybrands.com/designselect.

*See ordering tree for details



battery pack



Module ordering

ORDERING INFORMATION

Lead times will vary depending on options selected. Consult with your sales representative.

Example: LBR6 ALO2 SWW1 AR LSS MWD MVOLT UGZ 90CRI

Series	Lumens ‡		Color temperature ‡		Reflector Color	Reflector Flange ‡		Reflector Finish	
LBR6 6" Retrofit	Adjustable Lumen Output		Fixed CCT		AR Clear	(blank)	Self-flanged	LSS	Semi-specular
LBR6WW ‡ 6" Retrofit Wallwash	ALO1 500/750/1000lm	05LM 500lm	SWW1 3000K-3500K-4000K-5000K		BR ‡ Black painted	TRW	White painted flange		
	ALO2 1000/1500/2000lm	07LM 750lm	Fixed CCT		MS ‡ Metallic Silver	TRBL	Black painted flange		
	ALO3 2000/2500/3000lm	10LM 1000lm	27K 2700K		WR ‡ White painted	FCPC	Custom painted flange only		
	ALO4 4000/4500/5000lm	15LM 1500lm	30K 3000K		TCPC ‡ Custom painted trim	FRALTB	RAL painted flange only		
		20LM 2000lm	35K 3500K		TRALTB ‡ RAL painted trim				
		25LM 2500lm	40K 4000K						
		30LM 3000lm	50K 5000K						
		40LM 4000lm							
		45LM 4500lm							
		50LM 5000lm							

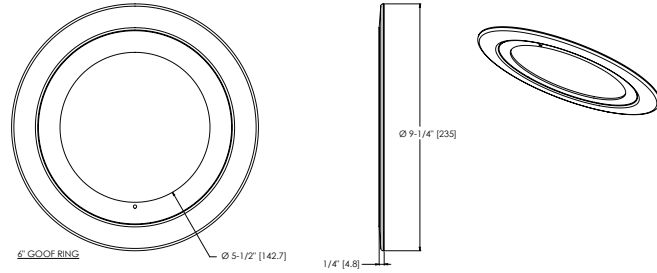
Distribution	Voltage	Driver	Emergency ‡	Control Input ‡	Options
MWD Medium wide (1.0 s/mh)	MVOLT	UGZ Universal dimming to 10% 0-10V; line voltage dimming (120V)	(blank) No Emergency Needed	(blank) No Control Input Needed	90CRI High CRI (90+)
WD Wide (1.2s/mh)	120	UGZ1 Universal dimming to 1% 0-10V; line voltage dimming (120V)	ELR Battery pack (10W constant power) Non-T20 Compliant remote test switch	JOT Wireless room control with "Just One Touch" pairing	AT ‡ Airtight
WW ‡ Wallwash	277	DALI ‡ DALI dimming to 1% D10 Minimum dimming 10% driver for use with JOT	ETS	NPS80EZ nLight® network power/relay pack with 0-10V dimming	EC1 ‡ Extended Conduit (18")
	347	D1 Minimum dimming 1% driver for use with JOT	E10WCP Battery pack (10W constant power) T20 Compliant integral test switch	NPS80EZER nLight® network power/relay pack with 0-10V dimming; ER controls fixtures on emergency circuit.	EC6 ‡ Extended Conduit (6ft)
			E10WCPR Battery pack (10W constant power) T20 Compliant remote test switch	NLTAIR2 nLight® Air enabled	WL ‡ Wet Location (IP55)
			E10WRSTAR Emergency battery pack, 10W with remote test switch and Iota STAR technology	NLTAIRER2 nLight® AIR Dimming Pack Wireless Controls. Controls fixtures on emergency circuit	QDS ‡ Quick disconnect plugs
				NLTAIREM2 nLight® AIR Dimming Pack Wireless Controls. UL924 Emergency Operation, via power interrupt detection.	CP ‡ Chicago Plenum

NOTE: ‡ indicates option value has ordering restrictions. Please reference the Option Value Ordering Restrictions chart below.

‡ Option Value Ordering Restrictions	
Options	Restriction
Adjustable Lumens/CCT	Adjustable Lumen Output and Switchable CCT must be specified together (for example: ALO1 SWW1).
Fixed Lumens/CCT	Fixed Lumen Output and Fixed CCT must be specified together (for example: 10LM 30K).
AT	Standard for CP and IP55, not available with WW.
E10WCPR	Not available EC1, EC6, QDS, CP, 347V, NPS80EZ ER, NLTAIRER2, NLTAIREM2, ALO3 & ALO4 w/DALI, OR 2000-4500 lumens w/JOT.
E10WCP	Not available with WW, EC1, EC6, AT, QDS, CP, 347V, NPS80EZ ER, NLTAIRER2, NLTAIREM2, WL, ALO3 & ALO4 w/DALI, OR 2000-4500 lumens w/JOT.
E10WRSTAR	Not available with wet location, EC1, EC6, QDS, CP, 347V, NPS80EZ ER, NLTAIRER2, NLTAIREM2, ALO3 & ALO4 w/DALI, OR 2000-4500 lumens w/JOT. Top access installation or 17.5" plenum clearance required for roomside installation. Not available with integral test switch
ELR	Not available EC1, EC6, QDS, CP, 347V, NPS80EZ ER, NLTAIRER2, NLTAIREM2, ALO3 & ALO4 w/DALI, OR 2000-4500 lumens w/JOT.
EC1, EC6	Not Available with CP, QDS, ELR, E10WCP, or E10WCPR.
WL	Not available with WW, All CP is wet location, except WW (Damp). IP55 rated.
QDS	Must be specified for use with LBR_PFWQDS. Not available with 347V, CP, ELR, E10WCP, E10WCPR.
JOT	Not available with CP, nLight options, UGZ, or DALI drivers. Max 4500 lumens. Fixed lumens and CCT only. Not available with 2000-4500lm in conjunction with battery pack.
NPS80EZ	Not available with CP, QDS, DALI, D1, OR D10 drivers. 120V OR 277V only. Not available with 347V.
NPS80EZER	Not available with CP, QDS, ELR, E10WCP, E10WCPR, DALI, D1, OR D10 drivers. 120V OR 277V only. Not available with 347V.
NLTAIR2	Not available with CP, QDS, DALI, D1, OR D10 drivers. See UL 924 Sequence of Operation table. Non-emergency luminaires with this option can be used as a normal power sensing device for nLight AIR devices and luminaires with EM emergency options.
NLTAIRER2	Not available with CP, QDS, ELR, E10WCP, E10WCPR, DALI, D1, OR D10 drivers. Not available with 347V.
NLTAIREM2	Not available with CP, QDS, ELR, E10WCP, E10WCPR, DALI, D1, OR D10 drivers. See UL 924 Sequence of Operation table.
CP	Must be specified for use with LBR_PFWCP. Not available with, QDS, EC1, EC6, ELR, E10WCP, E10WCPR, 347V, JOT, NPS80EZ, NPS80EZ ER, NLTAIR2, NLTAIRER2, NLTAIREM2, D1, OR D10 drivers.
ETS	Not available with, QDS, ELR, E10WCP, E10WCPR, 347V, JOT, NPS80EZ, NPS80EZ ER, NLTAIR2, NLTAIRER2, NLTAIREM2, DALI, D1, OR D10 driver.
DALI	Not available with fixed lumens or CCT. Max 4500 lumens.
WW	Not available with WL and E10WCP. Must be ordered with LBR6WW series
TRW, TRBL	Available with MS and AR reflectors only.
MS, WR, BR	Not available with LSS reflector finish.
TRALTB, FRALTB	RALTB for pricing only. Replace with applicable RAL number and finish when ready to order. See the RAL BROCHURE for available color options.
TCPC, FCPC	CPC options for pricing only. Custom color chip needs to be sent in to your Customer Resolution specialist before order can be processed. Click HERE for more details

LBR6

Accessories: Order as separate catalog number. Shipped separately.	
LBRGR78	Goof ring 7-3/4" to 8-3/4" for LBR6
LBRGR78CP	Chicago Plenum Goof ring 7-3/4" to 8-3/4" for LBR6
LBR6AR LSS TRIM	6" clear, semi-specular reflector
LBR6** TRIM	6" reflector (** specify MS, WR, BR)
LBR6AR LSS WW TRIM	6" clear, semi-specular wallwash
LBR6** WW TRIM	6" wallwash (** specify MS, WR, BR)
LDN67RVRGIN IFB	Install-from-below rough-in frame
LBR46810HB FPAN U	Mounting plate 4"-10" unit pack
LBR46810HB FPAN J10	Mounting plate 4"-10" 10-pack
LBR SDT 347V 75W ASM	Field installed 347V Step-down transformer
SCA6	Sloped Ceiling Adapter. Degree of slope must be specified (5D, 10D, 15D, 20D, 25D, 30D). Ex: SCA6 10D.



Goof rings must specify reflector color
 Example: LBRGR78 BR
 WR = white, BR = black

Module	Mounting Frame Accessory	Compatible Fixture Options
LBR6	LBR6PF	QDS, EC1, EC6,
	LBR6PFW	Base fixture only
	LBR6PFW EM	ELR, E10WCPR, E10WCP, E10WRSTAR
	LBR6PFWQDS	QDS fixture only
LBR6WW	LBR6PF	QDS, EC1, EC6,
	LBR6PFW	Base fixture only
	LBR6PFW EM	ELR, E10WCPR, E10WRSTAR
	LBR6PFWQDS	QDS fixture only

Emergency Battery Pack Options - Field Installable

Battery Model Number	Wattage	Runtime (Minutes)	Lumen Output* @ 120 Lumens/Watt	Other
ILB CP07 2H A	7W	120	840	Storm Shelter / 2 Hour Runtime
ILB CP10 A	10W	90	1200	
ILBLP CP10 HE SD A+	10W	90	1200	Title 20, Self Diagnostic
ILBLP CP15 HE SD A+	15W	90	1800	Title 20, Self Diagnostic
ILB CP20 HE A	20W	90	2400	Title 20
ILB CP20 HE SD A	20W	90	2400	Title 20, Self Diagnostic
ILBHI CP10 HE SD A+	10W	90	1200	347-480V AC Input, Title 20, Self Diagnostic
ILBHI CP15 HE SD A+	15W	90	1800	347-480V AC Input, Title 20, Self Diagnostic

All the above are UL Listed products that are certified for field install external/remote to the fixture.
 *Minimum delivered lumen output to assist in product selection for increased fixture mounting height.
 The CP10 delivered emergency illumination outperforms legacy 1400 lumen fluorescent emergency ballast.
 Please contact us at techsupport@iotaengineering.com for any Emergency Battery related questions.

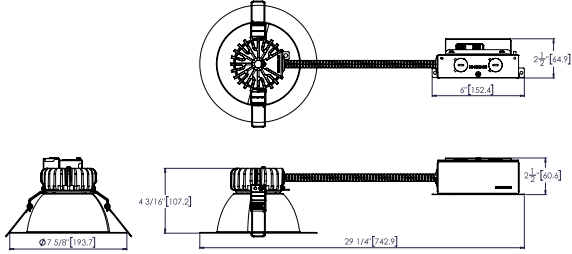
LBR6

PLENUM DEPTH TABLE				
Aperture Size/Output	Plenum Depth*	IC	Non-IC	Non-IC Marked Spacing
LBR6 500-1000 Lumen	3.69	X		
LBR6 1000-2000 Lumen	3.69		X	
LBR6 2000-3000 Lumen	-			24x24x9
LBR6 4000-5000 Lumen	-			24x24x9

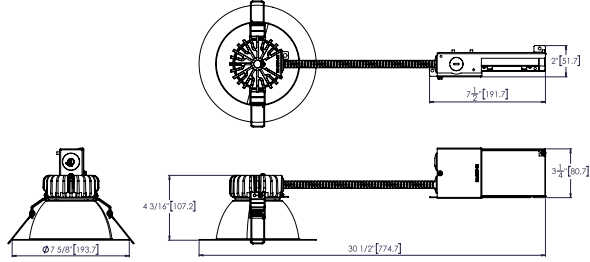
CEILING COVERAGE TABLE								
Series		Aperture	Trim Flange OD	Min ceiling opening	Ceiling Thickness	Max ceiling opening	Max Ceiling Opening with Goof Ring	Overall Goof Ring OD
LBR6	ROUND	5-5/16"	7-5/8"	5-3/4"	1/2"	7-1/8"	7-1/8"	9-1/4"
LBR6					1-1/2"	7-3/8"	7-1/2"	

*Above unfinished 1/2" ceiling plane

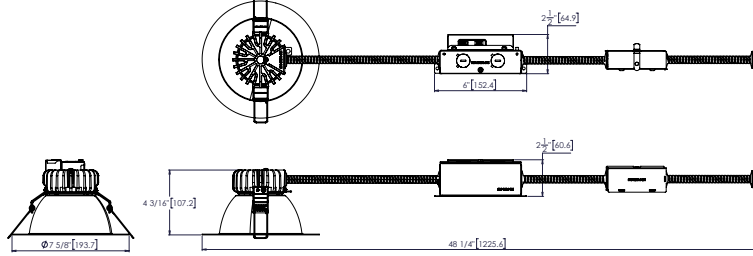
* All dimensions are inches (millimeters) unless otherwise noted.



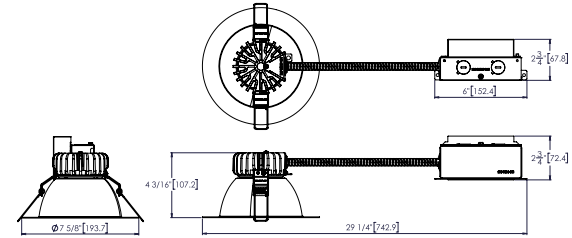
LBR6 SWW1 AL0x xx xxx MVOLT UGZ



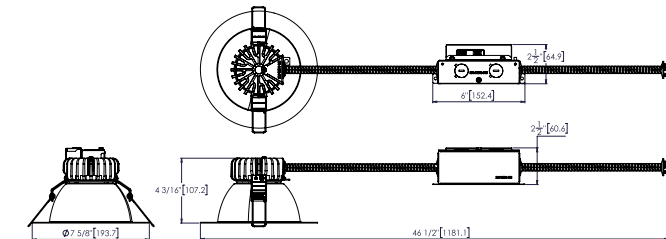
LBR6 SWW1 AL03 xx xxx MVOLT DALI



LBR6 SWW1 AL0x xx xxx MVOLT UGZ QDS



LBR6 SWW1 AL0x xx xxx MVOLT DALI

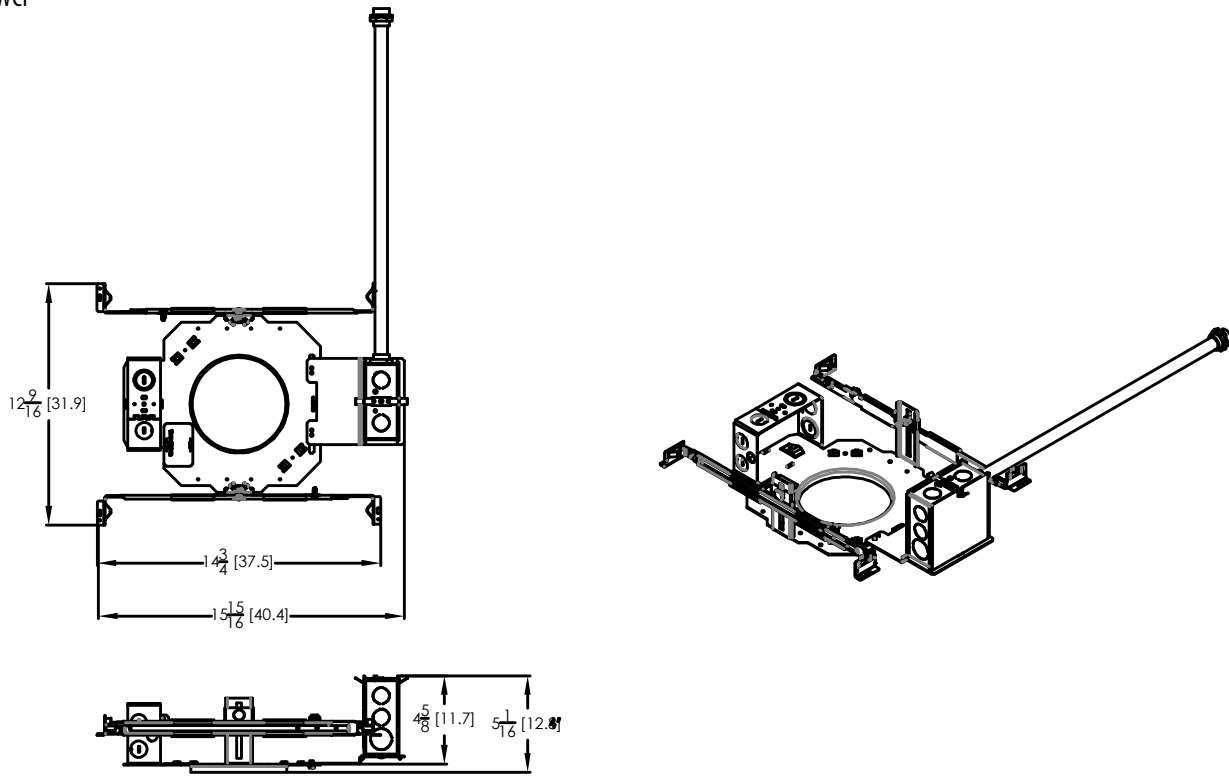


LBR6 SWW1 AL0x xx xxx MVOLT UGZ EC1

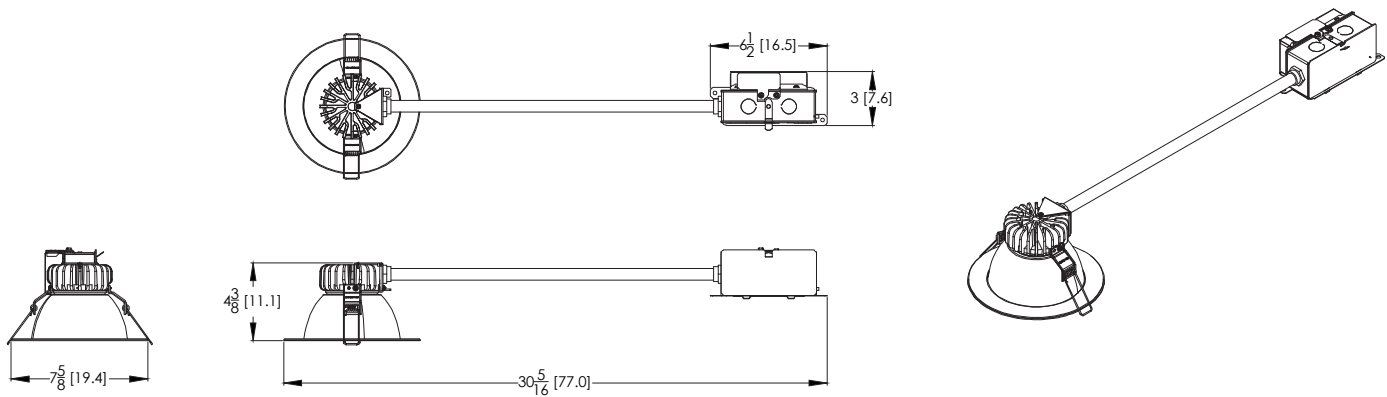
LBR6

* All dimensions are inches (millimeters) unless otherwise noted.

LBR6PFWCP



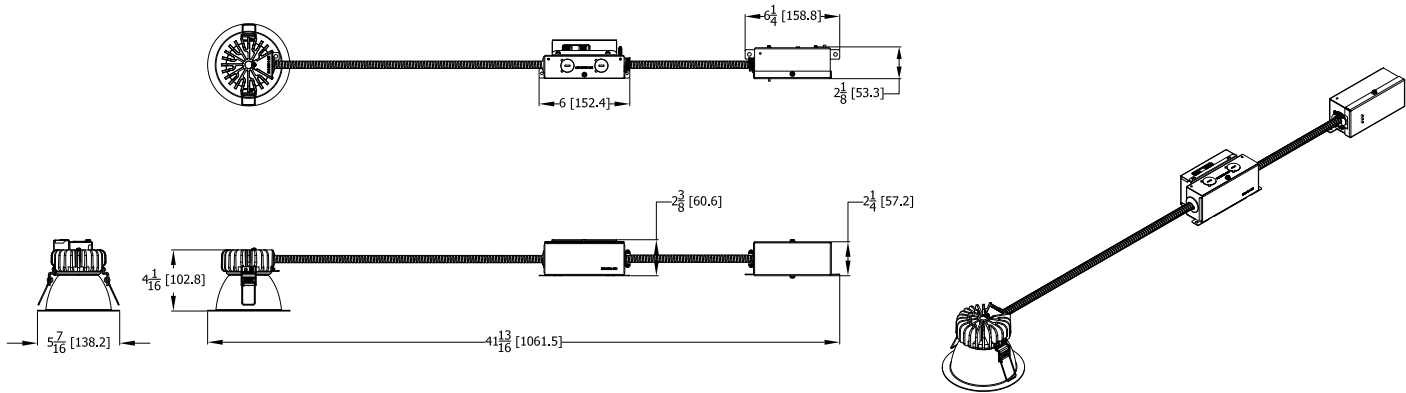
LBR6 SWW1 ALOx MVOLT UGZ CP



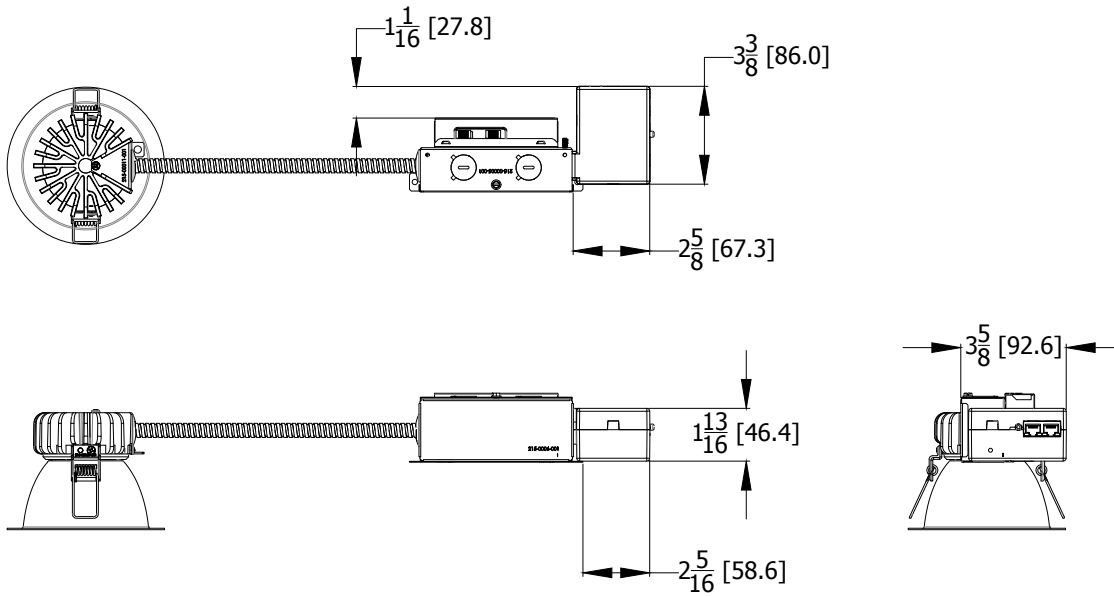
LBR6

* All dimensions are inches (millimeters) unless otherwise noted.

LBR6 ALOx SWW1 xx xxx 347 UGZ



LBRx nLIGHT



LBR6

PHOTOMETRY

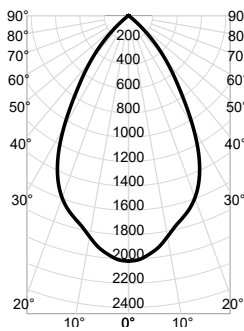
Distribution Curve

Distribution Data

Output Data

Illuminance Data at 30" Above Floor for a Single Luminaire

LBR6 SWW1 ALO2 AR LSS MWD MVOLT UGZ, Input Watts: 18.1, Delivered Lumens: 1970, LPW: 108.8, S/MH: 0.94, Test No: 20-518-03



CP Summary

0°
0° 2,018
5° 1,968
15° 1,721
25° 1,383
35° 724
45° 255
55° 9
65° 2
75° 1
85° 0
90° 0

Zonal Lumen Summary

Zone	Lumens	% Fixture
0° - 30°	1,292	66%
0° - 40°	1,751	89%
0° - 60°	1,967	100%
0° - 90°	1,970	100%
90° - 180°	0	0%
0° - 180°	1,970	100%

Cone of Light

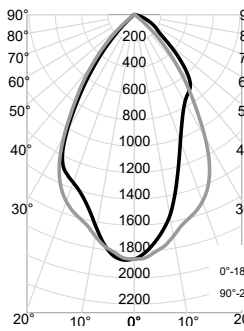
Mounting Height	Initial FC Center Beam	Beam Diameter
6.0	56.1	7.1
8.0	31.5	9.5
10.0	20.2	11.9
12.0	14.0	14.3
14.0	10.3	16.7

Beam Angle: 61.5°
Field Angle: 92.7°

Luminance (cd/sq.m)

Average Luminance
0° 142,862
45° 25,559
55° 1,074
65° 402
75° 246
85° 162

LBR6WW SWW1 ALO2 AR LSS WW, Input Watts: 18.7, Delivered Lumens: 1981, LPW: 105.9, S/MH: 0.67, Test No: 20-518-A1



CP Summary

0°	90°
0° 1,857	1,857
5° 1,740	1,810
15° 1,265	1,602
25° 864	1,349
35° 719	760
45° 502	280
55° 223	22
65° 126	10
75° 45	4
85° 9	1
90° 0	2

Zonal Lumen Summary

Zone	Lumens	% Fixture
0° - 30°	1,126	57%
0° - 40°	1,581	80%
0° - 60°	1,915	97%
0° - 90°	1,981	100%
90° - 180°	0	0%
0° - 180°	1,981	100%

Luminance (cd/sq.m)

Average Luminance
0° 131,472
45° 50,247
55° 27,523
65° 21,156
75° 12,281
85° 7,229

LUMEN OUTPUT MULTIPLIERS - CCT

3000K	3500K	4000K	5000K
0.98	1.0	1.01	1.03

LUMEN OUTPUT MULTIPLIERS - FINISH

Clear Semi-spec (AR LSS)	1.0
Metallic Silver (MS)	0.84
White Painted (WR)	1.03
Black Painted (BR)	0.60

LUMEN OUTPUT MULTIPLIERS - CRI

80	1.0
90	0.874

HOW TO ESTIMATE DELIVERED LUMENS IN EMERGENCY MODE

Use the formula below to estimate the delivered lumens in emergency mode

$$\text{Delivered Lumens} = 1.25 \times P \times \text{LPW}$$

P = Output power of emergency driver. P = 10W for PS1055CP

LPW = Lumen per watt rating of the luminaire. This information is available on the ABL luminaire spec sheet.

The LPW rating is also available at Designlight Consortium.

DIMMER COMPATIBILITY

Not compatible with DALI or DMX dimmers. For specific compatible dimmers see below.

LINE VOLTAGE DIMMING:						
Type	Forward Phase	ALO1 (500-1000lm)	ALO2 (1000-2000lm)	ALO3 (2000-3000lm)	ALO4 (3000-5000lm)	Comment
MLV	Sensorswitch WPD	YES	YES	YES	YES	
MLV	Sensorswitch CMR PDT10 ADC VLP	YES	YES	YES	YES	
MLV	Synergy ISD 600LV	YES, 2x *	YES	YES	YES	* min 2 fixtures
INC	Synergy ISD 600 I	YES, 2x *	YES	YES	YES	* min 2 fixtures
MLV	Lutron Glyder GLV-600	YES	YES	YES	YES	
INC	Leviton SureSlide 6633	YES	YES	YES	YES	
MLV	Lutron Diva DVLV-600P	YES	YES	YES	YES	
MLV	Lutron Skylark SLV-600P	YES	YES	YES	YES	
INC	Lutron RadioRA 2 10ND	YES	YES	YES	YES	
MLV	Leviton SureSlide 6613-PLW	YES	YES	YES	YES	
INC	Lutron Diva DVCL-153P	YES	YES	YES	YES	
MLV	Leviton IPM06	YES, 2x *	YES	YES	YES	* min 2 fixtures
INC	Leviton IPI06	YES, 2x *	YES	YES	YES	* min 2 fixtures
INC	Control4 C4-FPD 120	YES	YES	YES	YES	
Type	Reverse Phase Dimmer Bank	ALO1 (500-1000lm)	ALO2 (1000-2000lm)	ALO3 (2000-3000lm)	ALO4 (3000-5000lm)	
ELV	Lutron Nova T NTELV-600	YES	YES	YES	YES	
ELV	Lutron Diva DVELV 600P	YES	YES	YES	YES	
ELV	Lutron Maestro MAELV 600	YES	YES	YES	YES	
ELV	Leviton Vizia VPE06-1LX	YES	YES	YES	YES	
ELV	Leviton Illumatech IPE04	YES	YES	YES	YES	
ELV	Control4 C4-APD 120 REVERSE PHASE	YES	YES	YES	YES	
Type	Miscellaneous Dimmers	ALO1 (500-1000lm)	ALO2 (1000-2000lm)	ALO3 (2000-3000lm)	ALO4 (3000-5000lm)	
PHA	Lutron RadioRA2 RRD-6NA	YES	YES	YES	YES	
PHA	Lutron Maestro PRO LED+ RRD-PRO	YES	YES	YES	YES	
Type	Control Systems	ALO1 (500-1000lm)	ALO2 (1000-2000lm)	ALO3 (2000-3000lm)	ALO4 (3000-5000lm)	
MLV	Lutron LP-RPM-4U	YES	YES	YES	YES	
PHA	Lutron LP-RPM-4A	YES	YES	YES	YES	
MLV	Lutron GRAPHIC EYE QSGRJ-3P	YES	YES	YES	YES	
PHA	Lutron PA Power Module PHPM-PA-120	YES	YES	YES	YES	
ELV	Lutron nLight nSP5PCD ELV	YES	YES	YES	YES	

DIMMER COMPATIBILITY

Not compatible with DALI or DMX dimmers. For specific compatible dimmers see below.

0-10V DIMMING:							
Manufacturer	System Type	Description	P/N	ALO1 (500-1000lm)	ALO2 (1000-2000lm)	ALO3 (2000-3000lm)	ALO4 (3000-5000lm)
ACUITY	Wall Box	sensorswitch, dimming switch with multi-way option	SPODMRA	YES	YES	YES	YES
ACUITY	Wall Box	sensorswitch, wall switch sensor, occupancy controlled dimming	WSX D WH	YES	YES	YES	YES
ACUITY	Control System	nLight	nPP16D	YES	YES	YES	YES
ACUITY	Control System	nLight	nPS 80 EZ	YES	YES	YES	YES
ACUITY	Control System	nLight Air	rPP20 D	YES	YES	YES	YES
Lutron	Other	0-10V (sink or source) PowPak wireless dimming module	RMJ-5T-DV-B	YES	YES	YES	YES
Wattstopper	Control System	Digital single relay room controller (0-10V)	LMRC-211	YES	YES	YES	YES
Crestron	Control System	DIN Rail 0-10V fluorescent dimmer, 4 feeds, 4 channels (Green Light System)	DIN-4DIMFLV4	YES	YES	YES	YES
Lutron	Other	Grafik Eye 0-10V adapter	GRX-TVI	YES	YES	YES	YES
Leviton	Wall Box	Illumatech 0-10V	IP710-DLX	YES	YES	YES	YES
Lutron	Control System	Mounted in the Homeworks QS panel - 0-10V dimmer (sink or source)	GRX-TVM2	YES	YES	YES	YES
Lutron	Wall Box	Nova 0-10V wallbox dimmer (use with PP-120-H line voltage relay)	NFTTV	YES	YES	YES	YES
Lutron	Wall Box	Nova 0-10V wallbox dimmer (use with PP-120-H line voltage relay)	NTSTV-DV	YES	YES	YES	YES
Lutron	Wall Box	Nova T	NFTV	YES	YES	YES	YES
Leviton	Wall Box	Renior II 0-10V	AWSMG-7DW	YES	YES	YES	YES

ADDITIONAL DATA



The Sensor Switch JOT enabled solution offers a wireless, app-free approach to single room lighting control. JOT enabled products use Bluetooth® Low Energy (BLE) technology to enable wireless dimming and switching.

Diagram



LBR6 Series



Sensor Switch
WSXA JOT

1. **Power:** Install JOT enabled fixtures and controls as instructed.
2. **Pair:** Insert the pairing tool into the pinhole on the wall switch; press and hold any button for 6 seconds.
3. **Play:** Once paired, each fixture will individually dim down to 10% brightness. All products will be fully functional.

COMPATIBLE 0-10V WALL-MOUNT DIMMERS

MANUFACTURER	PART NO.	POWER BOOSTER AVAILABLE
Lutron®	Diva® DDTV	
	Diva® DVSC TV	
	Nova T® NTFTV	
	Nova® NFTV	
Leviton®	AWSMT-7DW	CN100
	AWSMG-7DW	PE300
	AMRMG-7DW	
	Leviton Centura Fluorescent Control System	
	IllumaTech® IP7 Series	
Synergy®	ISD BC	RDMFC
	SLD LPCS	
	Digital Equinox (DEQ BC)	
Douglas Lighting Controls	WPC-5721	
Entertainment Technology	Tap Glide TG600FAM120 (120V)	
	Tap Glide Heatsink TGH1500FAM120 (120V)	
	Oasis OA2000FAMU	
Honeywell	EL7315A1019	EL7305A1010 (optional)
	EL7315A1009	
HUNT Dimming	Preset slide: PS-010-IV and PS-010-WH	
	Preset slide: PS-010-3W-IV and PS-010-3W-WH	
	Preset slide, controls FD-010: PS-IFC-010-IV and PS-IFC-010-WH-120/277V	
	Preset slide, controls FD-010: PS-IFC-010-3W-IV and PS-IFC-010-3W-WH-120/277V	
	Remote mounted unit: FD-010	
Lehigh Electronic Products	Solitaire	PBX
PDM Electrical Products	WPC-5721	
Starfield Controls	TR61 with DALI interface port	RT03 DALInet Router
WattStopper®	LS-4 used with LCD-101 and LCD-103	

LBR6

EXAMPLE

Group Fixture Control*

*Application diagram applies for fixtures with eldoLED drivers only.

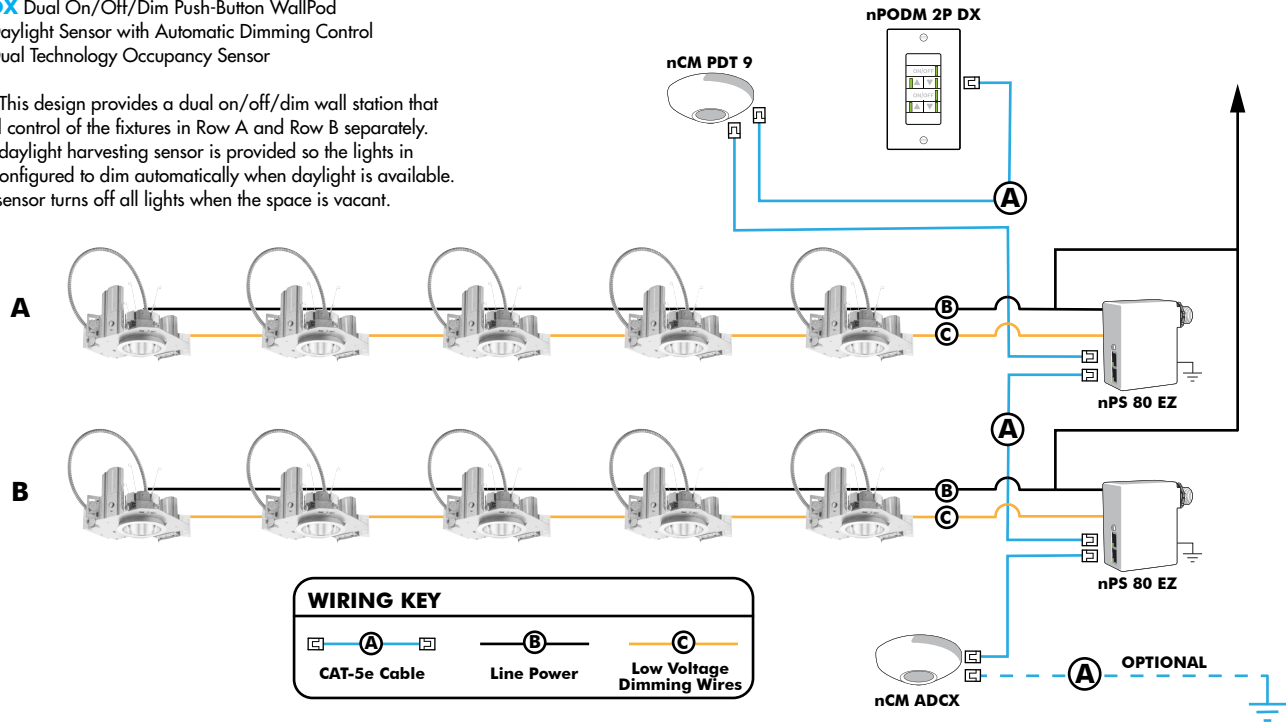
nPS 80 EZ Dimming/Control Pack (qty: 2 required)

nPODM 2P DX Dual On/Off/Dim Push-Button WallPod

nCM ADCX Daylight Sensor with Automatic Dimming Control

nCM PDT 9 Dual Technology Occupancy Sensor

Description: This design provides a dual on/off/dim wall station that enables manual control of the fixtures in Row A and Row B separately. Additionally, a daylight harvesting sensor is provided so the lights in Row B can be configured to dim automatically when daylight is available. An occupancy sensor turns off all lights when the space is vacant.



Choose Wall Controls

nLight offers multiple styles of wall controls - each with varying features and user experience.



Push-Button Wallpod
Traditional tactile buttons and LED user feedback



Graphic Wallpod
Full color touch screen provides a sophisticated look and feel

nLight® Wired Controls Accessories:

Order as separate catalog number. Visit www.acuitybrands.com/products/controls/nlight for complete listing of nLight controls.

WallPod Stations	Model number	Occupancy sensors	Model Number
On/Off	nPODM (Color)	Small motion 360°, ceiling (PIR/dual Tech)	nCM 9 / nCM PDT 9
On/Off & Raise/Lower	nPOD DX (Color)	Large motion 360°, ceiling (PIR/dual tech)	nCM 10 / nCM PDT 10
Graphic Touchscreen	nPOD GFX (Color)	Wide View (PIR/dual tech)	nWV 16 / nWV PDT 16
Photocell controls	Model Number	Wall Switch w/ Raise/Lower (PIR/dual tech)	nWSX LV DX / nWSX PDT LV DX
Dimming	nCM ADCX	Cat-5 cables (plenum rated)	Model Number
		10', CAT5 10FT	CATS 10FT J1
		15', CAT5 15FT	CATS 15FT J1

nLight® AIR Control Accessories:

Order as separate catalog number. Visit www.acuitybrands.com/products/controls/nlightair.

Wall switches	Model number
On/Off single pole	rPODB [color]
On/Off two pole	rPODB 2P [color]
On/Off & raise/lower single pole	rPODB DX [color]
On/Off & raise/lower two pole	rPODB 2P DX [color]
On/Off & raise/lower single pole	rPODBZ DX WH ¹

Notes

¹ Can only be ordered with the RES7Z zone control sensor version.

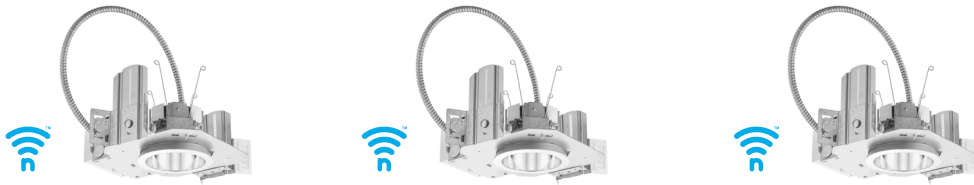
UL924 Sequence of Operation

The below information applies to all nLight AIR devices with an EM option.

- EM devices will remain at their high-end trim and ignore wireless lighting control commands, unless a normal-power-sensed (NPS) broadcast is received at least every 8 seconds.
- Using the CLAIRITY+ mobile app, EM devices must be associated with a group that includes a normal power sensing device to receive NPS broadcasts.
- Only non-emergency rPP20, rLSXR, rSBOR, rSDGR, and nLight AIR luminaires with version 3.4 or later firmware can provide normal power sensing for EM devices. See specification sheets for control devices and luminaires for more information on options that support normal power sensing.

nLight AIR

nLight AIR is the ideal solution for retrofit or new construction spaces where adding communication is cost prohibitive. The integrated nLight AIR rPP20 Power Pack is part of each Lithonia LDN Luminaire. These individually addressable controls offer the ultimate in flexibility during initial setup and for space repurposing.



Simple as 1,2,3

1. Install the nLight® AIR fixtures with embedded smart sensor
2. Install the wireless battery-powered wall switch
3. With CLAIRITY app, pair the fixtures with the wall switch and if desired, customize the sensor settings for the desired outcome

