

OVERVIEW

The nLight nIO EZDL module is a low voltage control device that enables digital control of LEDcode enabled eldoLED LED drivers. Through eldoLED's bi-directional 2-wire interface, this module delivers natural, flicker-free high performance dimming while eliminating common issues related to 0-10 VDC alternatives. In addition, the nIO EZDL provides facility managers with enhanced lighting system status monitoring by leveraging data from the driver within the nLight control system.

The nIO EZDL enables the driver to be addressable as well as capable of digitally communicating with other nLight controls such as occupancy sensors, photocells, and WallPods. This allows for advanced operation and design flexibility ranging from stand-alone rooms to building and campus-wide networks.

FEATURES

- Digital control of LEDcode enabled eldoLED LED drivers
- Provides both intensity and correlated color temperature control ("CCT" version)
- Communicates w/ nLight Network
- Provides LED driver data to SensorView software
- Remotely Configurable/Upgradeable
- Push-Button Programmable
- Programmable return to last state capability

SPECIFICATIONS

Dimensions: Embedded Module Housing
2.54" H x 1.98" W x 1.00" D
(6.45 cm x 5.03 cm x 2.54 cm)

Weight: 2 oz

Color: White (red for ER version)

nLight Network Ports: 2 RJ-45

Bus Power Consumption: 3mA

Dimming Output: Controls one LED luminaire via LEDcode bi-directional digital 2-wire interface

Wires: (6) Port Push-In Terminal Block

Operating Temp: 14° to 160°F (-10° to 71°C)

Storage Temp: -14° to 160°F (-26° to 71°C)

Relative Humidity: 20% to 90% non-condensing

RoHS Compliant, Title 24 System Component

Warranty

Five-year limited warranty. This is the only warranty provided and no other statements in this specification sheet create any warranty of any kind. All other express and implied warranties are disclaimed. Complete warranty terms located at: www.acuitybrands.com/support/warranty/terms-and-conditions

Note: Actual performance may differ as a result of end-user environment and application. Specifications subject to change without notice.

AcuityControls™

nLight®

nIO EZDL
eldoLED Dimming Device



ORDERING INFORMATION

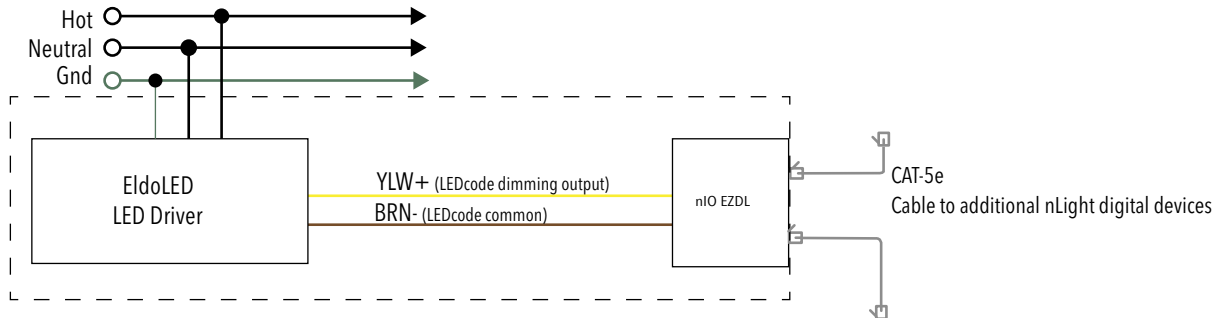
nIO EZDL		Example: nIO EZDL CCT	
Series	Device Power	Emergency	Control Type
nIO	EZDL Powers directly from LEDcode bus and nLight bus, does not provide bus power	[blank] Standard ER Emergency	CCT Intensity + Correlated Color Temperature Control

WIRING

Standard Operation

Power to a standard nIO EZDL and nIO EZDL ER device is provided by a low voltage connection to the dimming driver and to the nLight bus. T568B pin/pair assignment is recommended for all CAT-5e cables on the nLight bus.

Wiring of nIO EZDL



Intended Application of nIO EZDL ER Version

An nIO EZDL ER enabled fixture is intended to be fed by Emergency power and connected via a CAT-5e cable to an nLight zone. All the connected nLight devices generating bus power should be fed with Normal power. If Normal power is removed, thus eliminating bus power, the nIO EZDL ER enabled fixture will remain on (as it is fed by Emergency power) and will revert to 100% light output. This occurs because the nIO EZDL ER will no longer be sensing normal bus power. If the fixture was off (i.e. in sleep mode) when primary power was lost, it will come on and go to 100%.

Wiring of nIO EZDL ER

