



Catalog Number
Notes
Type

Contractor Select™

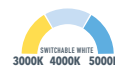
JSBT

Juno 6" SlimBasics™ JSBT Tapered Switchable White LED Surface Mount Disk Light

The SlimBasics JSBT Switchable White Tapered LED Disk Light is designed to be paired with an inexpensive recessed junction box providing an economical alternative to recessed downlighting. Available in a 6in size, the JSBT is an extremely flexible solution due to its on-board 3CCT (3000/4000/5000K) color temperature switch and its ability to be used in both new construction and renovation applications. This surface mount disk light provides the lowest total installed cost solution for residential spaces.

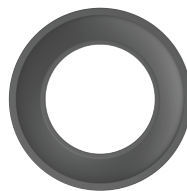
FEATURES:

- Designed to be used across an entire space where traditional downlights have been used in the past
- Suitable for closets, bathrooms, soffits, and outdoor covered ceiling applications
- Ideal for residential single and multi-family, as well as light commercial and hospitality spaces
- Installs directly into industry standard junction boxes
- Suitable for use in closets, compliant when installed to NFPA 70 NEC Section 410.16 (A) (1) and (C)(1)



Catalog Number	UPC	Description	Lumens	Input Watts	CCT	CRI	Voltage	Finish	Pallet qty.
JSBT 6IN SWW2 90CRI WL MW M6	00196182201622	6" LED Tapered Disk Light	1090L	15W	3000K/4000K/5000K	90	120V	White	480

ACCESSORIES	
JSBTTRIM 6IN BL M6 ¹	Black 6" Trim
JSBTTRIM 6IN BZ M6 ¹	Bronze 6"



Black



Bronze

Notes:

- 1 JSBTTRIM only compatible with SWW2 non-PIR fixtures.

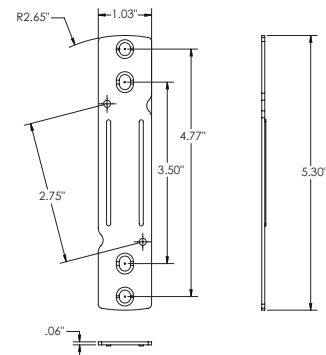


JBOX Compatibility

	3-1/2" Octagon Box Steel	4" Drawn Octagon 1-1/2" Deep Steel	3-1/2" Drawn Round Ceiling Pan Steel / Old Work	4" Round Plastic / New York	4" Drawn Round Ceiling Pan Steel	4" Round Plastic / New Work	4" Dia. Ceiling Box With Bar Plastic / New York
Exterior LXWXH	3.2" x 3.2" x 1.55"	3.54" x 3.54" x 1.55"	3.38" Rd. x 0.5" Dep.	4" Dia. x 2.3"	4" Dia. x 0.5" Dep.	4" Dia. x 2.375"	14.5" x 4.5" x 4"
Mounting Dimension	2.75"	3.5"	2.75"	2.75" / 3.5"	3.5"	2.75" / 3.5"	2.75" / 3.5"
Fixture	JSBT 6IN	JSBT 6IN	JSBT 6IN	JSBT 6IN	JSBT 6IN	JSBT 6IN	JSBT 6IN

	4" Square Box	WiringPro 4" Square Box	Iberville 4" Octagonal Box
Exterior LXWXH	4" x 4" x 1.5"	4" X 4" X 1.5"	4" x 4" x 1.5"
Mounting Dimension	4"	4"	4"
Fixture	JSBT 4IN	JSBT 4IN	JSBT 4IN

Canadian 4IN J-Box Bracket



Install In 3 Simple Steps



Dimmer Compatibility

Forward Phase Dimmers	Reverse Phase Dimmers	Acuity Brands Dimmers
Lutron Maestro® STCL-153	Lutron Maestro ELV® MAELV-600	Acuity SensorSwitch® Forward phase paddle dimmer/WPD WH
Lutron RadioRa® RRD-10ND		
Lutron Diva® DVCL-153P		
Lutron Vive® MRF2S-6ND		
Lutron Caseta® PD-6WCL		
Leviton SureSlide® IPM06-1LZ		
Leviton Illumatech® IPL06-10Z		



Specifications

LED LIGHT ENGINE:

LED board mounted directly to aluminum housing designed to provide superior thermal management and ensure long life • Switchable white LED color temperature technology offers 3000K, 4000K, 5000K all in one disk light • 90 CRI minimum • Accommodates 120 volts AC at 60Hz • Dimmable with most standard magnetic low voltage and electronic low voltage dimmers.

CONSTRUCTION:

Low profile tapered aluminum trim frame with matte white finish • Molded polycarbonate, UV stabilized diffuser dome lens conceals the LEDs from direct view and provides uniform lens luminance.

ELECTRICAL CONNECTIONS:

Fixture provided with leads for direct wire connection in JBox.

JUNCTION BOX MOUNTING:

The driverless JSBT installs directly into industry standard junction boxes that requires no separate mounting bracket for installation • Compatible boxes include 3-1/2" and 4" octagon junction boxes (1-1/2" minimum depth), round mud rings with 2-3/4" mounting centers, and 3" & 4" diameter non-metallic boxes • Provides fast installation of fully assembled fixture to JBox • Suitable for use in closets, compliant when installed to NFPA® 70 NEC® Section 410.16 (A)(1) and (C)(1).

LIFE:

High performance, long functional life of 50,000 hrs (L70).

LISTINGS:

ETL listed for US and Canada • Certified to the high efficacy requirements of California T24 JA8-2019 • Suitable for indoor and wet locations.

WARRANTY:

5-year limited warranty. This is the only warranty provided and no other statements in this specification sheet create any warranty of any kind. All other express and implied warranties are disclaimed. Complete warranty terms located at: www.acuitybrands.com/support/warranty/terms-and-conditions

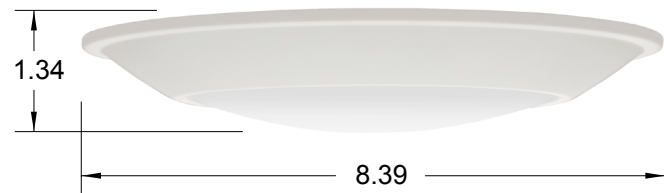
Note: All reports are based on published industry procedures; actual performance may differ as a result of the end-user environment and applications.

All values are design or typical values, measured under laboratory conditions at 25 °C. Specifications subject to change without notice.

Dimensions

	Width	Depth	Lens Opening
JSBT 6IN	8.39	1.34	5.35

All dimensions are in inches



JSBT 6IN