



Catalog Number
Notes
Type

Contractor Select™

JSBT

Juno® SlimBasics™ Tapered LED Surface Mount Disk Light



JSBT 4IN



JSBT 6IN

The SlimBasics™ JSBT Tapered LED Disk Lights are low-profile and the perfect economic solution for any junction box installation. Available in 4in and 6in sizes, the JSBT mounts directly over standard junction boxes allowing the fixture to be installed below the ceiling resulting in a budget friendly install. Additionally, these surface mount disk lights bring an aesthetically pleasing design element that blends with any décor.

FEATURES:

- Suitable for wet locations (indoor covered ceilings): perfect for closet, showers, bathrooms, and outdoor soffits and ceiling covering applications
- Residential and Light Commercial applications including multi-family and hospitality
- Installs directly into industry standard junction boxes



Catalog Number	UPC	Description	Lumens	Input Watts	CCT	CRI	Voltage	Finish	Pallet qty.
JSBT 4IN 30K 90CRI WL MW M6	00194995365364	LED Tapered Disk Light	750L	10.5W	3000K	90	120V	White	900
JSBT 6IN 30K 90CRI WL MW M6	00194995365388	LED Tapered Disk Light	990L	14.4W	3000K	90	120V	White	480

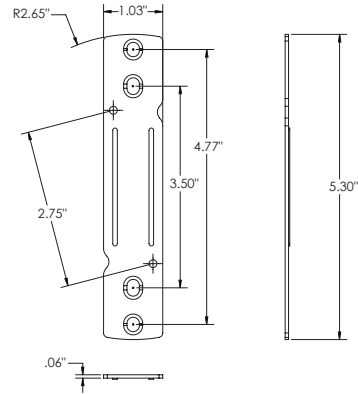
ACCESSORIES	
JSBTADPTR 4IN CNDA M50	Canadian 4" JBOX Adapter

JBOX Compatibility

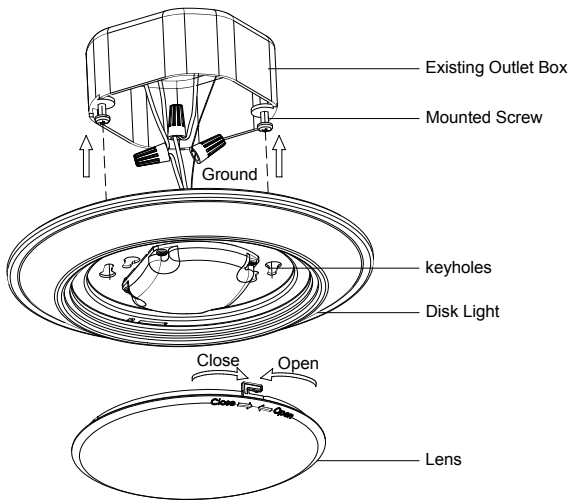
	3-1/2" Octagon Box Steel	4" Drawn Octagon 1-1/2" Deep Steel	3-1/2" Drawn Round Ceiling Pan Steel / Old Work	4" Round Plastic / New York	4" Drawn Round Ceiling Pan Steel	4" Round Plastic / New Work	4" Dia. Ceiling Box With Bar Plastic / New York
Exterior LXWXH	3.2" x 3.2" x 1.55"	3.54" x 3.54" x 1.55"	3.38" Rd. x 0.5" Dep.	4" Dia. x 2.3"	4" Dia. x 0.5" Dep.	4" Dia. x 2.375"	14.5" x 4.5" x 4"
Mounting Dimension	2.75"	3.5"	2.75"	2.75" / 3.5"	3.5"	2.75" / 3.5"	2.75" / 3.5"
Fixture	JSBT 4IN/ JSBT 6IN	JSBT 6IN	JSBT 4IN/ JSBT 6IN	JSBT 4IN/ JSBT 6IN	JSBT 6IN	JSBT 4IN/ JSBT 6IN	JSBT 4IN/ JSBT 6IN

	4" Square Box	WiringPro 4" Square Box	Iberville 4" Octagonal Box
Exterior LXWXH	4" x 4" x 1.5"	4" X 4" X 1.5"	4" x 4" x 1.5"
Mounting Dimension	4"	4"	4"
Fixture	JSBT 4IN	JSBT 4IN	JSBT 4IN

Canadian 4IN J-Box Bracket



Exploded Drawing View



- Installs directly into industry standard junction boxes
- Compatible boxes include 3-1/2" and 4" octagon junction boxes (1-1/2" minimum depth), round mud rings with 2-3/4" mounting centers and 3" and 4" diameter non-metallic boxes
- Suitable for ceiling mount
- Suitable for use in closets, compliant when installed to NFPA® 70 NEC® Section 410.16 (A)(1) and (C)(1)

Dimmer Compatibility

Forward Phase Dimmers	Reverse Phase Dimmers	Acuity Brands Dimmers
Lutron Maestro® STCL-153	Lutron Diva ELV® DVELV-300P	Acuity SensorSwitch® Forward phase paddle dimmer/WPD WH
Lutron RadioRa® RRD-10ND	Lutron Maestro ELV® MAELV-600	
Lutron Diva® DVCL-153P		
Lutron Vive® MRF2S-6ND		
Lutron Caseta® PD-6WCL		
Leviton SureSlide® IPM06-1LZ		
Leviton Illumatech® IPL06-10Z		



Specifications

INTENDED USE:

The Juno® SlimBasics™ LED disk light can be paired with an industry standard JBOX for new construction or retrofit over an existing box to upgrade the look of the space. It's wet location listing makes it great for bathrooms, patios, entryways and porches.

CONSTRUCTION:

Low profile tapered aluminum trim frame with matte white finish • Molded polycarbonate, UV stabilized diffuser dome lens conceals the LEDs from direct view and provides uniform lens luminance.

ELECTRICAL:

Accommodates 120 volts AC at 60Hz • 90 CRI minimum • Dimmable with most standard magnetic low voltage and electronic low voltage dimmers.

JUNCTION BOX MOUNTING:

The driverless JSBT installs directly into industry standard junction boxes that requires no separate mounting bracket for installation • Compatible boxes include 3-1/2" and 4" octagon junction boxes (1-1/2" minimum depth), round mud rings with 2-3/4" mounting centers, and 3" & 4" diameter non-metallic boxes • Provides fast installation of fully assembled fixture to JBox • Suitable for ceiling mount • Suitable for use in closets, compliant when installed to NFPA® 70 NEC® Section 410.16 (A)(1) and (C)(1).

LIFE:

High performance, long functional life of 50,000 hrs (L70).

LISTINGS:

ETL listed for US and Canada • Certified to the high efficacy requirements of California T24 JA8-2019 • Wet location

WARRANTY:

5-year limited warranty. This is the only warranty provided and no other statements in this specification sheet create any warranty of any kind. All other express and implied warranties are disclaimed. Complete warranty terms located at: www.acuitybrands.com/support/warranty/terms-and-conditions

Note: All reports are based on published industry procedures; actual performance may differ as a result of the end-user environment and applications.

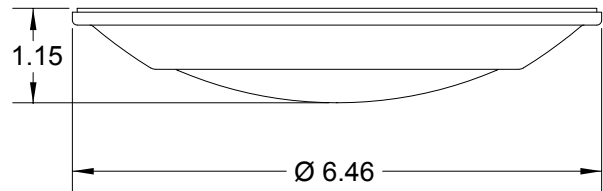
All values are design or typical values, measured under laboratory conditions at 25 °C.

Specifications subject to change without notice.

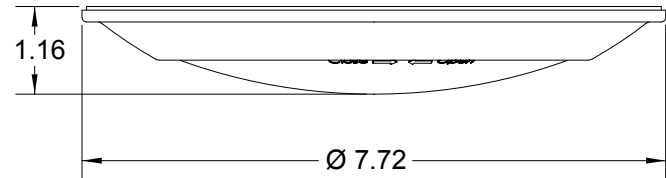
Dimensions

	Width	Depth
JSBT 4IN	6.46	1.15
JSBT 6IN	7.72	1.16

All dimensions are in inches



JSBT 4IN



JSBT 6IN