

OVERVIEW

# High Center Beam Wall Mount Cylinder

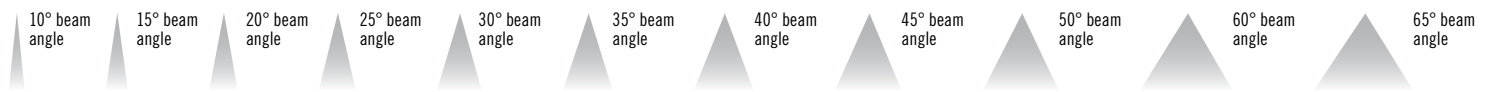
# 4"



### Feature Set

- Eleven optimized distribution patterns allow designers to achieve tailored objectives
- Bounding Ray™ optical design
- 45° cutoff to source and source image
- Fully serviceable lensed LED light engine
- 70% lumen maintenance at 60,000 hours
- 2.5 SDCM; 85 CRI typical, 90+ CRI optional
- Fixtures are damp location standard; wet location option (WL), covered ceiling, IP66 option available, covered ceiling not required.
- 20 standard colors in textured and gloss finish; custom or RAL colors also available)
- Field configurable surface junction box conduit covers available
- ENERGY STAR® Certified product
- UGR of zero for fixtures aimed at nadir with a cut-off equal to or less than 60deg per CIE 117-1995 Discomfort Glare in Interior Lighting. UGR FAQ ([UGR FAQ](#))

### Distribution



### Superior Performance

Nominal Lumens	500	750	1000	1500	2000	2500	3000	3500	4000	4500	5000
Delivered	703	807	1062	1545	1977	2419	2920	3548	3982	4419	4848
Wattage	6.7	7.5	9.8	15.1	21.5	26.5	34.1	33.8	39.5	46.2	53.2
Efficacy	104	108	108	102	92	91	86	105	101	96	91

COMPLEMENTARY PRODUCTS

### Coordinated Apertures | Multiple Layers of Light



General Illumination Layer | EVO



High Center Beam Layer | Incito



EVO + Incito — Multiple Layers of Light

Core	Downlight	Adjustable	Open Wallwash	Lensed Wallwash	Cylinder	Pinhole	Bevel	Hyperbolic
Healthcare	MRI	Surgical Suite	Patient Room					
Special Applications	Dynamic	Food Service	Vandal/Tamper	Clean Room	Shower	Steam Room		

Luminaire Type:

Catalog Number:

EXAMPLE: IC04WC 35/15 AR LSS 35D MVOLT EZ1 JBX DN DWHG

Series	Color Temperature	Lumens	Reflector Color	Reflector Finish	Beam	Voltage
IC04WC Incito 4in Wall Mount Round Cylinder Open Downlight	27/ 2700 K	05 500 lumens	AR Clear	LSS Semi-specular	100 <sup>3</sup> 10° beam angle	MVOLT 120V - 277V
	30/ 3000 K	07 750 lumens	PR Pewter	LD Matte diffuse	150 15° beam angle	120 120V
	35/ 3500 K	10 1000 lumens	WTR Wheat	LS Specular	200 20° beam angle	277 277V
	40/ 4000 K	15 1500 lumens	GR Gold		250 25° beam angle	347 <sup>5</sup> 347V
	50/ 5000 K	20 2000 lumens	WR <sup>1</sup> White painted		300 30° beam angle	
		25 2500 lumens	BR <sup>1</sup> Black		350 35° beam angle	
		30 3000 lumens	WRAMF <sup>1</sup> White anti-microbial		400 40° beam angle	
		35 3500 lumens	BZR <sup>1</sup> Dark Bronze painted		450 45° beam angle	
		40 4000 lumens	TRALTB <sup>1,2</sup> Trim RAL # TBD (TBD for pricing only)		500 50° beam angle	
		45 4500 lumens	TCPC <sup>1</sup> Trim Custom Paint Color TBD (TBD for pricing only)		600 60° beam angle	
		50 5000 lumens			650 65° beam angle	
				ASYM <sup>4</sup> Asymmetric		

Driver <sup>6</sup>	Mounting	Fixture Orientation	Emergency Option
GZ10 0-10V driver dims to 10%	JBX Integral driver, Recessed or Surface J-box	DN Mounted with reflector pointing down	(blank) No emergency options
GZ1 0-10V driver dims to 1%		UP <sup>9</sup> Mounted with reflector pointing up	E6W 6W integral emergency battery. Not available for 1500LM & 2000LM. Max 3000LM.
EZ10 eldoLED 0-10V ECOdrive. Linear dimming to 10% min.	JBXCC Integral driver, Surface J-box with Conduit Covers		E7WCP <sup>10</sup> IOTA® 7W emergency battery (sidecar). Not available for 500LM. Max 5000LM.
EZ1 eldoLED 0-10V ECOdrive. Linear dimming to 1% min.			E10WCP <sup>10</sup> IOTA® 10W emergency battery (sidecar). Not available below 1000LM. Max 5000LM.
EZB eldoLED 0-10V SOLOdrive. Logarithmic dimming to <1%.			E15WCP <sup>10</sup> IOTA® 15W emergency battery (sidecar). Not available below 1500LM. Max 5000LM.
EDAB <sup>7</sup> eldoLED SOLOdrive DALI. Logarithmic dimming to <1%.			
EDXB <sup>7,8</sup> eldoLED POWERdrive DMX with RDM (remote device management). Square Law dimming to <1%. Min: 1000LM; Max: 4000LM.			
ECOD <sup>7</sup> Lutron® EcoSystem® digital Hi-Lume 1% soft-on, fade to black. Max: 4000LM.			

Control Interface <sup>11</sup>	Options	Architectural Colors - Powder Paint <sup>18</sup>	
(blank) No controls	SF Single fuse. Specify 120V or 277V.	DDB Gloss Dark Bronze	DDBT Textured Dark Bronze
NLT nLight® dimming pack.	90CRI High CRI (90+)	DBL Matte Black	DBLB Textured Black
NLTER <sup>12</sup> nLight® dimming pack for fixtures on emergency circuit	N80 <sup>13</sup> nLight Lumen Compensation	DWH Gloss White	DWHG Textured White
NLTAIR2 nLight® AIR dimming pack.	HAO <sup>14</sup> HAO High Ambient Option (40°C)	DMB Matte Medium Bronze	DBNH Textured Bronze
NLTAIRER2 <sup>12</sup> nLight® AIR dimming pack for fixtures on emergency circuit	WL <sup>15,17</sup> Wet Location	DNA Gloss Natural Aluminum	DNAT Textured Natural Aluminum
	IP66 <sup>16,17</sup> Lensed, IP66 rated	DSS Gloss Sandstone	DSST Textured Sandstone
		DGC Gloss Charcoal Grey	DSPD Textured Dark Grey
		DTG Gloss Tennis Green	DSPE Textured Green
		DBR Gloss Bright Red	DSPH Textured Light Red
		DSB Gloss Steel Blue	DWHAMF Gloss White with Anti-microbial finish
			RALTB <sup>2</sup> Cylinder RAL # TBD (TBD for pricing only)
			CPC Cylinder Custom Paint Color TBD (TBD for pricing only)

ACCESSORIES — order as separate catalog numbers (shipped separately)

G COLORS KIT	Architectural colors chip kit, consisting of powder-coat and plated finishes
OPTC4 XXD	Additional optics for field installation. Replace "XX" with beam angle.

**ORDERING NOTES**

1. Not Available with Finishes.
2. Replace with applicable RAL number and finish when ready to order. See RAL BROCHURE for available color options.
3. Not available with emergency battery pack options. Only available 1500lm and below.
4. Requires UP option.
5. Factory supplied step down transformer must be remote mounted. Access required to location of remote mounted device.
6. Refer to [Tech 240](#) for compatible dimmers.
7. Not Available with Control Interfaces.
8. Includes terminator resistor.
9. For indoor, damp location use only.
10. Not available with WL or IP66 options. Damp location listed only.
11. Field installed. Access required to location of remote mounted device.
12. For use with generator supply EM power. Will require an emergency hot feed and normal hot feed.
13. Fixture begins at 80% light level. Must be specified with NLT or NLTER. Only available with eldoLED drivers
14. Only available up to 2500 lumens; not available with WL or IP66.
15. Not available with UP. Max: 3000LM.
16. IP66 should be selected if Wet Location is required with UP fixture orientation. Max 2500LM.
17. Not available with JBXCC.
18. For details on RAL and Custom colors please see [Architectural colors](#).

**Optical Assembly**

Fully serviceable and upgradeable lensed LED light engine suitable for field maintenance or service from below the ceiling. Optical design is a Bounding Ray™ design with 45° cutoff to source and source image. Top down flash characteristic for superior glare control.

**Electrical**

The luminaire shall operate from a 50 or 60 Hz ±3 Hz AC line over a voltage ranging from 120 VAC to 277 VAC. Support 347V via remote-mounted stepdown transformer. The fluctuations of line voltage shall have no visible effect on the luminous output.

The luminaire shall have a power factor of 90% or greater at all standard operating voltages and full luminaire output.

Sound Rated A+. Driver shall be >80% efficient at full load across all input voltages.

Input wires shall be 18AWG, 300V minimum solid copper.

**Controls**

Luminaire shall be equipped with interface for nLight wired or nLight AIR networks with integral power supply as per specification.

**Emergency**

Luminaires supplied with a battery pack comply with NFPA 101 (Life Safety code) and deliver constant light output throughout the 90 minutes of code required emergency operation period when there is a normal AC power loss.

Luminaires equipped with a generator transfer device work in conjunction with an auxiliary generator or a central inverter system to power fixtures for safe egress lighting.

**Dimming**

The luminaire shall be capable of continuous dimming without perceivable stroboscopic flicker as measured by flicker index (ANSI/IES RP-16-10) over a range of 100 – 10%, 100 – 1.0% or 100 – 0.1% of rated lumen output with a smooth shut off function to step to 0%.

eldoLED LED drivers shall conform to IEEE P1789 standards. Alternatively, manufacturers must demonstrate conformance with product literature and testing which demonstrates this performance. Systems that do not meet IEEE P1789 will not be considered.

Driver is inaudible in 24dB environment, and stable when input voltage conditions fluctuate over what is typically experienced in a commercial environment.

**Construction**

Heaving-gauge aluminum construction.

Extruded body with flangeless reflector allows flow-through passive thermal management.

Surface ceiling mount for direct installation to 4" recessed or surface octagonal junction box.

Optional field configurable conduit covers available. Conduit covers match cylinder in finish and diameter.

**Listings**

Fixtures are CSA Certified to meet US and Canadian Standards: All fixtures manufactured in strict accordance with the appropriate and current requirements of the "Standards for Safety" to UL, damp location standard; wet location options available under covered ceiling (WL) or lensed (IP66).

Luminaire configurations are Energy Star certified through testing in EPA-recognized laboratories, with the results reviewed by an independent, accredited certification organization. Visit [www.energystar.gov](http://www.energystar.gov) for specific configurations listed.

**Photometrics**

LEDs tested to LM-80 standards. Measured by IESNA Standard LM-79-08 in an accredited lab. Lumen output shall not decrease by more than 30% over the minimum operational life of 60,000 hours.

Color appearance from luminaire to luminaire of the same type and in all configurations, shall be consistent both initially and at 6,000 hours and operate with a tolerance of <2.5 MacAdam ellipse as defined by the center of the quadrangles defined in ANSI C78.377-2015.

**BUY AMERICAN ACT**

This product is assembled in the USA and meets the Buy America(n) government procurement requirements under FAR, DFARS and DOT regulations. Please refer to [www.acuitybrands.com/buy-american](http://www.acuitybrands.com/buy-american) for additional information.

**Warranty**

5-year limited warranty. This is the only warranty provided and no other statements in this specification sheet create any warranty of any kind. All other express and implied warranties are disclaimed. Complete warranty terms located at: [www.acuitybrands.com/support/warranty/terms-and-conditions](http://www.acuitybrands.com/support/warranty/terms-and-conditions)

**Note:**

Actual performance may differ as a result of end user environment and application. All values are design or typical values, measured under laboratory conditions at 25 °C.

**A+ Capable Luminaire**

This item is an A+ capable luminaire, which has been designed and tested to provide consistent color appearance and out-of-the-box control compatibility with simple commissioning when used with Acuity Brands controls products.

All configurations of this luminaire are calibrated and tested meet the Acuity Brands' specification for chromatic consistency - including color rendering, color fidelity and color temperature tolerance around the standard CIE chromaticity coordinates..

To learn more about Acuity A+ standards, specifications and testing, visit [www.acuitybrands.com/aplus](http://www.acuitybrands.com/aplus).

ICO - eldoLED Driver Default Dimming Curve			
Nomenclature	Min Dimming	Driver Dim Curve	Control Dim Curve
EZ10	10%	Linear	Linear/Logarithmic
EZ1	1%	Linear	Linear/Logarithmic
EZB	<1%	Logarithmic	Linear
EDAB	<1%	Logarithmic*	Linear
EDXB	<1%	Square	Linear

\*Changable through DALI controller

J-box Compatibility Matrix		Cylinder Configurations	
		JBX	JBX w/EDXB Driver
Recommended J-box (by others)	4" Octagonal 4x4x1.5 deep"	✓	✗
	4" Octagonal 4x4x2.125 deep	✓	✓
	4" Square 4x4x1.5 deep	✓	✗

Driver		Control Provided (note: 347V/UVOLT versions provided with 347 option selected)			
Nomenclature	Description	NLT	NLTER	NLTAIR2	NLTAIRER2
GZ10	0-10V driver dims to 10%	nPP16 D EFP	nPP16 D ER EFP	RPP20 D 24V G2	RPP20 D 24V ER G2
GZ1	0-10V driver dims to 1%	nPP16 D EFP	nPP16 D ER EFP	RPP20 D 24V G2	RPP20 D 24V ER G2
EZ10	eldoLED 0-10V ECOdrive	nPS 80 EZ	nPS 80 EZ ER	RPP20 D 24V G2	RPP20 D 24V ER G2
EZ1	eldoLED 0-10V ECOdrive	nPS 80 EZ	nPS 80 EZ ER	RPP20 D 24V G2	RPP20 D 24V ER G2
EZB	eldoLED 0-10V SOL0drive	nPS 80 EZ	nPS 80 EZ ER	RPP20 D 24V G2	RPP20 D 24V ER G2

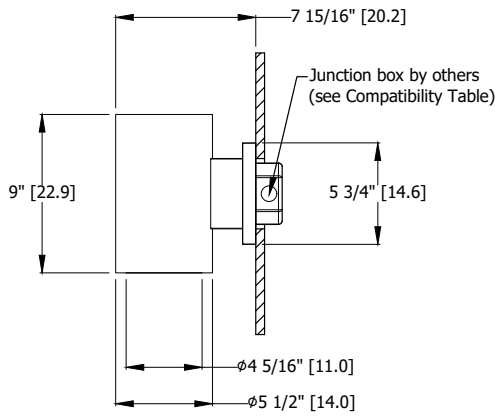
Standard Architectural Color Options for Cylinder Bodies

 <b>DSS LITHONIA</b> P12 Sandstone	 <b>DSST TEXTURED</b> P90 Sandstone	 <b>DBR LITHONIA</b> P34 Bright Red	 <b>DSPH TEXTURED</b> P80 Light Red	 <b>DMB LITHONIA</b> P11 Medium Bronze	 <b>DBNH TEXTURED</b> P74 Bronze	 <b>DTG LITHONIA</b> P33 Tennis Green	 <b>DSPE TEXTURED</b> P78 Green
 <b>DSB LITHONIA</b> P49 Steel Blue	 <b>DNA LITHONIA</b> P07 Natural Aluminum	 <b>DNAT TEXTURED</b> P89 Natural Aluminum	 <b>DGC LITHONIA</b> P32 Charcoal Gray	 <b>DSPD TEXTURED</b> P77 Dark Grey	 <b>DDB LITHONIA</b> P50 Dark Bronze	 <b>DDBT TEXTURED</b> P88 Dark Bronze	 <b>DBL LITHONIA</b> P13 Black
 <b>DBLB TEXTURED</b> P75 Black	 <b>DWH LITHONIA</b> P21 White	 <b>DWHG TEXTURED</b> P86 White					

NOTE: These colors were carefully reproduced to give as true a depiction as possible of finished product color. Some colors, however, may vary slightly from actual appearance due to display/printing variations and limitations. Please order the GCOLORS KIT listed in the 'Accessories' section of the spec sheet for an accurate paint chip sample.

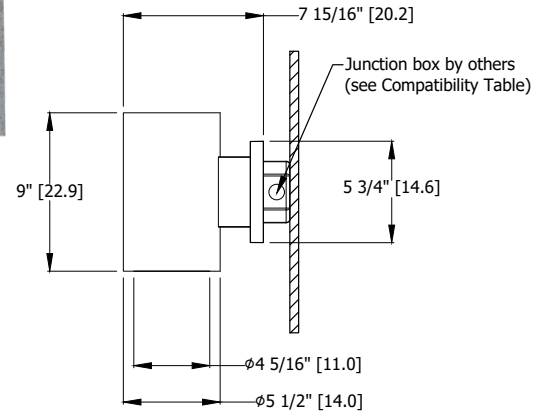
DIMENSIONAL DATA

**JBX Recessed J-Box**



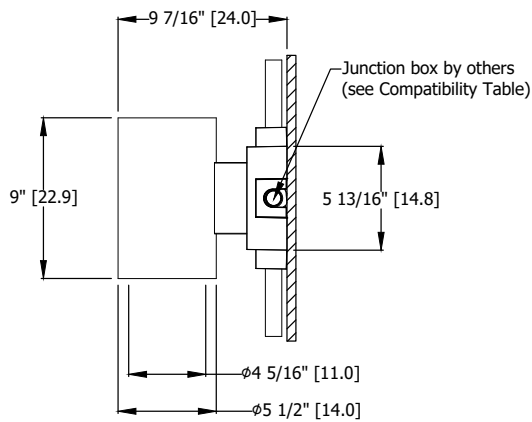
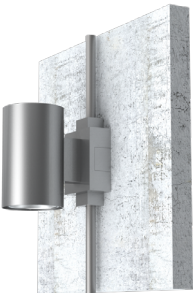
Luminaire can be specified as uplight or downlight

**JBX Surface J-Box**



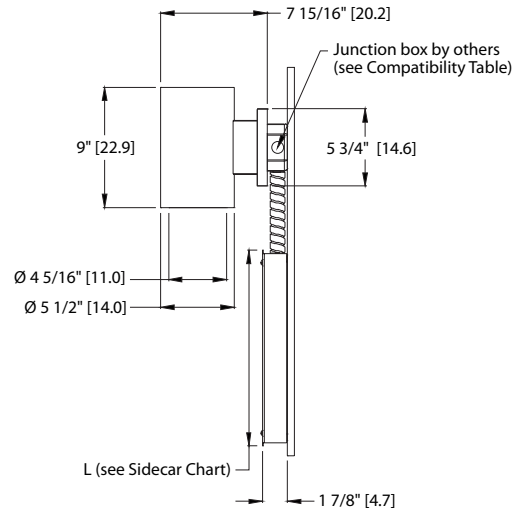
Luminaire can be specified as uplight or downlight

**JBXCC Surface J-Box with Conduit Covers**



Luminaire can be specified as uplight or downlight

**JBX Surface J-Box with Sidecar Battery**

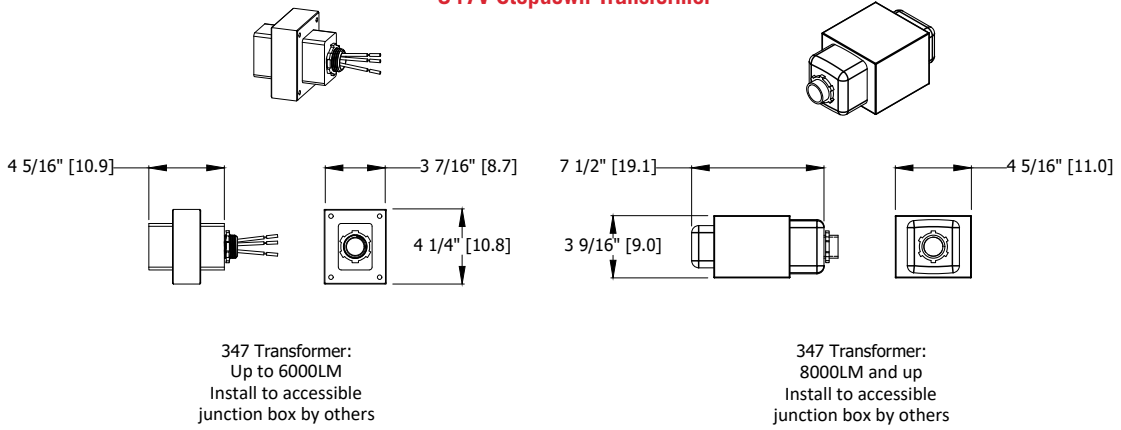


Luminaire can be specified as uplight or downlight

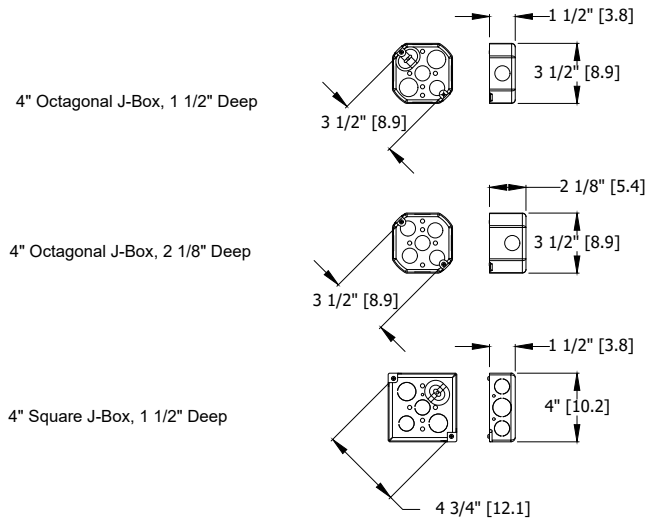
\*Dimensions in inches [centimeters]

DIMENSIONAL DATA

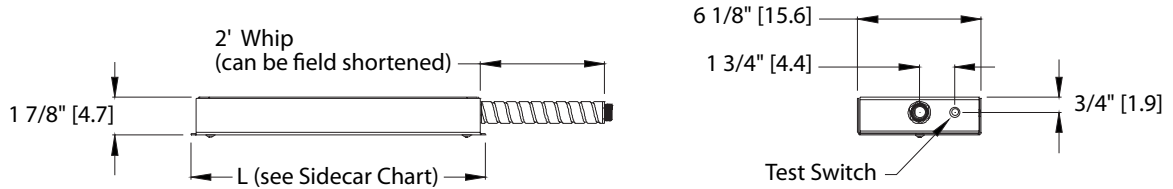
**347V Stepdown Transformer**



**Junction Box Dimensions (by others)**



**Emergency Battery Sidecar Dimensions**



SIDECAR LENGTH CHART		
Reflector Finish	Multiplier	Multiplier
E7WCP	750LM AND GREATER EXCEPT AS NOTED BELOW	14"
	6000-8000LM	16"
	5000-8000LM WITH ECOD DRIVER	
E10WCP	1000LM AND GREATER EXCEPT AS NOTED BELOW	14"
	6000-8000LM	16"
	5000-8000LM WITH ECOD DRIVER	
E15WCP	1500LM AND GREATER	16"

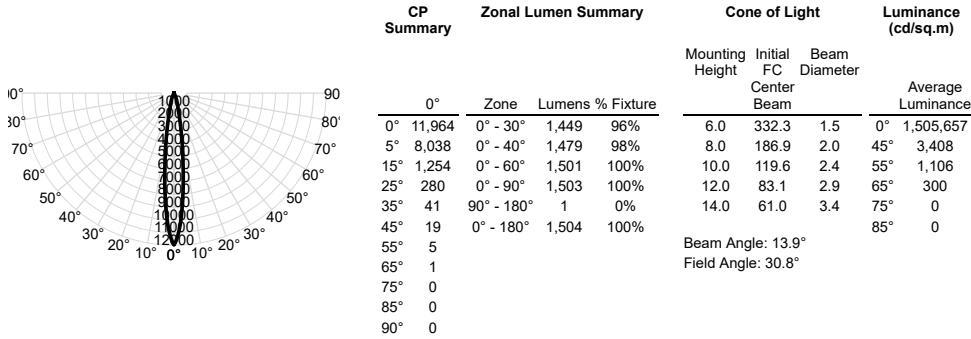
\*Dimensions in inches [centimeters]



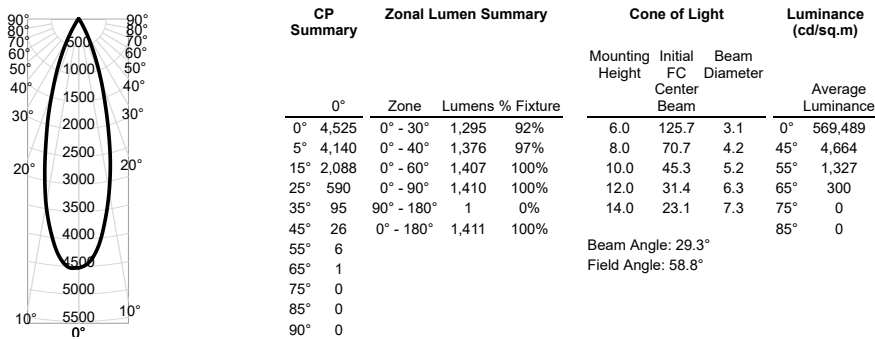
Photometry

CONSULT [WWW.GOTHAMLIGHTING.COM](http://WWW.GOTHAMLIGHTING.COM) FOR ADDITIONAL PHOTOMETRY.

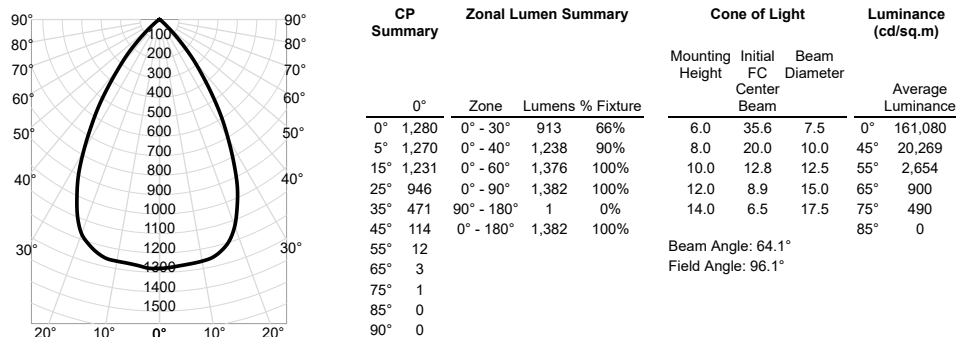
**ICO4WC 35/15 AR LSS 15D** Input Watts: 15.1, Delivered Lumens: 1504, LPW: 99.6, S/MH: 0.24, Test No: ISF 192654P5564



**ICO4WC 35/15 AR LSS 30D** Input Watts: 15.1, Delivered Lumens: 1411, LPW: 93.4, S/MH: 0.47, Test No: ISF 192657P7303



**ICO4WC 35/15 AR LSS 65D** Input Watts: 15.1, Delivered Lumens: 1382, LPW: 91.5, S/MH: 0.98, Test No: ISF 192663P5564



Lumen Output Multiplier		
CRI	CCT	Multiplier
80	2700K	0.916
	3000K	0.948
	3500K	1
	4000K	1.032
	5000K	1.1
90	2700K	0.748
	3000K	0.8
	3500K	0.838
	4000K	0.845
	5000K	0.945

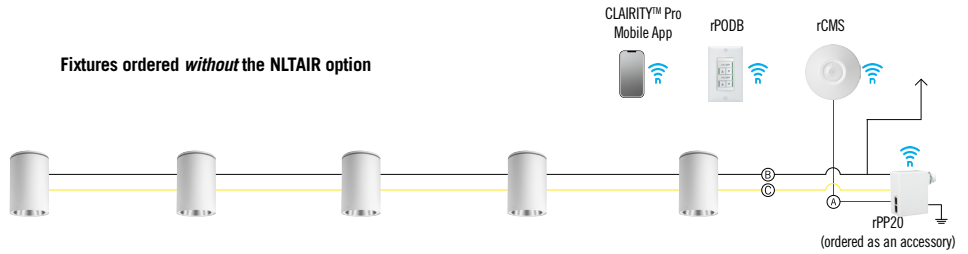
Reflector Finish Multiplier	
Reflector Finish	Multiplier
LS - Specular	1
LSS - Semi Specular	0.956
WR - White	0.87
LD - Matte Diffuse	0.85
BR - Black	0.73
BZR - Bronze	0.73



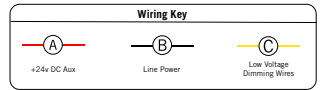
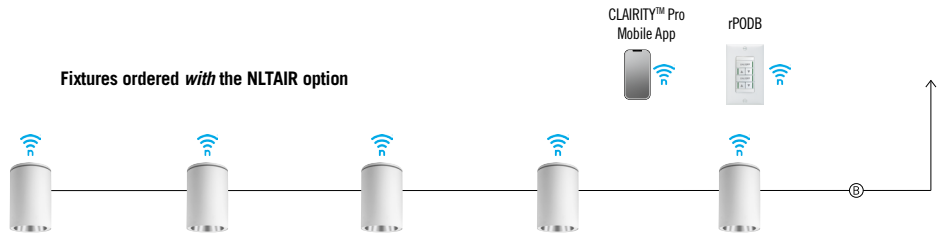
**nLight® AIR** is the ideal solution for retrofit or new construction spaces where adding communication wiring is cost prohibitive. The integrated nLight AIR rPP20 Power Pack is part of each EVO Luminaire ordered with the NLTAIR option. These individually addressable controls offer the ultimate in flexibility during initial setup and for space repurposing.

Possibilities for nLight® AIR

Fixtures ordered *without* the NLTAIR option



Fixtures ordered *with* the NLTAIR option



**nLight® AIR Control Accessories**  
Order as separate catalog number. Visit [nLight AIR](#).

Wall Switches	Model Number
On/Off single pole	rPODB (color) G2
On/Off two pole	rPODB 2P (color) G2
On/Off & raise/lower single pole	rPODB DX (color) G2
On/Off & raise/lower two pole	rPODB 2P DX (color) G2

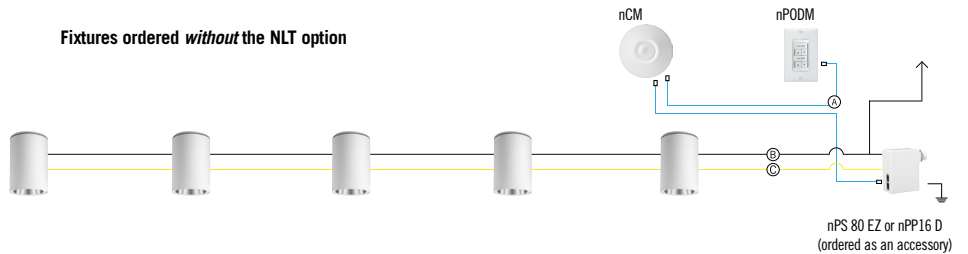
**nLight® AIR Control Accessories (cont.)**

Occupancy Sensors (PIR/dual tech)	Model Number
Small motion 360°, ceiling	rCMS 9 / rCMS PDT 9
Large motion 360°, ceiling	rCMS 10 / rCMS PDT 10

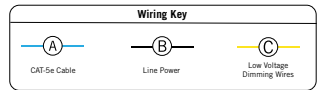
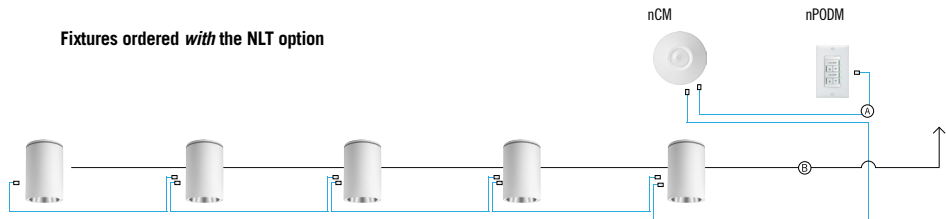
**nLight® Wired** The nLight® solution is a digital networked lighting control system that provides both energy savings and increased user configurability by cost effectively integrating time-based, daylight-based, sensor-based and manual lighting control schemes.

Possibilities for nLight® wired

Fixtures ordered *without* the NLT option



Fixtures ordered *with* the NLT option



**nLight® Wired Control Accessories**  
Order as separate catalog number. Visit [nLight](#).

Wall Switches	Model Number
On/Off single pole	nPODM (XX)
On/Off two pole	nPODM 2P (XX)
On/Off & raise/lower single pole	nPOD DX (XX)
On/Off & raise/lower two pole	nPODM 2P DX (XX)
Graphic touchscreen	nPOD GFX (XX)

**Photocell Controls**

Dimming	nCM ADCX
---------	----------

**nLight® Wired Control Accessories (cont.)**

Occupancy Sensors (PIR/dual tech)	Model Number
Small motion 360°, ceiling	nCM 9 / nCM PDT 9
Large motion 360°, ceiling	nCM 10 / nCM PDT 10
Wide View	nWV 16 / nWV PDT 16
Wall switch with raise/lower	nWSX LV DX / nWSX PDT LV DX

**Cat-5 Cables (plenum rated)**

10', CAT5	CAT5 10FT J1
15', CAT5	CAT5 15FT J1