

Gotham Architectural Downlighting
LED Downlights

**4" Evo® Warm Dimming
Downlight**

Solid-State Dynamic Lighting



FEATURES

OPTICAL SYSTEM

- Self-flanged semi-specular, matte-diffuse or specular finishing trim
- Patented Bounding Ray™ optical design (U.S. Patent No. 5,800,050)
- 45° cutoff to source and source image
- Top-down flash characteristic
- Polycarbonate lens integral to light engine

MECHANICAL SYSTEM

- 16-gauge galvanized steel construction; maximum 1-1/2" ceiling thickness
- Telescopic mounting bars maximum of 32" and minimum of 15", preinstalled, 4" vertical adjustment
- Toolless adjustments post installation
- Junction box capacity: 8 (4 in, 4 out) 12AWG rated for 90°C
- Light engine and driver accessible through aperture

ELECTRICAL SYSTEM

- Fully serviceable lensed LED light engine
- 70% lumen maintenance at 36,000 hours
- Tested according to LM-79 and LM-80 standards
- Overload and short circuit protected
- 2.5 SDCM; Typical CRI of 90 at 3000K

LISTINGS

- Fixtures are CSA certified to meet US and Canadian standards; wet location, covered ceiling

BUY AMERICAN ACT

- This product is assembled in the USA and meets the Buy America(n) government procurement requirements under FAR, DFARS and DOT regulations. Please refer to www.acuitybrands.com/buy-american for additional information.

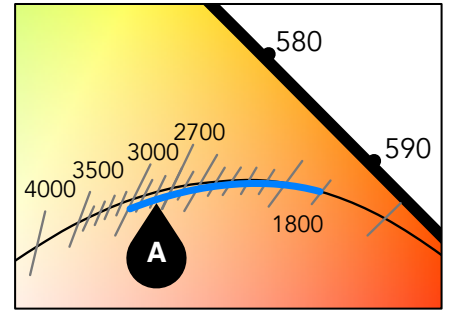
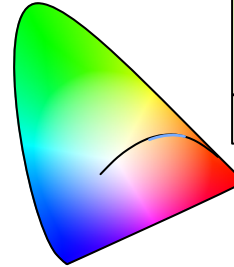
WARRANTY

- 5-year limited warranty. Complete warranty terms located at: www.acuitybrands.com/CustomResources/Terms_and_conditions.aspx

Note: Actual performance may differ as a result of end user environment and application. All values are design or typical values, measured under laboratory conditions at 25° C.

WARM DIMMING GPHD

- **Gamut** Triangular: to achieve efficiency and CRI
- **Path** Curved tracking Black Body Curve: 3000K@100%-1800K<1% (Halogen Range)
- **Handle** One Handle: Intensity (with implicit CCT)
- **Data** DMX512/RDM and nLight®



A Halogen Range 3000K to 1800K

ORDERING INFORMATION

EXAMPLE: EVO WDIM HALR/10 4AR MD LSS 120 DMX

Series	Sub Series	Dynamic Feature	Dynamic Range	Lumens ¹	Aperture/Trim Color	Aperture Type
EVO Dynamic downlight	(blank) Open downlight	WDIM Warm Dimming	HALR 1800K-3000K 'Halogen Range'	/10 1000 Lumens	4AR Clear	(blank) Self-flanged
				/18 1800 Lumens	4PR Pewter	FL Flangeless
					4WTR Wheat	
					4GR Gold	
					4WR² White painted	
					4BR² Black painted	
					4WRAMF² White painted antimicrobial finish	

Distribution	Aperture Finish	Voltage	Control Interface Type	Options
MD Medium (0.8 s/mh)	LSS Semi-specular	120 120V	DMX DMX control with Phoenix connectors	SF Single fuse
MWD Medium wide (1.0 s/mh)	LD Matte-diffuse	277 277V	NLT nLight® control interface	TRW³ White painted flange
WD Wide (1.2 s/mh)	LS Specular			TRBL⁴ Black painted flange

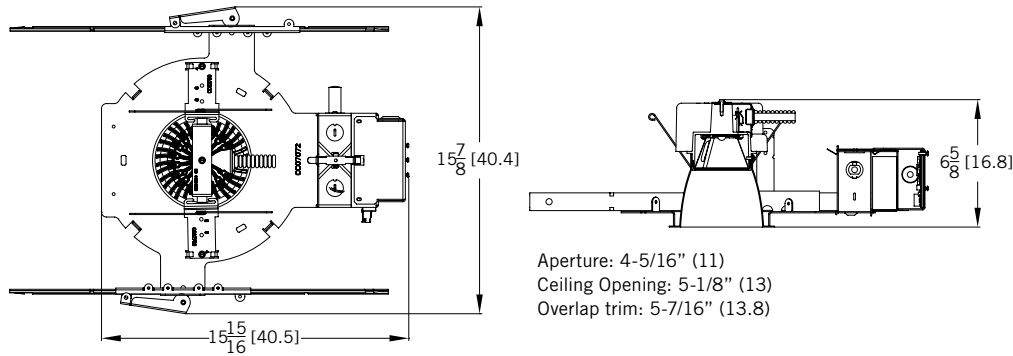
ACCESSORIES

ACCESSORIES order as separate catalog numbers (shipped separately)

- SCA4** Sloped ceiling adapter. Degree of slope must be specified (5D, 10D, 15D, 20D, 25D, 30D). Ex: SCA4 10D. Refer to [TECH-190](#).
- CTA4-8 YK** Ceiling thickness adapter (extends mounting frame to accommodate ceiling thickness up to 5"). Adds 1" to fixture height.
- FCS 7TSN XE DBL** Fresco Lighting Control with DMX, nLight and ethernet. Refer to [FRESCO](#) spec sheet for additional options.
- DXT 1M09 2M12 NE1L** DMX512 RDM configuration gateway. Refer to [DXT](#) spec sheet for additional options.

DIMENSIONAL DATA

All dimensions are inches (centimeters) unless otherwise noted.



Warm Dimming Spacing Requirements

	1000 Lumen	1800 Lumen
Center to Center Spacing	24"	36"
Above Spacing	6"	12"
Center to Wall Spacing	12"	18"

DYNAMIC SPECIFICATIONS

		PERFORMANCE ACROSS DIMMING LEVELS*			
		100%	50%	10%	<1%
/10	Delivered Lumens	923	262	13	2
	Watts	19	9	5	5
	LPW	48	29	3	0.5
	CCT	3000K	2450K	2000K	1800K
	CRI	93	93	86	82
	R9	83	65	45	14
/18	Delivered Lumens	1877	534	26	5
	Watts	35	16	5	5
	LPW	54	33	5	1
	CCT	3000K	2450K	2000K	1800K
	CRI	94	93	86	82
	R9	92	65	45	23

*Values shown for EVO WDIM HALR/## 4AR MWD LSS 120 DMX

NOTES

ORDERING NOTES

- | | |
|---------------------------------|--|
| 1. Nominal lumen values. | 3. Not available with white reflector. |
| 2. Not available with finishes. | 4. Not available with black reflector. |

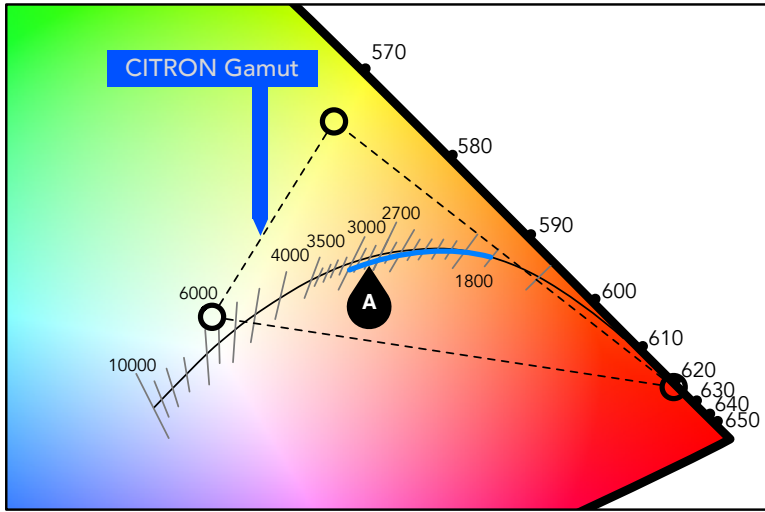
CONSULT GOTHAMLIGHTING.COM FOR PHOTOMETRY

LUMEN OUTPUT MULTIPLIER - TRIM FINISH						
FINISH	CLEAR (AR)	PEWTER (PR)	WHEAT (WTR)	GOLD (GR)	WHITE (WR/WRAF)	BLACK (BR)
Specular (LS)	1.00	0.88	0.83	0.95	N/A	N/A
Semi-specular (LSS)	0.95	0.84	0.79	0.90	N/A	N/A
Matte-diffuse (LD)	0.85	0.73	0.69	0.80	N/A	N/A
Paint	N/A	N/A	N/A	N/A	0.87	0.73

PHOTOMETRY NOTES

- Tested in accordance with IESNA LM-79-08.
- Tested to current IES and NEMA standards under stabilized laboratory conditions.
- Typical CRI of 90 at 3000K.

CITRON GAMUT SHOWING THE HALOGEN RANGE



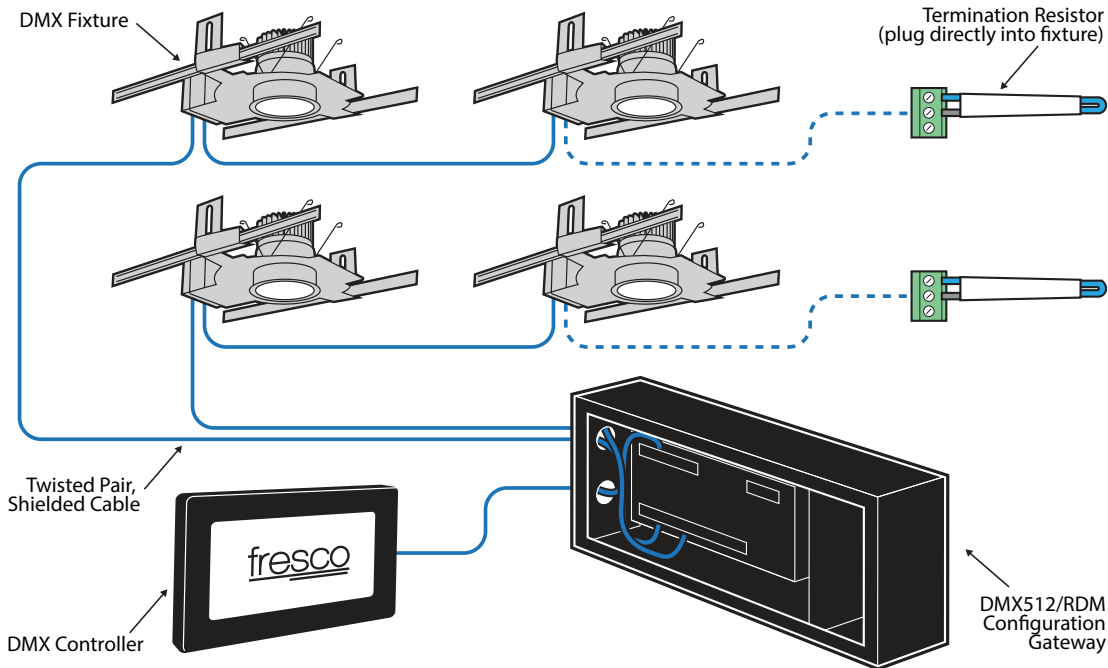
- The Gamut of a luminaire determines the potential color range as well as light quality through measurements such as CRI and R9.
- The Path determines the range of color temperatures for the luminaire and how it tracks the Black Body Curve.

The Halogen Range mimics traditional halogen sources by tracking the Black Body Curve and reaching the rich familiar warm color of 1800K at less than 1% dim level.

A Halogen Range 3000K to 1800K

CITRON Gamut allows curved Path within dashed lines

TYPICAL DMX NETWORK LAYOUT WITH CONFIGURATION GATEWAY



For additional information refer to Gotham [DMX512 / RDM Field Installation Manual](#).

TYPICAL NLIGHT NETWORK LAYOUT

Choose Wall Controls.

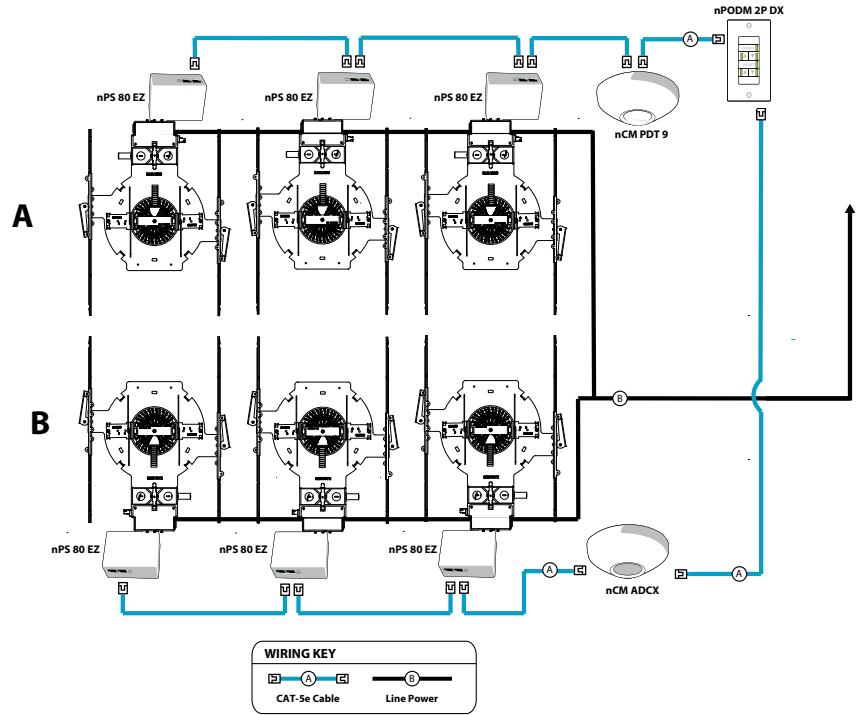
nLIGHT offers multiple styles of wall controls – each with varying features and user experience.



Push-Button WallPod
Traditional tactile buttons and LED user feedback



Graphic WallPod
Full color touch screen provides a sophisticated look and feel



EXAMPLE
Group Fixture Control

- nPS 80 EZ** Dimming/Control Pack (ships installed, one per fixture)
- nPODM 2P DX** Dual On/Off/Dim Push-Button WallPod
- nCM ADCX** Daylight Sensor with Automatic Dimming Control
- nCM PDT 9** Dual Technology Occupancy Sensor

Description: This design provides a dual on/off/dim wall station that enables manual control of each fixture separately. Additionally, a daylight harvesting sensor is provided so the lights in row B can be configured to dim automatically when daylight is available. An occupancy sensor turns off all lights when the space is vacant.

nLight® Control Accessories:			
Order as separate catalog number. Visit www.sensorswitch.com/nLight for complete listing of nLight controls.			
WallPod stations	Model number	Occupancy sensors	Model number
On/Off	nPODM [color]	Small motion 360°, ceiling (PIR / dual tech)	nCM 9 / nCM PDT 9
On/Off & Raise/Lower	nPODM DX [color]	Large motion 360°, ceiling (PIR / dual tech)	nCM 10 / nCM PDT 10
Graphic Touchscreen	nPOD GFX [color]	Wide view (PIR / dual tech)	nWV 16 / nWV PDT 16
Photocell controls	Model number	Wall Switch w/ Raise/Lower (PIR / dual tech)	nWSX LV DX / nWSX PDT LV DX
Dimming	nCM ADCX	Cat-5 cables (plenum rated)	Model number
		10', CAT5 10FT	CAT5 10FT J1
		15', CAT5 15FT	CAT5 15FT J1