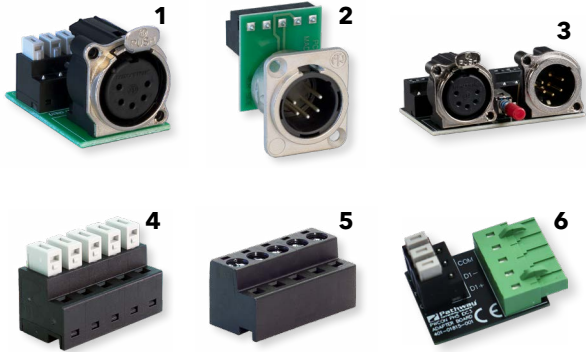


# CONNECTORS



Models shown: 1. PWCON XLR5BF IDC5 Q4  
2. PWCON XLR5DM CSC5 Q4  
3. PWCON XLR5MF CSC5 Q4  
4. PWCON SPARE IDC5 Q4  
5. PWCON SPARE CSC5 Q4  
6. PWCON PH5 IDC3 Q4

## WARRANTY

3-year limited warranty. This is the only warranty provided and no other statements in this specification sheet create any warranty of any kind. All other express and implied warranties are disclaimed. Complete warranty terms located at: [www.acuitybrands.com/support/warranty/terms-and-conditions](http://www.acuitybrands.com/support/warranty/terms-and-conditions)

## NOTE

Actual performance may differ as a result of end-user environment and application. Specifications subject to change without notice.



## ORDERING INFORMATION

PWCON		EXAMPLE: PWCON XLR5BF IDC5 Q4			
Series	Connector Type	Rear Connector Type	Quantity		
PWCON Pathway Data Receptacle Connectors	XLR5BF <sup>1,2</sup>	XLR 5-Pin Female "B" Type	CSC5 <sup>6</sup>	5-Pin Compression Screw Connector	Q1 Quantity 1
	XLR5BM <sup>1,2</sup>	XLR 5-Pin Male "B" Type	CSC6 <sup>7</sup>	6-Pin Compression Screw Connector	Q2 Quantity 2
	XLR5DF <sup>1,2</sup>	XLR 5-Pin Female "D" Type	CSC3 <sup>6</sup>	3-Pin Compression Screw Connector	Q4 Quantity 4
	XLR5DM <sup>1,2</sup>	XLR 5-Pin Male "D" Type	IDC5 <sup>6</sup>	5-Pin Insulation Displacement Contact Connector	
	XLR3BF <sup>1,2</sup>	XLR 3-Pin Female "B" Type	IDC6 <sup>7</sup>	6-Pin Insulation Displacement Contact Connector	
	XLR3BM <sup>1,2</sup>	XLR 3-Pin Male "B" Type	IDC3 <sup>6</sup>	3-Pin Insulation Displacement Contact Connector	
	XLR4BF <sup>1,2</sup>	XLR 4-Pin Female "B" Type			
	XLR4BM <sup>1,2</sup>	XLR 4-Pin Male "B" Type			
	XLR5MF <sup>3,4</sup>	XLR 5-Pin Male and XLR 5-Pin Female Pass Thru			
	PH5 <sup>1,4</sup>	5-Pin Phoenix to IDC adapter			
SPARE <sup>5</sup>	Spare Compression Screw or IDC connector				

## Notes

- XLR Connectors and PH5 Phoenix adapters must be paired with IDC3 Rear Connectors only, except XLR5MF; see note 3.
- XLR Connectors available in Q4 quantity only, except XLR5MF; see note 4.
- XLR5MF available with CSC5 only.
- XLR5MF and PH5 Connectors available in Q1 quantity only.
- SPARE connectors are simply spare/extra compression screw or IDC connector blocks; as such they have no "rear" connector, however use column 3 to choose the number of pins needed.
- CSC5, IDC5, CSC3, and IDC3 SPARE connectors available in Q4 quantity only.
- CSC6 and IDC6 SPARE connectors available in Q2 quantity only.

## OVERVIEW

Connector-only data receptacles that ship from stock.

Available in three, four, or five-pin XLR connectors, in both male or female; with both Neutrik® B and D series connector options and compression screw or insulation displacement contact (IDC) rear connections.

When using stranded installation wiring, use the compression screw connectors; when using solid-core Category wiring, use IDC for faster installation and more reliable connections without fear of damaging the wire.

Also available are individual spare compression-screw and IDC terminal connectors in 3, 5 and 6 pin sizes, as well as Phoenix terminal to IDC or compression screw adapters for rack-mount DMX Repeaters and Pathport Gateways.

## FEATURES

- XLR connectors feature rugged, Neutrik connectors
  - "B" Type: Same high-quality connectors as our Data Receptacle Inserts (PWINS) and Rack-mount DMX/RDM Gateways and DMX Repeaters (PWPP RM and PWREP RM). Metal mounting flange with continuous ground contact for best EMC practice
  - "D" Type: Metal shell surrounding the entire connector offers RF protection. UL recognized component
- 5-pin XLR and Phoenix adapter connectors available, to mate up a pair of connectors on rack-mount Pathport Gateways or DMX Repeaters to removeable compression-screw or insulation-displacement contact (IDC) connectors, no soldering required
- 5-pin XLR Male & Female Pass Thru available, with "Bypass/Thru" button and rear compression screw connectors
- 3 and 4-pin XLR connectors available with rear compression screw connectors
- 3, 5 and 6-pin compression screw and IDC terminal connectors available as spares

## SPECIFICATIONS

### Mechanical

<b>Dimensions</b>	<b>PWCON XLR[x]BF [CSC5/IDC5]</b> 1.04" W x 1.22" H x 1.55" D (26mm W x 31mm H x 39mm D)
	<b>PWCON XLR[x]BM [CSC5/IDC5]</b> 1.04" W x 1.05" H x 1.55" D (26mm W x 27mm H x 39mm D)
	<b>PWCON XLR5DF CSC5</b> 1.02" W x 1.5" H x 1.64" D (26mm W x 38mm H x 42mm D)
	<b>PWCON XLR5DF IDC5 [with IDC connector closed]</b> 1.02" W x 1.5" H x 1.68" D (26mm W x 38mm H x 43mm D)
	<b>PWCON XLR5DM CSC5</b> 1.02" W x 1.5" H x 1.44" D (26mm W x 38mm H x 37mm D)
	<b>PWCON XLR5DM IDC5 [with IDC connector closed]</b> 1.02" W x 1.5" H x 1.48" D (26mm W x 38mm H x 38mm D)
	<b>PWCON XLR5MF CSC5</b> 2.42" W x 1.22" H x 1.87" D (61.5mm W x 31mm H x 47.5mm D)
	<b>PWCON PH5 CSC3</b> 1.1" W x 0.55" H x 1.59" D (28mm W x 14mm H x 40.4mm D)
	<b>PWCON PH5 IDC5 [with IDC connector closed]</b> 2.45" W x 0.58" H x 1.59" D (62mm W x 14.7mm H x 40.4mm D)
	<b>PWCON SPARE CSC5</b> 1" W x 0.49" H x 0.485" D (25.5mm W x 12.5mm H x 12mm D)
	<b>PWCON SPARE CSC3</b> 0.605" W x 0.49" H x 0.485" D (15.4mm W x 12.5mm H x 12mm D)
	<b>PWCON SPARE CSC6</b> 1.195" W x 0.49" H x 0.485" D (30.3mm W x 12.5mm H x 12mm D)
	<b>PWCON SPARE IDC5 [with IDC connector closed]</b> 1" W x 0.52" H x 0.485" D (25.5mm W x 13.2mm H x 12mm D)
	<b>PWCON SPARE IDC3 [with IDC connector closed]</b> 0.61" W x 0.52" H x 0.485" D (15.5mm W x 13.2mm H x 12mm D)
	<b>PWCON SPARE IDC6 [with IDC connector closed]</b> 1.2" W x 0.52" H x 0.485" D (30mm W x 13.2mm H x 12mm D)

<b>Weight</b>	<b>PWCON XLR[x]BF CSC5</b>	0.70 oz (20 g)
	<b>PWCON XLR[x]BF IDC5</b>	0.63 oz (18 g)
	<b>PWCON XLR[x]BM CSC5</b>	0.56 oz (16 g)
	<b>PWCON XLR[x]BM IDC5</b>	0.49 oz (14 g)
	<b>PWCON XLR5DF CSC5</b>	1.20 oz (34 g)
	<b>PWCON XLR5DF IDC5</b>	1.13 oz (32 g)
	<b>PWCON XLR5DM CSC5</b>	1.06 oz (30 g)
	<b>PWCON XLR5DM IDC5</b>	0.99 oz (28 g)
	<b>PWCON XLR5MF CSC5</b>	1.41 oz (40 g)
	<b>PWCON PH5 IDC3</b>	0.78 oz (22 g)
	<b>PWCON SPARE CSC5</b>	0.21 oz (6 g)
	<b>PWCON SPARE CSC3</b>	0.14 oz (4 g)
	<b>PWCON SPARE CSC6</b>	0.21 oz (6 g)
	<b>PWCON SPARE IDC5</b>	0.14 oz (4 g)
	<b>PWCON SPARE IDC3</b>	0.07 oz (2 g)
	<b>PWCON SPARE IDC6</b>	0.14 oz (4 g)

---

## SPECIFICATIONS

---

### Government Procurement

**BAA** Buy America(n) Act: Product qualifies as a domestic end product under the Buy American Act as implemented in the FAR and DFARS. Product also qualifies as manufactured in the United States under DOT Buy America regulations.

**BABA** Build America Buy America: Product qualifies as produced in the United States under the definitions of the Build America, Buy America Act.

Please refer to [www.acuitybrands.com/buy-american](http://www.acuitybrands.com/buy-american) for additional information.

## WIRING

EIA-485 TYPE CABLES (BELDEN 9729, PROPLEX, ETC) USE COMPRESSION SCREW CONNECTORS			
XLR5 Pin	Wire Color	Function	Pathway Term CSC
Pin 1	Shield	Data Common	1 (black)
Pin 2	Pair 1 (Black)	Data - (complement)	2 (green)
Pin 3	Pair 1 (Red)	Data + (true)	3 (red)
Pin 4	n/a	Not Assigned	
Pin 5	n/a	Not Assigned	
Shell	Not Connected		Not Connected

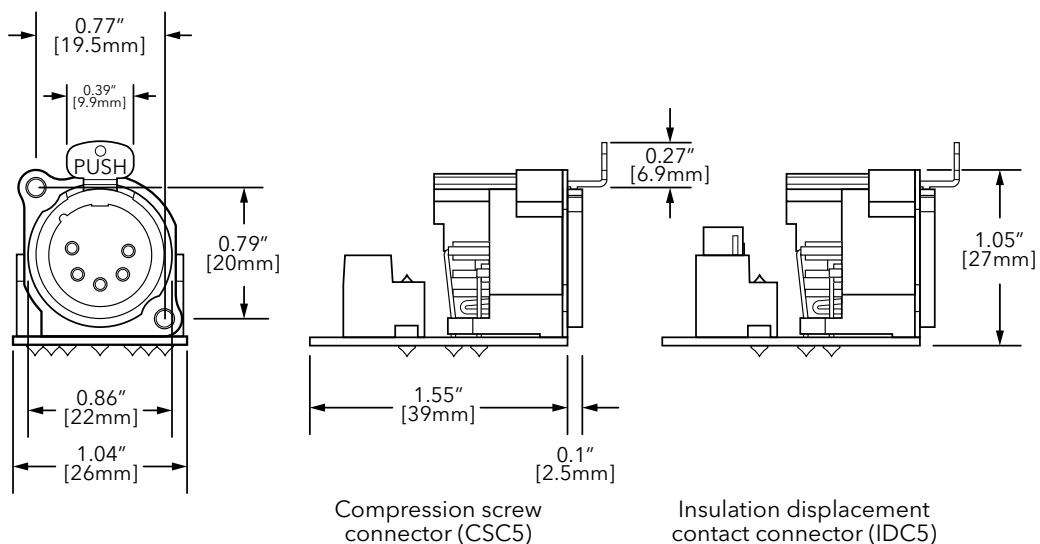
EIA-485 TYPE CABLES (BELDEN 9729, PROPLEX, ETC) USE COMPRESSION SCREW CONNECTORS				
RJ45 T-568B	Wire Color	Function	Pathway Term IDC	XLR5 Equivalent
1	White Orange	Data + (true)	3	Pin 3
2	Orange	Data - (complement)	2	Pin 2
3	White Green	Not Assigned		
4	Blue	Not Assigned		
5	White Blue	Not Assigned		
6	Green	Not Assigned		
7	White Brown	Data Common	1	Pin 1
8	Brown	Not Assigned		
Shell	Bare Silver	Not Assigned	Not Connected	Shell

## DIMENSIONS

### PWCON XLR[x]BF [CSC5/IDC5]

**Note:**

Dimensions for 4- and 3-pin versions are identical.

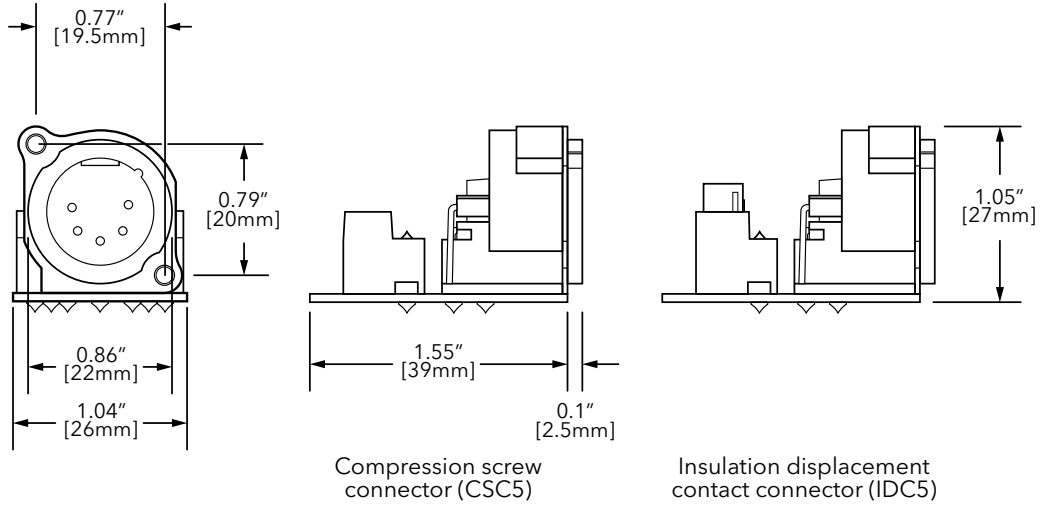


## DIMENSIONS

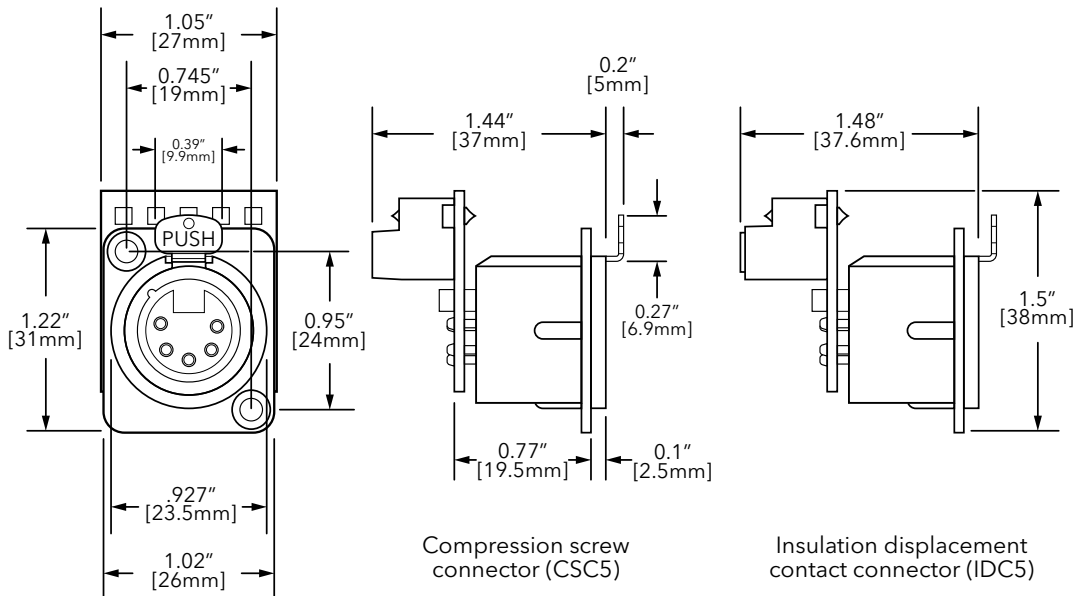
### PWCON XLR[x]BM [CSC5/IDC5]

**Note:**

Dimensions for 4- and 3-pin versions are identical.

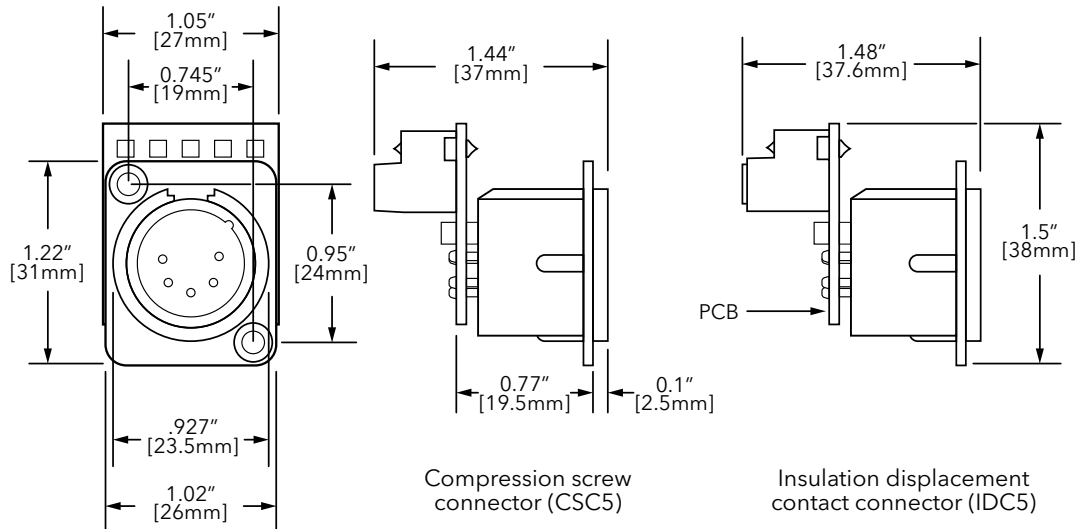


### PWCON XLR5DF [CSC5/IDC5]

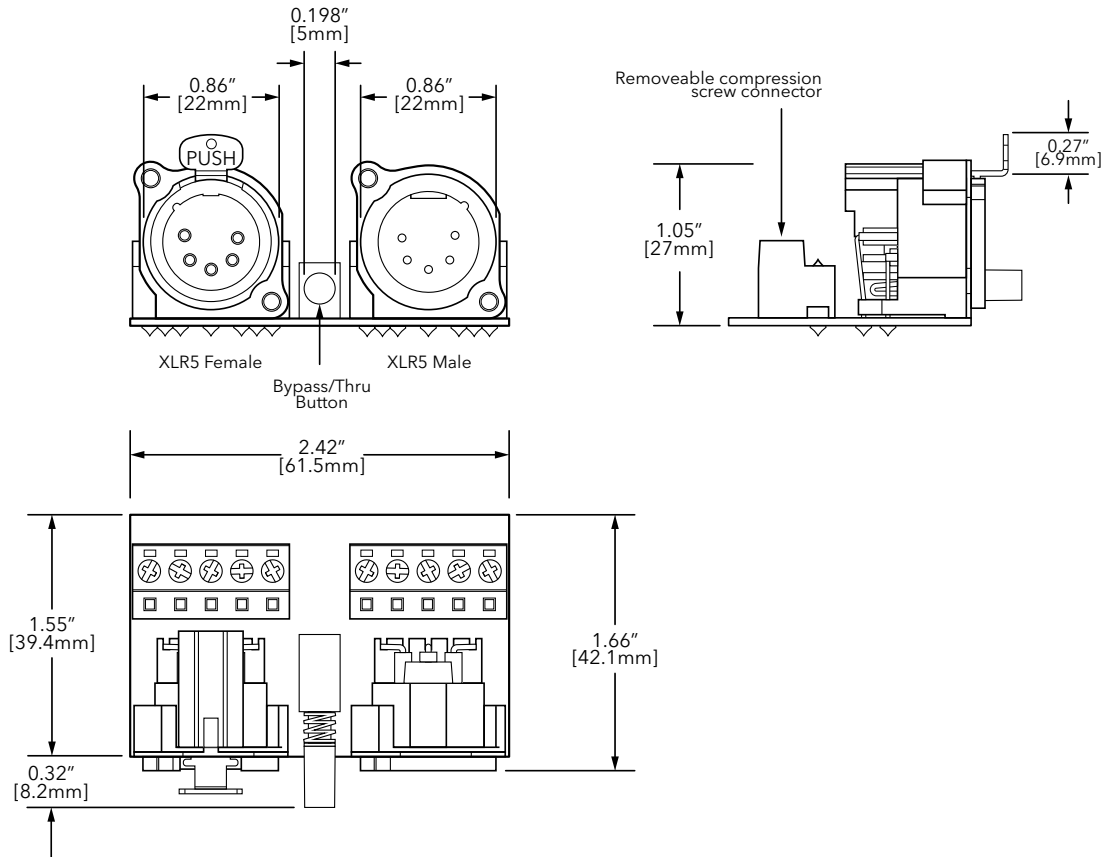


## DIMENSIONS

### PWCON XLR5DM [CSC5/IDC5]

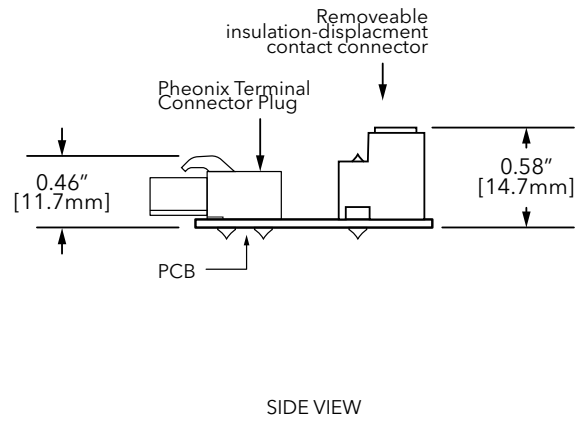
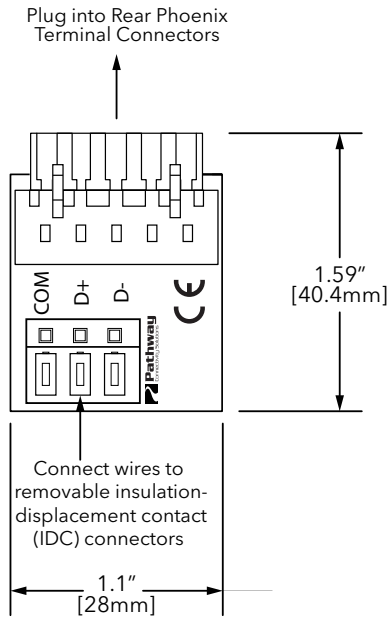


### PWCON XLR5MF CSC5



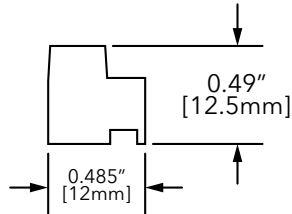
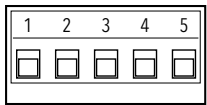
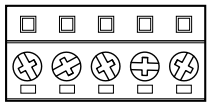
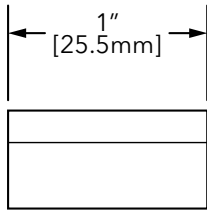
## DIMENSIONS

### PWCON PH5 IDC3

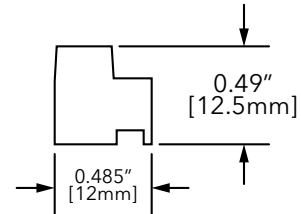
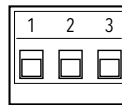
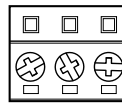
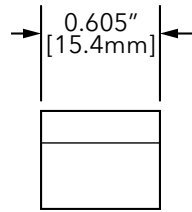


## DIMENSIONS

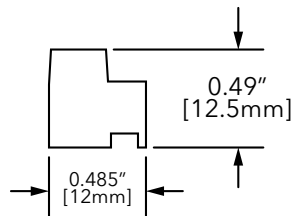
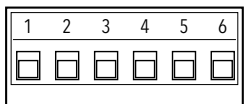
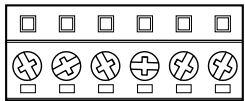
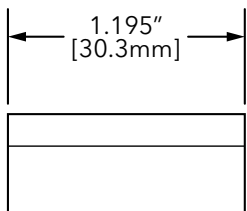
### PWCON SPARE CSC5



### PWCON SPARE CSC3



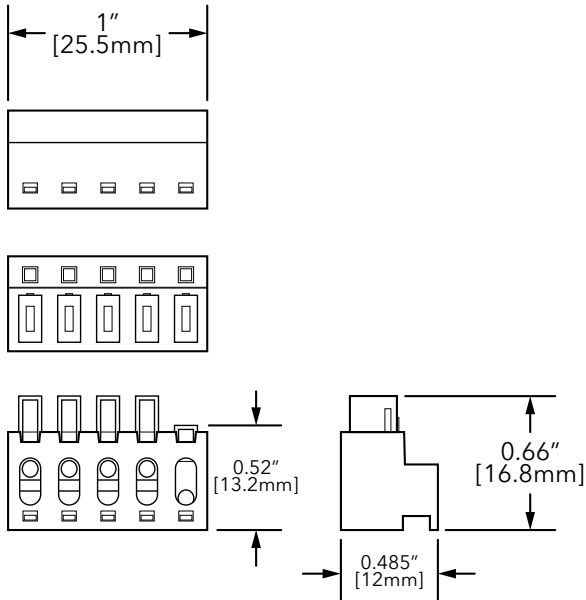
### PWCON SPARE CSC6



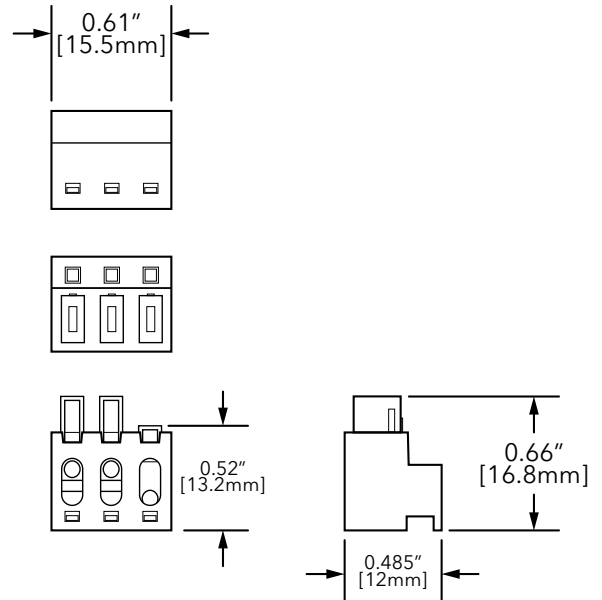


## DIMENSIONS

### PWCON SPARE IDC5



### PWCON SPARE IDC3



### PWCON SPARE IDC6

