

FEATURES & SPECIFICATIONS

INTENDED USE — Typical applications include corridors, lobbies, conference rooms and private offices.

CONSTRUCTION — Retrofit, remodel, and new construction mounting types. See table for compatible ceiling openings and thickness range.

Optional goof rings available for additional overlap trim coverage.

1/2"-1-1/2" ceiling thickness

25° ambient temperature

IC rated up to 1000lm

OPTICS — LEDs are binned to a 3-step Mac Adam Ellipse. 55° cutoff

New construction frame accessories approved for 8 (4 in/4 out) No. 12 AWG conductors rated for 90°C through wiring.

1.0 S/MH standard (wallwash reflector available)

80CRI standard (90CRI optional)

UGR — UGR is zero for fixtures aimed at nadir with a cut-off equal to or less than 60deg, per CIE 117-1996 Discomfort Glare in Interior Lighting. [UGR FAQ](#)

ELECTRICAL — Adjustable lumen output with three module options. Fixed lumen options also available. MVOLT 120/277V 50/60Hz driver (0-10V & 120V Phase Dimming to 10% or 1% min dimming level)

100LPW typical

FCC CFR Title 47 Part 15 Class A for 277V. FCC CFR Title 47 Part 15 Class B for 120V.

LUMEN MAINTENANCE — L80 at 60,000 hours

LISTINGS — Certified to US and Canadian safety standards. Title 24 compliant (90CRI, up to 1000lm) Damp location standard (Wet location, covered ceiling optional). Some configurations are ENERGY STAR® certified, please visit www.energystar.gov for specific products. TAA compliant. UFC (3-530-01) specification compliant for power factor and THD. GSA P100 6.2.4 compliant for power quality at full output; compliant up to 2000lm at fully dimmed output. Drivers are ROHS compliant

WARRANTY — 5-year limited warranty. This is the only warranty provided and no other statements in this specification sheet create any warranty of any kind. All other express and implied warranties are disclaimed. Complete warranty terms located at: www.acuitybrands.com/support/warranty/terms-and-conditions

Note: Actual performance may differ as a result of end-user environment and application.

All values are design or typical values, measured under laboratory conditions at 25 °C.

Specifications subject to change without notice.

Performance Data

LBR10 MWD		80CRI							
Lumen Output	Wattage	3000K		3500K		4000K		5000K	
		Delivered Lumens	LPW	Delivered Lumens	LPW	Delivered Lumens	LPW	Delivered Lumens	LPW
AL01 (500LM)	6	570	94	579	95	586	96	594	96
AL01 (750LM)	9	856	96	871	96	882	97	893	98
AL01 (1000LM)	13	1195	92	1215	93	1230	94	1245	95
AL02 (1000LM)	12	1281	105	1302	106	1318	107	1335	107
AL02 (1500LM)	19	1887	102	1919	103	1943	103	1967	104
AL02 (2000LM)	25	2398	97	2439	98	2469	98	2500	99
AL03 (2000LM)	25	2500	100	2543	101	2574	101	2606	102
AL03 (2500LM)	32	3027	95	3079	96	3116	97	3156	97
AL03 (3000LM)	38	3456	90	3515	91	3558	92	3603	92
AL04 (4000LM)	39	4020	104	4102	106	4184	108	4225	109
AL04 (4500LM)	44	4436	101	4527	103	4618	105	4663	106
AL04 (5000LM)	49	4825	98	4923	100	5021	102	5071	103

LBR10 WD		80CRI							
Lumen Output	Wattage	30K/80CRI		35K/80CRI		40K/80CRI		50K/80CRI	
		Delivered Lumens	LPW	Delivered Lumens	LPW	Delivered Lumens	LPW	Delivered Lumens	LPW
AL01 (500LM)	6	525	90	535	92	546	94	552	95
AL01 (750LM)	9	789	88	805	90	821	92	829	93
AL01 (1000LM)	13	1101	85	1123	86	1145	88	1157	89
AL02 (1000LM)	13	1180	94	1204	96	1228	98	1240	99
AL02 (1500LM)	19	1739	92	1774	94	1810	96	1827	97
AL02 (2000LM)	25	2210	88	2255	90	2300	92	2322	93
AL03 (2000LM)	25	2303	93	2350	94	2398	96	2421	97
AL03 (2500LM)	32	2789	88	2846	90	2903	92	2931	93
AL03 (3000LM)	38	3184	84	3249	86	3314	88	3346	89
AL04 (4000LM)	39	3700	96	3775	98	3851	99	3888	100
AL04 (4500LM)	44	4083	93	4166	95	4250	97	4291	98
AL04 (5000LM)	49	4440	90	4531	92	4621	94	4667	95

- Tested in accordance with IESNA LM-79-08. u8226
- Tested to current IES and NEMA standards under stabilized laboratory conditions.
- CRI: 80 typical

Catalog Number
Notes
Type



LBR10

10" Open and Wallwash LED
Retrofit/Remodel Downlight

Retrofit | Remodel



battery pack

Module ordering

ORDERING INFORMATION

Lead times will vary depending on options selected. Consult with your sales representative.

Example: LBR10 ALO2 SWW1 AR LSS MVD MVOLT UGZ 90CRI

Series	Lumens ‡	Color temperature ‡	Reflector Color	Reflector Flange ‡	Reflector Finish
LBR10 10" Retrofit	Adjustable Lumen Output	Switchable CCT	AR Clear	(blank) Self-flanged	LSS Semi-specular
LBR10WW 10" Retrofit Wallwash	AL01 500/750/1000lm	SWW1 3000K-3500K-4000K-5000K	BR ‡ Black painted	TRW White painted flange	
	AL02 1000/1500/2000lm	Fixed CCT	WR ‡ White painted	TRBL Black painted flange	
	AL03 2000/2500/3000lm	27K 2700K	TCPC ‡ Custom painted trim	FCPC Custom painted flange only	
	AL04 4000/4500/5000lm	30K 3000K	TRALTB ‡ RAL painted trim	FRALTB RAL painted flange only	
		35K 3500K			
		40K 4000K			
		50K 5000K			

Distribution	Voltage	Driver	Emergency ‡	Control Input ‡
MWD Medium wide (1.0 s/mh)	MVOLT 120	UGZ Universal dimming to 10% 0-10V; line voltage dimming (120V)	(blank) No Emergency Needed	(blank) No Control Input Needed
WW ‡ Wallwash	277	UGZ1 Universal dimming to 1% 0-10V; line voltage dimming (120V)	ELR Battery pack (10W constant power) Non-T20 Compliant remote test switch	JOT Wireless room control with "Just One Touch" pairing
WD Wide (1.2s/mh)	347	DALI ‡ DALI dimming to 1%	ETS Iota Emergency Transfer System	NPS80EZ nLight® network power/relay pack with 0-10V dimming
		D10 Minimum dimming 10% driver for use with JOT	E10WCP Battery pack (10W constant power) Non-T20 Compliant integral test switch	NPS80EZER nLight® network power/relay pack with 0-10V dimming; ER controls fixtures on emergency circuit.
		D1 Minimum dimming 1% driver for use with JOT	E10WCPR Battery pack (10W constant power) T20 Compliant remote test switch	NLTAIR2 nLight® Air enabled
			E10WRSTAR Emergency battery pack, 10W with remote test switch and Iota STAR technology	NLTAIRER2 nLight® AIR Dimming Pack Wireless Controls. Controls fixtures on emergency circuit
				NLTAIREM2 nLight® AIR Dimming Pack Wireless Controls. UL924 Emergency Operation, via power interrupt detection.

Options

- 90CRI High CRI (90+)
- AT ‡ Airtight
- EC1 ‡ Extended Conduit (18")
- EC6 ‡ Extended Conduit (6ft)
- WL ‡ Wet Location (IP55)
- QDS ‡ Quick disconnect plugs
- CP ‡ Chicago Plenum

NOTE: ‡ indicates option value has ordering restrictions. Please reference the Option Value Ordering Restrictions chart on the next page.

‡ Option Value Ordering Restrictions

Options	Restriction
LUMENS	Adjustable Lumen Output and Switchable CCT must be specified together (for example: AL01 SWW1).
LUMENS	Fixed Lumen Output and Fixed CCT must be specified together (for example: 10LM 30K).
AT	Standard for CP and IP55, not available with WW.
E10WCPR	Not available EC1, EC6, QDS, CP, 347V, NPP16D ER, NLTAIRER2, NLTAIREM2, AL03 (2000-3000L) DALI OR JOT.
E10WCP	Not available with EC1, EC6, AT, QDS, CP, 347V, NPP16D ER, NLTAIRER2, NLTAIREM2, AL03 (2000-3000L) DALI, JOT, or WL.
E10WRSTAR	Not available with wet location, EC1, EC6, QDS, CP, 347V, NPS80EZ ER, NLTAIRER2, NLTAIREM2, AL03 & AL04 w/DALI, OR 2000-4500 lumens w/JOT. Top access installation or 17.5" plenum clearance required for roomside installation. Not available with integral test switch
ELR	Not available EC1, EC6, QDS, CP, 347V, NPP16D ER, NLTAIRER2, NLTAIREM2, AL03 (2000-3000L) DALI OR JOT.
EC6	Not available with CP, QDS, ELR, or E10WCPR.
WL	Not available with WW. All CP is wet locations, except WW (Damp). IP55 rated.
QDS	Not available CP, ELR, E10WCPR, or 347V.
EC1	Not available with CP, QDS, ELR, or E10WCPR.
JOT	Not available with CP, NPP16D, NPP16D ER, NLTAIR2, NLTAIRER2, NLTAIREM2, UGZ, or DALI drivers. Max 4500 lumens. Fixed lumens and CCT only.
NPS80EZ	Not available with CP, QDS, DALI, D1, OR D10 drivers. 120V OR 277V only. Not available with 347V.
NPS80EZER	Not available with CP, QDS, ELR, E10WCPR, DALI, D1, OR D10 drivers. 120V OR 277V only. Not available with 347V.
NLTAIR2	Not available with CP, QDS, DALI, D1, OR D10 drivers.
NLTAIRER2	Not available with CP, QDS, ELR, E10WCPR, DALI, D1, OR D10 drivers. Not available with 347V.
NLTAIREM2	Not available with CP, QDS, ELR, E10WCPR, DALI, D1, OR D10 drivers.
CP	Not available with, QDS, EC1, EC6, ELR, E10WCPR, 347V, JOT, NPP16D, NPP16D ER, NLTAIR2, NLTAIRER2, NLTAIREM2, D1, OR D10 drivers. Not available with square trim.
ETS	Not available with, QDS, ELR, E10WCPR, 347V, JOT, NPP16D, NPP16D ER, NLTAIR2, NLTAIRER2, NLTAIREM2, DALI, D1, OR D10 driver.
DALI	Not available with fixed lumens or CCT. Max 4500 lumens.
WW	Not available with WL, EL and E10WCP. Must be ordered with LBR10WW series.
TRW, TRBL	Available with clear (AR) reflector only.
TRALTB, FRALTB	RALTB for pricing only. Replace with applicable RAL number and finish when ready to order. See the RAL BROCHURE for available color options.
TCPC, FCPC	CPC options for pricing only. Custom color chip needs to be sent in to your Customer Resolution specialist before order can be processed. Click HERE for more details

LBR10

Accessories: Order as separate catalog number. Shipped separately.	
LBR46810HB FPAN U	Mounting plate 4"-10" unit pack
LBR46810HB FPAN J10	Mounting plate 4"-10" 10-pack
LBR SDT 347V 75W ASM	Field installed 347V Step-down transformer
LBR10AR LSS TRIM	10" clear, semi-specular reflector
LBR10** TRIM	10" reflector (** specify WR, BR)
LBR10AR LSS WW TRIM	10" clear, semi-specular wallwash
LBR10** WW TRIM	10" wallwash (** specify WR, BR)

Emergency Battery Pack Options - Field Installable

Battery Model Number	Wattage	Runtime (Minutes)	Lumen Output* @ 120 Lumens/Watt	Other
ILB CP07 2H A	7W	120	840	Storm Shelter / 2 Hour Runtime
ILB CP10 A	10W	90	1200	
ILBLP CP10 HE SD A+	10W	90	1200	Title 20, Self Diagnostic
ILBLP CP15 HE SD A+	15W	90	1800	Title 20, Self Diagnostic
ILB CP20 HE A	20W	90	2400	Title 20
ILB CP20 HE SD A	20W	90	2400	Title 20, Self Diagnostic
ILBHI CP10 HE SD A+	10W	90	1200	347-480V AC Input, Title 20, Self Diagnostic
ILBHI CP15 HE SD A+	15W	90	1800	347-480V AC Input, Title 20, Self Diagnostic

All the above are UL Listed products that are certified for field install external/remote to the fixture.

*Minimum delivered lumen output to assist in product selection for increased fixture mounting height.

The CP10 delivered emergency illumination outperforms legacy 1400 lumen fluorescent emergency ballast.

Please contact us at techsupport@iotaengineering.com for any Emergency Battery related questions.

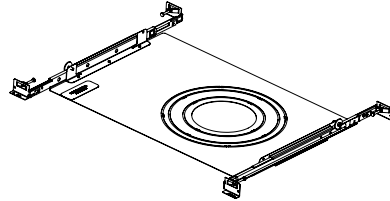
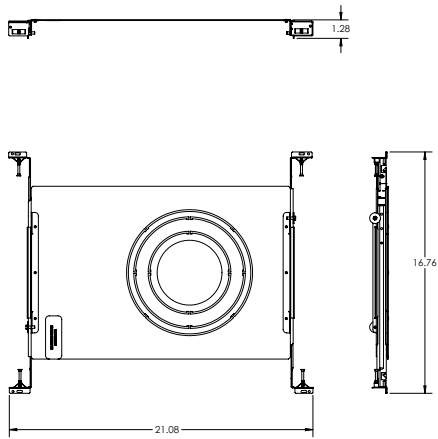
LBR10

PLENUM DEPTH TABLE				
Aperture Size/Output	Fixture Height*	IC	NON-IC	NON-IC MARKED SPACINGS
LBR10 500-1000 LM	6.44	X		
LBR10 1000-2000 LM	6.44		X	
LBR10 2000-3000 LM	6.44		X	24 x 24 x 9
LBR10 4000-5000 LM	6.44		X	24 x 24 x 9

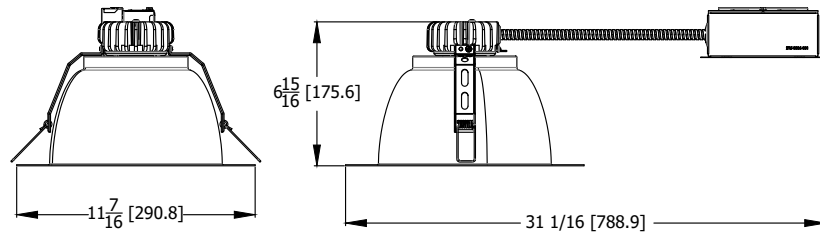
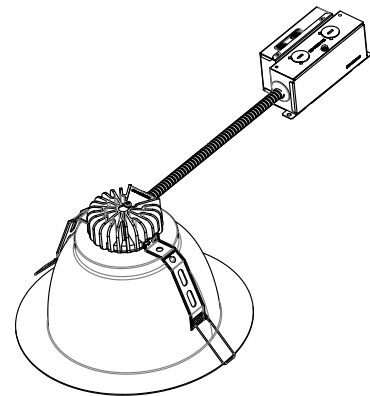
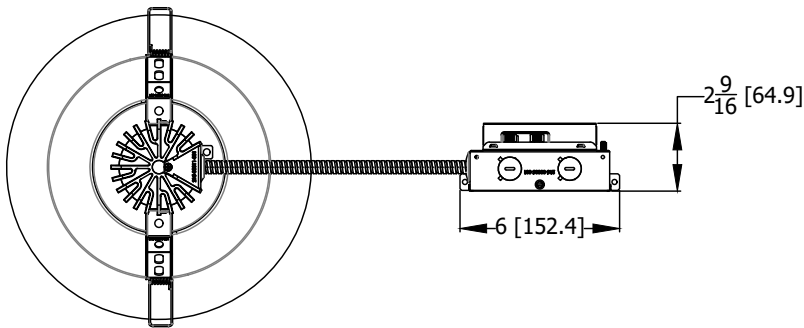
CEILING COVERAGE TABLE						
Series		Aperture	Trim Flange OD	Min ceiling opening	Ceiling Thickness	Max ceiling opening
LBR10	ROUND	8-1/4"	11-7/16"	8-3/4"	1/2"	10-1/4"
LBR10WW					1-1/2"	

*Above unfinished 1/2" ceiling plane

* All dimensions are inches (millimeters) unless otherwise noted.



LBR10 ALOx SWW1 xx xxx MVOLT UGZ



LBR10

PHOTOMETRY

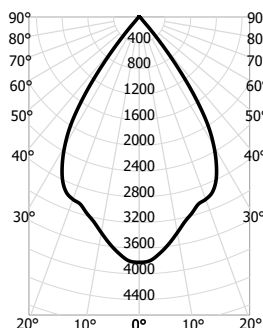
Distribution Curve

Distribution Data

Output Data

Illuminance Data at 30" Above Floor for a Single Luminaire

LBR10 ALO3 (3000LM) SWW1 (3500K) AR LSS MWD 80CRI Input Watts: 38.5, Delivered Lumens: 3514, LPW: 91.3, S/MH: 0.96, Test No: 21-349-7P67



CP Summary

Beam Angle	Lumens
0°	3822
5°	3692
15°	3163
25°	2821
35°	1487
45°	75
55°	17
65°	5
75°	2
85°	1
90°	0

Zonal Lumen Summary

Zone	Lumens	% Fixture
0° - 30°	2508	71%
0° - 40°	3386	96%
0° - 60°	3505	100%
0° - 90°	3514	100%
90° - 180°	0	0%
0° - 180°	3514	100%

Cone of Light

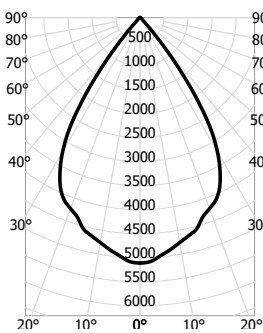
Mounting Height	Initial FC Center Beam	Beam Diameter
6.0 ft	106.2 fc	7.7 ft
8.0 ft	59.7 fc	10.3 ft
10.0 ft	38.2 fc	12.9 ft
12.0 ft	26.5 fc	15.5 ft
14.0 ft	19.5 fc	18.1 ft

Luminance (cd/sq.m)

Beam Angle	Average Luminance
0°	110015
45°	3061
55°	861
65°	372
75°	272
85°	187

Beam Angle: 65.7°
Field Angle: 81.1°

LBR10 ALO4 (5000LM) SWW1 (3500K) AR LSS 80CRI Input Watts: 49.3, Delivered Lumens: 4923, LPW: 99.9, S/MH: 0.96, Test No: 21-350-19P55



CP Summary

Beam Angle	Lumens
0°	5111
5°	4974
15°	4554
25°	3917
35°	2049
45°	111
55°	23
65°	8
75°	3
85°	1
90°	0

Zonal Lumen Summary

Zone	Lumens	% Fixture
0° - 30°	3506	71%
0° - 40°	4730	96%
0° - 60°	4911	100%
0° - 90°	4923	100%
90° - 180°	0	0%
0° - 180°	4923	100%

Cone of Light

Mounting Height	Initial FC Center Beam	Beam Diameter
6.0 ft	142.0 fc	7.8 ft
8.0 ft	79.9 fc	10.4 ft
10.0 ft	51.1 fc	13.0 ft
12.0 ft	35.5 fc	15.7 ft
14.0 ft	26.1 fc	18.3 ft

Luminance (cd/sq.m)

Beam Angle	Average Luminance
0°	147138
45°	4534
55°	1144
65°	523
75°	374
85°	277

Beam Angle: 66.3°
Field Angle: 82.1°

LUMEN OUTPUT MULTIPLIERS - CCT

3000K	3500K	4000K	5000K
0.98	1.0	1.01	1.03

LUMEN OUTPUT MULTIPLIERS - FINISH

Specular (LS)	1.00
White (WR)	1.03
Black (BR)	0.60

HOW TO ESTIMATE DELIVERED LUMENS IN EMERGENCY MODE

Use the formula below to estimate the delivered lumens in emergency mode

$$\text{Delivered Lumens} = 1.25 \times P \times \text{LPW}$$

P = Output power of emergency driver. P = 10W for PS1055CP

LPW = Lumen per watt rating of the luminaire. This information is available on the ABL luminaire spec sheet.

The LPW rating is also available at Designlight Consortium.

DIMMER COMPATIBILITY

Not compatible with DALI or DMX dimmers. For specific compatible dimmers see below.

LINE VOLTAGE DIMMING:					
Type	Forward Phase	S (500-1000lm)	M (1000-2000lm)	L (2000-3000lm)	Comment
MLV	Lutron Glyder GLV-600	YES	YES	YES	
INC	Leviton SureSlide 6633	YES	YES	YES	
MLV	Lutron Diva DVLV-600P	YES	YES	YES	
MLV	Lutron Skylark SLV-600P	YES	YES	YES	
INC	Lutron RadioRA 2 10ND	YES	YES	YES	
MLV	Leviton SureSlide 6613-PLW	YES	YES	YES	
INC	Lutron Diva DVCL-153P	YES	YES	YES	
MLV	Leviton IPM06	YES, 2x *	YES	YES	* min 2 fixtures
INC	Leviton IPI06	YES, 2x *	YES	YES	* min 2 fixtures
MLV	Synergy ISD 600LV	YES, 2x *	YES	YES	* min 2 fixtures
INC	Synergy ISD 600 I	YES, 2x *	YES	YES	* min 2 fixtures
INC	Control4 C4-FPD 120	YES	YES	YES	
Type	Reverse Phase Dimmer Bank	S (500-1000lm)	M (1000-2000lm)	L (2000-3000lm)	
ELV	Lutron Nova T NTELV-600	YES	YES	YES	
ELV	Lutron Diva DVELV 600P	YES	YES	YES	
ELV	Lutron Maestro MAELV 600	YES	YES	YES	
ELV	Leviton Vizia VPE06-1LX	YES	YES	YES	
ELV	Leviton Illumatech IPE04	YES	YES	YES	
ELV	Control4 C4-APD 120 REVERSE PHASE	YES	YES	YES	
Type	Miscellaneous Dimmers	S (500-1000lm)	M (1000-2000lm)	L (2000-3000lm)	
PHA	Lutron RadioRA2 RRD-6NA	YES	YES	YES	
PHA	Lutron Maestro PRO LED+ RRD-PRO	YES	YES	YES	
Type	Control Systems	S (500-1000lm)	M (1000-2000lm)	L (2000-3000lm)	
MLV	Lutron LP-RPM-4U	YES	YES	YES	
PHA	Lutron LP-RPM-4A	YES	YES	YES	
MLV	Lutron GRAPHIC EYE QSGRJ-3P	YES	YES	YES	
PHA	Lutron PA Power Module PHPM-PA-120	YES	YES	YES	
ELV	Lutron nLight nSP5PCD ELV	YES	YES	YES	

DIMMER COMPATIBILITY

Not compatible with DALI or DMX dimmers. For specific compatible dimmers see below.

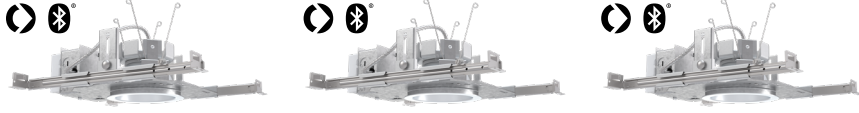
0-10V DIMMING:						
Manufacturer	System Type	Description	P/N	S (500-1000lm)	M (1000-2000lm)	L (2000-3000lm)
Lutron	Other	0-10V (sink or source) PowPak wireless dimming module	RMJ-5T-DV-B	YES	YES	YES
Wattstopper	Control System	Digital single relay room controller (0-10V)	LMRC-211	YES	YES	YES
Crestron	Control System	DIN Rail 0-10V fluorescent dimmer, 4 feeds, 4 channels (Green Light System)	DIN-4DIMFLV4	YES	YES	YES
Lutron	Other	Grafik Eye 0-10V adapter	GRX-TVI	YES	YES	YES
Leviton	Wall Box	Illumatech 0-10V	IP710-DLX	YES	YES	YES
Lutron	Control System	Mounted in the Homeworks QS panel - 0-10V dimmer (sink or source)	GRX-TVM2	YES	YES	YES
Lutron	Wall Box	Nova 0-10V wallbox dimmer (use with PP-120-H line voltage relay)	NTFTV	YES	YES	YES
Lutron	Wall Box	Nova 0-10V wallbox dimmer (use with PP-120-H line voltage relay)	NTSTV-DV	YES	YES	YES
Lutron	Wall Box	Nova T	NFTV	YES	YES	YES
Leviton	Wall Box	Renior II 0-10V	AWSMG-7DW	YES	YES	YES
ACUITY	Wall Box	sensorswitch, wall switch sensor, occupancy controlled dimming	WSX D WH	YES	YES	YES
ACUITY	Control System	nLight	nPP16D	YES	YES	YES
ACUITY	Control System	nLight	nPS 80 EZ	YES	YES	YES
ACUITY	Control System	nLight Air	rPP20 D	YES	YES	YES

ADDITIONAL DATA



The Sensor Switch JOT enabled solution offers a wireless, app-free approach to single room lighting control. JOT enabled products use Bluetooth® Low Energy (BLE) technology to enable wireless dimming and switching.

Diagram



LBR10 Series



Sensor Switch
WSXA JOT

1. **Power:** Install JOT enabled fixtures and controls as instructed.
2. **Pair:** Insert the pairing tool into the pinhole on the wall switch; press and hold any button for 6 seconds.
3. **Play:** Once paired, each fixture will individually dim down to 10% brightness. All products will be fully functional.

COMPATIBLE 0-10V WALL-MOUNT DIMMERS

MANUFACTURER	PART NO.	POWER BOOSTER AVAILABLE
Lutron®	Diva® DDTV	
	Diva® DVSCTV	
	Nova T® NTFTV	
	Nova® NFTV	
Leviton®	AWSMT-7DW	CN100
	AWSMG-7DW	PE300
	AMRMG-7DW	
	Leviton Centura Fluorescent Control System	
	IllumaTech® IP7 Series	
Synergy®	ISD BC	RDMFC
	SLD LPCS	
	Digital Equinox (DEQ BC)	
Douglas Lighting Controls	WPC-5721	
Entertainment Technology	Tap Glide TG600FAM120 (120V)	
	Tap Glide Heatsink TGH1500FAM120 (120V)	
	Oasis OA2000FAMU	
Honeywell	EL7315A1019	EL7305A1010 (optional)
	EL7315A1009	
HUNT Dimming	Preset slide: PS-010-IV and PS-010-WH	
	Preset slide: PS-010-3W-IV and PS-010-3W-WH	
	Preset slide, controls FD-010: PS-IFC-010-IV and PS-IFC-010-WH-120/277V	
	Preset slide, controls FD-010: PS-IFC-010-3W-IV and PS-IFC-010-3W-WH-120/277V	
	Remote mounted unit: FD-010	
Lehigh Electronic Products	Solitaire	PBX
PDM Electrical Products	WPC-5721	
Starfield Controls	TR61 with DALI interface port	RT03 DALInet Router
WattStopper®	LS-4 used with LCD-101 and LCD-103	

LBR10

EXAMPLE

Group Fixture Control*

*Application diagram applies for fixtures with eldoLED drivers only.

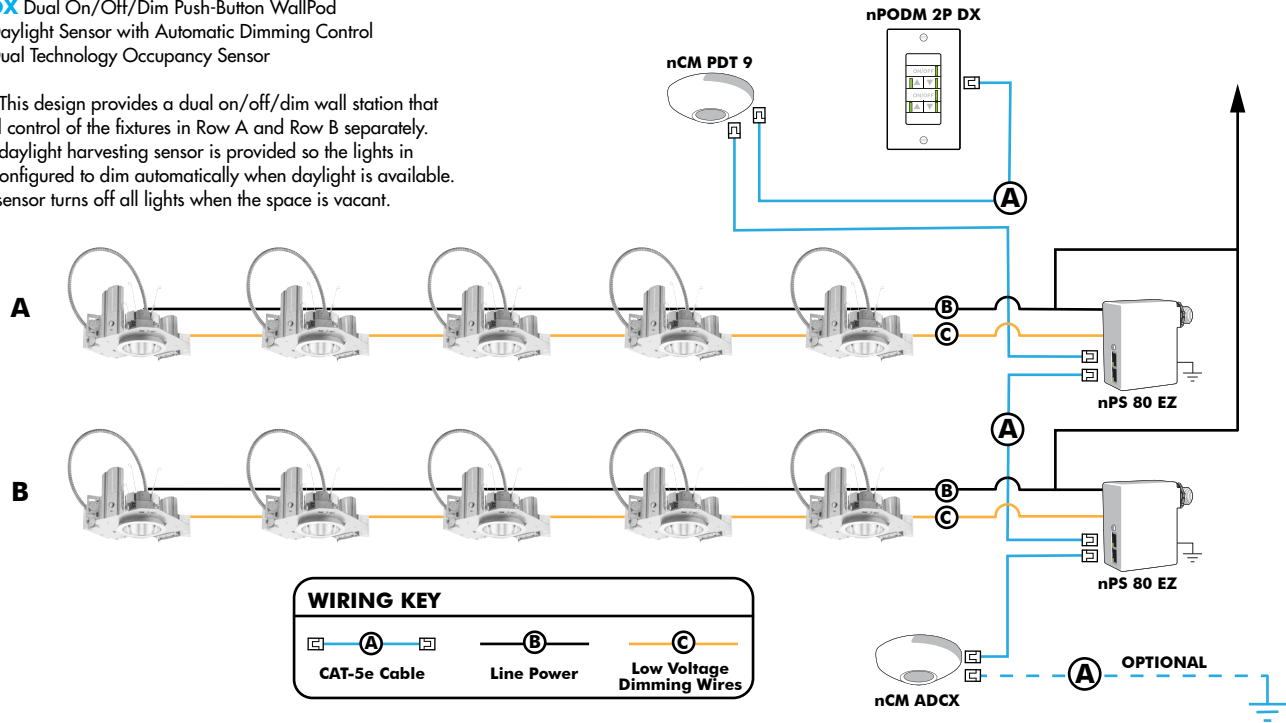
nPS 80 EZ Dimming/Control Pack (qty: 2 required)

nPODM 2P DX Dual On/Off/Dim Push-Button WallPod

nCM ADCX Daylight Sensor with Automatic Dimming Control

nCM PDT 9 Dual Technology Occupancy Sensor

Description: This design provides a dual on/off/dim wall station that enables manual control of the fixtures in Row A and Row B separately. Additionally, a daylight harvesting sensor is provided so the lights in Row B can be configured to dim automatically when daylight is available. An occupancy sensor turns off all lights when the space is vacant.



Choose Wall Controls

nLight offers multiple styles of wall controls - each with varying features and user experience.



Push-Button Wallpod
Traditional tactile buttons and LED user feedback



Graphic Wallpod
Full color touch screen provides a sophisticated look and feel

nLight® Wired Controls Accessories:

Order as separate catalog number. Visit www.acuitybrands.com/products/controls/nlight for complete listing of nLight controls.

WallPod Stations	Model number	Occupancy sensors	Model Number
On/Off	nPODM (Color)	Small motion 360°, ceiling (PIR/dual Tech)	nCM 9 / nCM PDT 9
On/Off & Raise/Lower	nPOD DX (Color)	Large motion 360°, ceiling (PIR/dual tech)	nCM 10 / nCM PDT 10
Graphic Touchscreen	nPOD GFX (Color)	Wide View (PIR/dual tech)	nWV 16 / nWV PDT 16
Photocell controls	Model Number	Wall Switch w/ Raise/Lower (PIR/dual tech)	nWSX LV DX / nWSX PDT LV DX
Dimming	nCM ADCX	Cat-5 cables (plenum rated)	Model Number
		10', CAT5 10FT	CATS 10FT J1
		15', CAT5 15FT	CATS 15FT J1

LBR10

nLight® AIR Control Accessories:

Order as separate catalog number. Visit www.acuitybrands.com/products/controls/nlightair.

Wall switches	Model number
On/Off single pole	rPODB [color]
On/Off two pole	rPODB 2P [color]
On/Off & raise/lower single pole	rPODB DX [color]
On/Off & raise/lower two pole	rPODB 2P DX [color]
On/Off & raise/lower single pole	rPODBZ DX WH ¹

Notes

¹ Can only be ordered with the RES7Z zone control sensor version.

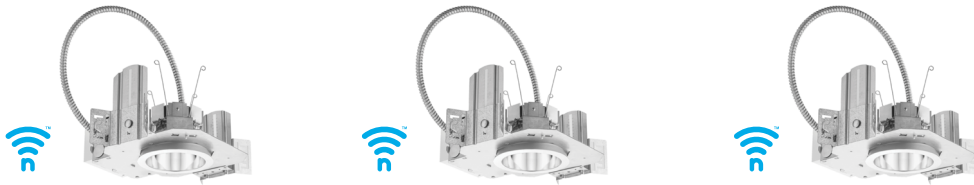
UL924 Sequence of Operation

The below information applies to all nLight AIR devices with an EM option.

- EM devices will remain at their high-end trim and ignore wireless lighting control commands, unless a normal-power-sensed (NPS) broadcast is received at least every 8 seconds.
- Using the CLAIRITY+ mobile app, EM devices must be associated with a group that includes a normal power sensing device to receive NPS broadcasts.
- Only non-emergency rPP20, rLSXR, rSBOR, rSDGR, and nLight AIR luminaires with version 3.4 or later firmware can provide normal power sensing for EM devices. See specification sheets for control devices and luminaires for more information on options that support normal power sensing.

nLight AIR

nLight AIR is the ideal solution for retrofit or new construction spaces where adding communication is cost prohibitive. The integrated nLight AIR rPP20 Power Pack is part of each Lithonia LDN Luminaire. These individually addressable controls offer the ultimate in flexibility during initial setup and for space repurposing.



Simple as 1,2,3

1. Install the nLight® AIR fixtures with embedded smart sensor
2. Install the wireless battery-powered wall switch
3. With CLAIRITY app, pair the fixtures with the wall switch and if desired, customize the sensor settings for the desired outcome

