

# Motion Activated LED Security Floodlight

## Proyector de seguridad led con detección de movimiento

### PROJECTEUR DE SÉCURITÉ À DEL AVEC DÉTECTEUR DE MOUVEMENT



Model Number(s)/ Número de modelo / Numéro des modèle

## HGX LED 2RH 40K 120 MO

SPECIFICATIONS	
Light output	2,750 Lumens
Power requirement	120VAC, 60Hz
Electrical Load	25 Watts
Motion Detection Angle	Up to 200 degree
Motion Detection Range	Up to 70ft. (21m) at 18°C /65F
Motion Detection Mode	Test, 1 or 5 minute(s) on-time after motion is detected, Manual with switch
Motion	adjustable sensitivity
Light Color	Cool, 4000K
Operating Temperature	+/- 40°C

ESPECIFICACIONES	
Salida de luz	2,750 Lumens
Requisitos de energía	120VAC, 60Hz
Carga eléctrica	25 Watts
Ángulo de detección de movimiento	hasta 200 grados
Rango de detección de movimiento	hasta 70 ft (21 m) a 18°C /65F
Modo de detección de movimiento	Test/ prueba, encendido durante 1 o 5 minutos a partir de la detección del movimiento, manual con interruptor
Movimiento	sensibilidad ajustable
Color de luz	frío, 4000K
Temperatura de funcionamiento	+/- 40°C

ESPECIFICACIONES	
Salida de luz	2,750 Lumens
Requisitos de energía	120VAC, 60Hz
Carga eléctrica	25 Watts
Ángulo de detección de movimiento	hasta 200 grados
Rango de detección de movimiento	hasta 70 ft (21 m) a 18°C /65F
Modo de detección de movimiento	Test/ prueba, encendido durante 1 o 5 minutos a partir de la detección del movimiento, manual con interruptor
Movimiento	sensibilidad ajustable
Color de luz	frío, 4000K
Temperatura de funcionamiento	+/- 40°C

**Protect yourself.** Before installing, read the entire instructions carefully and save them for future reference.

**Date installed:** \_\_\_\_\_  
Failure to follow any of these instructions could void product warranties. For a complete list of product Terms and Conditions, visit [www.acuitybrands.com](http://www.acuitybrands.com). Acuity Brands Lighting, Inc. assumes no responsibilities for claims arising out of improper or careless installation or handling of its products.

**Protéjase.** Antes de instalar, lea estas instrucciones cuidadosamente y guárdelas para futura referencia.

**Fecha Instalada:** \_\_\_\_\_  
El incumplimiento de alguna de estas instrucciones puede anular la garantía del producto. Para obtener la lista completa de los términos y las condiciones respecto al producto, visite [www.acuitybrands.com](http://www.acuitybrands.com). Acuity Brands Lighting, Inc. no se hace responsable por los reclamos que puedan surgir de la instalación o manipulación inadecuada o negligente de sus productos.

**Pour votre propre protection.** Avant de procéder à l'installation, veuillez lire attentivement ces directives et les conserver pour référence ultérieure.

**Date de l'installation:** \_\_\_\_\_  
Tout manquement au respect de ces instructions pourrait rendre nulles les garanties. Pour une liste complète des conditions générales du produit, veuillez vous rendre sur [www.acuitybrands.com](http://www.acuitybrands.com). Acuity Brands Lighting, Inc. n'assume aucune responsabilité pour les réclamations découlant d'une installation ou d'une manipulation incorrectes ou négligentes de ses produits.

**READ AND FOLLOW THESE SAFETY INSTRUCTIONS!**

- To reduce the risk of death, personal injury or property damage from fire, electric shock, falling parts, cuts/abrasions, and other hazards please read all warnings and instructions included with and on the fixture box and all fixture labels.
- Before installing, servicing, or performing routine maintenance upon this equipment, follow these general precautions.
- Commercial installation, service and maintenance of luminaires should be performed by a qualified licensed electrician.
- For Residential installation: If you are unsure about the installation or maintenance of the luminaires, consult a qualified licensed electrician and check your local electrical code.
- Maintenance of the luminaires should be performed by person(s) familiar with the luminaires' construction and operation and any hazards involved. Regular fixture maintenance programs are recommended.
- This fixture is intended to be connected to a properly installed and grounded UL listed junction box.
- It will occasionally be necessary to clean the outside of the refractor/lens. Refractor/lens should be washed in a solution of warm water and any mild, non-abrasive household detergent, rinsed with clean water and wiped dry. Should optical assembly become dirty on the inside, wipe refractor/lens and clean in above manner, replacing damaged gaskets as necessary.
- DO NOT INSTALL DAMAGED PRODUCT! This luminaire has been properly packed so that no parts should have been damaged during transit. Inspect to confirm. Any part damaged or broken during or after assembly should be replaced.
- Recycle: For information on how to recycle LED electronic products, please visit [www.epa.gov](http://www.epa.gov).
- These instructions do not purport to cover all details or variations in equipment nor to provide every possible contingency to meet in connection with installation, operation, or maintenance. Should further information be desired or should particular problems arise which are not covered sufficiently for the purchaser's or owner's purposes, this matter should be referred to Acuity Brands Lighting, Inc.

 **WARNING  
RISK OF ELECTRIC SHOCK**

- ▶ Disconnect or turn off power before installation or servicing.
- ▶ Verify that supply voltage is correct by comparing it with the luminaire label information.
- ▶ Make all electrical and grounded connections in accordance with the National Electrical Code (NEC) and any applicable local code requirements.
- ▶ All wiring connections should be capped with UL approved wire connectors.

 **CAUTION  
RISK OF INJURY**

- ▶ Wear gloves and safety glasses at all times when removing luminaire from carton, installing, servicing or performing maintenance.
- ▶ Avoid direct eye exposure to the light source while it is on.

 **WARNING  
RISK OF BURN**

- ▶ Allow lamp/fixture to cool before handling. Do not touch enclosure, lens or light source.
- ▶ Do not exceed maximum wattage marked on luminaire label.
- ▶ Follow all manufacturer's warnings, recommendations and restrictions including but not limited to: driver type, burning position, mounting locations/methods, replacement and recycling.
- ▶ Use only lamps that comply with ANSI standards.

 **CAUTION  
RISK OF FIRE**

- ▶ Keep combustible and other materials that can burn, away from lamp/lens.
- ▶ Do not operate in close proximity to persons, combustible materials or substances affected by heat.

 **CAUTION  
RISK OF PRODUCT DAMAGE**

- ▶ Never connect components under load.
- ▶ Do not mount or support these fixtures in a manner that can cut the outer jacket or damage wire insulation.
- ▶ Unless individual product specifications deem otherwise: Never connect an LED product directly to a dimmer packs, occupancy sensor, timing device, or other related control devices. LED fixtures must be powered directly off a switched circuit.
- ▶ Unless individual product specifications deem otherwise: Do not restrict fixture ventilation. Allow for some volume of airspace around the fixture. Avoid covering LED fixtures with insulation, foam, or other material that will prevent convection or cooling.
- ▶ Unless individual product specifications deem otherwise: Do not exceed fixtures maximum ambient temperature.
- ▶ Only use fixture in its intended location.
- ▶ LED products are Polarity Sensitive. Ensure proper Polarity before installation.
- ▶ Electrostatic Discharge (ESD): ESD can damage LED fixtures. Personal grounding equipment must be worn during all installation or servicing of unit.
- ▶ Do not touch individual electrical components as this can cause ESD, shorten lamp life, or alter performance.
- ▶ Some components inside the fixture may not be serviceable. In the unlikely event your unit may require service, stop using the unit immediately and contact an ABL representative for assistance.
- ▶ Changes or modifications not expressly approved by Acuity Brands Lighting could void the authority to operate the equipment.
- ▶ Always read the fixtures complete installation instructions prior to installation for any additional fixture specific warnings.

This equipment has been tested and found to comply with the limits for a class B digital device, pursuant to part 15 of the FCC Rules. These limits are designed to provide reasonable protection against harmful interference when used in a residential installation. This equipment generates, uses and can radiate radio frequency energy and, if not installed and used in accordance with the instructions may cause harmful interference to radio communications. However, there is no guarantee that interference will not occur in a particular installation. If this equipment does cause harmful interference to radio or television reception, which can be determined by turning the equipment off and on, the user is encouraged to try to correct the interference by one or more of the following measures:

- Reorient or relocate the receiving antenna.
- Increase the separation between the equipment and receiver.
- Connect the equipment into an outlet on a circuit different from that to which the receiver is connected.
- Consult the dealer or an experienced radio/TV technician for help.

**5-YEAR LIMITED WARRANTY**

Register your warranty on [www.lightahome.com/warranty](http://www.lightahome.com/warranty). Your prompt product registration confirms your right to the protection available under the terms and conditions of your Lithonia Lighting warranty.

Failure to follow any of these instructions could void product warranties. For a complete listing of product Terms and Conditions, please visit [www.acuitybrands.com](http://www.acuitybrands.com). Acuity Brands Lighting, Inc. assumes no responsibilities for claims arising out of improper or careless installation or handling of its products.

**PREPARE FOR INSTALLATION**

Remove fixture components and parts pack. Check to ensure all parts are included. **Note:** Account for small parts and destroy packing material, as these may be hazardous to children.

**FIXTURE PACKING LIST**

Part Description	Quantity
A Light Fixture.....	1
B Lamp Head.....	2
C Motion Sensor .....	1
D Mounting bracket (pre-installed) .....	1
E 1-1/4" #8 Center Mounting Screw (pre-installed) .....	1
F 3/4" #8 & #6 & #10 Mounting Screws* .....	6
G Wire Nuts*.....	3
H Rubber Plug*.....	1

\*Contained in parts packs

**Mounting Hardware Included**  
**Silicone Sealant Required**

**REQUIRED TOOLS**



**SELECT MOUNTING LOCATION**

For installation to properly installed and grounded UL listed round recessed or surface mounted weatherproof junction box.

**Note:** Suitable for eave mount and wall mount above 4ft (1.2m)  
Not suitable for ground mount installation

Do **NOT** use with dimmers or timers or on multiple switch circuits. If dimmer control or three-way dimmer is present contact a qualified electrician to remove them and replace with regular electrical switch.

Do **NOT** install on the same circuit with an electric motor (i.e. appliances, HVAC equipment, washer/dryer, garage door opener, etc.

Do **NOT** install near objects that change temperature rapidly, such as heating vents and air conditioners. These heat sources could cause false triggering.

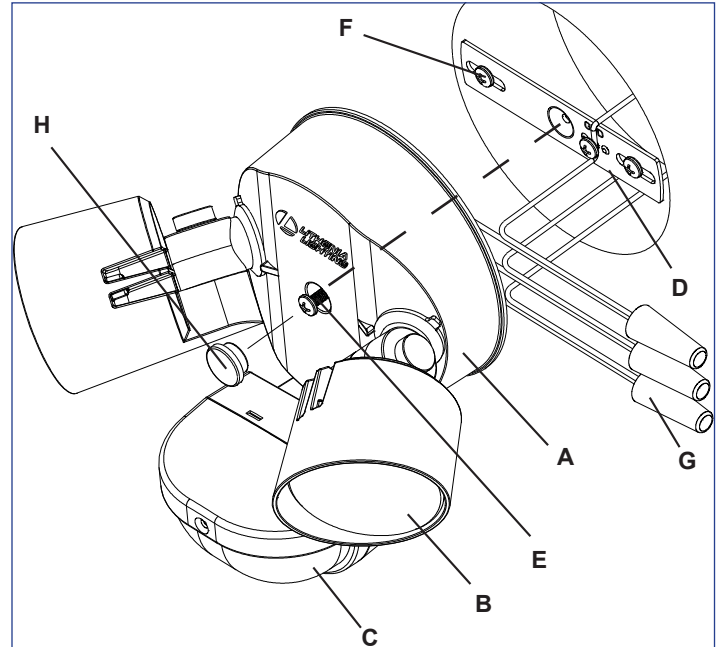
Do **NOT** install Nearby large, light-colored objects reflecting light may trigger the shut-off feature. Do not point other lights at the daylight sensor.

**INSTALLING MOUNTING BRACKET**

**Turn OFF Power at circuit breaker box**

**CAUTION:** Do not rely on wall switch alone to turn off power.

- Loosen the center mounting screw (E) and remove the mounting bracket. **Note:** Center mounting screw and bracket are pre-installed on the light fixture for shipping.
- Install the mounting bracket (D) to the junction box using two 3/4" #6 or #8 or #10 mounting screws (F). **Note:** Choose one of the 3 screw sizes provided depending on your junction box.



**CAUTION: WIRING**

**Make sure power is turned off. Connect to 120V, power source only.**

- Use wire nut to connect the bare copper or green house supply ground wire to the green fixture ground wire. **Note:** If house wiring does not include a ground wire, consult your local electrical code for approved grounding methods.

**For proper connection, place wire nut over wires and twist clockwise until tight.**

- Use wire nut to connect the white fixture wire to the white (neutral) house supply wire.
- Use wire nut to connect the black fixture wire to the black house supply wire.

**FIXTURE INSTALLATION**

- Position light fixture over j-box and align center mounting screw with center hole in mounting bracket, secure by tightening center mounting screw (E). **Note:** Make sure no wires are pinched before tightening.
- Insert rubber plug (H) into center hole to cover the center mounting screw head and provide moisture seal.

Turn on electricity at fuse or circuit breaker box and make sure the wall switch is on to verify success of installation. **Note:** Light Fixture will not come on during daylight if Motion Sensor Head is not set to TEST mode.

**MOISTURE SEAL**

- Apply silicone caulking (not included) around perimeter of the fixture where it contacts the mounting surface to avoid water entry.

**AIM LAMP HEADS**

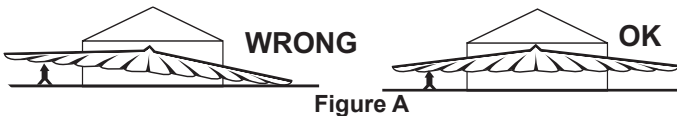
Gently grasp lamp heads (B) and position in desired directions.

**CAUTION - Risk of Shock:** Aim lamp heads at least 20° down below horizontal in order to prevent water from accumulating inside lens.

See next pages for MOTION SENSOR SET UP INSTRUCTIONS

Make sure the wall switch is in ON position (if controlled by a wall switch) **NOTE:** During daylight all lights are off.

1. If testing the light during daytime, **set the TIME control to the TEST position** to disable the photosensor and allow light to come on during daylight hours. See Fig. C.
2. **Set the SENSITIVITY control to maximum setting.** See Fig. D. **Note:** Factory setting is at highest sensitivity.
3. **Aim the MOTION SENSOR HEAD level** and across the desired detection area. See Fig. A.



**Avoid aiming the control at:**

- Objects that change temperature rapidly, such as **heating vents and air conditioners.** These heat sources could cause false triggering.
- Areas where **pets or traffic** may trigger the control.
- **Nearby large, light-colored objects** reflecting light may trigger the shut-off feature. Do not point other lights at the sensor.

Align the arrow on the knuckle between the 0-30 degree mark on the motion head see Fig. E. **Adjust the tilt angle** between 0-30 degree depending on your mounting height and desired detection range. Use chart in Fig. B as general guide.

4. **Test motion detection** by walking across your detection area (70ft /200°) in a zigzag pattern. See Fig. F. **Note:** Walking up to the motion detector in a straight line may keep you in between detection regions, and your light will not come on. A **red LED indicator light** in the motion head will flash when motion is detected and the lights will come on momentarily.

Move to different spots in the area to be tested and stop all motion for about 10 seconds. The lights should turn off. Start walking again to see if motion is detected in the new spot. Repeat the walk test in other spots to determine the coverage area. **Note:** When testing assure there are no other people or animals causing motion in the detection area.

As distance from the sensor increases, it will take more movement to be detected. The sensitivity can be adjusted to increase or decrease detection if desired. Adjust the sensitivity as needed. Sensitivity set too high may cause false triggering. See Fig. D.

5. Once Motion detection in the coverage area is confirmed, **set the TIME control to 1 or 5 minutes time** for the lights to remain on at night time once motion stops. See Fig. G. **Note:** Lights remain on as long as there is movement within the detection zone.

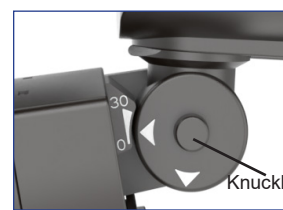
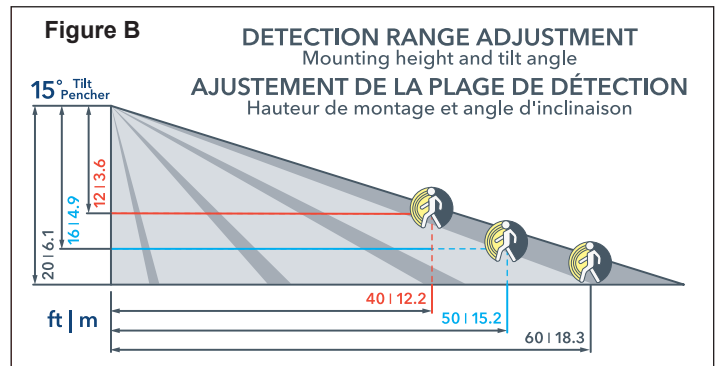
**MANUAL OVERRIDE**

**NOTE:** TIME control must be set at 1 or 5 to use manual override.

To disable the motion sensor and keep the light continuously on for the night, flip the wall switch off for 3 seconds and then back on. To reset to Security mode, flip the switch off again for 3 seconds and then back on.

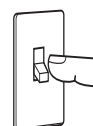
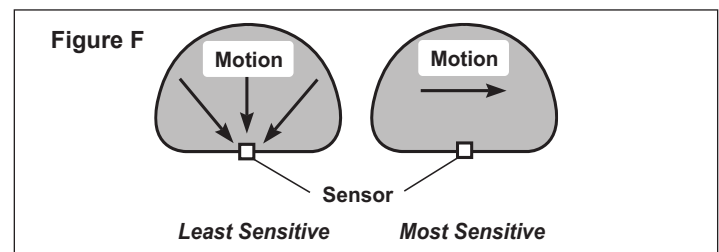
If you leave the light on all night it will automatically turn off at dawn and reset to Security mode.

**NOTE:** If you get confused while switching modes, turn the power at the breaker or wall switch off for one minute, then back on. After the calibration time, the control will be in the Security mode.

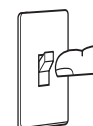


WALL MOUNT

EAVE MOUNT



3 Seconds OFF then...



...back on

If this fixture fails to operate properly, use the guide below to diagnose and correct the problem.

SYMPTOM	POSSIBLE CAUSE	SOLUTION
Lights will not come on at night	<ol style="list-style-type: none"> <li>1. Light switch is turned off.</li> <li>2. Fuse is blown or circuit breaker is turned off.</li> <li>3. Incorrect circuit wiring.</li> <li>4. Motion is not detected.</li> <li>5. Photosensor does not work.</li> </ol>	<ol style="list-style-type: none"> <li>1. Turn light switch on.</li> <li>2. Replace fuse or turn circuit breaker on.</li> <li>3. Verify wiring is correct. Check wire connections.</li> <li>4. Increase sensitivity.</li> <li>5. Set TIME control to TEST and verify operation.</li> </ol>
Lights come on during the day	<ol style="list-style-type: none"> <li>1. Light fixture/Sensor may be located in a shaded area or location with limited exposure to sun.</li> <li>2. Motion Sensor is in TEST mode.</li> </ol>	<ol style="list-style-type: none"> <li>1. Fixture is operating normally under these conditions.</li> <li>2. Set TIME control to 1 or 5 position.</li> </ol>
Lights come on for no apparent reason	<ol style="list-style-type: none"> <li>1. Motion sensor maybe detecting movement from small animals or passing cars.</li> <li>2. Sensitivity set too high.</li> <li>3. The outdoor temperature is getting cooler.</li> <li>4. The light fixture is wired through a dimmer or timer.</li> </ol>	<ol style="list-style-type: none"> <li>1/2/3. Reduce sensitivity.</li> <li>4. Do NOT use a dimmer or timer to control light fixture.</li> </ol>
Lights stay on continuously	<ol style="list-style-type: none"> <li>1. Motion Sensor is in Manual Override mode.</li> <li>2. The sensor may be picking up a heat source like an air vent, dryer vent, or brightly painted, heat-reflective surface.</li> </ol>	<ol style="list-style-type: none"> <li>1. Follow manual override instructions to reset.</li> <li>2. Reduce sensitivity.</li> </ol>
Lights flash on and off (strobing)	<ol style="list-style-type: none"> <li>1. Heat or light from the lamps may be turning the light control on and off.</li> <li>2. Heat being reflected from other objects may be affecting the sensor.</li> <li>3. Sensor is in Test mode.</li> </ol>	<ol style="list-style-type: none"> <li>1. Reposition the lamp heads so Light is not reflected toward the Daylight sensor within the Motion sensor head.</li> <li>2. Reduce Sensitivity.</li> <li>3. While in TEST mode, light only stays on for 5 seconds.</li> </ol>
Range appears limited	<ol style="list-style-type: none"> <li>1. Sensor is not level.</li> <li>2. Sensor is mounted too high or low.</li> <li>3. Movement is directly towards sensor.</li> </ol>	<ol style="list-style-type: none"> <li>1. Position sensor exactly level from side to side</li> <li>2. If mounted above 20 feet, much of the usable range will be lost. Mount at 6 to 10 feet for max. range.</li> <li>3. Move Sensor. Sensor will see movement across detection pattern more quickly. Move sensor in ¼" increments.</li> </ol>
Lights will not trigger with motion	<ol style="list-style-type: none"> <li>1. Sensitivity may be set too low.</li> <li>2. Motion Head not aimed correctly.</li> </ol>	<ol style="list-style-type: none"> <li>1. Increase Sensitivity.</li> <li>2. See section for aiming and setting motion Sensor.</li> </ol>

If further technical assistance is required, contact: Technical Support at: (800) 705-7378

This LED light provides low maintenance service with no bulbs to change. Clean surfaces with mild soap and water. Do not use abrasive materials such as scouring pads or powders, steel wool or abrasive paper.

**WARNING:** There are no user serviceable parts inside fixture.

### Contractor Resources


Check out helpful programs, tools, installation videos and more!



SCAN ME

**LEA Y SIGA LAS INSTRUCCIONES DE INSTALACIÓN.**

- Para reducir el riesgo de muerte, lesiones personales o daño a la propiedad que pueda surgir de incendios, choques eléctricos, cortes, abrasiones, caída de partes y otros peligros lea todas las advertencias e instrucciones incluidas en la caja o su interior, además de las etiquetas del montaje.
- Antes de instalar o revisar el equipo, o realizar mantenimiento de rutina, siga estas precauciones generales.
- La instalación, la revisión y el mantenimiento comerciales de las luminarias debe ser realizada por un electricista calificado autorizado.
- En el caso de instalaciones residenciales: Si no está seguro sobre la instalación o el mantenimiento de las luminarias, consulte a un electricista calificado autorizado y verifique el código eléctrico local.
- Este montaje ha sido diseñado para conectarse a una caja de unión aprobada por UL debidamente instalada y puesta a tierra.
- Cada tanto será necesario limpiar la parte externa del refractor y de la lente. La frecuencia de la limpieza dependerá del nivel de polvo del ambiente y de la potencia de la luz mínima aceptable para el usuario. El refractor/la lente se debe lavar con una solución de agua tibia y detergente de uso doméstico suave no abrasivo, enjuagar con agua limpia y secar. Si el montaje óptico se ensuciara por dentro, limpie el refractor o la lente como se indicó anteriormente; de ser necesario, reemplace las juntas dañadas.
- **NO INSTALE EL PRODUCTO SI ESTÁ DAÑADO**
- Reciclado: Para obtener información sobre cómo reciclar productos electrónicos LED, visite [www.epa.gov](http://www.epa.gov).
- Estas instrucciones no pretenden cubrir todos los detalles o las variaciones de los equipos ni abarcar todas las posibles eventualidades relacionadas con la instalación, el funcionamiento o el mantenimiento. Si necesita más información o surgen problemas específicos que no están debidamente cubiertos en la información del producto, remítase a Acuity Brands Lighting, Inc.

 **ADVERTENCIA  
RIESGO DE CHOQUE ELÉCTRICO**

- ▶ Desconecte o interrumpa la energía eléctrica antes de realizar la instalación o la reparación.
- ▶ Verifique que el voltaje de alimentación sea correcto; compárelo con la información de la etiqueta de la luminaria.
- ▶ Realice todas las conexiones eléctricas y a tierra en cumplimiento del Código Eléctrico Nacional y de los requisitos del código local vigente.
- ▶ Todas las conexiones de cableado deben cubrirse con conectores para cable reconocidos y aprobados por UL.

 **PRECAUCIÓN  
RIESGO DE LESIONES**

- ▶ Use gafas y guantes de protección en todo momento al retirar la luminaria de la caja, al instalarla, repararla o realizar operaciones de mantenimiento.
- ▶ Una vez encendida la fuente de luz, evite la exposición directa con los ojos.

 **ADVERTENCIA  
RIESGO DE QUEMADURAS**

- ▶ Antes de manipular el montaje, déjelo enfriar. No toque la carcasa ni la fuente de iluminación.
- ▶ No supere el voltaje máximo señalado en la etiqueta de la luminaria.
- ▶ Respete todas las advertencias, recomendaciones y restricciones que proporciona el fabricante para: tipo de conductor, posición de funcionamiento, puntos o métodos de montaje, reemplazo y reciclado.
- ▶ Use sólo lámparas que cumplan los estándares ANSI.

 **PRECAUCIÓN  
RIESGO DE INCENDIO**

- ▶ Mantenga lejos de la luminaria y de las lámparas/lentes, los materiales combustibles y de otro tipo que se puedan incendiar.
- ▶ No las encienda cerca de personas, materiales combustibles o sustancias inflamables.

 **PRECAUCIÓN  
RIESGO DE DAÑO PARA EL PRODUCTO**

- ▶ Jamás conecte componentes bajo carga.
- ▶ No monte estos montajes de manera que puedan cortar el revestimiento exterior o dañar el aislamiento de los cables.
- ▶ A menos que las especificaciones del producto individual consideren lo contrario: jamás conecte un producto LED directamente a un paquete de reducción de intensidad de la luz, sensores de ocupación, dispositivos de temporización ni demás dispositivos de control relacionados. Los montajes LED se deben apagar directamente de un circuito de interruptores.
- ▶ A menos que las especificaciones del producto individual consideren lo contrario: no limite la ventilación del montaje. Deje un poco de espacio alrededor del montaje. Evite cubrir los montajes LED con aislación, goma u otro material que evitará la convección o el enfriamiento de la conducción.
- ▶ A menos que las especificaciones del producto individual consideren lo contrario: no supere la temperatura ambiente máxima para el montaje.
- ▶ Use el montaje sólo en la ubicación para la que está diseñado.
- ▶ Los productos LED son sensibles a la polaridad. Asegure la correcta polaridad antes de la instalación.
- ▶ Descarga electrostática (DES): la DES puede dañar los montajes LED. Durante la instalación o reparación de la unidad se debe usar siempre equipo personal conectado a tierra.
- ▶ No toque componentes eléctricos individuales ya que esto puede causar DES, reducir la vida útil de la lámpara o alterar el funcionamiento.
- ▶ Es posible que algunos componentes dentro del montaje no se puedan reparar. En el caso improbable de que su unidad requiera reparación, deje de usar la unidad inmediatamente y comuníquese con un representante de ABL para obtener ayuda.
- ▶ Los cambios o modificaciones no aprobados expresamente por Acuity Brands Lighting pueden anular la autoridad del usuario para usar el equipo.
- ▶ Lea siempre las instrucciones de instalación completa de montaje antes de la instalación para verificar si hay advertencias específicas de montaje adicionales.

Este equipo se ha probado y se ha encontrado para conformarse con los límites para un dispositivo de la clase B digital, conforme a la parte 15 de las reglas de la FCC. Estos límites se diseñan para proporcionar la protección razonable contra interferencia dañosa cuando están utilizados en una instalación residencial. Este equipo genera, las aplicaciones y puede irradiar energía de la radiofrecuencia. Si no instalado y utilizado de acuerdo con el manual de la instrucción, este equipo puede causar interferencia dañosa a las comunicaciones por radio. La operación está conforme a las dos condiciones siguientes.

Sin embargo, no se puede garantizar que no se produzcan interferencias en una instalación en particular. Si este equipo ocasionara interferencias perjudiciales para la recepción de las señales de radio o televisión, las que pueden detectarse al encender y apagar el equipo, el usuario debe intentar corregirlas por medio de una de las siguientes medidas:

- Orientar la antena receptora en otra dirección o ubicarla en otro sitio.
- Aumentar la separación entre el equipo y el receptor.
- Conectar el equipo a una toma de corriente de un circuito diferente del que esté conectado al receptor.
- Solicitar ayuda al comerciante o a un técnico experto en radio/TV.

**GARANTÍA LIMITADA POR 5 AÑOS**

El incumplimiento de alguna de estas instrucciones puede anular la garantía del producto. Para obtener la lista completa de los términos y las condiciones respecto al producto, visite [www.acuitybrands.com](http://www.acuitybrands.com). Acuity Brands Lighting, Inc. no se hace responsable por los reclamos que puedan surgir de la instalación o manipulación inadecuada o negligente de sus productos.

**PREPARACIÓN PARA LA INSTALACIÓN**

Quite los componentes del luminario y el paquete de piezas. Verifique que todas las piezas estén incluidas. **Nota:** Tenga cuidado con las piezas pequeñas y destruya el material de embalaje, ya que pueden ser peligrosos si están al alcance de niños.

**LISTA DE EMBALAJE**

Descripción	Cantidad
A Luminaria.....	1
B Cabezal de la lámpara .....	2
C Cabeza del Sensor de Movimiento.....	1
D Soporte de montaje (preinstalado) .....	1
E Tornillo de montaje central de 2" n.º 8 (preinstalado) .....	1
F Tornillos de montaje de 3/4" n.º 8, n.º 6 y n.º 10*.....	6
G Tuercas para cables*.....	3
H Tapón de goma*.....	1

\*Contenido en el paquete de piezas

**Herraje de Montaje Incluido  
Requiere Sellador de Silicona**

**HERRAMIENTAS REQUERIDAS**



**SELECCIÓN DEL LUGAR DE MONTAJE**

Para su instalación en una caja de conexiones redonda, empotrada o montada en superficie, debidamente instalada y conectada a tierra, con certificación UL, resistente a la intemperie.

**Nota:** Luminario esta destinado para montaje a Pared o Alero para una altura de mas de 4 pies (1.2m) solamente. ¡No lo monte en el suelo!

**NO** use con reductores de intensidad de luz, con temporizadores ni en circuitos de interruptores múltiples. Si hay controles de atenuación o atenuadores de tres vías, comuníquese con un electricista calificado para quitarlos y reemplazarlos con un interruptor de atenuación eléctrico o de tres vías regular.

**NO** instale en el mismo circuito de un motor eléctrico (por ejemplo: electrodomésticos, equipo de calefacción/aire acondicionado, lavadora/ secadora, dispositivos para abrir la puerta del garaje, etc.).

**NO** instale cerca de objetos que cambian de temperatura rápidamente, como conductos de ventilación y equipos de aire acondicionado. Estas fuentes de calor podrían causar falsas activaciones.

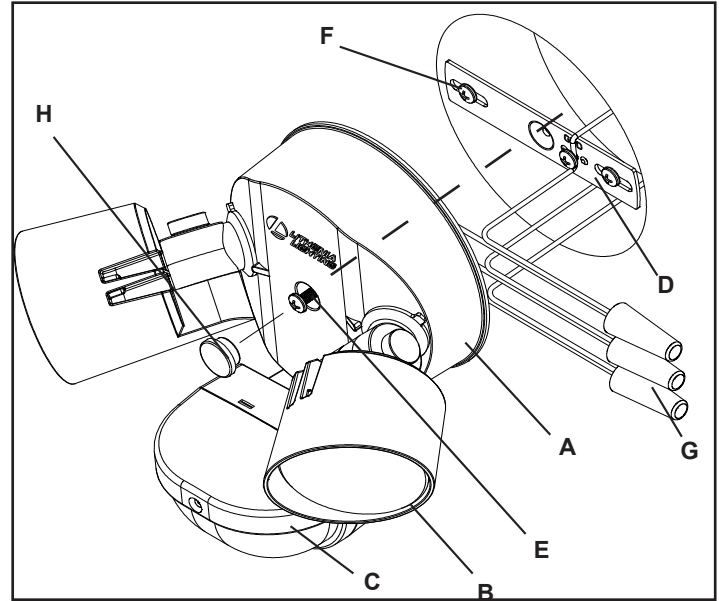
**NO** instale cerca de objetos grandes y de colores claros que reflejen la luz, ya que pueden activar la función de apagado. No oriente otras luces hacia el sensor de luz diurna.

**INSTALACIÓN DEL SOPORTE DE MONTAJE**

**DESCONECTE la energía eléctrica de la caja del disyuntor**

**PRECAUCIÓN:** No dependa solo del interruptor de pared para desconectar la energía eléctrica.

- Afloje el tornillo de montaje central (E) y retire el soporte de montaje. **Nota:** El soporte y el tornillo de montaje central están preinstalados en la luminaria para su envío.
- Instale el soporte de montaje (D) en la caja de conexiones con dos tornillos de montaje de 3/4" n.º 6, n.º 8 o n.º 10 (F). **Nota:** Elija uno de los tres tamaños de tornillos proporcionados según su caja de conexiones.



**PRECAUCIÓN: CABLEADO**

**Asegúrese de que la energía eléctrica esté desconectada.**

- Utilice la tuerca para conexión de cables para conectar el cable de conexión a tierra de suministro de la casa verde o de cobre desnudo con el cable de conexión a tierra verde del accesorio. **Nota:** Si el cableado de la casa no incluye cables de conexión a tierra, consulte su código eléctrico local para informarse sobre los métodos de conexión a tierra aprobados.

**Para lograr una conexión adecuada, coloque la tuerca para cables sobre estos y gire a la derecha hasta ajustar.**

- Utilice una tuerca para conexión de cables para conectar el cable blanco de la luminaria con el cable de suministro blanco de la casa (neutro).
- Utilice una tuerca para conexión de cables para conectar el cable negro de la luminaria con el cable de suministro negro de la casa.

**INSTALACIÓN DE LA LUMINARIA**

- Alinee la luminaria sobre la caja de conexiones y fije en el soporte de montaje ajustando el tornillo de montaje (E). **Nota:** Asegúrese de no pellizcar los cables antes de ajustar.

- Inserte el tapón de goma (H) en el orificio central para cubrir la cabeza del tornillo de montaje central y lograr un sello de humedad.

Active la electricidad desde la caja de fusibles o el disyuntor y verifique que el interruptor de pared esté encendido. **Nota:** La luz no se encenderá mientras haya luz diurna. Cubra el sensor de luz para verificar la correcta instalación si el sensor de movimiento no está configurado en modo TEST.

**SELLO DE HUMEDAD**

- Aplique masilla de silicona (no incluida) alrededor del perímetro del artefacto que entra en contacto con la superficie de montaje para lograr un sello de humedad.

**ORIENTE LOS CABEZALES DE LAS LÁMPARAS**

Sujete con cuidado los cabezales de las lámparas (B) y colóquelos en las direcciones deseadas.

**PRECAUCIÓN: Riesgo de descarga.** Dirija los cabezales de las lámparas al menos 20° hacia abajo por debajo de la línea horizontal para evitar que el agua se acumule dentro de la lente.

**Consulte las INSTRUCCIONES DE INSTALACIÓN DEL SENSOR DE MOVIMIENTO en las páginas siguientes.**

Asegúrese de que el interruptor de pared esté en la posición ENCENDIDO.  
**NOTA:** Durante el día, todas las luces están apagadas.

**1. Coloque el selector de TIME en la posición TEST (PRUEBA)** para desactivar la célula fotoeléctrica y permitir que la luz se encienda durante las horas en las que hay luz diurna. Ver figura C.

**2. Gire la perilla SENSIBILIDAD para establecer la máxima sensibilidad.** Ver Figura D. **Nota:** El sensor se configura en fábrica en un nivel de sensibilidad máxima.

**3. Apunte el nivel DEL DETECTOR DE MOVIMIENTO y a través del área de detección deseada.** Ver figura A.



Evite dirigir el control hacia lo siguiente:

- Objetos que cambian de temperatura de manera rápida, como **conductos de ventilación y equipos de aire acondicionado**. Estas fuentes de calor podrían causar falsas activaciones.
- Áreas donde las **mascotas o el tráfico** puedan activar el control.
- **Objetos cercanos grandes y de colores claros** que reflejen la luz, ya que pueden activar la función de apagado. No dirija el sensor hacia otras luces.

Alinee la flecha en el nudillo entre la marca de 0-30 grados en la cabeza de movimiento, consulte la Figura E. **Ajuste el ángulo de inclinación** entre 0-30 grados dependiendo de la altura de montaje y el rango de detección deseado. Utilice el gráfico de la Fig. A como guía. **Nota:** Para alturas por debajo de 12 pies, establezca más cerca de 0 y para alturas superiores a 12 pies, acércale a 30

**4. Prueba la detección de movimiento** caminando a través de su área de detección (70 pies / 200°) en un patrón en zigzag ver figura F. **Nota:** Caminar hasta el detector de movimiento en línea recta lo haga permanecer entre regiones de detección y es posible que la luz no se encienda. Si se detecta movimiento, la luz indicadora LED roja en el cabezal de movimiento parpadeará y las luces se encenderán durante aproximadamente 4 segundos.

Muévase a un punto diferente del área que debe probar y deje de moverse durante unos 10 segundos. Las luces deben apagarse. Comience a caminar otra vez para comprobar si se detecta movimiento en el nuevo lugar. Repita esta prueba en otros lugares para determinar el área de cobertura.

A medida que la distancia desde el sensor aumenta, se necesitará que el movimiento sea mayor para que pueda detectarse. Si lo desea, puede ajustar la sensibilidad para aumentar o reducir la capacidad de detección. Ajuste la sensibilidad como sea necesario. Si la sensibilidad se configura a un grado demasiado alto, podrían producirse falsas activaciones. Ver figura D.

**5. Una vez que se confirme la detección de movimiento, configure el tiempo durante el que desea que la luz permanezca encendida después de que se detenga el movimiento. Coloque el selector de TIME en 1 (1 minuto) o 5 (5 minutos).** Ver figura G. **Nota:** Las luces permanecen encendidas mientras haya movimiento dentro de la zona de detección.

**CONTROL MANUAL**

**NOTA:** El dial TEST debe establecerse en 1 o 5 para utilizar la anulación manual

Para desactivar el sensor de movimiento y mantener la luz encendida de forma continua durante la noche, apague el interruptor de pared durante cinco segundos y, luego, vuelva a encenderlo.

Para restablecer el modo de seguridad, apague el interruptor nuevamente durante cinco segundos y, luego, vuelva a encenderlo.

Si deja la luz encendida toda la noche, esta se apagará automáticamente al amanecer y se restablecerá al modo de seguridad.

**NOTA:** Si se confunde al intercambiar los modos, desconecte la energía eléctrica en el disyuntor o el interruptor de pared por un minuto y, luego, vuelva a encenderla. Después del tiempo de calibración, el control quedará en el modo de seguridad.

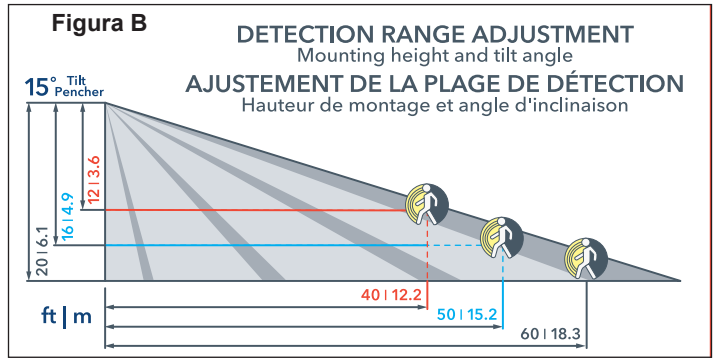


Figura E



MONTAJE EN PARED

MONTAJE DE ALERO

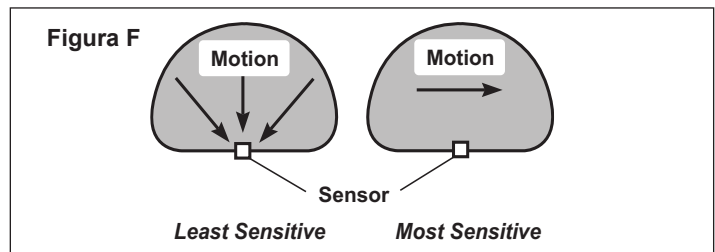
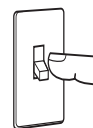
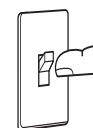


Figura G



3 segundos off entonces...



...volver a subir



Si este luminario falla de operar apropiadamente, use la siguiente guía para diagnosticar y corregir el problema.

PROBLEMA	POSIBLE CAUSA	SOLUCIÓN
Las luces no se encienden.	<ol style="list-style-type: none"> <li>1. El interruptor está desconectado.</li> <li>2. El fusible se fundió o el disyuntor está apagado.</li> <li>3. Cableado incorrecto del circuito.</li> <li>4. No se detecta el movimiento.</li> <li>5. El control del sensor óptico no funciona.</li> </ol>	<ol style="list-style-type: none"> <li>1. Conecte el interruptor de luz.</li> <li>2. Reemplace el fusible o encienda el disyuntor.</li> <li>3. Verifique que el luminario este conectado tierra correctamente</li> <li>4. Aumente la sensibilidad.</li> <li>5. Establezca el control TIME en el modo TEST y verifique el funcionamiento.</li> </ol>
Las luces se encienden en el día.	<ol style="list-style-type: none"> <li>1. El sensor puede estar colocado en un lugar relativamente oscuro.</li> <li>2. El sensor está en modo de PRUEBA.</li> </ol>	<ol style="list-style-type: none"> <li>1. El montaje funciona normalmente en estas condiciones.</li> <li>2. Coloque el selector de TIME en las posiciones 1 o 5.</li> </ol>
Las luces se encienden sin ningún motivo aparente.	<ol style="list-style-type: none"> <li>1. Posiblemente el sensor detecte animales pequeños o automóviles.</li> <li>2. La SENSIBILIDAD puede estar ajustada muy alta.</li> <li>3. La temperatura exterior está disminuyendo.</li> <li>4. La luminaria está conectada a través de un atenuador o temporizador.</li> </ol>	<ol style="list-style-type: none"> <li>1/2/3. Reduzca la sensibilidad al movimiento.</li> <li>4. NO use un atenuador o temporizador para controlar la luminaria.</li> </ol>
Las luces permanecen continuamente encendidas.	<ol style="list-style-type: none"> <li>1. El sensor está en modo Control manual.</li> <li>2. El área de cobertura puede ser demasiado amplia.</li> <li>3. Es posible que el sensor esté detectando movimiento debido a ráfagas de viento. .</li> </ol>	<ol style="list-style-type: none"> <li>1. Siga las instrucciones del control manual para restablecerlo.</li> <li>2. Ajuste el sensor de movimiento hacia abajo.</li> <li>3. Reduzca la sensibilidad.</li> </ol>
Las luces se encienden y se apagan (luz estroboscópica)	<ol style="list-style-type: none"> <li>1. El calor y la luz de las lámparas pueden encender y apagar el control de luz.</li> <li>2. Es posible que el calor reflejado por otros objetos esté afectando el sensor.</li> <li>3. El sensor está en modo de Prueba.</li> <li>4. Las luces controladas por el sensor brillan o se reflejan en la fotocélula.</li> </ol>	<ol style="list-style-type: none"> <li>1. Coloque nuevamente los cabezales de la lámpara alejados del sensor.</li> <li>2. Reduzca la sensibilidad.</li> <li>3. Mientras está en modo de PRUEBA, la luz solo permanece encendida por 5 segundos.</li> <li>4. Coloque nuevamente el sensor en incrementos pequeños.</li> </ol>
El rango parece ser limitado.	<ol style="list-style-type: none"> <li>1. El sensor no está nivelado.</li> <li>2. El sensor está montado a una altura demasiado alta.</li> <li>3. El movimiento se realiza directamente frente al sensor.</li> </ol>	<ol style="list-style-type: none"> <li>1. Coloque el sensor exactamente en forma nivelada, de lado a lado.</li> <li>2. Si monta por encima de los 20 ft, se perderá gran parte del rango que se puede usar. Monte de 6 a 10 ft para un rango máximo.</li> <li>3. Mueva el Sensor. El sensor detectará el movimiento en todo el patrón de detección con más rapidez. Mueva el sensor en incrementos de ¼ in.</li> </ol>
La luz no se activa con movimiento:	<ol style="list-style-type: none"> <li>1. Puede que la SENSIBILIDAD esté en un ajuste muy bajo.</li> <li>2. El detector de movimiento no está orientado correctamente.</li> </ol>	<ol style="list-style-type: none"> <li>1. Aumente la SENSIBILIDAD en etapas pequeñas.</li> <li>2. Ver Orientación y programación del Detector de Movimiento.</li> </ol>

Si necesita obtener más ayuda técnica, comuníquese con: Soporte técnico al: (800) 705-7378

Esta lámpara LED con detector de movimiento necesita muy poco mantenimiento y no es necesario cambiar los focos. Limpie las superficies con un limpiador suave no abrasivo.

**ADVERTENCIA:** La cabeza de la lámpara no contiene piezas que el usuario puede reparar.

### Recursos del contratista

¡Vea programas útiles, herramientas, videos de instalación y más!



**VEUILLEZ LIRE ET RESPECTER TOUTES LES CONSIGNES DE SÉCURITÉ!**

- Afin de réduire le risque de blessures personnelles ou de mort, ou d'endommager le matériel en raison d'un incendie, d'un choc électrique, de la chute de pièces, de coupures/abrasions ou de tout autre danger, lisez tous les avertissements et instructions compris dans et sur la boîte de la fixation et toutes ses étiquettes.
- Avant d'installer, d'entretenir ou de réaliser une maintenance de routine sur cet équipement, tenez compte de ces précautions générales.
- L'installation commerciale, l'entretien et les réparations des lampes ne devraient être effectuées que par un électricien diplômé et qualifié.
- Pour les installations résidentielles : Si vous avez des doutes quant à l'installation ou l'entretien des lampes, consultez un électricien diplômé et qualifié et vérifiez votre code de l'électricité local.
- Ce luminaire est conçu pour être connecté à une boîte de jonction certifiée UL, correctement installée et mise à la terre.
- Il sera occasionnellement nécessaire de nettoyer la partie extérieure du réflecteur/de la lentille. Le réflecteur/la lentille doit être lavé(e) dans une solution d'eau tiède et avec un détergent ménager doux et non abrasif, puis rincé(e) à l'eau claire et essuyé(e). En cas d'accumulation de saletés à l'intérieur de l'ensemble optique, essuyez le réflecteur/la lentille et nettoyez comme indiqué ci-dessus, en remplaçant les joints endommagés selon le besoin.
- **N'INSTALLEZ PAS UN PRODUIT ENDOMMAGÉ !**
- Recyclage : pour des informations sur la manière de recycler les produits électroniques à DEL, veuillez vous rendre sur [www.epa.gov](http://www.epa.gov).
- Ces instructions ne sont pas censées couvrir tous les détails ou variations de l'équipement ni fournir toutes les éventualités possibles en ce qui concerne l'installation, l'utilisation ou l'entretien. Si des informations supplémentaires devaient s'avérer nécessaires, ou si des problèmes particuliers se présentent et ne sont pas suffisamment repris pour l'acheteur ou du propriétaire, il conviendra de contacter Acuity Brands Lighting, Inc à ce sujet.

 **AVERTISSEMENT  
RISQUE DE CHOC ÉLECTRIQUE**

- ▶ Débranchez ou coupez l'alimentation avant l'installation ou l'entretien.
- ▶ Vérifiez que la tension d'alimentation est correcte en la comparant avec les informations sur l'étiquette de la lampe.
- ▶ Réalisez tous les raccordements électriques et de masse conformément aux exigences du Code national de l'électricité et de tout code local applicable.
- ▶ Tous les raccordements câblés doivent être faits avec des connecteurs de câbles certifiés UL.

 **ATTENTION  
RISQUE DE BLESSURE**

- ▶ Portez des gants et des lunettes de protection en permanence lorsque vous retirez la lampe du carton et que vous procédez à l'installation, à l'entretien ou à des réparations.
- ▶ Évitez le contact direct des yeux avec la source de lumière lorsqu'elle est allumée.

 **AVERTISSEMENT  
RISQUE DE BRÛLURE**

- ▶ Laissez refroidir la fixation avant de la manipuler. Ne touchez pas l'enceinte ou la source de lumière.
- ▶ Ne dépassez pas la puissance maximum indiquée sur l'étiquette de la lampe.
- ▶ Respectez tous les avertissements, recommandations et restrictions du fabricant de lampe pour le circuit d'attaque, la position de fonctionnement, les méthodes/endroits de montage, le remplacement et le recyclage.
- ▶ Utilisez uniquement les lampes qui sont conformes aux normes ANSI.

 **ATTENTION  
RISQUE D'INCENDIE**

- ▶ Conservez les matériaux combustibles et tout autre élément pouvant prendre feu à l'écart de la lampe/lentille.
- ▶ Ne l'utilisez pas à proximité de personnes, de matériaux combustibles ou de substances affectées par la chaleur.

 **ATTENTION  
RISQUE D'ENDOMMAGEMENT DU PRODUIT**

- ▶ Ne connectez jamais des composants sous charge.
- ▶ Ne montez ni soutenez pas ces fixations d'une manière qui pourrait sectionner la gaine extérieure ou endommager l'isolation de câble.
- ▶ Sauf si contraire aux spécifications du produit individuel : ne connectez jamais un produit à DEL directement à des packs de gradation de la lumière, des capteurs d'occupation, des dispositifs de minuterie ou d'autres dispositifs de commande liés. Les fixations DEL doivent être alimentées directement hors d'un circuit à interrupteur.
- ▶ Sauf si contraire aux spécifications du produit individuel : Sauf si contraire aux spécifications du produit individuel : ne pas limiter la ventilation de la fixation. Laissez un espace libre suffisant autour de la fixation. Évitez de couvrir les fixations DEL avec de l'isolation, de la mousse ou d'autres matériaux qui empêcheront le refroidissement de convection ou de conduction.
- ▶ Sauf si contraire aux spécifications du produit individuel : ne pas dépasser la température ambiante maximum à laquelle les fixations sont exposées.
- ▶ N'utilisez la fixation que dans l'emplacement prévu à cet effet.
- ▶ Les produits à DEL sont sensibles à la polarité. Assurez-vous que la polarité est correcte avant l'installation.
- ▶ Décharge électrostatique (DES) : les DES peuvent endommager les fixations DEL. Un équipement de mise à la masse personnel doit être porté lors de toute installation ou entretien de l'unité.
- ▶ Ne touchez pas les composants électriques individuels car cela peut causer une DES, réduire la durée de vie de la lampe ou altérer ses performances.
- ▶ Certains composants à l'intérieur de la fixation peuvent ne pas être réparables. Dans le cas peut probable où votre unité aurait besoin d'être réparée, arrêtez immédiatement d'utiliser l'unité et contactez un représentant ABL pour obtenir de l'aide.
- ▶ Les changements ou les modifications qui ne sont pas expressément approuvés par Acuity Brands Lighting pourraient rendre nulle et non avenue l'autorisation d'utiliser ce matériel.
- ▶ Lisez toujours les instructions d'installation complètes des fixations avant l'installation pour les autres avertissements spécifiques de la fixation.

cet équipement a été testé et respecte les limites des normes relatives aux articles numériques de Classe B établies dans la partie 15 du règlement de la FCC. Ces limites ont été établies pour offrir une protection raisonnable contre les interférences nuisibles dans les installations résidentielles. Cet appareil génère, utilise et peut émettre de l'énergie de radio fréquence. S'il n'est pas installé de manière conforme aux instructions, il peut causer des interférences nuisibles aux communications radio. Il n'est toutefois pas garanti que de l'interférence ne se produira pas dans une installation dommée. Si cet équipement cause de l'interférence nuisibles à la réception radiophonique ou télévisuelle, ce qui peut être déterminé en allumant et en éteignant l'équipement, l'utilisateur est encouragé à suivre l'une ou l'ensemble des mesures suivantes pour corriger l'interférence :

- Réorienter ou déplacer l'antenne réceptrice.
- Accroître la séparation entre l'équipement et le récepteur.
- Brancher l'équipement sur une prise utilisant un circuit d'alimentation différent de celui sur lequel le récepteur est connecté.
- Demander l'aide du concessionnaire ou d'un technicien expert dans les la radio et de la télévision.

**GARANTIE LIMITÉE DE 5 ANS**

Tout manquement au respect de ces instructions pourrait rendre nulles les garanties. Pour une liste complète des conditions générales du produit, veuillez vous rendre sur [www.acuitybrands.com](http://www.acuitybrands.com). Acuity Brands Lighting, Inc. n'assume aucune responsabilité pour les réclamations découlant d'une installation ou d'une manipulation incorrectes ou négligentes de ses produits.

## 1. SE PRÉPARER AVANT L'INSTALLATION

Retirer les composants de l'appareil et l'emballage des pièces. S'assurer que toutes les pièces sont incluses. **Note:** Faites attention aux petites pièces et détruisez le matériel d'emballage car ils pourraient être dangereux pour les enfants.

### LISTE DES PIÈCES

Description	Quantité
A Luminaire.....	1
B Tête de lampe .....	2
C Tête du détecteur de mouvement .....	1
D Support de montage (préinstallé).....	1
E Vis de montage central 2 po no 8 (préinstallée).....	1
F Vis de montage 3/4 po no 8, no 6 et no 10* .....	6
G Capuchons de connexion*.....	3
H Bouchon en caoutchouc*.....	1

\*Compris dans l'emballage de pièces

**Quincaillerie de montage comprises  
Joint d'étanchéité à la silicone requis**

### OUTILS REQUIS



## 2. CHOISIR L'EMPLACEMENT DE MONTAGE

Pour une installation sur une boîte de jonction ronde, encastrée ou en surface, résistante aux intempéries, correctement installée et mise à la terre, certifiée UL.

**Note:** L'appareil est prévu pour un montage en avant-toit ou mural à plus de 4pi (1,2m) du sol seulement. Ne pas installer directement au sol !

Ne **PAS** utiliser avec des gradateurs ou des circuits va-et-vient. Si des commandes de gradateur ou un gradateur à trois voies sont présents, contactez un électricien qualifié pour les retirer et les remplacer par un variateur électrique ordinaire ou un gradateur à trois voies.

Ne **PAS** installer sur le même circuit qu'un moteur électrique (c.-à-d. électroménager, équipement CVCA, sèche-linge/lave-linge, système d'ouverture de garage).

Ne **PAS** installer à proximité d'objets changeant rapidement de température, tels que les systèmes de chauffage et conditionneurs d'air. Ces sources de chaleur peuvent déclencher une activation involontaire.

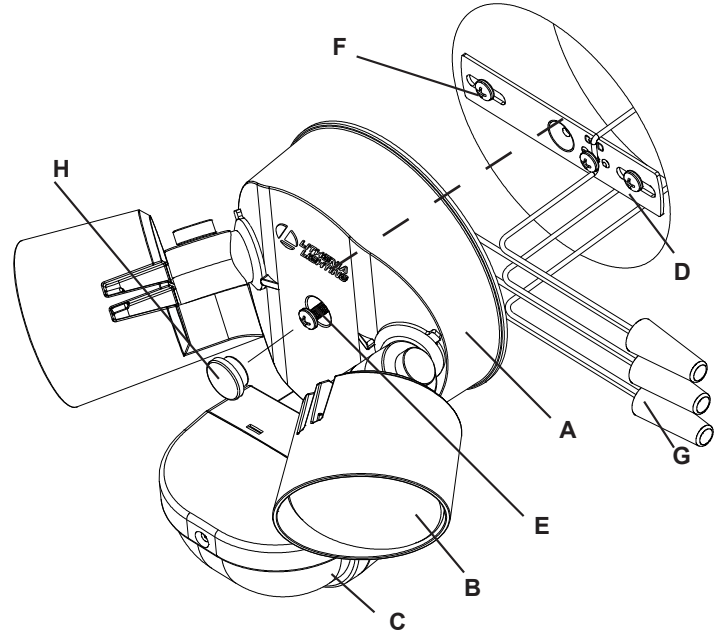
Ne **PAS** installer à proximité d'objets de grande taille et de couleur claire réfléchissant la lumière et pouvant éteindre l'appareil. Ne pas diriger d'autres sources de lumière vers le détecteur de lumière du jour.

## 3. INSTALLATION DU SUPPORT DE MONTAGE

**Coupez l'alimentation au niveau du disjoncteur**

**MISE EN GARDE :** Ne pas se fier uniquement à l'interrupteur mural pour couper l'alimentation.

- Desserrez la vis de montage centrale (E) et retirez le support de montage. **Remarque :** La vis de fixation centrale et le support sont préinstallés sur le luminaire pour expédition.
- Installez le support de montage (D) sur la boîte de jonction à l'aide de deux vis de montage 3/4 po no 8, no 6 ou no 10 (F). **Remarque :** Choisissez parmi les vis fournies, la taille qui convient à votre boîte de jonction.



## 4. ATTENTION : CÂBLAGE

Veillez à couper l'alimentation.

- Utilisez le capuchon de connexion pour connecter le fil de mise à la terre en cuivre nu, ou de mise à la terre vert pour l'alimentation de la maison, au fil de mise à la terre vert du luminaire. **Remarque :** Si le câblage de la maison ne comprend pas de mise à la terre, consultez votre code de l'électricité local pour connaître les procédures de mise à la terre agréées.

**Pour une bonne connexion, placez le capuchon de connexion sur les fils et tournez dans le sens des aiguilles d'une montre jusqu'à ce qu'il soit bien serré.**

- Utilisez un capuchon de connexion pour raccorder le fil blanc du luminaire au fil d'alimentation blanc (neutre) de la maison.
- Utilisez un capuchon de connexion pour raccorder le fil noir du luminaire au fil d'alimentation noir de la maison.

## 5. INSTALLATION DU LUMINAIRE

- Alignez le luminaire au-dessus de la boîte de jonction et fixez-le au support de montage en serrant la vis de montage centrale (E). **Remarque :** Assurez-vous qu'aucun fil n'est coincé avant de serrer.
- Insérez le bouchon en caoutchouc (H) dans le trou central pour couvrir la tête de la vis de montage centrale pour l'étanchéité à l'humidité.

Rétablissez le courant au niveau de la boîte de fusibles ou du disjoncteur et assurez-vous que l'interrupteur mural est allumé. **Remarque :** Le luminaire ne s'allumera pas pendant la journée si le capteur de mouvement n'est pas réglé sur le mode TEST.

## 6. ÉTANCHÉITÉ À L'HUMIDITÉ

- Appliquez du calfeutrage en silicone (non compris) sur le périmètre de jointure entre l'appareil et la surface de montage pour l'étanchéité à l'humidité.

## 7. ORIENTATION DES TÊTES DE LAMPE

Saisissez doucement les têtes de lampe (B) et positionnez-les dans les directions souhaitées.

**MISE EN GARDE – Risque de choc :** Dirigez les têtes de lampe à au moins 20° en dessous de l'horizontale afin d'empêcher l'eau de s'accumuler à l'intérieur de l'objectif.

**voir la page suivante pour les INSTRUCTIONS DE MONTAGE DU CAPTEUR DU DÉTECTEUR DE MOUVEMENT**

Assurez-vous que le commutateur mural est en position ON.

**REMARQUE :** Pendant la journée, tous les luminaires sont éteints.

1. S'il vous arrive de tester votre luminaire pendant la journée **Réglez la molette de sélection de TIME sur la position TEST** pour désactiver la cellule photoélectrique et permettre au luminaire de s'allumer pendant la journée. Voir figure C.

2. **Tournez le bouton SENSITIVITY (SENSIBILITÉ)** dans le sens des aiguilles d'une montre jusqu'à la sensibilité maximale. Voir figure D.  
**Remarque :** Par défaut, la sensibilité est réglée au maximum.

3. **Orientez le niveau DÉTECTEUR DE MOUVEMENT** et à travers la zone de détection souhaitée. Voir figure A.



Évitez d'exposer les commandes aux :

- Objets changeant rapidement de température, tels que les **systèmes de chauffage et conditionneurs d'air**. Ces sources de chaleur peuvent déclencher une activation involontaire.
- Lieux fréquentés par des **animaux ou des véhicules** pouvant activer les commandes.
- **Objets de grande taille et de couleur claire, situés à proximité** et reflétant la lumière, qui pourraient éteindre l'appareil. Ne pas diriger d'autres lumières vers le détecteur.

Alignez la flèche sur l'articulation entre la marque de 0 à 30 degrés sur la tête de mouvement voir figure E. Ajustez l'angle d'inclinaison entre 0 et 30 degrés en fonction de votre hauteur de montage et de la plage de détection souhaitée. Utilisez le graphique de la Fig. A comme guide. Remarque: Pour les hauteurs inférieures à 12 pieds, définissez plus près de 0 et pour les hauteurs supérieures à 12 pieds, rapprochez-vous de 30.

4. **Testez la détection des mouvements** en marchant sur votre zone de détection (21 m/200°) en zigzag voir figure F. **Remarque :** Si vous marchez en ligne droite vers le détecteur de mouvement, il se peut que vous passiez entre les zones de détection et que votre luminaire ne s'allume pas. Un témoin DEL rouge dans la tête de mouvement clignotera quand un mouvement est détecté et les lumières s'allumeront pendant approximativement 4 secondes.

Déplacez-vous vers un autre emplacement dans cette zone pour la tester et arrêtez tout mouvement pendant environ 10 secondes. Les lumières devraient s'éteindre. Recommencez à marcher pour voir si vos mouvements sont détectés dans ce nouvel emplacement. Répétez ce test de marche dans d'autres emplacements afin de déterminer la zone de couverture.

Plus la distance par rapport au capteur augmente, plus les mouvements sont difficiles à détecter. Le degré de sensibilité peut être réglé si vous le souhaitez. Réglez la sensibilité selon vos besoins. Une sensibilité trop élevée peut déclencher une activation involontaire. Voir figure D

5. Une fois la détection de mouvement confirmée, réglez le laps de temps souhaité pendant lequel le luminaire reste allumé après l'arrêt du mouvement. Réglez la molette TIME sur 1 ou 5 (minutes). Voir figure G.

**COMMANDE MANUELLE**

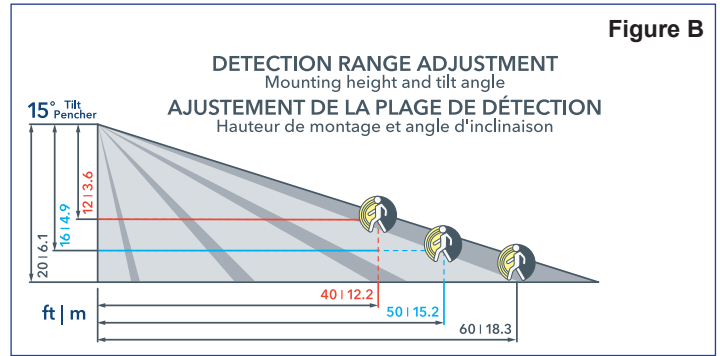
**REMARQUE :** Le cadran MODE doit être réglé à 1 ou 5 pour utiliser le remplacement manuel

Pour désactiver le détecteur de mouvement et maintenir le luminaire allumé en permanence pendant la nuit, éteignez l'interrupteur mural pendant 3 secondes, puis rallumez-le.

Pour réinitialiser le mode Sécurité, éteignez à nouveau l'interrupteur pendant 3 secondes, puis rallumez-le.

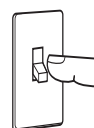
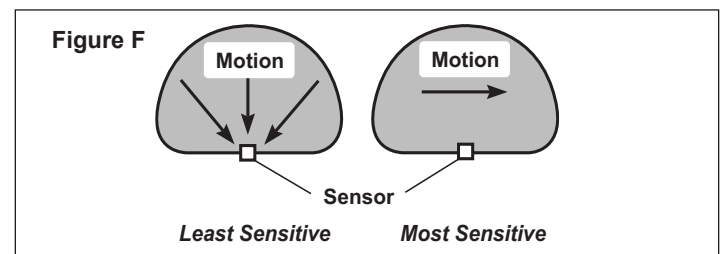
Si vous laissez le luminaire allumé toute la nuit, il s'éteindra automatiquement à l'aube et se réinitialisera en mode Sécurité. mode.

**REMARQUE :** Si vous vous emmêlez lors du changement de mode, éteignez le disjoncteur ou l'interrupteur mural pendant une minute, puis rallumez-le. Après le temps de calibrage, la commande sera en mode Sécurité.

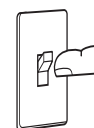


SUPPORT MURAL

MONTURE EAVE



3 secondes OFF alors...



...retour sur

Si l'appareil ne fonctionne pas adéquatement, veuillez vous servir du guide ci-dessous afin d'identifier et corriger le problème.

PROBLÈME	CAUSE POSSIBLE :	SOLUTION
Les lumières ne s'allument pas	<ol style="list-style-type: none"> <li>1. L'interrupteur est en position arrêt.</li> <li>2. Les fusibles ont sauté ou le disjoncteur est éteint.</li> <li>3. Circuit de câblage incorrect.</li> <li>4. Aucun mouvement n'est détecté.</li> <li>5. Le capteur lumineux ne fonctionne pas.</li> </ol>	<ol style="list-style-type: none"> <li>1. Allumez l'interrupteur de lampe.</li> <li>2. Remplacez le fusible ou allumez le disjoncteur.</li> <li>3. Vérifiez que le câblage est correct.</li> <li>4. Augmentez la sensibilité.</li> <li>5. Réglez le contrôle TIME sur le mode TEST et vérifiez le fonctionnement</li> </ol>
Les lumières s'allument à la lumière du jour.	<ol style="list-style-type: none"> <li>1. Le capteur est peut-être situé dans un emplacement sombre.</li> <li>2. Le capteur est en mode TEST.</li> </ol>	<ol style="list-style-type: none"> <li>1. L'équipement fonctionne correctement dans ces conditions.</li> <li>2. Régler la molette MODE sur la position M1 ou M5.</li> </ol>
Les lumières s'allument sans raison apparente.	<ol style="list-style-type: none"> <li>1. Le capteur détecte peut-être des animaux de petite taille ou des voitures.</li> <li>2. La sensibilité est trop élevée.</li> <li>3. La température extérieure baisse.</li> <li>4. Le luminaire est raccordé au travers d'un gradateur ou d'une minuterie.</li> </ol>	<ol style="list-style-type: none"> <li>1/2/3. Réduire la sensibilité au mouvement</li> <li>4. Ne PAS utiliser de gradateur ni de minuterie pour contrôler le luminaire.</li> </ol>
Les lumières restent allumées en permanence	<ol style="list-style-type: none"> <li>1. Le capteur est en mode de commande manuelle.</li> <li>2. La zone de détection est peut-être trop grande.</li> <li>3. Le détecteur peut capter un mouvement en raison d'un vent en rafales.</li> </ol>	<ol style="list-style-type: none"> <li>1. Suivez les instructions de commande manuelle pour réinitialiser l'appareil.</li> <li>2. Ajustez le détecteur de mouvement vers le bas.</li> <li>3. Réduisez la sensibilité.</li> </ol>
Les lumières s'allument et s'éteignent (clignotement)	<ol style="list-style-type: none"> <li>1. La chaleur ou la lumière des lampes peut activer et désactiver le mécanisme de commande.</li> <li>2. De la chaleur renvoyée par d'autres objets peut affecter le capteur.</li> <li>3. Le capteur est en mode Test.</li> <li>4. Les lumières du capteur brillent ou se reflètent dans la photocellule.</li> </ol>	<ol style="list-style-type: none"> <li>1. Repositionnez les têtes de lampe loin du capteur.</li> <li>2. Réduisez la sensibilité.</li> <li>3. En mode TEST, la lumière ne reste allumée que 5 secondes.</li> <li>4. Repositionnez le capteur progressivement.</li> </ol>
La portée semble limitée	<ol style="list-style-type: none"> <li>1. Le capteur n'est pas à l'horizontale.</li> <li>2. Le capteur est placé trop haut.</li> <li>3. Le mouvement se fait dans la direction du capteur.</li> </ol>	<ol style="list-style-type: none"> <li>1. Positionnez le capteur parfaitement à l'horizontale</li> <li>2. Au-delà de 20 pieds, la portée de détection sera grandement réduite. Placez le matériel à une hauteur allant de 6 à 10 pieds pour une portée optimale.</li> <li>3. Déplacez le capteur. Le capteur détectera les mouvements transversaux plus rapidement. Déplacez le capteur par tranches de ¼ po (0,6 cm).</li> </ol>
Les lumières ne s'allument pas en cas de mouvement.	<ol style="list-style-type: none"> <li>1. La sensibilité est peut-être trop faible.</li> <li>2. Les têtes de mouvement ne sont pas orientées</li> </ol>	<ol style="list-style-type: none"> <li>1. Augmentez la sensibilité petit à petit</li> <li>2. Voir la section concernant l'orientation et l'installation du détecteur de mouvement.</li> </ol>

Pour toute autre assistance, veuillez contacter nos services de support technique: le soutien technique au: (800) 705-7378

Cette lampe à détecteur de mouvement DEL nécessite peu d'entretien et il n'y a aucune ampoule à changer. Nettoyez les surfaces avec un produit doux non abrasif.

**AVERTISSEMENT:** Il n'y a aucune pièce réparable à l'intérieur de chaque projecteur.

#### Ressources pour entrepreneurs

Accédez aux programmes, outils, vidéos et plus encore!

