

# ESL3

## Esplanade® Tear Drop Large Roadway LED Pendant



Catalog Number	
Notes	Type

### Description

The Esplanade luminaire is styled to replicate the "teardrop" luminaires that lighted boulevards in the first half of the 1900s. Designed for light control and ease of installation and maintenance, the Esplanade has a precision optical system for true street lighting performance.

### Mechanical

The luminaire housing:

- Heavy grade A360 cast aluminum (aluminum with <1% copper)
- IP65 rated housing provides a spring-loaded latch for toolless access and a hinge for easy installation and servicing
- Optic door incorporates a hinge and wing nut enabling toolless access to install and service
- EEI- NEMA twist lock photocontrol receptacle can be mounted in electrical housing or externally; housing contains a tempered glass window to allow light to reach the cell for internally mounting

### Electrical

- Certified by UL or CSA for wet locations
- A factory programmable electronic driver with 0-10V dimming control leads meets maximum total harmonic distortion (THD) of 20%, >0.90 Power Factor and are ROHS compliant.
- Minimum operating temperature is -40°C. Electronic driver has an estimated minimum life of 100,000 hours at 25°C.
- Optional DALI driver available
- 20kV/10kA surge protection, fail off, with indicator light meets ANSI/IEEE C62.41.2
- Quick disconnect connectors for ease of installation and maintenance.
- Three pole terminal block is standard, with optional prewired leads for ease of installation
- Configurable with CCT options of 2700K, 3000K, 4000K and 5000K, 70 CRI minimum

### Finish

- Rigorous multi-stage pre-treating and painting process yields a finish that achieves a scribe creepage rating of 8 (per ASTM D1654) after over 5,000 hours exposure to salt fog chamber (operated per ASTM B117) on standard and RAL finish options.
- RAL (RALxxxxSDCR) paint colors are Super Durable Corrosion Resistant, 80% gloss.

### Optical

The optical system is IP66 rated and consists of a precisely molded thermal resistant borosilicate glass refractor mounted within the borosilicate refractor Teardrop, Bowl, Sag shaped glass optic or the tempered Flat glass retained by the cast aluminum door. Designed for Type 2, 3, 4 & 5 distribution, see performance data table for configurations. For zero uplight options the flat glass option or the decorative shallow or deep skirt used with the bowl or sag glass.

### Control Options

The control options shall include, but not limited to, the following:

- Field adjustable output to adjust output to luminaire - AO
- Long life photocontrol, 20 years – PCLL, P34 and P48 with DTL
- 7 pin receptacles internally in housing (PR7) or externally mounted on the leveling fitter (PR7E)
- On externally mounted options, the photocontrol or shorting cap are selected with the leveling fitter

### Mounting Style (Leveling Fitter Options)

Three mounting versions are available.

- An arm mount version which is provided with two U-bolts with washers and nuts and two leveling set screws that lock the housing to a 2 inch nominal (2-3/8" O.D.) horizontal arm and allow a +/- 5 degree adjustment from horizontal to the cover.
- A pendant mount version (either 1.25NPT or 1.5NPT) which threads to a vertical NPT male threaded pipe fitting and is locked in place by a stainless-steel set screw.
- A QSM (Quick Lock Stem Mounting), which consists of a vertical stem with flared top that mounts into a matching QSM fitter or arm. The QSM mount can aid in installation speed as it is a quicker installation than the other mounting methods.

Note: the QSM style is compatible with the following leveling fitters:

- Boston Harbor Decorative Arm Fitter (BHDF)
- GlasWerks Decorative Arm Fitter (GWDF)
- West Liberty Decorative Arm Fitter (WLDF)
- Ball Style Decorative Arm Fitter (BADF)

### Certification

CSA listing suitable for wet location up to 40°C. Consult factory for details.

DesignLights Consortium® (DLC) qualified product. Not all versions of this product may be DLC qualified. Please check the DLC Qualified Products List at [www.designlights.org/QPL](http://www.designlights.org/QPL) to confirm which versions are qualified.

### Government Procurement

BAA – Buy America(n) Act: Product qualifies as a domestic end product under the Buy American Act as implemented in the FAR and DFARS. Product also qualifies as manufactured in the United States under DOT Buy America regulations.

BABA – Build America Buy America: Product qualifies as produced in the United States under the definitions of the Build America, Buy America Act.

Please refer to [www.acuitybrands.com/resources/buy-american](http://www.acuitybrands.com/resources/buy-american) for additional information.

### Warranty

5-year limited warranty. This is the only warranty provided and no other statements in this specification sheet create any warranty of any kind. All other express and implied warranties are disclaimed. Complete warranty terms located at: [www.acuitybrands.com/support/warranty/terms-and-conditions](http://www.acuitybrands.com/support/warranty/terms-and-conditions)

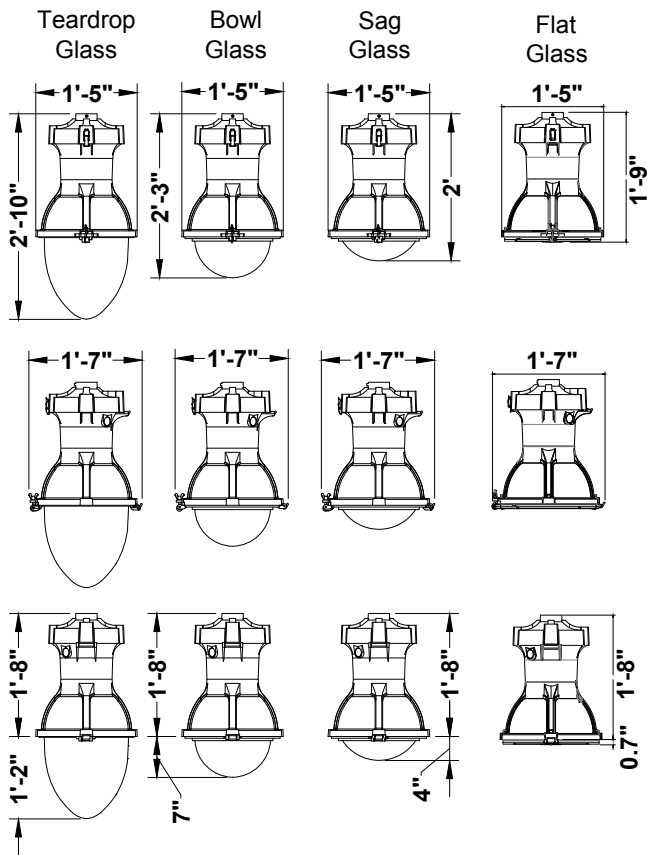
### Note:

Actual performance may differ as a result of end-user environment and application.

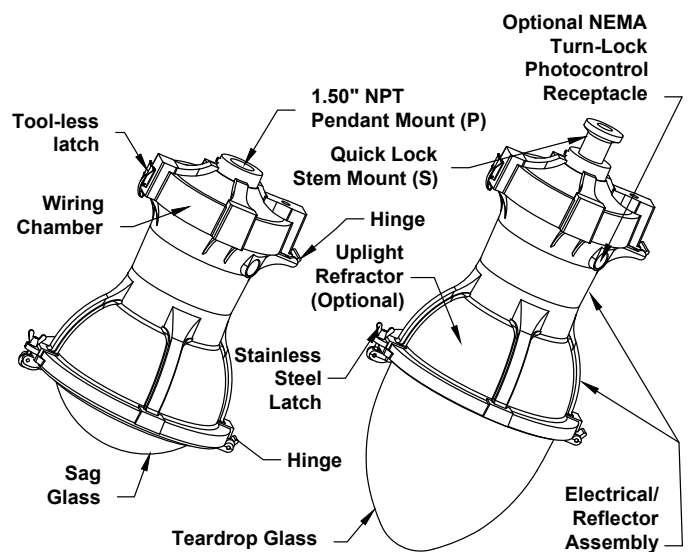
All values are design or typical values, measured under laboratory conditions at 25 °C.

Specifications subject to change without notice.

**DIMENSIONAL DATA**



Maximum Weight - 69 lbs (Up Light Version)  
 Maximum Weight - 69 lbs (Down Light Version)  
 Maximum Effective Projected Area - ESL3 2.62 ft<sup>2</sup>, ESL3 SS 2.86 ft<sup>2</sup>, ESL3 DS 3.06 ft<sup>2</sup>



**ORDERING INFORMATION**

**Example:** ESL3 P30S 30K MVOLT TG3 QSM BK

Series	Lumen/Wattage Package				Color Temperature		Voltage			
ESL3 Esplanade style housings	P10S Standard housing, 44W	P35S Standard housing, 112W	27K 2700 series CCT	MVOLT	Auto-sensing voltage (120 thru 277) 50/60 HZ	P15S Standard housing, 54W	P40S Standard housing, 132W	30K 3000 series CCT	HVOLT	Auto-sensing voltage (347 thru 480) 50/60 HZ
	P20S Standard housing, 73W	P45S Standard housing, 153W	40K 4000 series CCT			P20U Uplight housing, 94W	P50S Standard housing, 173W	50K 5000 series CCT		
	P25S Standard housing, 82W	P55S Standard housing, 193W				P25U Uplight housing, 109W	P60S Standard housing, 215W			
	P30S Standard housing, 92W	P65S Standard housing, 247W				P30U Uplight housing, 122W				

Optic				Mounting	
TG2	Tear Drop Glass & Door: Type 2 application	BG4	Bowl Glass & Door: Type 4 application	NPT	Threaded top opening - 1.50" NPT
TG3	Tear Drop Glass & Door: Type 3 application	BG5	Bowl Glass & Door: Type 5 application	QSM	Quick Lock Stem mount
TG4	Tear Drop Glass & Door: Type 4 application	SG2	Sag Glass & Door: Type 2 application		
FG3	Flat Glass & Door: Type 3 application	SG3	Sag Glass & Door: Type 3 application		
FG5	Flat Glass & Door: Type 5 application	SG4	Sag Glass & Door: Type 4 application		
BG2	Bowl Glass & Door: Type 2 application	SG5	Sag Glass & Door: Type 5 application		
BG3	Bowl Glass & Door: Type 3 application				

Finish	Options		
BK Black	<u>Control Options</u>	<u>Prewire Lead Options</u>	
DB Dark Blue	AO Field Adjustable Output	L1H 1.5 ft. prewired leads	
GR Grey	PR7 NEMA twistlock dimming photocontrol receptacle - 7 pin	L03 3 ft. prewired leads	
GH Graphite	PR7E NEMA twistlock dimming photocontrol receptacle - 7 pin (Externally mounted to Fitter)	L10 10 ft. prewired leads	
GN Green	PCLL Long Life DTL Twistlock Photocontrol for Solid State, Fail Off, MVOLT	L20 20 ft. prewired leads	
PP Prime Paint	P34 Long Life DTL Twistlock Photocontrol for Solid State, Fail Off, 347V	L25 25 ft. prewired leads	
SL Silver	P48 Long Life DTL Twistlock Photocontrol for Solid State, Fail Off, 480V	L30 30 ft. prewired leads	
WH White	SH Shorting cap	L35 35 ft. prewired leads	
BZ Bronze	<u>Packaging Options</u>	<u>NEMA Label Options</u>	
CMC Custom Match Color Finish	Blank Standard shipping - Electrical & Optic ship in separate cartons	NL1X1 1X1 NEMA Label	
RALxxxxSDCR RAL Super Durable Corrosion Resistant, 80% Gloss Paint, replace xxxx with RAL number.	UA Unitized Assembly Electrical & Optic ship in a single carton	NL3X3 3X3 NEMA Label	
CTBS Standard Finish to be determined	UAS Unitized Assembly Electrical, Optic & Skirt (DS & SS) ship in a single carton	<u>Shielding Options</u>	
	UAF Unitized Assembly Electrical, Optic & Fitter (BHDF, GWDF, WLDF & BADF) ship in a single carton	DS Deep Skirt, 30" diameter	
	UASF Unitized Assembly Electrical, Optic, Skirt (DS & SS) & Fitter (BHDF, GWDF, WLDF & BADF) ship in a single carton	SS Shallow Skirt, 30" diameter	
		HSS90 Factory installed Large TearDrop, Bowl & Flat Glass House Side Shield 90 degrees	
		HSS120 Factory installed Large TearDrop, Bowl & Flat Glass House Side Shield 120 degrees	
		HSS180 Factory installed Large TearDrop, Bowl & Flat Glass House Side Shield 180 degrees	
		HSG90 Factory installed Large Sag Glass House Side Shield 90 degrees	
		HSG120 Factory installed Large Sag Glass House Side Shield 120 degrees	
		HSG180 Factory installed Large Sag Glass House Side Shield 180 degrees	

Accessories: Order as separate catalog number, ships separately & field installed.	
<u>Shielding Options</u>	
LTD3HSS90	Large TearDrop, Bowl & Flat Glass House side shield 90 degree
LTD3HSS120	Large TearDrop, Bowl & Flat Glass House side shield 120 degree
LTD3HSS180	Large TearDrop, Bowl & Flat Glass House side shield 180 degree
LTD3HSG90	Large Sag Glass House side shield 90 degree
LTD3HSG120	Large Sag Glass House side shield 120 degree
LTD3HSG180	Large Sag Glass House side shield 180 degree
LTDSxx	Deep Skirt, 30" Diameter, replace xx with Finish option
LTSSxx	Shallow Skirt, 30" Diameter, replace xx with Finish option

OPTIONS MATRIX

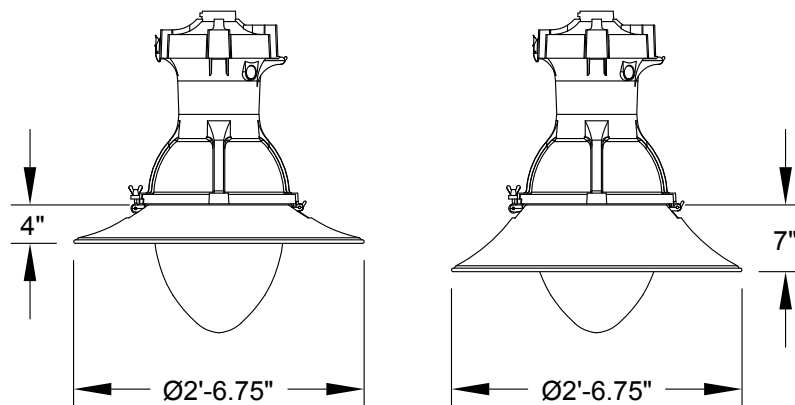
OPTIONS		Performance Package														Voltage		Options							
		P10S	P15S	P20S	P20U	P25S	P25U	P30S	P30U	P35S	P40S	P45S	P50S	P55S	P60S	P65S	MVOLT	HVOLT	AO	PR7	PR7E	PCLL	P34	P48	SH
Performance Package	P10S		N	N	N	N	N	N	N	N	N	N	N	N	N	N	Y	Y	Y	Y	Y	Y	Y	Y	Y
	P15S	N		N	N	N	N	N	N	N	N	N	N	N	N	N	Y	Y	Y	Y	Y	Y	Y	Y	Y
	P20S	N	N		N	N	N	N	N	N	N	N	N	N	N	N	Y	Y	Y	Y	Y	Y	Y	Y	Y
	P20U	N	N	N		N	N	N	N	N	N	N	N	N	N	N	Y	Y	Y	Y	Y	Y	Y	Y	Y
	P25S	N	N	N	N		N	N	N	N	N	N	N	N	N	N	Y	Y	Y	Y	Y	Y	Y	Y	Y
	P25U	N	N	N	N	N		N	N	N	N	N	N	N	N	N	Y	Y	Y	Y	Y	Y	Y	Y	Y
	P30S	N	N	N	N	N	N		N	N	N	N	N	N	N	N	Y	Y	Y	Y	Y	Y	Y	Y	Y
	P30U	N	N	N	N	N	N	N		N	N	N	N	N	N	N	Y	Y	Y	Y	Y	Y	Y	Y	Y
	P35S	N	N	N	N	N	N	N	N		N	N	N	N	N	N	Y	Y	Y	Y	Y	Y	Y	Y	Y
	P40S	N	N	N	N	N	N	N	N	N		N	N	N	N	N	Y	Y	Y	Y	Y	Y	Y	Y	Y
	P45S	N	N	N	N	N	N	N	N	N	N		N	N	N	N	Y	Y	Y	Y	Y	Y	Y	Y	Y
	P50S	N	N	N	N	N	N	N	N	N	N	N		N	N	N	Y	Y	Y	Y	Y	Y	Y	Y	Y
	P55S	N	N	N	N	N	N	N	N	N	N	N	N		N	N	Y	Y	Y	Y	Y	Y	Y	Y	Y
	P60S	N	N	N	N	N	N	N	N	N	N	N	N	N		N	Y	Y	Y	Y	Y	Y	Y	Y	Y
P65S	N	N	N	N	N	N	N	N	N	N	N	N	N	N		Y	Y	Y	Y	Y	Y	Y	Y	Y	
Voltage	MVOLT	Y	Y	Y	Y	Y	Y	Y	Y	Y	Y	Y	Y	Y	Y	Y		N	Y	Y	Y	Y	N	Y	
	HVOLT	Y	Y	Y	Y	Y	Y	Y	Y	Y	Y	Y	Y	Y	Y	Y	N		Y	Y	Y	N	Y	Y	
Options	AO	Y	Y	Y	Y	Y	Y	Y	Y	Y	Y	Y	Y	Y	Y	Y	Y	Y		Y	N	Y	Y	Y	
	PR7	Y	Y	Y	Y	Y	Y	Y	Y	Y	Y	Y	Y	Y	Y	Y	Y	Y	Y		N	Y	Y	Y	
	PR7E	Y	Y	Y	Y	Y	Y	Y	Y	Y	Y	Y	Y	Y	Y	Y	Y	Y	Y	N		N	N	N	
	PCLL	Y	Y	Y	Y	Y	Y	Y	Y	Y	Y	Y	Y	Y	Y	Y	Y	Y	N	Y		N	N	N	
	P34	Y	Y	Y	Y	Y	Y	Y	Y	Y	Y	Y	Y	Y	Y	Y	N	Y	Y	Y	N	N		N	
	P48	Y	Y	Y	Y	Y	Y	Y	Y	Y	Y	Y	Y	Y	Y	Y	N	Y	Y	Y	N	N	N		
SH	Y	Y	Y	Y	Y	Y	Y	Y	Y	Y	Y	Y	Y	Y	Y	Y	Y	Y	Y	N	N	N	N		

OPTICS by PERFORMANCE PACKAGE		Performance Package											
		TG2	TG3	TG4	FG3	FG5	BG2	BG3	BG4	BG5	SG2	SG3	SG4
Performance Package	P10S	Y	Y	Y	Y	Y	Y	Y	Y	Y	Y	Y	Y
	P15S	Y	Y	Y	Y	Y	Y	Y	Y	Y	Y	Y	Y
	P20S	Y	Y	Y	Y	Y	Y	Y	Y	Y	Y	Y	Y
	P20U	Y	Y	Y	N	N	Y	Y	Y	Y	Y	Y	Y
	P25S	Y	Y	Y	Y	Y	Y	Y	Y	Y	Y	Y	Y
	P25U	Y	Y	Y	N	N	Y	Y	Y	Y	Y	Y	Y
	P30S	Y	Y	Y	Y	Y	Y	Y	Y	Y	Y	Y	Y
	P30U	Y	Y	Y	N	N	Y	Y	Y	Y	Y	Y	Y
	P35S	Y	Y	Y	Y	Y	Y	Y	Y	Y	Y	Y	Y
	P40S	Y	Y	Y	Y	Y	Y	Y	Y	Y	Y	Y	Y
	P45S	Y	Y	Y	Y	Y	Y	Y	Y	Y	Y	Y	Y
	P50S	Y	Y	Y	Y	Y	Y	Y	Y	Y	Y	Y	Y
	P55S	Y	Y	Y	Y	Y	Y	Y	Y	Y	Y	Y	Y
	P60S	Y	Y	Y	Y	Y	Y	Y	Y	Y	Y	Y	Y
P65S	Y	Y	Y	Y	Y	Y	Y	Y	Y	Y	Y	Y	

**MARK APPROPRIATE BOX FOR TRIM OPTIONS**

	STANDARD	SHALLOW SKIRT	DEEP SKIRT
<b>TEARDROP GLASS</b> (Asymmetric)	<input type="checkbox"/>	<input type="checkbox"/>	<input type="checkbox"/>
<b>BOWL GLASS</b> (Asymmetric) (Symmetric)	<input type="checkbox"/>	<input type="checkbox"/>	<input type="checkbox"/>
<b>SAG GLASS</b> (Asymmetric) (Symmetric)	<input type="checkbox"/>	<input type="checkbox"/>	<input type="checkbox"/>
<b>FLAT GLASS</b> (Asymmetric) (Symmetric)	<input type="checkbox"/>	<input type="checkbox"/>	<input type="checkbox"/>

**SKIRT DIMENSIONS**



PERFORMANCE DATA. FOR SKIRT AND HOUSE SIDE SHIELD OPTIONS, CONSULT FACTORY OR WEBSITE.

LED Package	Glass / Optic	System Watts	27K (2700K, 70 CRI)					30K (3000K, 70 CRI)					40K (4000K, 70 CRI)					50K (5000K, 70 CRI)				
			Lumens	LPW	B	U	G	Lumens	LPW	B	U	G	Lumens	LPW	B	U	G	Lumens	LPW	B	U	G
P10S	TG2	44	6,013	137	1	3	3	6,490	148	2	3	3	6,609	150	2	3	3	6,705	152	2	3	3
	TG3		6,033	137	1	3	3	6,511	148	2	3	3	6,630	151	2	3	3	6,727	153	2	3	3
	TG4		5,671	129	1	3	3	6,121	139	1	3	3	6,233	142	1	3	3	6,324	144	1	3	3
	FG3		3,912	89	1	0	1	4,222	96	1	0	1	4,300	98	1	0	1	4,362	99	1	0	1
	FG5		3,846	87	2	0	1	4,150	94	2	0	1	4,227	96	2	0	1	4,288	97	2	0	1
	BG2		5,750	131	2	3	3	6,206	141	2	3	3	6,320	144	2	3	3	6,412	146	2	3	3
	BG3		5,692	129	2	3	3	6,143	140	2	3	4	6,256	142	2	3	4	6,347	144	2	3	4
	BG4		5,389	122	1	3	3	5,816	132	1	3	3	5,923	135	1	3	3	6,009	137	1	3	4
	BG5		6,004	136	3	3	3	6,480	147	3	3	3	6,599	150	3	3	3	6,695	152	3	3	3
	SG2		5,778	131	1	3	3	6,236	142	1	3	3	6,350	144	1	3	3	6,443	146	1	3	3
	SG3		5,773	131	1	3	3	6,231	142	1	3	3	6,346	144	1	3	3	6,438	146	1	3	3
	SG4		5,452	124	1	3	3	5,884	134	1	3	3	5,992	136	1	3	3	6,079	138	1	3	3
	SG5		6,041	137	3	3	2	6,520	148	3	3	2	6,640	151	3	3	2	6,737	153	3	3	2
P15S	TG2	54	7,487	139	2	3	3	8,080	150	2	3	3	8,229	152	2	3	3	8,348	155	2	3	3
	TG3		7,511	139	2	3	3	8,106	150	2	3	3	8,255	153	2	3	3	8,375	155	2	3	3
	TG4		7,061	131	1	3	3	7,621	141	2	3	3	7,761	144	2	3	3	7,874	146	2	3	3
	FG3		4,871	90	1	0	1	5,257	97	2	0	1	5,353	99	2	0	1	5,431	101	2	0	1
	FG5		4,788	89	2	0	1	5,167	96	2	0	1	5,262	97	2	0	1	5,339	99	2	0	1
	BG2		7,159	133	2	3	4	7,727	143	2	3	4	7,869	146	2	3	4	7,983	148	2	3	4
	BG3		7,086	131	2	3	4	7,648	142	2	3	4	7,789	144	2	3	4	7,902	146	2	3	4
	BG4		6,710	124	1	3	4	7,241	134	2	3	4	7,375	137	2	3	4	7,482	139	2	3	4
	BG5		7,475	138	3	3	3	8,068	149	3	3	3	8,216	152	3	3	3	8,335	154	3	3	3
	SG2		7,193	133	2	3	3	7,763	144	2	3	3	7,906	146	2	3	3	8,021	149	2	3	3
	SG3		7,188	133	2	3	3	7,758	144	2	3	3	7,900	146	2	3	3	8,015	148	2	3	3
	SG4		6,788	126	1	3	3	7,326	136	1	3	3	7,460	138	1	3	3	7,569	140	1	3	3
	SG5		7,522	139	3	3	2	8,118	150	3	3	2	8,267	153	3	3	2	8,387	155	3	3	2
P20S	TG2	73	10,290	141	2	3	3	11,106	152	2	3	3	11,310	155	2	3	3	11,474	157	2	3	3
	TG3		10,323	141	2	3	3	11,141	153	2	3	4	11,346	155	2	3	4	11,511	158	2	3	4
	TG4		9,705	133	2	3	3	10,474	143	2	3	3	10,667	146	2	3	3	10,822	148	2	3	3
	FG3		6,694	92	2	0	1	7,225	99	2	0	2	7,358	101	2	0	2	7,465	102	2	0	2
	FG5		6,581	90	2	0	1	7,102	97	2	0	1	7,233	99	2	0	1	7,338	101	2	0	1
	BG2		9,840	135	2	3	4	10,620	145	2	3	5	10,816	148	2	3	5	10,973	150	3	3	5
	BG3		9,740	133	2	3	5	10,512	144	2	3	5	10,705	147	2	3	5	10,861	149	2	3	5
	BG4		9,222	126	2	3	5	9,953	136	2	3	5	10,136	139	2	3	5	10,283	141	2	3	5
	BG5		10,274	141	3	3	4	11,089	152	3	3	4	11,293	155	4	3	4	11,457	157	4	3	4
	SG2		9,887	135	2	3	3	10,671	146	2	3	3	10,867	149	2	3	3	11,025	151	2	3	3
	SG3		9,879	135	2	3	3	10,662	146	2	3	4	10,859	149	2	3	4	11,016	151	2	3	4
	SG4		9,329	128	2	3	3	10,069	138	2	3	3	10,254	140	2	3	3	10,403	143	2	3	3
	SG5		10,338	142	3	3	3	11,158	153	3	3	3	11,363	156	4	3	3	11,528	158	4	3	3
P20U	TG2	94	12,937	138	2	5	3	13,962	149	2	5	3	14,219	151	2	5	3	14,426	153	2	5	3
	TG3		12,978	138	2	5	4	14,006	149	2	5	4	14,264	152	2	5	4	14,471	154	2	5	4
	TG4		12,201	130	2	5	3	13,168	140	2	5	4	13,410	143	2	5	4	13,605	145	2	5	4
	BG2		12,371	132	2	5	4	13,351	142	3	5	5	13,597	145	3	5	5	13,794	147	3	5	5
	BG3		12,245	130	2	5	5	13,216	141	2	5	5	13,459	143	2	5	5	13,654	145	2	5	5
	BG4		11,594	123	2	5	5	12,513	133	2	5	5	12,744	136	2	5	5	12,929	138	2	5	5
	BG5		12,917	137	3	5	4	13,941	148	4	5	4	14,198	151	4	5	4	14,404	153	4	5	4
	SG2		12,430	132	2	5	3	13,415	143	2	5	3	13,662	145	2	5	3	13,861	147	2	5	3
	SG3		12,421	132	2	5	4	13,405	143	2	5	4	13,652	145	2	5	4	13,850	147	2	5	4
	SG4		11,729	125	2	5	3	12,658	135	2	5	4	12,891	137	2	5	4	13,078	139	2	5	4
	SG5		12,997	138	3	5	3	14,028	149	4	5	3	14,286	152	4	5	3	14,493	154	4	5	3

PERFORMANCE DATA. FOR SKIRT AND HOUSE SIDE SHIELD OPTIONS, CONSULT FACTORY OR WEBSITE.

LED Package	Glass / Optic	System Watts	27K (2700K, 70 CRI)					30K (3000K, 70 CRI)					40K (4000K, 70 CRI)					50K (5000K, 70 CRI)				
			Lumens	LPW	B	U	G	Lumens	LPW	B	U	G	Lumens	LPW	B	U	G	Lumens	LPW	B	U	G
P25S	TG2	82	11,665	142	2	3	4	12,590	154	3	3	4	12,821	156	3	3	4	13,008	159	3	3	4
	TG3		11,703	143	2	3	4	12,630	154	2	3	4	12,862	157	3	3	4	13,049	159	3	3	4
	TG4		11,002	134	2	3	3	11,874	145	2	3	4	12,092	147	2	3	4	12,268	150	2	3	4
	FG3		7,589	93	2	0	2	8,190	100	2	0	2	8,341	102	2	0	2	8,462	103	2	0	2
	FG5		7,460	91	2	0	1	8,051	98	3	0	1	8,199	100	3	0	1	8,319	101	3	0	1
	BG2		11,155	136	3	3	5	12,039	147	3	3	5	12,261	150	3	3	5	12,439	152	3	3	5
	BG3		11,042	135	2	3	5	11,917	145	3	3	5	12,136	148	3	3	5	12,312	150	3	3	5
	BG4		10,454	127	2	3	5	11,283	138	2	3	5	11,491	140	2	3	5	11,658	142	2	3	5
	BG5		11,647	142	4	3	4	12,570	153	4	3	4	12,802	156	4	3	4	12,988	158	4	3	4
	SG2		11,208	137	2	3	3	12,096	148	2	3	4	12,319	150	2	3	4	12,498	152	2	3	4
	SG3		11,200	137	2	3	4	12,087	147	2	3	4	12,310	150	2	3	4	12,488	152	2	3	4
	SG4		10,576	129	2	3	4	11,414	139	2	3	4	11,624	142	2	3	4	11,793	144	2	3	4
SG5	11,720	143	4	3	3	12,649	154	4	3	3	12,881	157	4	3	3	13,069	159	4	3	3		
P25U	TG2	109	14,701	135	2	5	4	15,866	146	3	5	4	16,158	148	3	5	4	16,393	150	3	5	4
	TG3		14,747	135	2	5	4	15,916	146	3	5	4	16,209	149	3	5	4	16,445	151	3	5	4
	TG4		13,865	127	2	5	4	14,964	137	2	5	4	15,239	140	2	5	4	15,460	142	2	5	4
	BG2		14,058	129	3	5	5	15,172	139	3	5	5	15,451	142	3	5	5	15,675	144	3	5	5
	BG3		13,915	128	3	5	5	15,018	138	3	5	5	15,294	140	3	5	5	15,516	142	3	5	5
	BG4		13,176	121	2	5	5	14,220	130	2	5	5	14,481	133	2	5	5	14,692	135	2	5	5
	BG5		14,679	135	4	5	4	15,842	145	4	5	4	16,134	148	4	5	4	16,368	150	4	5	4
	SG2		14,125	130	2	5	4	15,245	140	2	5	4	15,525	142	2	5	4	15,751	145	2	5	4
	SG3		14,115	129	2	5	4	15,233	140	2	5	4	15,514	142	2	5	4	15,739	144	2	5	4
	SG4		13,328	122	2	5	4	14,384	132	2	5	4	14,649	134	2	5	4	14,862	136	2	5	4
	SG5		14,770	136	4	5	3	15,941	146	4	5	3	16,234	149	4	5	3	16,470	151	4	5	3
	P30S		TG2	92	12,968	141	3	3	4	13,996	152	3	3	4	14,254	155	3	3	4	14,461	157	3
TG3		13,010	141		3	3	4	14,041	153	3	3	4	14,300	155	3	3	4	14,507	158	3	3	4
TG4		12,231	133		2	3	4	13,201	143	2	3	4	13,443	146	2	3	4	13,639	148	2	3	4
FG3		8,437	92		2	0	2	9,106	99	2	0	2	9,273	101	2	0	2	9,408	102	2	0	2
FG5		8,294	90		3	0	1	8,951	97	3	0	1	9,116	99	3	0	1	9,248	101	3	0	2
BG2		12,402	135		3	3	5	13,385	145	3	3	5	13,631	148	3	3	5	13,829	150	3	3	5
BG3		12,275	133		3	3	5	13,248	144	3	3	5	13,492	147	3	3	5	13,688	149	3	3	5
BG4		11,623	126		2	3	5	12,544	136	2	3	5	12,774	139	2	3	5	12,960	141	2	3	5
BG5		12,949	141		4	3	4	13,975	152	4	3	4	14,232	155	4	3	4	14,439	157	4	3	4
SG2		12,460	135		2	3	4	13,448	146	2	3	4	13,695	149	2	3	4	13,894	151	2	3	4
SG3		12,451	135		2	3	4	13,438	146	2	3	4	13,685	149	2	3	4	13,884	151	3	3	4
SG4		11,758	128		2	3	4	12,690	138	2	3	4	12,923	140	2	3	4	13,111	143	2	3	4
SG5	13,029	142	4	3	3	14,062	153	4	3	3	14,321	156	4	3	3	14,529	158	4	3	3		
P30U	TG2	122	16,481	135	3	5	4	17,787	146	3	5	4	18,115	148	3	5	4	18,378	151	3	5	4
	TG3		16,533	136	3	5	4	17,843	146	3	5	4	18,172	149	3	5	5	18,436	151	3	5	5
	TG4		15,543	127	2	5	4	16,775	138	2	5	4	17,084	140	2	5	4	17,332	142	2	5	4
	BG2		15,760	129	3	5	5	17,009	139	3	5	5	17,322	142	3	5	5	17,573	144	3	5	5
	BG3		15,600	128	3	5	5	16,836	138	3	5	5	17,146	141	3	5	5	17,395	143	3	5	5
	BG4		14,771	121	2	5	5	15,942	131	2	5	5	16,235	133	2	5	5	16,471	135	3	5	5
	BG5		16,456	135	4	5	4	17,760	146	4	5	5	18,087	148	4	5	5	18,350	150	4	5	5
	SG2		15,836	130	2	5	4	17,091	140	3	5	4	17,405	143	3	5	4	17,658	145	3	5	4
	SG3		15,824	130	2	5	4	17,078	140	3	5	4	17,392	143	3	5	4	17,645	145	3	5	4
	SG4		14,942	122	2	5	4	16,126	132	2	5	4	16,423	135	2	5	4	16,661	137	2	5	4
	SG5		16,558	136	4	5	3	17,871	146	4	5	3	18,199	149	4	5	3	18,464	151	4	5	3

PERFORMANCE DATA. FOR SKIRT AND HOUSE SIDE SHIELD OPTIONS, CONSULT FACTORY OR WEBSITE.

LED Package	Glass / Optic	System Watts	27K (2700K, 70 CRI)					30K (3000K, 70 CRI)					40K (4000K, 70 CRI)					50K (5000K, 70 CRI)				
			Lumens	LPW	B	U	G	Lumens	LPW	B	U	G	Lumens	LPW	B	U	G	Lumens	LPW	B	U	G
P355	112	TG2	15,526	139	3	3	4	16,757	150	3	3	4	17,065	152	3	3	4	17,313	155	3	3	4
		TG3	15,576	139	3	3	4	16,810	150	3	3	5	17,120	153	3	3	5	17,368	155	3	3	5
		TG4	14,643	131	3	3	4	15,804	141	3	3	4	16,095	144	3	3	4	16,328	146	3	3	4
		FG3	10,101	90	3	0	2	10,901	97	3	0	2	11,102	99	3	0	2	11,263	101	3	0	2
		FG5	9,929	89	3	0	2	10,716	96	3	0	2	10,913	97	3	0	2	11,072	99	3	0	2
		BG2	14,847	133	3	3	5	16,024	143	3	3	5	16,319	146	3	3	5	16,556	148	3	3	5
		BG3	14,696	131	3	3	5	15,861	142	3	4	5	16,153	144	3	4	5	16,388	146	3	4	5
		BG4	13,915	124	2	3	5	15,018	134	3	3	5	15,294	137	3	3	5	15,516	139	3	3	5
		BG5	15,502	138	4	3	5	16,731	149	4	3	5	17,039	152	4	3	5	17,286	154	4	3	5
		SG2	14,918	133	3	3	4	16,100	144	3	3	4	16,396	146	3	3	4	16,634	149	3	3	4
		SG3	14,906	133	3	3	4	16,088	144	3	3	5	16,384	146	3	3	5	16,622	148	3	3	5
		SG4	14,076	126	2	3	4	15,192	136	2	3	4	15,472	138	2	3	4	15,696	140	2	3	4
SG5	15,599	139	4	3	3	16,835	150	4	3	3	17,145	153	4	3	3	17,394	155	4	3	3		
P405	132	TG2	18,148	137	3	3	5	19,586	148	3	3	5	19,947	151	3	3	5	20,236	153	3	3	5
		TG3	18,206	138	3	3	5	19,649	149	3	3	5	20,011	152	3	3	5	20,301	154	3	3	5
		TG4	17,116	130	3	3	4	18,473	140	3	3	5	18,812	143	3	3	5	19,086	145	3	3	5
		FG3	11,806	89	3	0	2	12,742	97	3	0	2	12,977	98	3	0	2	13,165	100	3	0	2
		FG5	11,606	88	3	0	2	12,526	95	3	0	2	12,756	97	3	0	2	12,941	98	3	0	2
		BG2	17,355	131	3	4	5	18,730	142	3	4	5	19,075	145	3	4	5	19,352	147	3	4	5
		BG3	17,178	130	3	4	5	18,539	140	3	4	5	18,880	143	3	4	5	19,155	145	3	4	5
		BG4	16,264	123	3	3	5	17,553	133	3	4	5	17,876	135	3	4	5	18,136	137	3	4	5
		BG5	18,120	137	4	3	5	19,556	148	4	3	5	19,916	151	4	4	5	20,205	153	4	4	5
		SG2	17,437	132	3	3	5	18,819	143	3	3	5	19,165	145	3	3	5	19,443	147	3	3	5
		SG3	17,424	132	3	3	5	18,805	142	3	3	5	19,151	145	3	3	5	19,429	147	3	3	5
		SG4	16,453	125	2	3	5	17,758	135	3	3	5	18,084	137	3	3	5	18,347	139	3	3	5
SG5	18,233	138	4	3	3	19,678	149	4	3	3	20,040	152	4	3	3	20,331	154	4	3	3		
P455	153	TG2	20,508	134	3	3	5	22,134	145	3	3	5	22,541	147	3	3	5	22,868	149	3	3	5
		TG3	20,574	134	3	3	5	22,205	145	3	3	5	22,613	148	3	3	5	22,942	150	3	3	5
		TG4	19,342	126	3	3	5	20,875	136	3	3	5	21,259	139	3	3	5	21,568	141	3	3	5
		FG3	13,342	87	3	0	2	14,399	94	3	0	3	14,664	96	3	0	3	14,877	97	3	0	3
		FG5	13,115	86	3	0	2	14,155	93	3	0	2	14,415	94	3	0	2	14,625	96	3	0	2
		BG2	19,612	128	3	4	5	21,166	138	3	4	5	21,555	141	3	4	5	21,869	143	3	4	5
		BG3	19,412	127	3	4	5	20,951	137	3	4	5	21,336	139	3	4	5	21,646	141	3	4	5
		BG4	18,380	120	3	4	5	19,836	130	3	4	5	20,201	132	3	4	5	20,495	134	3	4	5
		BG5	20,477	134	4	4	5	22,100	144	4	4	5	22,506	147	5	4	5	22,833	149	5	4	5
		SG2	19,705	129	3	3	5	21,266	139	3	3	5	21,658	142	3	3	5	21,972	144	3	3	5
		SG3	19,690	129	3	3	5	21,250	139	3	3	5	21,641	141	3	3	5	21,956	144	3	3	5
		SG4	18,593	122	3	3	5	20,067	131	3	3	5	20,436	134	3	3	5	20,733	136	3	3	5
SG5	20,604	135	4	3	3	22,238	145	4	3	3	22,647	148	5	3	3	22,976	150	5	3	4		
P505	173	TG2	22,698	131	3	3	5	24,497	142	3	3	5	24,948	144	3	4	5	25,310	146	3	4	5
		TG3	22,771	132	3	3	5	24,576	142	3	3	5	25,028	145	3	3	5	25,392	147	3	4	5
		TG4	21,408	124	3	3	5	23,104	134	3	3	5	23,529	136	3	3	5	23,871	138	3	3	5
		FG3	14,767	85	3	0	3	15,937	92	3	0	3	16,230	94	3	0	3	16,466	95	3	0	3
		FG5	14,516	84	3	0	2	15,666	91	3	0	2	15,955	92	3	0	2	16,186	94	3	0	2
		BG2	21,706	125	3	4	5	23,426	135	3	4	5	23,857	138	3	4	5	24,204	140	3	4	5
		BG3	21,485	124	3	4	5	23,188	134	3	4	5	23,615	137	3	4	5	23,958	138	3	4	5
		BG4	20,342	118	3	4	5	21,955	127	3	4	5	22,359	129	3	4	5	22,684	131	3	4	5
		BG5	22,663	131	5	4	5	24,460	141	5	4	5	24,910	144	5	4	5	25,272	146	5	4	5
		SG2	21,809	126	3	3	5	23,537	136	3	3	5	23,970	139	3	3	5	24,319	141	3	3	5
		SG3	21,792	126	3	3	5	23,520	136	3	3	5	23,952	138	3	3	5	24,300	140	3	3	5
		SG4	20,579	119	3	3	5	22,210	128	3	3	5	22,619	131	3	3	5	22,947	133	3	3	5
SG5	22,805	132	5	3	4	24,612	142	5	3	4	25,065	145	5	3	4	25,429	147	5	3	4		



PERFORMANCE DATA. FOR SKIRT AND HOUSE SIDE SHIELD OPTIONS, CONSULT FACTORY OR WEBSITE.

LED Package	Glass / Optic	System Watts	27K (2700K, 70 CRI)					30K (3000K, 70 CRI)					40K (4000K, 70 CRI)					50K (5000K, 70 CRI)				
			Lumens	LPW	B	U	G	Lumens	LPW	B	U	G	Lumens	LPW	B	U	G	Lumens	LPW	B	U	G
P555	193	TG2	24,807	129	3	3	5	26,773	139	3	4	5	27,266	141	3	4	5	27,662	143	3	4	5
		TG3	24,887	129	3	3	5	26,859	139	3	4	5	27,353	142	3	4	5	27,751	144	3	4	5
		TG4	23,397	121	3	3	5	25,251	131	3	3	5	25,716	133	3	3	5	26,089	135	3	4	5
		FG3	16,139	84	3	0	3	17,418	90	3	0	3	17,738	92	3	0	3	17,996	93	3	0	3
		FG5	15,865	82	3	0	2	17,122	89	3	0	2	17,437	90	3	0	2	17,690	92	3	0	2
		BG2	23,723	123	3	4	5	25,603	133	3	4	5	26,074	135	3	4	5	26,453	137	3	4	5
		BG3	23,481	122	3	4	5	25,342	131	3	4	5	25,809	134	3	4	5	26,184	136	3	4	5
		BG4	22,232	115	3	4	5	23,995	124	3	4	5	24,436	127	3	4	5	24,791	128	3	4	5
		BG5	24,769	128	5	4	5	26,732	139	5	4	5	27,224	141	5	4	5	27,620	143	5	4	5
		SG2	23,835	123	3	3	5	25,724	133	3	3	5	26,198	136	3	3	5	26,578	138	3	3	5
		SG3	23,817	123	3	3	5	25,705	133	3	3	5	26,178	136	3	3	5	26,558	138	3	3	5
		SG4	22,491	117	3	3	5	24,274	126	3	3	5	24,720	128	3	3	5	25,079	130	3	3	5
		SG5	24,924	129	5	3	4	26,899	139	5	3	4	27,394	142	5	3	4	27,792	144	5	3	4
		P605	215	TG2	27,208	127	3	4	5	29,364	137	3	4	5	29,905	139	3	4	5	30,339	141	3
TG3	27,295			127	3	4	5	29,459	137	3	4	5	30,001	140	3	4	5	30,437	142	3	4	5
TG4	25,661			119	3	3	5	27,695	129	3	4	5	28,204	131	3	4	5	28,614	133	3	4	5
FG3	17,701			82	3	0	3	19,104	89	3	0	3	19,455	90	3	0	3	19,738	92	3	0	3
FG5	17,400			81	3	0	2	18,779	87	4	0	2	19,124	89	4	0	2	19,402	90	4	0	2
BG2	26,019			121	3	4	5	28,081	131	4	4	5	28,597	133	4	4	5	29,013	135	4	4	5
BG3	25,754			120	3	4	5	27,795	129	4	4	5	28,306	132	4	4	5	28,718	134	4	4	5
BG4	24,384			113	3	4	5	26,317	122	3	4	5	26,801	125	3	4	5	27,190	126	3	4	5
BG5	27,166			126	5	4	5	29,319	136	5	4	5	29,859	139	5	4	5	30,293	141	5	4	5
SG2	26,142			122	3	3	5	28,214	131	3	3	5	28,733	134	3	3	5	29,150	136	3	3	5
SG3	26,122			121	3	3	5	28,193	131	3	3	5	28,711	134	3	3	5	29,128	135	3	3	5
SG4	24,668			115	3	3	5	26,623	124	3	3	5	27,113	126	3	3	5	27,506	128	3	3	5
SG5	27,336			127	5	3	4	29,502	137	5	3	4	30,045	140	5	3	4	30,481	142	5	3	4
P655	247			TG2	30,354	123	3	4	5	32,760	133	4	4	5	33,363	135	4	4	5	33,848	137	4
		TG3	30,452	123	3	4	5	32,866	133	4	4	5	33,470	136	4	4	5	33,956	137	4	4	5
		TG4	28,629	116	3	4	5	30,898	125	3	4	5	31,466	127	3	4	5	31,923	129	3	4	5
		FG3	19,748	80	3	0	3	21,313	86	3	0	3	21,705	88	3	0	3	22,020	89	3	0	3
		FG5	19,412	79	4	0	2	20,951	85	4	0	3	21,336	86	4	0	3	21,646	88	4	0	3
		BG2	29,028	118	4	4	5	31,328	127	4	4	5	31,905	129	4	4	5	32,368	131	4	4	5
		BG3	28,732	116	4	4	5	31,009	126	4	5	5	31,580	128	4	5	5	32,039	130	4	5	5
		BG4	27,204	110	3	4	5	29,360	119	3	4	5	29,900	121	3	4	5	30,335	123	3	4	5
		BG5	30,308	123	5	4	5	32,710	132	5	4	5	33,312	135	5	4	5	33,796	137	5	4	5
		SG2	29,165	118	3	3	5	31,477	127	3	3	5	32,056	130	3	4	5	32,522	132	3	4	5
		SG3	29,143	118	3	3	5	31,453	127	3	4	5	32,032	130	3	4	5	32,497	132	3	4	5
		SG4	27,520	111	3	3	5	29,702	120	3	3	5	30,248	122	3	3	5	30,688	124	3	3	5
		SG5	30,497	123	5	3	4	32,914	133	5	3	4	33,520	136	5	3	4	34,007	138	5	3	4

**LUMEN AMBIENT TEMPERATURE (LAT) MULTIPLIERS**

Use the factors to determine relative lumen output for average ambient temperatures from 0-40°C (32-104°F)

Ambient Temp.		Lumen Multiplier (by Performance Package)			
°C	°F	P10S, P15S, P20S, P20U, P25S, P25U, P30S, P30U, P35S, P40S, P45S & P50S	P55S	P60S	P65S
0	32	1.03	1.04	1.04	1.04
5	41	1.03	1.03	1.03	1.04
10	50	1.02	1.02	1.03	1.03
15	59	1.01	1.02	1.02	1.02
20	68	1.01	1.01	1.01	1.01
25	77	1.00	1.00	1.00	1.00
30	86	0.99	0.99	0.99	0.99
35	95	0.99	0.98	0.98	0.98
40	104	0.98	0.97	0.97	0.97

**PROJECTED LED LUMEN MAINTENANCE**

Data references the extrapolated performance projections for the platforms noted in 25°C ambient, based on 6,000 hours of LED testing (tested per IESNA LM-80-08 and projected per IESNA TM-21-11). To calculate LLF, use the lumen maintenance factor that corresponds to the desired number of operating hours below. For other lumen maintenance values, contact factory.

		Lumen Maintenance - LLD (by Performance Package)							
Hours		0	25,000	36,000	50,000	60,000	67,500	75,000	100,000
Factor for:	P10S, P15S, P20S, P20U, P25S, P25U, P30S, P30U, P35S, P40S, P45S & P50S	1.00	0.95	0.94	0.91	0.90	0.89	0.88	0.84
	P55S	1.00	0.95	0.93	0.91	0.90	0.89	0.87	0.84
	P60S & P65S	1.00	0.95	0.93	0.90	0.89	0.87	0.86	0.82

**FIELD ADJUSTABLE OUTPUT (AO option)**

The data is the same for MVOLT & HVOLT.

Performance Package	FAO Position	% Lumen Output	% Wattage	Performance Package	FAO Position	% Lumen Output	% Wattage	Performance Package	FAO Position	% Lumen Output	% Wattage
P10S	8	100%	100%	P25U	8	100%	100%	P45S	8	100%	100%
	7	94%	94%		7	94%	94%		7	95%	94%
	6	80%	80%		6	81%	80%		6	82%	79%
	5	68%	68%		5	69%	68%		5	71%	67%
	4	55%	55%		4	56%	54%		4	58%	54%
	3	41%	42%		3	43%	41%		3	45%	41%
	2	28%	29%		2	30%	29%		2	31%	28%
	1	13%	15%		1	15%	15%		1	16%	14%
P15S	8	100%	100%	P30S	8	100%	100%	P50S	8	100%	100%
	7	94%	94%		7	94%	94%		7	95%	94%
	6	80%	80%		6	81%	80%		6	82%	79%
	5	68%	68%		5	69%	67%		5	71%	67%
	4	55%	55%		4	56%	54%		4	59%	54%
	3	42%	42%		3	43%	41%		3	45%	41%
	2	28%	29%		2	30%	28%		2	32%	28%
	1	14%	15%		1	15%	15%		1	16%	14%
P20S	8	100%	100%	P30U	8	100%	100%	P55S	8	100%	100%
	7	94%	94%		7	94%	94%		7	95%	94%
	6	81%	80%		6	81%	80%		6	83%	79%
	5	69%	68%		5	70%	67%		5	72%	67%
	4	56%	54%		4	57%	54%		4	59%	54%
	3	42%	41%		3	44%	41%		3	46%	41%
	2	29%	29%		2	30%	29%		2	32%	28%
	1	14%	15%		1	15%	15%		1	17%	14%
P20U	8	100%	100%	P35S	8	100%	100%	P60S	8	100%	100%
	7	94%	94%		7	94%	94%		7	95%	94%
	6	81%	80%		6	81%	79%		6	83%	79%
	5	69%	68%		5	70%	67%		5	72%	67%
	4	56%	55%		4	57%	54%		4	60%	54%
	3	43%	42%		3	44%	41%		3	47%	41%
	2	29%	29%		2	30%	28%		2	33%	28%
	1	15%	15%		1	15%	15%		1	17%	14%
P25S	8	100%	100%	P40S	8	100%	100%	P65S	8	100%	100%
	7	94%	94%		7	95%	94%		7	95%	94%
	6	81%	80%		6	82%	79%		6	84%	79%
	5	69%	67%		5	70%	67%		5	73%	67%
	4	56%	54%		4	57%	54%		4	61%	53%
	3	43%	41%		3	44%	41%		3	48%	40%
	2	29%	28%		2	31%	28%		2	33%	28%
	1	15%	15%		1	16%	15%		1	18%	14%