



Catalog Number
Notes
Type

Contractor Select™

# QC4/QC4R/QC6

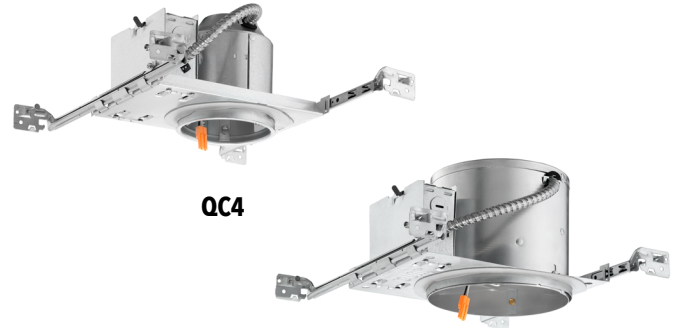
## 4" & 6" Quick Connect Housings for LED Retrofit Trims

The Juno 4" and 6" quick connect housings feature a non-screw base 120V plug-in orange connector for simple installation of retrofit LED trim modules for an economical LED downlight solution. The IC-rated shallow housings can fit in a 2 x 6 construction and can be completely covered with insulation. The fixture with pre-installed gasket option is Air-Loc® sealed to stop infiltration and exfiltration of air, reducing heating and cooling costs. Available in both new construction or remodel style housings.

### FEATURES:

Easy installation and serviceability

- Features non-screw base 120V plug-in quick connector
- Compatible with Juno and Lithonia retrofit LED trim modules
- Low profile LED downlight less than 6" in height
- Easy to handle compact size weighing less than 3lbs
- Can be used to comply with Title 24, JA8 high efficacy light source requirements



QC4

QC6



QC4R



CI Code	Catalog Number	UPC	Description	Socket	Voltage	Pallet qty
*277E1P	QC4 J6	00196182645167	4" New Construction IC Housing	Quick Connect (No Socket)	120V	168
*277E3V	QC4 W J6	00196182645716	4" New Construction IC Housing with push in connectors	Quick Connect (No Socket)	120V	96
*277E5R	QC4 W G J6	00196182646263	4" New Construction IC Housing with push in connectors and gasket	Quick Connect (No Socket)	120V	168
*277E5X	QC4R W G J6	00196182646355	4" Remodel IC Housing with push in connectors and gasket	Quick Connect (No Socket)	120V	270
*277E7S	QC6 J6	00196182646829	6" New Construction IC Housing	Quick Connect (No Socket)	120V	144
*277E8F	QC6 W J6	00196182646966	6" New Construction IC Housing with push in connectors	Quick Connect (No Socket)	120V	144
*277E8J	QC6 W G J6	00196182647000	6" New Construction IC Housing with push in connectors and gasket	Quick Connect (No Socket)	120V	144

<b>Accessories:</b> Order as separate catalog number.	
QCHSGWHIP R10	Socket whip for temporary lighting retail pack of 10





## Specifications

### ELECTRONIC CONNECTIONS:

Features non-screw base 120V plug-in connector • Compatible with Juno and Lithonia retrofit LED trim modules.

### LABELS:

U.L. listed for U.S. and Canada for through-branch wiring and damp locations • Meets high efficacy requirements of California T24.

### TESTING:

All reports are based on published industry procedures; field performance may differ from laboratory performance.

### REAL NAIL® BAR HANGERS (NEW CONSTRUCTION HOUSINGS ONLY):

Telescoping, Real Nail® 3 system covered under US Patent D552,969 permits quick placement of housing anywhere within 24" O.C. joists or suspended ceilings • Integral T-bar notch and clip secures housing in suspended ceiling grid – no accessory clips required • 24" expansion stop allows quick placement of fixture in standard grid spacing • Bars scored in two locations for fast, clean breaking, allowing housing installation in tight applications • Bars captive to mounting frame • Edgemounted for extra strength • Reversible bar hangers may be installed either parallel to the junction box or repositioned 90° to be perpendicular to the junction box • Captive bugle-headed ring shank nail for quick one-step installation and easy removal with claw hammer for fixture relocation • Quick-Loc slot and oversized locking set screw lock fixture in position • Bar hanger foot contoured to align to bottom of construction joist • Alternate mounting holes included.

### JUNCTION BOX:

Pre-wired junction box provided with (6) 1/2" ((5) 1/2" for remodel version) and (1) 3/4" knockouts (new construction only, not remodel), (4) Non-metallic sheathed cable connectors and ground wire, U.L. listed/CSA certified for through-branch wiring, New Construction: maximum 8 No. 12 AWG 90°C branch circuit conductors (4 in, 4 out); Remodel: maximum 4 No. 12 AWG 90°C branch circuit conductors (2 in, 2 out) • Junction box provided with removable access plates • Knockouts equipped with pryout slots. Optional push-in electrical connectors for fast, secure wiring when ordering W (push in connector) option.

### MOUNTING FRAME (NEW CONSTRUCTION HOUSINGS ONLY):

22-gauge die-formed galvanized steel mounting frame • Rough-in section (junction box, mounting frame, housing and bar hangers) fully assembled for ease of installation. Optional pre-installed Air-Loc gasket applied to frame, when ordering G (gasket) option.

### HOUSING:

IC rated housing designed for use in IC (insulated ceiling) or non-IC construction. Galvanized steel or aluminum housing depending on model.

New construction housings are vertically adjustable to accommodate different ceiling thicknesses. Remodel housings are provided with factory installed remodel springs to secure the housing in place through an opening in the ceiling from below.

### WARRANTY:

1-year limited warranty. This is the only warranty provided and no other statements in this specification sheet create any warranty of any kind. All other express and implied warranties are disclaimed. Complete warranty terms located at: [www.acuitybrands.com/support/warranty/terms-and-conditions](http://www.acuitybrands.com/support/warranty/terms-and-conditions)

**Note:** Actual performance may differ as a result of end-user environment and application. All values are design or typical values, measured under laboratory conditions at 25 °C. Specifications subject to change without notice.

## Dimensions

