

250 WATT
EMERGENCY POWER

CERTIFIED IN
TITLE 20
Appliance Efficiency Database
Battery Charger

DR DIMMING RELAY

QUALIFIED TO
NEMA 410
STANDARDS

IR IN RUSH
CAPABILITY



MODEL NO: _____

TYPE: _____

PROJECT: _____

COMMENTS: _____

LOAD CAPABILITY

250 Watts

FIXTURE TYPES

LED
Fluorescent
Incandescent

DESCRIPTION

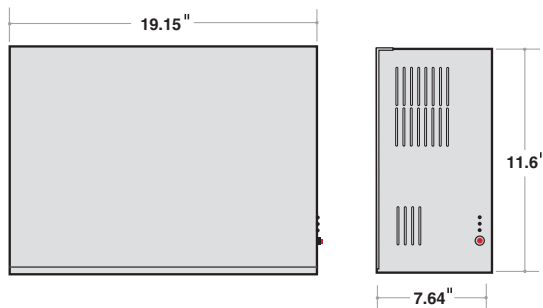
The IOTA **IIS 250 HE DR** is a UL Listed stand-alone modified sine wave output inverter designed to provide power to designated emergency lighting fixtures. In a power loss situation, the IOTA **IIS 250 HE DR** will supply **250 watts** of emergency power from the onboard battery supply. The IOTA **IIS 250 HE DR** works in conjunction with incandescent, LED, and fluorescent lamp and fixture types and will automatically run switched, normally-on, or normally-off designated emergency fixtures. The **IIS 250 HE DR** is ideal for applications requiring an emergency source for lighting arrangements that utilize multiple lamp and fixture types. The IOTA **IIS 250 HE DR** features increased inrush capability to prevent shut-down caused by inrush currents, allowing operation of loads at the full rated output of the unit with no need for circuit de-rating. The **IIS 250 HE DR** is designed for high-efficiency performance and is certified in the CA Title 20 Appliance Efficiency Database. The **IIS 250 HE DR** also features dimming relay leads to accommodate 0-10V dimming applications. The **IIS 250 HE DR** is available in a surface mount housing and comes with a three-year warranty and seven-year pro-rata battery warranty.

SPECIFICATIONS

| | |
|--|--|
| Input Voltage | (Universal, 2-wire) 120-277V, 60Hz |
| Input Rating (bulk) | 305 Watts |
| Output Voltage | (auto-detect) 120/277V, 60Hz |
| Output Power | 250 Watts (@ .9 leading to .9 lagging PF) |
| Lamps Operated | LED (per NEMA 410), Fluorescent, Incandescent |
| Transfer Time | less than 1 second |
| Surge Protection | Meets ANSI/IEEE C62.41.2-2002 |
| Emergency Operation | 90 minutes |
| Frequency Regulation (emergency) | +/- 3% |
| Load Power Factor Range | .9 leading to .9 lagging |
| Operating Temp | 20° to 30° C |
| Battery | Valve Regulated Lead Acid (VRLA) |
| Weight | 65.5 lbs. |
| Certifications | UL 924 Listed for use in U.S. and Canada CSA C22.2 No 141 CA T20 Appliance Efficiency Database |



DIMENSIONS



Product Advantages

- **High Efficiency Performance meets CA T20 battery charger efficiency standards**
- **Operates loads to its fully-rated capacity. Inrush capability eliminates need for circuit de-rating.**
- **Full light output in the emergency mode**
- **Dimming Relay for 0-10V dimming applications**

FEATURES

- Operates incandescent, LED, and fluorescent fixtures
- Includes dual-purpose momentary contact test switch and red charging indicator
- Universal Input voltage 120-277 60Hz
- High efficiency modified sine wave inverter
- Variable-rate, high-efficiency charger
- Valve Regulated Lead Acid (VRLA) battery provides long life and is maintenance free
- Line voltage allows for remote mounting of emergency fixtures at distances up to 1000 feet
- Low Battery Voltage Disconnect and Line Latch Protection
- Allows for emergency operation of switched or unswitched fixtures
- Meets or exceeds all National Electrical Code and Life Safety Code Emergency Lighting Requirements
- Durable 16-gauge steel housing design with white semi-gloss powder-coat paint finish
- RoHS Compliant
- 3/7 Pro-Rata Warranty



IIS 250 HE DR

250W SURFACE MOUNT UNIT HIGH-EFFICIENCY INVERTER SYSTEM

ORDERING GUIDE

- IIS 250 HE DR

COMPONENTS

- High-efficiency modified sine wave inverter
- Variable-rate, high-efficiency charger
- 12V maintenance-free Valve Regulated Lead Acid (VRLA) battery

CONSTRUCTION

- 16-gauge steel housing

IIS 250 HE DR SAMPLE SPECIFICATION

Emergency lighting shall be provided by inverter unit equipment designed to operate designated fluorescent, incandescent, and LED fixtures on emergency power at their full nominal lumen rating during the full 90 minute emergency discharge cycle. System output will be rated at 250 watts for 90 minutes. The system's voltage rating shall be universal input 120-277Vac with auto-detecting 120 or 277 VAC output.

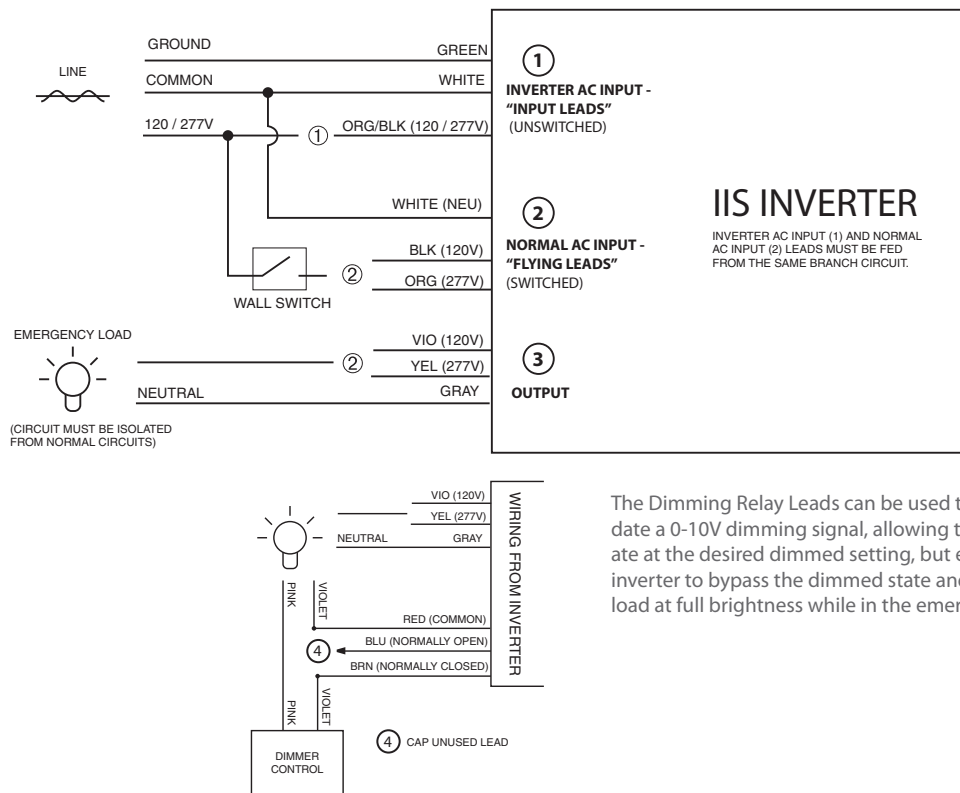
The inverter unit shall allow for connected emergency fixture(s) to be normally on, normally off, switched or dimmed without affecting lamp operation during a power failure. Upon utility power loss, the inverter unit shall operate the load at 100% of its full rated output regardless of the local switch position, and will provide power to emergency fixtures at distances of up to 1000 feet.

The housing shall be designed for surface mount installation requirements and manufactured using 16-gauge steel with a white hammer semi-gloss scratch-resistant baked-on powder coat paint finish.

The unit's electronics shall include inverter circuitry with a fully automatic battery charging circuit shall monitor and adjust the input power consumption and be certified in the CA Title 20 Modernized Appliance Efficiency Database System (MAEDBS) as a small battery charger. The unit shall also include dimming relay for 0-10V dimming leads, an AC lockout feature, low battery voltage disconnect, short circuit and brownout protection as standard. The unit shall utilize a sealed lead calcium battery with a 10-year design life. The inverter system shall be UL 924 Listed and labeled for use in United States or Canada. The unit shall be covered under a 3-year warranty on the electronics and battery and a 7-year pro-rata warranty on the battery. It shall meet or exceed the requirements of UL 924, NFPA 101 Life Safety Code, NFPA 70 National Electrical Code, OSHA and State and Local codes.

The inverter unit shall be IOTA model **IIS 250 HE DR**.

TYPICAL WIRING



The Dimming Relay Leads can be used to accommodate a 0-10V dimming signal, allowing the load to operate at the desired dimmed setting, but enabling the inverter to bypass the dimmed state and operate the load at full brightness while in the emergency mode.

Warranty: 3-Year Limited Warranty

Complete warranty terms located at www.acuitybrands.com/CustomerResources/Terms_and_conditions.aspx