



## Trac-Master® Narrow Profile LED Wall Wash Track Fixture

Intense, evenly distributed light with full-wall coverage

**JUNO**®

# End-to-End Light

Intense, evenly distributed light with full-wall coverage makes the new Juno Trac wall wash fixture the ideal choice wherever a wide, uniform spread is desired to enhance an accent wall, signage, product display or any focal point on the room perimeter.

## Power Ranger

Match lighting performance to the size of the space and desired effect with a choice of 7 lumen packages. Blast the room perimeter for visual impact or dim it to your preference to create a more balanced space.

## Features:

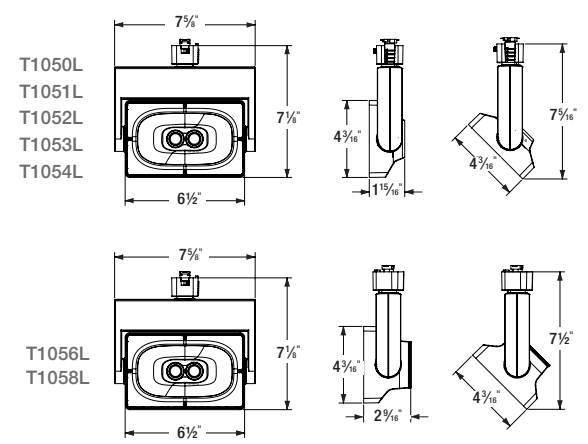
- Narrow and compact design reduces visual clutter at the ceiling and blends in with any environment
- Integral driver design and concealed wiring provides a clean, non-invasive appearance
- Patented, hyperbolic reflector design creates wide, uniform, low glare illumination
- Lightweight, but robust, die cast aluminum construction is designed to maintain a consistent center of gravity, regardless of aiming
- Vertical aiming lock screws and aiming scales for precise, secure fixture aiming
- 2700K, 3000K, 3500K or 4000K white phosphor high-performance LEDs
- 80 CRI minimum standard, optional high CRI versions offer 90 CRI minimum
- Highly efficient design provides efficacy of up to 148 lumens per watt
- Delivers minimum 70% lumen maintenance at 50,000 hours operating life
- Standard dimmable using high-quality, factory-approved dimmers – see specifications
- Available in black, white or silver finishes
- Designed and assembled in the U.S.A.
- 5-year warranty from date of purchase
- Winner of 2023 SSL Product Innovation Awards, AP Product Innovation Awards, and LIT Lighting Design Awards
- Nominee for 2024 Consulting-Specifying Engineer's Product of the Year Awards



## Finishes



## Dimensions



## Accessories



Clear Lens or Diffusion Lens    Hexagonal Cell Louver    Eyebrow / Visor    Snoot    Barn Doors







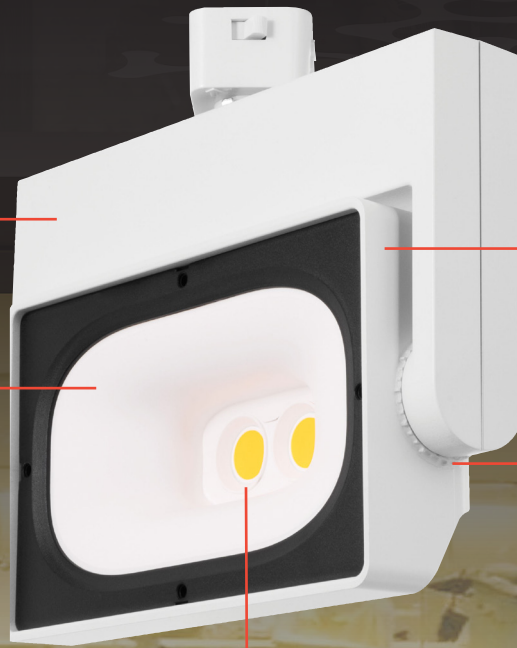
**Integrated compact LED driver housing** – Driver is assembled in a slim profile housing mounted parallel to the track providing minimized overall footprint

**Custom hyperbolic reflector** creates a smooth, wide beam pattern and enables deep LED regression for maximum visual comfort

**Advanced LED light engine** – Features two high-efficiency LEDs per fixture, providing excellent performance, color quality/consistency, and reliability in multiple CCTs and CRIs

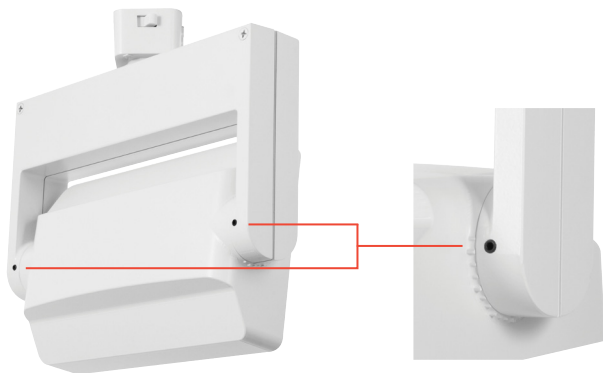
**Slim Profile housing** – Features robust cast aluminum construction in white, black, or silver finishes and offers concealed wiring for a clean aesthetic; integrates visually with Juno LED accent spotlights

Features 360° horizontal rotation and 90° vertical aiming with aiming scales and locking set screws



## Low Key

Juno's slim, non-invasive design maintains a discreet presence. Minimal aperture brightness fights glare, improving user comfort. Impeccably designed center of gravity maintains perfect balance regardless of fixture aiming. Fixtures can even be aimed straight down to provide widespread ambient lighting!



The fixture provides 360° horizontal rotation and 90° vertical aiming, and it is designed with vertical aiming scales and locking set screws. It is compatible with Juno Trac-Master® or Trac-Lites™ track systems, and it is also available with optional alternate mounting adapters for use on the most frequently encountered competitor track systems.







## Ordering Information

T1050L  
T1051L  
T1052L  
T1053L  
T1054L



T1056L  
T1058L



### TRAC-MASTER® Narrow Profile LED Wall Wash Track Fixture

Ordering Examples: T1054L 30K 90CRI PDIM WH, T1058L HTEK 35K 80CRI OFF BL CPL

Series	Mounting Adapter Type	Color Temperature	Color Rendering Index	Dimming Compatibility	Finish	Factory-Installed Lens Option
<b>T1050L</b> 12W, 1700lm LED Wall Wash	<b>(Blank)</b> Juno Universal 120V Track Adapter	<b>27K</b> 2700K	<b>80CRI</b> 80CRI	<b>OFF<sup>1</sup></b> On/Off (Non- Dimming)	<b>BL</b> Black	<b>CPL</b> Clear Polycarbonate Lens
<b>T1051L</b> 16W, 2300lm LED Wall Wash	<b>HTEK<sup>1</sup></b> HTEK 277V Track Adapter	<b>30K</b> 3000K	<b>90CRI</b> 90CRI	<b>PDIM</b> Phase Dimmable	<b>SL</b> Silver	<b>DIFF</b> Diffusion Lens
<b>T1052L</b> 22W, 3200lm LED Wall Wash	<b>TEK<sup>2</sup></b> TEK 120V Track Adapter	<b>35K</b> 3500K	<b>40K</b> 4000K		<b>WH</b> White	
<b>T1053L</b> 26W, 3700lm LED Wall Wash	<b>GTYPE</b> G-Type Track Adapter					
<b>T1054L</b> 30W, 4200lm LED Wall Wash	<b>HTYPE</b> H-Type Track Adapter					
<b>T1056L</b> 38W, 5200lm LED Wall Wash	<b>LTYPE</b> L-Type Track Adapter					
<b>T1058L</b> 45W, 6300lm LED Wall Wash						

#### Accessories

**CGF RECT3 CLEAR**  
Clear Polycarbonate Lens

**DIFF RECT3**  
Diffusion Lens

**UVF RECT3**  
UV Lens

**HCLBL RECT3**  
Hexagonal Cell Louver

**EYEBROWBL RECT3**  
Eyebrow - Black

**EYEBROWWH RECT3**  
Eyebrow - White

**SNOOTBL RECT3**  
Snoot - Black

**TBDR BLCK RECT3**  
Barn Doors - Black

**T40N<sup>3</sup>**  
Monopoint Canopy

1. HTEK versions available with OFF option only, and OFF option available with HTEK versions only.

2. TEK adapter is black on silver finish fixtures.

3. Add finish code to complete catalog number (Example: T40N WH).